



*Quickly*

- N - S - L  
- CAVALLINO  
- T - TT

S P A R E P A R T S L I S T

EDITION JUNE 1960

**NSU (GREAT BRITAIN) LTD.**  
134—136, KING STREET  
HAMMERSMITH, LONDON W 6

## Supply of spare parts · List of Order Numbers. →

Group

E N G I N E

*Quickly* - 2 Gears

Engine, Crankcase, Cylinder	00 / 01 / 02
Flywheel assy, Transmission, Clutch	04 / 10 / 13
Carburettor, Electrical equipment (engine), Air cooling	16 / 17 / 19

*Quickly* - 3 Gears

Engine, Crankcase, Cylinder	00 / 01 / 02
Flywheel assy, Transmission, Clutch	04 / 10 / 13
Carburettor, Electrical equipment (engine), Air cooling	16 / 17 / 19

C H A S S I S

*Quickly* - N - S

Frame, Mudguards, Centre stand, Luggage-carrier, Saddle	31 / 33 / 34 / 35 / 36 / 38
Spring fork, Handlebar, Bowden cables	41 / 43 / 44
Front wheel, Rear wheel, Rear brake linkage, Chain drive and Cover	51 / 52 / 53 / 54
Exhaust system, Fuel tank, Electrical equipment (chassis)	71 / 72 / 81
Tools, Speedometer	91 / 92

C H A S S I S

*Quickly* - L

Frame, Swinging fork, Front mudguard, Centre stand, Saddle	31 / 32 / 33 / 35 / 38
Spring fork, Handlebar, Bowden cables	41 / 43 / 44
Front wheel, Rear wheel, Rear brake linkage, Chain drive and Cover	51 / 52 / 53 / 54
Exhaust system, Fuel tank, Electrical equipment (chassis)	71 / 72 / 81
Tools, Speedometer, Special equipment/optional	91 / 92 / 93

C H A S S I S

*QUICKLY Cavallino*

Frame, Swinging fork, Mudguards, Centre stand, Saddle	31 / 32 / 33 / 34 / 35 / 38
Spring fork, Handlebar, Bowden cables	41 / 43 / 44
Front wheel, Rear wheel, Rear brake linkage, Chain drive and Cover	51 / 52 / 53 / 54
Exhaust system, Fuel tank, Electrical equipment, (chassis)	71 / 72 / 81
Tools, Speedometer, Special equipment/optional	91 / 92 / 93

C H A S S I S

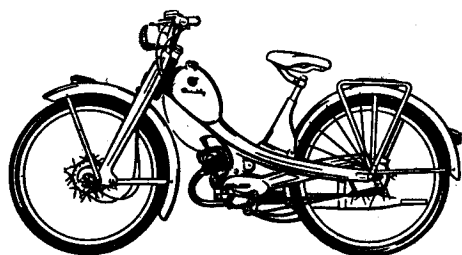
*Quickly* - T

Frame, Rear fork, Front mudguard, Centre stand, Carrier for Rear cowling (Luggage carrier) Footrests, Saddle	31 / 32 / 33 / 35 / 36 / 37 / 38
Body, Spring fork, Handlebar, Bowden cables	39 / 41 / 43 / 44
Front wheel, Rear wheel, Rear brake linkage, Chain drive and Cover, Front and Rear wheel suspension	51 / 52 / 53 / 54 / 56 / 57
Accessories, Exhaust system, Fuel tank, Electrical equipment, (chassis)	66 / 71 / 72 / 80 / 81
Tools, Speedometer, Special equipment,	91 / 92 / 93

C H A S S I S

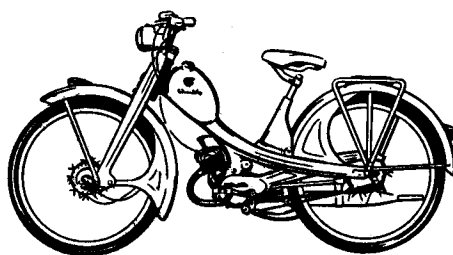
*Quickly* - TT

Frame, Rear fork, Front mudguard, Centre stand, Footrests, Saddle	31 / 32 / 33 / 35 / 37 / 38
Body, Spring fork, Handlebar, Bowden cables	39 / 41 / 43 / 44
Front wheel, Rear wheel, Rear brake linkage, Chain drive and Cover, Front and Rear wheel suspension	51 / 52 / 53 / 54 / 56 / 57
Accessories, Exhaust system, Fuel tank, Electric cables, Electrical equipment, (Headlamp, Taillamp)	66 / 71 / 72 / 80 / 81
Tools, Speedometer, Special equipment	91 / 92 / 93



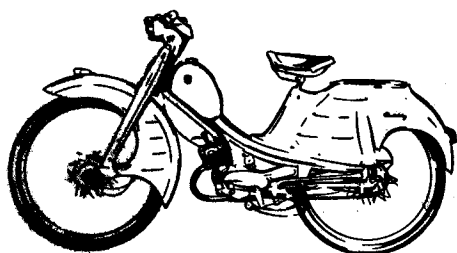
*Quiccky - N*

from frame/engine **000 001 / 000 001**



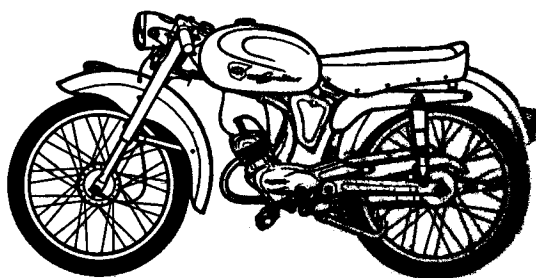
*Quiccky - S*

from frame/engine **360 030 / 380 173**



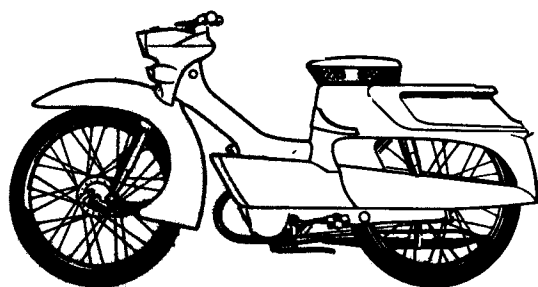
*Quiccky - L*

from frame/engine **530 211 / 576 197**



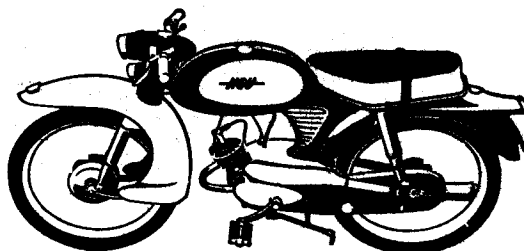
**QUICCKY** *Cavallino*

from frame/engine **668 411 / 704 717**



*Quiccky - T*

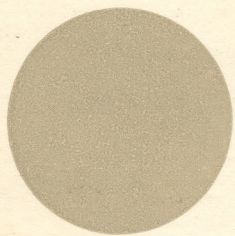
from frame/engine **2 900 001 / 2 900 041**



*Quiccky - TT*

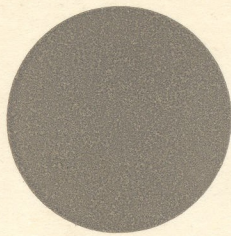
from frame/engine **3 900 001 / 3 900 001**

# NSU - QUICKLY - Colour chart

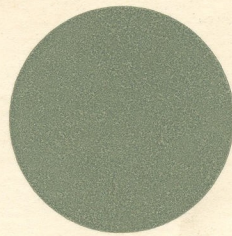


**513** (80)  
Light grey

Dual-tone colour scheme: Light grey/Dove grey **513** (70)

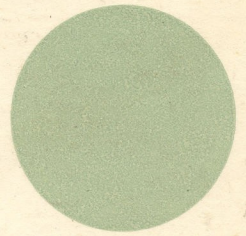


**514** (81)  
Dove grey

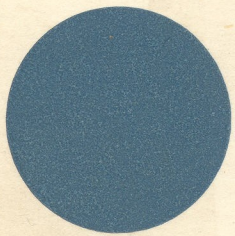


**406** (57)  
Jade green

Dual-tone colour scheme : Jade green/Pale green **406** (57)

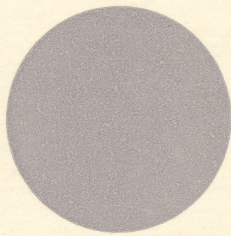


**411** (84)  
Pale green

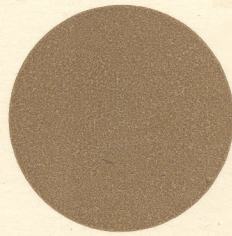


**310** (73)  
Lido blue

Dual-tone colour scheme: Lido blue/Pearl grey **310** (73)

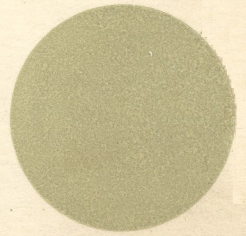


**511** (85)  
Pearl grey

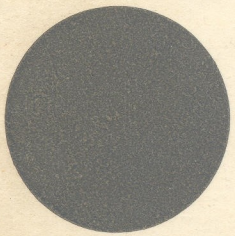


**210** (74)  
Virginia brown

Dual-tone colour scheme: Virginia brown/Isar sand **210** (74)

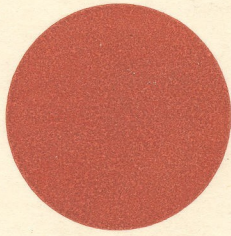


**412** (86)  
Isar sand

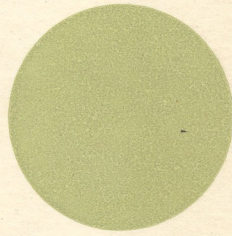


**512** (83)  
Whale grey

Dual-tone colour scheme: Whale grey/Coral red **512** (75)

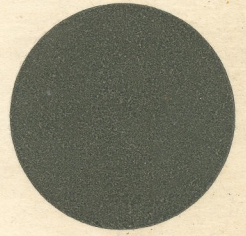


**207** (75)  
Coral red

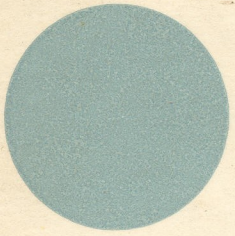


**408** (112)  
Lind green

Dual-tone colour scheme: Lind green/Moss green **408**

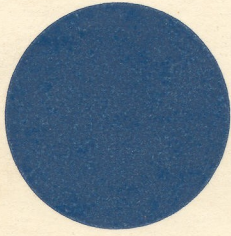


**410** (111)  
Moss green

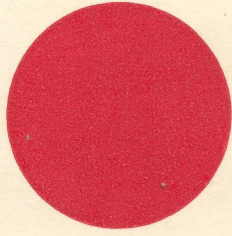


**308** (114)  
Rhodos blue

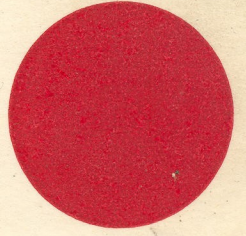
Dual-tone colour scheme: Rhodos blue/Royal blue **308**



**309** (113)  
Royal blue



**208** (76)  
Cavallino red



**213**  
Alfa red II

**810** (10)  
Chromium-plated

**590** (31)  
Black

Ordering components use the given dual tone colour scheme numbers. For varnish use the shade numbers given underneath the illustrated paints. The numbers given in brackets symbolise the formerly common shade numbers.

## Instructions for ordering spare parts

This Spare Parts List contains the **Order Numbers** and the **Description** of all the genuine Spare Parts that are available for the NSU-QUICKLY, and they are also **illustrated**.

The parts are listed according to the Groups to which they belong (see first page and also thumb index).

The information in the numbered columns is as follows:

- Column 1 = Part No.
- Column 2 = Quantity req'd.
- Column 3 = Remarks
- Column 4 = Fig. No.

One or more **vertical arrows after the Part No.** indicate the items included in **complete assemblies**. Where the arrow is interrupted (—), the part concerned is not included in the assembly.

### Ordering Spare Parts

Please do not use the orders for other messages or when making enquiries.

#### An Order for Spare Parts must give:

1. The full address of the person or firm ordering and the date.
2. The way the parts are to be sent, and, if by rail, the nearest railway station.
3. The complete Order Numbers (as given in the Spare Parts List).
4. The quantity required.
5. The correct description of the parts (as given in the Spare Parts List).
6. For painted parts in addition to the Order No. give the Code Number for the finish required:

Chromium-plated	= 810 (10)
Black	= 590 (31)
Dual-tone: Light grey — Dove grey	= 513 (70)
Dual-tone: Jade green — Pale green	= 406 (57)
Dual-tone: Lido blue — Pearl grey	= 310 (73)
Dual-tone: Virginia brown — Isar sand	= 210 (74)
Dual-tone: Whale grey — Coral red	= 512 (75)
Dual-tone: Lind green — Moss green	= 408
Dual-tone: Rhodos blue — Royal blue	= 308
Dual-tone: Cavallino red	= 208 (76)
Dual-tone: Alfa red II	= 213

(See colour chart)

7. When ordering parts for a specific machine, quote not only the Frame No. and the Engine No., but also the Type (N, S, L, Cavallino, T or TT).
8. Signature of the person ordering.

A short horizontal arrow **in front of** the Vehicle No. in the „Remarks“ column indicates **up to Vehicle No.** A short horizontal arrow **after** the Vehicles No. in the „Remarks“ column indicates **from Vehicle No.**

This description of all the Spare Parts is preceded by an **Order No. Index**, in which the Order Nos. which commence with a three-figure group are first listed in numerical order (without reference to the initial group). These are followed by the parts that commence with 11, 16, 19, 26, 29, 35, 39, or 40, and finally there are the parts made to DIN Standards listed according to the DIN numbers and their dimensions. Against each Order No. is shown the **page** on which the description and illustration of the part concerned will be found.

**Alterations to Spare Parts** must be taken into consideration. They are circulated to NSU Dealers in the **NSU Service Information Bulletins**, so that it is always possible to keep the Spare Parts Lists up to date.

If at some prior date the machine has been **repaired**, and major components have been fitted which differ from those originally employed, please take this into consideration when ordering Spare Parts. In case of doubt send a sample or a sketch.

#### Conditions of Supply:

Goods are always **sent C. O. D.** unless paid for in advance.

Apart from items supplied in the original carton, all prices refer to goods supplied unpacked. The packing will be charged for at cost, and is non-returnable. Any **complaints** to the supplier should be made within 8 days of receipt of the goods, enclosing the delivery note.

#### Special Note:

All genuine NSU Spare Parts are made to the same specifications as the NSU machines, and are subjected to the same examination and tests. The use of **Genuine NSU Spare Parts** ensures therefore that the correct materials are employed and that the specified dimensions are maintained.

London, June 1960

NSU (GREAT BRITAIN) Ltd.

**NSU (GREAT BRITAIN) LTD.**

134—136, KING STREET

**HAMMERSMITH, LONDON W 6**

Telephone: Riverside 2080 (9 lines) Telegrams and Cables: ENESU LONDON

Telex: 25445

Registered Office: 7, Chesterfield Gardens, London W 1

# List of Order Numbers

This list includes all the spare parts numbers in the spare parts list.

Order No.	page	Order No.	page	Order No.	page	Order No.	page
035 044 998	51	041 404 134	60	11 39 00 009	68, 99	16 01 00 038	1, 18
024 049 962	39, 59, 87, 103	041 410 090	11, 12, 15, 28, 29	11 39 00 029	102	16 01 00 039	1, 18
034 049 991	71, 72	041 410 091	11, 12, 15, 28, 29	11 39 00 066	99	16 01 00 040	19
035 052 368	76, 78	041 410 523	12, 13, 15, 28, 29, 30	11 40 00 031	68, 86	16 01 00 046	19
011 055 770	3, 20	043 411 209	37	11 44 00 032	81	16 01 00 047	1, 18
59 252	65	044 412 131	37, 38, 59, 87, 103	11 44 00 910	60, 61, 88	16 01 00 050	20
125 059 963	51, 80, 94, 99, 108	044 413 608	40, 42, 73, 104	11 44 20 992	88	16 01 00 402	19
534 080 054	33, 34, 57	045 414 027	7	11 53 00 002	59, 65, 75, 80	16 01 00 500	2
534 080 055	33, 34, 57	073 771 032	98	11 53 00 819	51, 65, 75, 80, 94, 108	16 01 01 500	19
534 080 396	33	073 772 030	53, 66	11 55 00 731	7, 24	16 01 00 501	3, 20
535 083 170	7, 24	074 742 006	39, 59, 87, 103	11 81 00 864	31	16 01 01 501	3, 20
535 083 635	7, 24	074 743 606	60	11 91 00 600	55, 67, 83, 99, 113	16 01 01 502	2
533 085 385	35, 58, 70	074 743 618	40	11 91 00 601	55, 67, 83, 99, 113	16 01 02 502	19
011 095 858	4, 21	075 751 030	91, 93, 106	16 00 01 903	1	16 01 00 504	2
018 096 618	86	075 751 601	64	16 00 02 903	18	16 01 01 504	19
016 096 826	82	075 751 603	44, 46, 47, 49, 63	16 00 90 907	18	16 01 00 505	3, 20
034 097 150	7	075 752 027	2	16 01 02 004	2	16 01 90 509	20
011 098 150	11, 12, 15, 28, 29	075 753 506	51	16 01 00 005	2	16 01 00 601	20
011 098 151	11, 12, 28, 29	075 754 021	94, 108	16 01 00 007	2	16 01 00 900	3
012 098 209	5, 22	081 802 089	4, 21	16 01 00 008	3, 20	16 01 01 900	20
015 099 180	44	083 871 012	1, 18	16 01 00 009	3, 20	16 01 00 901	2
034 099 167	18, 104	084 844 015	75	16 01 00 011	3	16 01 01 901	19
035 099 491	51, 80	083 834 017	56	16 01 00 014	3	16 02 00 004	4, 21
025 100 655	51, 80, 94, 108	083 872 018	81	16 01 01 014	20	16 02 01 004	4
025 103 290	91, 106	083 874 033	99	16 01 00 015	3	16 02 00 005	4, 21
024 103 441	39	091 901 032	3	16 01 01 015	20	16 02 00 006	4, 21
025 103 744	90, 92, 93, 107	11 13 00 780	40, 42, 73, 104	16 01 00 017	3, 20	16 02 00 007	4, 21
023 103 927	33, 56, 84, 100	11 16 00 024	99	16 01 01 022	2	16 02 00 008	4, 21
024 103 928	39, 59, 87, 103	11 16 00 030	100	16 01 00 025	2, 19	16 02 01 004	21
024 103 929	39, 59, 87, 103	11 17 00 068	14, 16, 31	16 01 00 026	2	16 02 01 008	4, 21
025 104 183	77, 79, 90, 91, 92, 93, 106, 107	11 17 10 912	14, 31	16 01 01 026	19	16 02 00 009	4, 21
023 104 269	53, 66, 81, 97, 111	11 17 10 916	13, 30	16 01 00 027	3	16 02 00 010	4, 21
026 104 311	82	11 17 10 923	14, 31	16 01 01 027	20	16 02 01 013	4, 21
028 104 762	58	11 17 10 993	4, 7, 14, 21, 24, 31	16 01 00 028	2, 3, 19, 20	16 02 00 015	4, 21
028 104 992	99, 113	11 17 10 994	13, 30	16 01 00 032	3, 20	16 02 00 016	4, 21
021 105 512	3, 6, 20, 90, 92	11 17 10 996	14, 31	16 01 00 033	3, 20	16 02 00 500	4, 21
024 106 412	60, 88	11 17 10 997	14, 31	16 01 00 034	3, 20	16 02 01 500	21
014 106 433	40, 42, 73, 104					16 02 00 501	4, 21
011 109 070	14, 31					16 02 01 501	4, 21
033 109 155	53, 66, 81, 111					16 02 00 502	4, 5, 21, 22
123 109 912	58					16 02 01 502	21, 22
014 110 027	88						
126 110 414	98, 112						
041 401 140	8, 25						

Order No.	page	Order No.	page	Order No.	page	Order No.	page
16 04 02 011	5,22	16 10 00 058	6	16 16 01 006	10,27	16 17 00 502	13
16 04 00 013	5,22	16 10 00 059	6	16 16 03 008	10,27	16 17 01 502	13
16 04 00 014	5,22	16 10 00 401	6	16 16 01 008	27	16 17 00 503	11,28
16 04 00 015	5,22	16 10 01 401	6	16 16 00 009	10	16 17 01 503	12,29
16 04 00 016	5,22	16 10 02 401	23	16 16 01 009	10,27	16 17 01 504	13,30
16 04 00 017	5,22	16 10 00 402	7,24	16 16 00 014	10	16 17 02 504	13,30
16 04 01 502	5,22	16 10 01 501	6	16 16 00 017	10,27	16 17 00 507	14,16,31
16 04 00 503	5,22	16 10 01 502	6	16 16 00 018	10,27	16 17 00 900	11,14,28,31
16 04 02 504	5,22	16 10 02 502	23	16 16 00 019	10,27	16 17 01 900	11,12,14,28,29,31
16 04 00 600	5,22	16 10 00 503	6	16 16 00 022	27	16 17 10 901	14,31
16 04 01 901	5,22	16 10 01 503	23	16 16 00 023	27	16 17 10 903	13
		16 10 00 504	7	16 16 01 504	9	16 17 11 903	13,30
16 10 01 003	6	16 10 00 507	6	16 16 02 504	9,26	16 17 10 904	13,30
16 10 00 004	6	16 10 01 507	6	16 16 00 901	9	16 17 12 904	13,30
16 10 01 004	6	16 10 02 507	23	16 16 01 901	9,26	16 17 10 905	11,12,13,15,28,29,30
16 10 03 005	23	16 10 00 508	23	16 16 00 902	9,26	16 17 10 906	13,30
16 10 00 007	6,23			16 16 00 903	9,26	16 17 10 907	13,30
16 10 00 009	6	16 13 00 006	8,25	16 16 00 904	9	16 17 10 908	13,30
16 10 01 009	6,23	16 13 00 007	8,25	16 16 01 904	9,26	16 17 10 909	13,30
16 10 02 009	6	16 13 00 008	8,25	16 16 00 905	9	16 17 10 910	14,31
16 10 00 010	6,23	16 13 00 011	8,25	16 16 01 905	9,26	16 17 10 911	14,31
16 10 00 011	7	16 13 00 012	8,25	16 16 02 905	26	16 17 10 912	14,31
16 10 02 011	23	16 13 00 013	8,25	16 16 00 906	9,26	16 17 10 913	14,31
16 10 00 012	6	16 13 00 014	8,25	16 16 00 907	9,26	16 17 12 913	14,31
16 10 02 012	23	16 13 00 016	8,25	16 16 00 908	9,26	16 17 10 915	14
16 10 00 013	7,23	16 13 00 501	8,25	16 16 00 909	9	16 17 11 915	14
16 10 01 014	7,24	16 13 00 502	8,25	16 16 01 909	9,26	16 17 10 916	13,30
16 10 03 014	7,24	16 13 00 503	8,25	16 16 00 910	9,26	16 17 00 919	11
16 10 04 014	7,24	16 13 00 504	8,25	16 16 03 911	9,26	16 17 00 920	11,28
16 10 00 015	6	16 13 00 600	8,25	16 16 00 912	9,26	16 17 01 920	12,29
16 10 01 015	23			16 16 00 913	9,26	16 17 00 921	11
16 10 00 016	7,24	16 14 00 002	7	16 16 00 914	9,26	16 17 00 922	11,28
16 10 00 017	7,24	16 14 00 005	7	16 16 00 915	9,26	16 17 01 922	12,29
16 10 00 019	7,23	16 14 01 005	7	16 16 00 916	9	16 17 00 924	11,12,13,28,29-30
16 10 00 022	6,23	16 14 00 006	7	16 16 01 916	9,26	16 17 00 925	11,12,28,29
16 10 00 025	7,23	16 14 00 007	7	16 16 00 917	9,26	16 17 00 926	11,12,28,29
16 10 00 026	7,24	16 14 00 014	24	16 16 00 918	9	16 17 00 927	11,12,14,15,28,29,31
16 10 00 027	6	16 14 00 015	24	16 16 01 918	9,26	16 17 00 928	11,12,28,29
16 10 00 028	6	16 14 00 017	24	16 16 00 919	9,26	16 17 00 929	11,12,28,29
16 10 00 029	6	16 14 00 021	24	16 16 00 920	9	16 17 00 930	11
16 10 00 031	6	16 14 00 501	7	16 16 01 920	9,26	16 17 00 931	11,28
16 10 00 033	6	16 14 00 503	24	16 16 00 923	9,26	16 17 01 931	12,29
16 10 00 035	6	16 14 00 504	24	16 16 01 924	9,26	16 17 10 932	13
16 10 00 036	6,23	16 14 00 505	7	16 16 00 925	9,26	16 17 11 932	13,30
16 10 00 042	23			16 16 00 926	9,26	16 17 00 933	11,28
16 10 01 043	23	16 16 00 002	10	16 16 00 927	9,26	16 17 01 933	12,29
16 10 01 044	23	16 16 00 003	10	16 16 00 928	26	16 17 10 932	13
16 10 00 045	23	16 16 01 003	10			16 17 11 932	13,30
16 10 00 047	6,23	16 16 00 004	10	16 17 00 002	14,31	16 17 00 933	11,28
16 10 00 048	23	16 16 00 005	10	16 17 00 004	14,16,31	16 17 01 933	12,29
16 10 00 057	6	16 16 00 006	10,27	16 17 00 501	11	16 17 00 936	12,29

Order No.	page	Order No.	page	Order No.	page	Order No.	page
16 31 00 019	33, 56	16 32 90 904	80	16 38 00 502	33	16 41 00 056	38
16 31 00 020	33, 56	16 32 90 905	69	16 38 01 504	33	16 41 01 056	38, 59, 87, 103
16 31 00 023	33	16 32 90 906	69	16 38 90 505	70	16 41 00 064	38, 59
16 31 00 030	33			16 38 00 900	33	16 41 00 080	38, 59, 87, 103
16 31 00 038	33, 56	16 33 00 010	35, 58, 84	16 38 00 901	34, 57	16 41 00 081	38, 59, 87, 103
16 31 00 058	56	16 33 00 502	35	16 38 00 902	34, 57	16 41 00 083	38 59
16 31 00 061	56	16 33 00 503	35	16 38 00 903	34, 57	16 41 00 086	39, 59
16 31 00 062	56	16 33 00 504	35	16 38 00 904	34	16 41 00 087	35, 38, 56, 59, 61
16 31 00 066	56	16 33 02 504	35	16 38 01 904	57	16 41 00 088	37, 38
16 31 00 070	33, 56	16 33 04 504	58	16 38 00 905	34	16 41 01 088	39, 59
16 31 00 071	56	16 33 01 505	35	16 38 01 905	57	16 41 00 089	59
16 31 00 073	56	16 33 02 505	35	16 38 00 906	34	16 41 00 090	59
16 31 00 076	56	16 33 03 505	58	16 38 01 906	57	16 41 00 091	59
16 31 00 078	56	16 33 90 510	70	16 38 00 907	34, 57	16 41 90 095	72
16 31 00 079	56	16 33 90 901	70	16 38 00 908	34	16 41 90 096	72
16 31 00 086	56	16 33 90 902	70	16 38 00 909	34	16 41 90 097	72
16 31 00 087	56, 70			16 38 00 910	34	16 41 90 098	72
16 31 00 089	56	16 34 00 011	36	16 38 00 911	34, 57	16 41 00 401	37
16 31 00 091	56, 101	16 34 00 019	36, 56	16 38 00 912	34	16 41 00 402	71
16 31 90 092	69	16 34 00 020	36	16 38 00 913	34	16 41 00 508	37
16 31 02 501	33	16 34 00 021	35	16 38 01 913	57	16 41 01 508	38
16 31 00 510	33	16 34 00 503	35	16 38 00 914	34	16 41 02 508	38, 59
16 31 00 516	56	16 34 00 504	35	16 38 01 914	57	16 41 00 509	37
16 31 00 521	56	16 34 00 505	36	16 38 00 915	34	16 41 01 509	38
16 31 00 530	56	16 34 00 508	35	16 38 01 915	57	16 41 00 513	38, 59
16 31 00 531	56	16 34 00 509	35	16 38 00 916	34, 57	16 41 00 515	39, 59
16 31 00 532	56	16 34 01 509	35	16 38 00 917	57	16 41 00 516	59
16 31 00 900	33, 56	16 34 00 510	35	16 38 90 918	70	16 41 90 517	71
16 31 00 901	33	16 34 01 510	35	16 38 90 919	70	16 41 91 517	71
16 31 01 901	56	16 34 90 901	70	16 38 90 920	70	16 41 93 517	72
16 31 90 902	69	16 34 90 902	70	16 38 90 921	70	16 41 90 519	71
16 31 90 903	69			16 38 90 922	70	16 41 91 521	72
16 31 90 904	69	16 35 00 010	35, 58, 64	16 38 90 924	70	16 41 91 522	71
		16 35 00 013	35, 58			16 41 90 523	72
16 32 00 008	57	16 35 00 503	35	16 41 00 010	37, 38	16 41 90 524	72
16 32 00 012	57	16 35 01 503	58	16 41 01 010	37, 38	16 41 90 525	72
16 32 00 016	57	16 35 01 504	35, 58	16 41 03 010	39	16 41 90 527	72
16 32 00 017	57	16 35 90 505	69	16 41 04 010	39, 57, 59	16 41 90 528	72
16 32 00 019	57	16 35 90 900	69	16 41 00 012	37, 38	16 41 90 530	72
16 32 00 022	57	16 35 90 901	69	16 41 00 041	37	16 41 00 900	37
16 32 00 027	57			16 41 00 045	37, 38, 59, 87, 113	16 41 02 900	38
16 32 00 029	57	16 38 00 001	34	16 41 02 046	39	16 41 03 900	38
16 32 00 030	57	16 38 00 002	34	16 41 01 048	39	16 41 04 900	59
16 32 00 502	57	16 38 00 003	33	16 41 02 048	59	16 41 00 901	37
16 32 00 504	57	16 38 00 004	33	16 41 00 050	37, 39, 57, 59	16 41 02 901	38
16 32 00 506	57	16 38 00 016	33	16 41 00 051	39, 87, 103	16 41 03 901	38, 59
16 32 00 509	57	16 38 00 017	34	16 41 00 053	38	16 41 00 902	37
16 32 00 511	69	16 38 01 019	34, 57	16 41 00 054	39, 59	16 41 90 904	71
16 32 90 900	69	16 38 00 501	33	16 41 00 055	39, 59, 87, 103		
16 32 90 901	69	16 38 01 501	34				
16 32 90 903	69	16 38 02 501	57				



Order No.	page	Order No.	page	Order No.	page	Order No.	page
16 41 90 905	71, 72	16 44 00 001	43	16 44 00 901	40	16 44 00 930	62, 75
16 41 90 906	71	16 44 01 001	43, 62	16 44 01 901	40	16 44 00 931	43, 89, 105
16 41 90 907	71	16 44 01 002	43, 62	16 44 02 901	60, 88		
16 41 90 908	71, 72	16 44 00 003	43	16 44 03 901	40, 42, 73, 104	16 51 00 001	48
16 41 90 909	71, 72	16 44 01 003	43, 62, 65, 75	16 44 00 902	40, 42, 73, 104	16 51 01 001	44
16 41 91 911	71	16 44 00 008	43	16 44 00 903	40, 42, 73, 88, 104	16 51 00 009	45
16 41 90 912	71	16 44 00 021	43, 75, 105	16 44 00 904	40, 41, 42, 74, 104	16 51 00 017	45
16 41 90 913	71	16 44 00 023	43, 62, 75, 89, 105	16 44 01 904	40, 42, 61, 73, 104	16 51 02 017	46, 63
16 41 91 915	71	16 44 00 025	43, 62, 75, 89, 104	16 44 02 904	60, 88	16 51 00 023	44, 46, 47, 49, 63, 64, 77, 79
16 41 90 916	72	16 44 00 029	40	16 44 00 905	40	16 51 00 025	44, 46, 48, 63
16 43 00 001	41, 42	16 44 00 039	43, 62	16 44 01 905	40	16 51 03 025	77
16 43 01 002	40, 42	16 44 00 040	43, 62	16 44 02 905	61	16 51 01 027	44, 48
16 43 00 003	60	16 44 00 041	43, 62	16 44 03 905	61	16 51 03 027	46, 49, 63, 64, 77, 79
16 43 00 032	61	16 44 01 041	43, 62	16 44 04 905	42, 73, 104	16 51 00 028	45
16 43 00 035	61	16 44 00 042	43, 62	16 44 00 906	41	16 51 02 028	46, 63
16 43 00 036	67	16 44 00 046	89	16 44 01 906	41	16 51 03 028	77
16 43 00 037	67	16 44 00 049	62, 75, 89	16 44 02 906	61	16 51 00 030	44, 48
16 43 00 038	60	16 44 00 056	43, 62, 75, 89, 105	16 44 03 906	61	16 51 03 030	46, 49, 63, 64, 77, 79
16 43 00 047	59	16 44 00 501	43	16 44 04 906	42, 74, 104	16 51 00 035	44
16 43 00 049	54	16 44 02 501	43	16 44 00 907	41	16 51 01 035	46, 63, 77
16 43 00 050	41, 42	16 44 03 501	62	16 44 01 907	61, 88	16 51 00 036	45, 46, 63, 77, 79
16 43 01 501	40	16 44 00 502	43, 75	16 44 02 907	42, 74, 104	16 51 01 036	48, 50, 64
16 43 02 501	40	16 44 01 502	62	16 44 00 908	41, 42, 61, 74, 88, 104	16 51 00 043	44, 46, 48, 49, 63, 64, 77, 79
16 43 06 501	42	16 44 00 503	43	16 44 00 909	41, 42, 74, 104	16 51 00 044	44, 46, 47, 49, 63, 64, 77, 79
16 43 00 502	40	16 44 02 503	43	16 44 01 909	61	16 51 00 045	44, 46, 47, 49, 63, 64, 77, 79
16 43 01 502	40	16 44 03 503	62	16 44 03 909	88	16 51 00 054	44, 46, 48, 49, 63, 64, 77, 79
16 43 02 502	40	16 44 04 503	62	16 44 00 910	41, 42, 61, 74, 88, 104	16 51 01 054	46, 49, 63, 64, 64, 77, 79
16 43 03 502	40, 42, 73	16 44 05 503	43, 75	16 44 00 911	40, 42, 73, 104	16 51 00 078	76, 77, 78, 79
16 43 01 503	40	16 44 00 504	43	16 44 00 913	41, 42, 73, 104	16 51 00 502	44
16 43 02 503	42, 73, 104	16 44 01 504	43, 89, 105	16 44 00 916	41, 42, 74, 104	16 51 01 502	46, 63, 77
16 43 00 510	60, 98, 112	16 44 02 504	62	16 44 00 920	40	16 51 04 503	46, 63, 77
16 43 00 514	61	16 44 00 505	41, 42	16 44 00 921	40	16 51 01 507	44
16 43 01 514	61	16 44 00 509	43	16 44 01 921	60, 88	16 51 03 507	46
16 43 00 515	60	16 44 01 509	43	16 44 02 921	40, 42, 73, 104	16 51 04 507	63
16 43 01 515	60	16 44 02 509	62	16 44 00 923	41, 42, 74, 104	16 51 00 509	48
16 43 00 519	60	16 44 00 511	89	16 44 01 923	61	16 51 01 509	44
16 43 00 520	61	16 44 00 512	105	16 44 00 925	61	16 51 02 509	46, 49, 63, 64, 77, 79
16 43 01 521	60	16 44 00 513	75	16 44 00 926	61	16 51 00 511	44
16 43 00 522	60	16 44 00 515	75	16 44 00 927	61	16 51 02 511	46, 63, 77
16 43 90 524	73	16 44 00 516	75	16 44 00 929	40, 42, 73, 104	16 51 01 515	44, 47
16 43 91 524	73	16 44 00 518	62				
16 43 90 526	73	16 44 00 519	43, 75				
16 43 91 526	73	16 44 00 520	75				
16 43 90 527	73	16 44 00 900	40				
16 43 91 527	73	16 44 01 900	40				
16 43 90 900	73	16 44 02 900	40				
16 43 91 900	73	16 44 03 900	60				
16 43 90 901	73	16 44 04 900	40, 42, 73				
16 43 91 901	73						
16 43 90 902	73						
16 43 90 903	73						

Order No.	page	Order No.	page	Order No.	page	Order No.	page
16 51 00 517	44	16 52 03 021	49, 64, 79	16 52 90 912	78	16 71 01 005	52
16 51 01 517	46	16 52 03 026	46, 49, 63, 64, 77, 79	16 52 90 913	76, 78	16 71 02 005	66, 81, 111
16 51 02 517	63	16 52 00 031	47	16 52 90 914	76, 78	16 71 00 006	52, 66, 81, 97, 111
16 51 00 518	44	16 52 01 034	46, 49, 63, 64, 77, 79	16 52 90 915	78	16 71 02 008	52, 97
16 51 01 518	46	16 52 00 036	44, 46, 47, 49, 63, 64	16 52 90 916	78	16 71 03 008	66, 81, 111
16 51 02 518	63	16 52 00 037	44, 46, 47, 49, 63, 64, 77, 79	16 52 90 917	76, 78	16 71 00 009	52
16 51 90 521	76	16 52 00 038	44, 46, 47, 49, 63, 64	16 52 90 918	76, 78	16 71 01 009	52, 66, 81, 97, 111
16 51 90 523	77	16 52 00 043	68	16 52 90 919	76, 78	16 71 00 502	52
16 51 90 525	77	16 52 01 043	46, 49, 63, 64, 77, 79, 91, 93, 106, 107	16 52 90 920	78	16 71 01 502	52
16 51 01 900	44	16 52 01 044	49, 64, 79	16 52 90 921	76, 78	16 71 02 502	52, 97
16 51 02 900	46	16 52 00 045	49, 56, 64, 79	16 52 90 922	78	16 71 03 502	66, 81
16 51 03 900	63, 77	16 52 00 046	49, 64, 79	16 52 90 923	78	16 71 00 503	52
16 51 00 902	44	16 52 00 049	49, 64	16 52 90 924	78	16 71 00 504	52
16 51 90 904	76	16 52 01 049	79	16 52 90 925	78	16 71 00 505	52
16 51 90 905	76, 78	16 52 00 055	46, 49, 63, 64	16 52 90 926	78	16 71 02 505	52, 66, 81, 97
16 51 90 906	76, 78	16 52 00 056	44, 46, 47, 49	16 52 90 927	78	16 71 00 506	52
16 51 91 906	77, 79	16 52 00 058	79	16 52 90 928	76, 78	16 71 00 600	52
16 51 90 907	76	16 52 02 508	47	16 52 90 929	79		
16 51 90 908	76	16 52 03 503	49	16 52 01 049	79		
16 51 90 909	76	16 52 04 508	64	16 52 00 055	46, 49, 63, 64		
16 51 90 910	76	16 52 00 509	48	16 52 00 056	44, 46, 47, 49		
16 51 90 911	76, 78	16 52 01 509	48	16 52 00 058	79		
16 51 90 912	76, 78	16 52 02 509	49	16 52 02 508	47		
16 51 90 913	76, 78	16 52 03 509	64	16 52 03 503	49		
16 51 90 914	76, 78	16 52 01 518	49	16 52 04 508	64		
16 51 90 915	76, 78	16 52 02 518	64, 79	16 52 00 509	48		
16 51 90 916	76	16 52 00 519	47	16 52 01 509	48		
16 51 90 917	77	16 52 02 519	64	16 52 02 509	49		
		16 52 00 520	47	16 52 03 509	64		
16 52 01 003	48	16 52 01 520	49	16 52 01 518	49		
16 52 03 003	49, 79	16 52 02 520	64	16 52 02 518	64, 79		
16 52 04 003	64	16 52 90 525	78	16 52 00 519	47		
16 52 03 005	49, 64, 79	16 52 90 529	79	16 52 01 519	49		
16 52 00 011	48, 50, 64, 79	16 52 00 531	79	16 52 02 519	64		
16 52 00 014	48	16 52 00 533	79	16 52 00 520	47		
16 52 01 014	50, 64	16 52 00 601	44, 47	16 52 01 520	49		
16 52 02 014	79	16 52 02 900	47	16 52 02 520	64		
16 52 00 015	44, 47	16 52 03 900	49	16 52 90 525	78		
16 52 01 015	44, 46, 47, 49, 63, 64, 77, 79	16 52 04 900	64, 79	16 52 90 529	79		
16 52 00 016	44, 47	16 52 01 903	48	16 52 00 531	79		
16 52 01 016	44, 46, 47, 49, 63, 64, 77, 79	16 52 90 906	76, 78	16 52 00 533	79		
16 52 01 017	44, 47	16 52 90 907	76, 78	16 52 00 601	44, 47		
16 52 02 017	44, 46, 47, 49, 63, 64, 77, 79	16 52 90 908	76, 78	16 52 02 900	47		
16 52 01 018	48, 50, 64	16 52 90 909	76, 78	16 52 03 900	49		
16 52 03 018	79	16 52 90 910	76, 78	16 52 04 900	64, 79		
16 52 01 021	48			16 52 01 903	48		
				16 52 90 906	76, 78		
				16 52 90 907	76, 78		
				16 71 00 001	52, 66, 81, 97, 111		
				16 71 00 002	52, 66, 81, 97, 111		
				16 71 00 005	52		
						16 72 00 003	53
						16 72 01 003	53, 66
						16 72 00 004	53, 66
						16 72 01 007	53, 66
						16 72 00 008	53, 66
						16 72 00 010	53
						16 72 01 010	66
						16 72 00 019	53, 66
						16 72 00 022	53
						16 72 00 023	53
						16 72 00 024	53, 66, 81, 97, 111
						16 72 00 032	53, 66
						16 72 00 033	53, 66
						16 72 01 035	53, 66, 99
						16 72 90 039	81
						16 72 00 501	53
						16 72 01 504	53, 66, 81, 97, 111
						16 72 01 505	53, 66, 81, 111
						16 72 00 508	53, 66
						16 72 90 510	81
						16 72 91 510	81
						16 72 90 516	81
						16 72 00 900	53, 66, 81, 111
						16 72 00 901	53, 66, 81, 97, 111
						16 72 00 902	53, 66, 81, 97, 111
						16 72 00 903	53, 66, 81, 97, 111
						16 72 00 904	53, 66, 81, 97, 111

Order No.	page	Order No.	page	Order No.	page	Order No.	page
16 72 00 905	. . . 53, 66, 81, 97, 111	16 81 01 906	. . . 54, 60, 98, 112	16 81 50 946	. . . 82	16 93 00 509	. . . 68
16 72 90 908	. . . 81	16 81 51 906	. . . 82	16 81 50 947	. . . 82	16 93 01 509	. . . 58
16 73 00 004	. . . 37, 38, 59	16 81 01 907	. . . 54, 60, 98, 112	16 81 50 948	. . . 82	16 93 00 511	. . . 68
16 73 00 007	. . . 38	16 81 51 907	. . . 82	16 91 00 002	. . . 55, 67, 83	16 93 00 512	. . . 68
16 73 00 501	. . . 37	16 81 00 908	. . . 54	16 91 00 003	. . . 55, 67, 83, 99, 113	16 93 00 513	. . . 68
16 73 90 504	. . . 83	16 81 01 908	. . . 60, 98, 112	16 91 00 004	. . . 55, 67, 83	16 93 00 514	. . . 68
16 73 00 900	. . . 37	16 81 51 908	. . . 82	16 91 01 004	. . . 83	16 93 00 515	. . . 68
16 73 03 900	. . . 59	16 81 00 910	. . . 54	16 91 00 005	. . . 55, 67, 83	16 93 01 519	. . . 10, 27, 68
16 73 00 901	. . . 33	16 81 50 910	. . . 82	16 91 00 900	. . . 55, 67, 83	16 93 00 520	. . . 68, 96
16 73 01 901	. . . 38	16 81 00 911	. . . 54, 60	16 91 00 920	. . . 83	16 93 00 900	. . . 68
16 73 90 902	. . . 83	16 81 50 911	. . . 82	16 91 90 920	. . . 83	16 93 00 901	. . . 68
16 73 90 903	. . . 83	16 81 00 912	. . . 54	16 92 00 001	. . . 55	16 93 90 904	. . . 83
16 81 01 001	. . . 82	16 81 51 912	. . . 82	16 92 00 502	. . . 55, 67, 99, 113	16 93 90 906	. . . 83
16 81 01 002	. . . 67	16 81 00 913	. . . 54	16 92 00 503	. . . 55	16 93 00 907	. . . 35
16 81 02 002	. . . 55, 82	16 81 01 914	. . . 54	16 92 01 503	. . . 55, 67	19 41 00 034	. . . 71
16 81 00 003	. . . 54, 61, 71, 98, 112	16 81 52 914	. . . 67	16 92 00 505	. . . 55	19 43 00 009	. . . 60
16 81 00 006	. . . 55, 67	16 81 54 914	. . . 82	16 92 02 505	. . . 55, 67	19 43 00 010	. . . 60
16 81 00 007	. . . 82	16 81 52 915	. . . 54, 67	16 92 90 507	. . . 83	19 43 00 020	. . . 60
16 81 00 008	. . . 67	16 81 54 915	. . . 82	16 92 91 507	. . . 83	19 44 00 013	. . . 62
16 81 00 012	. . . 82	16 81 00 916	. . . 54	16 92 90 508	. . . 83	19 44 00 014	. . . 62
16 81 90 013	. . . 82	16 81 51 916	. . . 67	16 92 90 509	. . . 83	26 32 00 027	86, 87, 103
16 81 02 502	. . . 82	16 81 50 917	. . . 67	16 92 00 905	. . . 55, 67, 99, 113	29 00 00 902	. . . 18
16 81 00 506	. . . 54	16 81 51 918	. . . 67	16 92 91 909	. . . 83	29 01 00 001	. . . 3, 20
16 81 01 506	. . . 61	16 81 00 919	. . . 54	16 92 90 910	. . . 83	29 01 00 502	. . . 19
16 81 90 506	. . . 71	16 81 00 920	. . . 54	16 93 00 004	. . . 35	29 01 01 502	. . . 2
16 81 00 508	. . . 55	16 81 01 920	. . . 54	16 93 02 007	. . . 33, 56	29 01 00 900	. . . 2
16 81 01 508	. . . 67	16 81 51 920	. . . 82	16 93 00 016	. . . 35	29 01 00 901	. . . 19
16 81 00 512	. . . 55	16 81 54 923	. . . 82	16 93 00 031	. . . 68	29 01 00 902	. . . 2
16 81 00 513	. . . 54	16 81 01 924	. . . 98, 112	16 93 00 038	. . . 68	29 01 00 903	. . . 19
16 81 00 514	. . . 54, 67, 98, 112	16 81 02 924	. . . 60	16 93 00 042	. . . 58, 68	29 01 00 904	. . . 20
16 81 01 516	. . . 54	16 81 00 925	. . . 54, 67	16 93 00 044	. . . 58, 68	29 01 00 905	. . . 3
16 81 00 517	. . . 55, 67	16 81 00 927	. . . 54, 112	16 93 00 045	. . . 58, 68	29 02 00 002	. . . 4, 21
16 81 00 520	. . . 67	16 81 00 928	. . . 54	16 93 01 049	. . . 68	29 02 00 003	. . . 4, 21
16 81 00 522	. . . 67	16 81 00 929	. . . 55, 67	16 93 01 050	. . . 68	29 02 00 006	. . . 4, 21
16 81 90 528	. . . 82	16 81 00 931	. . . 54	16 93 00 057	. . . 58, 68, 70, 104, 112	29 02 00 501	. . . 21
16 81 90 529	. . . 82	16 81 50 932	. . . 82	16 93 00 058	. . . 1, 18, 58, 68	29 02 00 503	4, 5, 21, 22
16 81 50 900	. . . 55	16 81 00 933	. . . 60, 98, 112	16 93 00 059	. . . 58	29 02 00 504	. . . 4, 21
16 81 51 900	. . . 67, 82	16 81 50 933	. . . 82	16 93 00 060	. . . 58	29 02 00 505	. . . 4, 21
16 81 51 901	. . . 82	16 81 00 934	. . . 54	16 93 00 064	. . . 68	29 10 00 001	. . . 7, 24
16 81 00 902	. . . 67	16 81 50 934	. . . 82	16 93 00 501	. . . 35	29 10 00 002	. . . 7, 24
16 81 00 903	. . . 54, 112	16 81 50 936	. . . 67	16 93 01 501	. . . 35	29 10 00 003	. . . 6, 23
16 81 00 904	. . . 54	16 81 00 937	. . . 67	16 93 00 502	. . . 68	29 10 00 006	. . . 7, 23
16 81 00 905	. . . 54	16 81 50 938	. . . 67	16 93 01 502	. . . 68, 83, 96, 110	29 10 00 007	. . . 7, 23
16 81 01 905	. . . 54	16 81 50 939	. . . 67	16 93 00 507	. . . 68		
16 81 02 905	. . . 60, 98, 112	16 81 50 940	. . . 67	16 93 01 507	. . . 58		
16 81 52 905	. . . 82	16 81 50 941	. . . 67, 82				
16 81 00 906	. . . 54	16 81 50 942	. . . 67				
		16 81 50 944	. . . 82				
		16 81 50 945	. . . 82				

Order No.	page	Order No.	page	Order No.	page	Order No.	page
29 10 00 008	23	29 35 00 504	85, 101	29 44 00 001	89, 105	29 51 00 910	90
29 10 01 008	6	29 35 01 505	101	29 44 00 002	89	29 51 00 911	90, 92
29 10 00 009	6, 23	29 36 00 501	85	29 44 00 003	89	29 51 00 912	90, 92
29 10 00 010	24	29 37 00 001	85	29 44 00 004	89	29 51 00 913	90
29 10 01 010	7, 24	29 37 00 002	85, 111	29 44 00 005	89, 99, 105, 113	29 51 00 914	90
29 10 00 011	7, 23	29 37 00 003	85, 111	29 44 00 006	89	29 51 00 915	90, 92
29 10 00 012	23	29 37 00 501	85	29 44 00 501	89	29 51 00 916	90, 92
29 10 00 013	23	29 38 00 112	85, 101	29 44 00 502	89	29 51 00 917	90
29 10 00 014	23	29 38 00 015	85	29 44 00 503	89	29 51 00 919	91
29 10 00 015	23	29 38 00 502	85	29 44 00 504	89	29 51 00 920	91
29 10 00 501	23	29 38 00 503	85	29 44 00 505	89		
29 10 01 501	6	29 38 00 900	85	29 44 01 505	89, 105	29 52 00 001	93, 107
		29 38 00 901	85	29 44 00 507	89	29 52 00 002	93, 107
29 14 00 001	24	29 38 00 902	85	29 44 00 900	88	29 52 01 002	93, 107
		29 38 00 903	85	29 44 00 901	88	29 52 00 007	93, 107
29 16 00 002	10, 27	29 38 00 904	85	29 44 00 903	88	29 52 00 013	92, 93, 107
29 16 00 003	10, 27	29 38 00 905	85	29 44 00 904	88	29 52 00 015	90, 91, 92, 93
29 16 00 004	10, 27	29 39 00 001	86	29 44 00 905	88	29 52 00 016	93
29 16 00 005	10	29 39 00 002	86	29 44 00 906	88	29 52 00 017	93
29 16 00 501	10, 27	29 39 00 028	86	29 44 00 907	88	29 52 00 023	93
29 16 00 505	26	29 39 00 029	86	29 44 00 908	88	29 52 00 024	91, 93
29 16 00 901	26	29 39 00 032	86	29 44 00 909	88	29 52 00 509	93
29 16 00 902	26	29 39 00 034	86	29 44 00 910	88	29 52 01 512	93, 107
29 16 00 903	26	29 39 00 507	86	29 44 00 911	88	29 52 00 900	92
29 16 02 904	26	29 39 00 508	86	29 44 00 912	88	29 52 00 901	92
29 16 00 905	26	29 39 00 511	86			29 52 00 902	92
		29 39 00 515	86	29 51 00 006	91, 106	29 52 00 903	92
29 17 00 001	16	29 39 00 517	86	29 51 00 012	91, 93, 106, 107	29 52 00 904	92
29 17 00 002	16	29 39 00 518	86	29 51 00 014	91, 93, 106, 107	29 52 00 905	92
		29 39 00 900	86	29 51 00 019	91, 106	29 52 00 906	92
29 19 00 001	17, 32	29 39 00 901	86	29 51 00 020	91, 93, 106, 107	29 52 00 907	92
29 19 00 002	17, 32			29 51 00 025	91, 93, 106, 107	29 52 00 908	92
29 19 00 004	16	29 41 00 013	84, 87, 100, 103	29 51 00 501	91, 93, 106, 107	29 52 01 909	93, 107
29 19 00 008	17, 32	29 41 00 015	87, 103	29 51 00 507	91	29 52 01 910	93, 107
29 19 00 502	17, 32	29 41 00 016	87, 103	29 51 00 508	91, 93		
		29 41 00 018	87, 103	29 51 00 509	91	29 53 00 501	94
29 31 00 020	84	29 41 00 506	87, 103	29 51 00 510	91	29 53 00 900	94
29 31 00 023	84	29 41 00 900	87, 103	29 51 00 513	91, 93		
29 31 00 504	84	29 41 00 901	87, 103	29 51 00 600	90, 92	29 54 00 010	94, 108
29 31 00 900	84	29 43 00 004	88	29 51 00 900	90	29 54 00 501	94, 108
		29 43 00 005	88	29 51 00 902	90	29 54 00 502	94, 108
29 32 00 027	84, 100	29 43 00 006	88	29 51 00 904	90, 92	29 54 00 503	94, 108
29 32 00 501	84, 100	29 43 00 007	88	29 51 00 905	90		
29 32 00 508	84, 100	29 43 00 502	88	29 51 00 906	90, 92	29 56 00 005	95, 109
		29 43 01 506	88	29 51 00 907	90, 92	29 56 01 005	95, 109
29 33 00 501	84, 100	29 43 00 507	88	29 51 00 908	90, 92	29 56 00 011	95, 109
		29 43 00 508	88	29 51 00 909	90	29 56 00 014	95, 109
29 35 00 005	85					29 56 00 015	95, 109
29 35 01 005	85					29 56 00 016	95, 109
29 35 00 009	85, 101					29 56 00 020	95, 109
29 35 00 010	85, 101						
29 35 00 501	85						
29 35 01 501	85, 101						

Order No.	page	Order No.	page	Order No.	page	Order No.	page
29 56 00 021	. 95, 109	29 80 00 501	. . . 98	29 93 00 901	. . . 99	39 39 00 005	. . . 112
29 56 00 501	. 95, 109	29 80 00 502	. . . 98	29 93 00 902	. . . 99	39 39 00 006	. . . 102
29 56 00 502	. 95, 109	29 80 00 503	. . . 98	29 93 00 903	. . . 99	39 39 00 010	. . . 100
29 56 00 506	. 95, 109					39 39 00 501	. . . 102
29 56 00 510	. 95, 109	29 81 01 002	. . . 98	35 09 00 015	. . . 16	39 39 00 502	. . . 102
29 56 01 510	. 95, 109	29 81 00 005	. . . 98				
		29 81 00 007	. . . 86	35 16 00 911	. . . 9, 26	39 43 00 001	. . . 104
29 57 00 015	. 95, 109	29 81 00 008	. . . 98			39 43 00 002	. . . 104
29 57 00 016	. 95, 109	29 81 00 504	. 98, 112	35 17 00 002	. 14, 16, 31	39 43 00 003	. . . 104
29 57 00 017	. 95, 109	29 81 00 505	. . . 98	35 17 00 504	. . . 15	39 43 00 004	. . . 104
29 57 01 017	. 95, 109	29 81 00 508	. 98, 112	35 17 00 900	. . . 15	39 43 00 501	. . . 104
29 57 00 021	. 95, 109	29 81 00 510	. . . 98	35 17 00 901	. . . 15	39 43 00 504	. . . 104
29 57 00 022	. 95, 109	29 81 01 510	. . . 112	35 17 00 902	. . . 15	39 43 00 505	. . . 104
29 57 00 023	. 95, 109	29 81 00 901	. 98, 112	35 17 00 904	. . . 15	39 43 00 507	. . . 104
29 57 00 024	. 95, 109	29 81 00 902	. 98, 112	35 17 00 906	. . . 15	39 43 00 900	. . . 104
29 57 00 025	. 95, 109	29 81 00 905	. 98, 112	35 17 00 907	. . . 16		
29 57 00 030	. 95, 109	29 81 00 907	. 98, 112	35 17 00 908	. . . 16	39 44 00 501	. . . 105
29 57 00 031	. 95, 109	29 81 00 908	. 98, 112	35 17 00 909	. . . 15	39 44 00 502	. . . 105
29 57 00 032	. 95, 109	29 81 00 909	. 98, 112	35 17 00 910	. . . 15	39 44 00 503	. . . 105
29 57 00 035	. 95, 109	29 81 00 910	. 98, 112	35 17 00 911	. . . 15		
29 57 00 501	. 95, 109	29 81 00 911	. 98, 112	35 17 00 912	. . . 15	39 71 00 003	. . . 111
29 57 01 501	. 95, 109	29 81 00 912	. 98, 112	35 17 00 913	. . . 15	39 71 00 501	. . . 111
29 57 00 502	. 95, 109	29 81 00 913	. 98, 112	35 17 00 914	. . . 16	39 71 00 502	. . . 111
29 57 00 506	. 95, 109	29 81 00 914	. 98, 112	35 17 00 915	. . . 16		
		29 81 00 918	. 98, 112			39 72 00 006	. . . 111
		29 81 00 919	. 98, 112	39 00 00 901	. . . 18	39 72 00 007	. . . 111
29 66 00 001	. 96, 110	29 81 00 920	. 98, 112			39 72 00 010	. . . 111
29 66 00 002	. 96, 110	29 81 00 921	. 98, 112	39 01 00 002	. . . 20	39 72 00 011	. . . 111
29 66 00 008	. . . 96	29 81 00 923	. 98, 112	39 01 00 003	. . . 20	39 72 00 900	. . . 111
29 66 01 011	. . . 96	29 81 00 924	. 98, 112	39 01 00 018	. . . 100		
29 66 00 014	. . . 111	29 81 00 925	. 98, 112			39 80 00 501	. . . 112
29 66 00 016	. 96, 110			39 02 00 502	. . . 21	39 80 00 502	. . . 112
29 66 00 017	. . . 111	29 91 00 001	. 99, 113			39 80 00 503	. . . 112
29 66 00 018	. . . 96	29 91 00 002	. 99, 113	39 16 00 001	. . . 27		
29 66 00 019	. 96, 110	29 91 00 501	. 99, 113	39 16 00 502	. . . 26	39 81 00 501	. . . 112
29 66 00 022	. 96, 110	29 91 00 900	. 99, 113	39 16 01 900	. . . 26		
29 66 00 023	. 96, 110			39 16 00 901	. . . 26	39 93 00 900	. . . 113
29 66 00 026	. . . 96	29 92 00 001	. 99, 113			39 93 01 900	. . . 113
29 66 00 027	. . . 96	29 92 00 503	. 99, 113	39 31 00 016	. . . 100		
29 66 00 508	. 96, 110	29 92 00 504	. 99, 113	39 31 00 017	. . . 100	40 43 00 092	. . . 71
29 66 00 510	. . . 96			39 31 00 505	. . . 100		
29 66 00 511	. 96, 110			39 31 00 900	. . . 100	40 56 00 017	. . . 99
		29 93 00 003	. . . 99				
29 71 00 001	. . . 97	29 93 00 011	. . . 99	39 37 00 501	. . . 101	40 66 00 216	. 96, 110
29 71 00 002	. 97, 111	29 93 00 012	. . . 99				
		29 93 00 015	. . . 99	39 38 00 005	. . . 101	40 93 00 028	. . . 99
		29 93 00 016	. . . 99	39 38 00 007	. . . 101		
29 72 00 010	. . . 97	29 93 00 019	. 99, 101	39 38 00 501	. . . 101		
29 72 00 502	. . . 97	29 93 00 020	. . . 99	39 38 01 502	. . . 101		
29 72 00 506	. . . 97	29 93 00 501	. . . 99	39 38 02 502	. . . 101		
29 72 00 900	. . . 97	29 93 00 503	. . . 99	39 38 00 503	. . . 111		
29 72 00 901	. . . 97	29 93 00 900	. . . 99	39 38 00 900	. . . 101		

**DIN 7**

2,5 h 11x32 . . . . . 37  
 2,5 h 11x55 . . . . . 99  
 4 h 8x6 . . . . . 16

**DIN 63**

AM 3x8 . . . . . 88  
 AM 4x8 . . . . . 16

**DIN 84**

M 2,6x6 . . . . . 82  
 M 4x8 . . . . . 15  
 AM 4x8 . . . . . 13, 30  
 AM 4x10 . . . . . 13, 14, 16, 30, 31  
 M 4x10 . . . . . 15  
 M 4x12 . . . . . 11, 12, 28, 29  
 AM 4x15 . . . . . 14, 16, 31  
 AM 4x16 . . . . . 13, 30  
 M 4x18 . . . . . 11  
 AM 4x19 . . . . . 13, 30  
 M 4x20 . . . . . 11, 15, 28  
 AM 4x21 . . . . . 13, 30  
 M 4x22 . . . . . 11, 12, 15, 28, 29  
 M 4x25 . . . . . 12, 29  
 AM 4x25 . . . . . 13, 30  
 AM 5x10 . . . . . 100

**DIN 85**

M 3x8 . . . . . 68  
 AM 4x6 . . . . . 17, 32  
 M 4x8 . . . . . 35  
 4x8 . . . . . 56  
 AM 4x10 . . . . . 86, 102  
 M 4x10 . . . . . 70  
 AM 5x6 . . . . . 96, 110  
 M 5x8 . . . . . 56  
 M 5x10 35, 36, 56, 58, 96  
 AM 5x10 . . . . . 17, 32  
 M 5x12 . . . . . 36  
 AM 5x12 . . . . . 99  
 M 5x15 . . . . . 56  
 AM 5x15 . . . . . 17, 32  
 AM 6x6 . . . . . 61  
 RIM 6x8 . . . . . 2, 19  
 AM 6x15 . . . . . 104  
 AM 6x18 . . . . . 17, 32  
 AM 6x20 . . . . . 56  
 BM 6x38 . . . . . 17, 32  
 M 6x55 . . . . . 3, 20

**DIN 86**

M 4x8 . . . . . 52, 66, 81, 97  
 AM 4x8 . . . . . 111  
 AM 6x18 . . . . . 52, 97

**DIN 88**

AM 5x20 . . . . . 85  
 M 6x18 . . . . . 3, 20  
 M 6x30 . . . . . 20  
 M 6x50 . . . . . 3

**DIN 91**

AM 4x8 . . . . . 99  
 AM 5x10 . . . . . 102  
 M 5x12 . . . . . 104  
 AM 5x18 . . . . . 88  
 AM 6x10 . . . . . 68  
 AM 6x12 . . . . . 99  
 AM 6x15 3, 20, 88, 104

**DIN 94**

1x12 . . . . . 60, 98, 112  
 1x15 . . . . . 82  
 2x15 . . . . . 51  
 3x18 . . . . . 35, 58  
 3x22 . . . . . 58, 68

**DIN 125**

3,2 . . . . . 68  
 3,7 . . . . . 11, 12, 15, 28, 29  
 4,3 . . . . . 35, 70  
 5,3 . . . . . 96  
 6,4 . . . . . 41, 42, 56, 68, 70, 73, 76, 78, 80, 81, 83, 102, 104  
 7,4 4, 21, 71, 81, 94, 108  
 8,4 . . . . . 34, 57, 71, 72  
 10,5 . . . . . 69, 77, 79

**DIN 127**

B 3 . . . . . 11, 12, 14, 15, 28, 29, 31  
 B 4 . . . . . 11, 12, 13, 15, 28, 29, 30, 35, 36, 70  
 A 5 . . . . . 37, 49, 64, 79, 99  
 B 5 . . . . . 56  
 A 6 . . . . . 52, 85, 96, 97  
 B 6 . . . . . 70, 80, 81, 83  
 A 8 . . . . . 87, 103  
 B 8 . . . . . 82, 85, 88, 104  
 B 10 . . . . . 85  
 B 12 . . . . . 7, 24  
 A 14 . . . . . 84, 100

**DIN 137**

A 3 . . . . . 38, 59, 68, 71, 100  
 A 4 . . . . . 14, 16, 17, 31, 32, 35, 54, 56, 58, 60, 70, 82, 99  
 B 4 . . . . . 14, 16, 31, 56, 70, 86, 102  
 A 5 . . . . . 17, 32, 35, 36, 38, 52, 56, 58, 59, 66, 81, 96, 97, 110, 111  
 B 5 . . . . . 10, 27, 96, 100  
 A 6 . . . . . 17, 32, 35, 52, 58, 68, 98  
 B 6 . . . . . 3, 20, 35, 36, 48, 50, 51, 52, 56, 58, 61, 64, 65, 66, 79, 81, 85, 92, 93, 94, 97, 99, 101, 107, 108, 110, 111  
 B 7 . . . . . 46, 49, 63, 64, 71, 77, 79, 91, 93, 106, 107  
 A 8 . . . . . 8, 14, 16, 25, 31, 37, 38, 59, 86, 87, 103  
 B 8 . . . . . 101  
 A 10 . . . . . 85, 101  
 B 10 . . . . . 6, 23, 85, 101  
 B 12 . . . . . 85, 101, 111

**DIN 433**

4,3 . . . . . 11, 12, 15, 28, 29  
 8,4 . . . . . 54

**DIN 439**

BM 5 . . . . . 61, 88  
 M 6 . . . . . 40, 42, 73, 104  
 BM 7 . . . . . 57

**DIN 471**

11x1 . . . . . 8, 25  
 12x1 . . . . . 16  
 14x1 . . . . . 34  
 21x1,2 . . . . . 6, 23  
 22x1,2 . . . . . 7, 24  
 24x1,2 . . . . . 7, 24

**DIN 472**

32x1,2 . . . . . 3, 20  
 35x1,5 . . . . . 3, 20

**DIN 553**

M 3x6 . . . . . 71

**DIN 557**

M 8 . . . . . 84, 100

**DIN 660**

3x5 . . . . . 96, 110  
 3x6 . . . . . 38, 59, 86  
 3x10 . . . . . 90  
 3,5x8 . . . . . 35  
 5x8 . . . . . 44  
 5x12 . . . . . 85, 101  
 5x32 . . . . . 84

**DIN 835**

AM 7x85 . . . . . 2, 19

**DIN 912**

M 8x22 . . . . . 72

**DIN 917**

M 4 . . . . . 99

**DIN 922**

M 4x5x1,6 . . . . . 82

**DIN 923**

M 4x4 . . . . . 41, 42, 74, 104  
 M 5x8 . . . . . 61

**DIN 931**

M 5x60 . . . . . 53  
 M 6x18 . . . . . 68  
 M 6x22 . . . . . 36  
 M 6x25 . . . . . 73  
 M 6x36 . . . . . 39, 59  
 M 6x48 . . . . . 3  
 M 6x50 . . . . . 20  
 M 6x55 . . . . . 3, 20  
 M 6x65 . . . . . 3, 20  
 M 6x72 . . . . . 3, 20  
 M 6x75 . . . . . 101  
 M 6x80 . . . . . 3, 20  
 M 7x25 . . . . . 78  
 M 7x62 . . . . . 34  
 M 7x68 . . . . . 81  
 M 8x20 . . . . . 101  
 M 8x30 . . . . . 92  
 M 8x45 . . . . . 41, 42  
 M 8x66 . . . . . 39  
 M 8x190 . . . . . 86

**DIN 933**

M 3x9 . . . . . 14, 15, 31  
 M 3x10 . . . . . 11, 12, 28, 29  
 M 5x18 . . . . . 52, 60, 66, 81, 97, 111

**DIN 933**

M 6x6 . . . 58, 94, 108  
 M 6x8 . . . 35, 61, 65  
 M 6x10 . . . 51, 58, 70, 80  
 M 6x12 . . . 20, 35, 52, 58,  
 70, 83, 85, 94,  
 96, 97, 101,  
 108, 110, 111  
 M 6x15 . . . 35, 66, 85, 86, 102  
 M 6x16 . . . 36, 56  
 M 6x18 . . . 68, 70, 81, 97  
 M 6x20 . . . 81  
 M 6x25 . . . 70  
 M 7x15 . . . 34, 37, 38, 71,  
 96, 110  
 M 7x18 . . . 34  
 M 7x20 . . . 71  
 M 8x10 . . . 54  
 M 8x12 . . . 82  
 M 8x18 . . . 39, 59, 88  
 M 8x20 . . . 104

**DIN 934**

M 3 . . . 11, 12, 14, 15,  
 28, 29, 31, 68  
 M 4 . . . 17, 32, 35, 58,  
 70, 102  
 M 5 . . . 10, 27, 35, 36, 40,  
 41, 42, 51, 52, 56,  
 57, 58, 61, 66, 67,  
 73, 74, 80, 81, 82,  
 85, 88, 94, 96, 97,  
 100, 102, 104, 108, 111  
 M 6 . . . 3, 20, 35, 36, 39,  
 48, 50, 52, 56, 59,  
 64, 68, 70, 73, 76,  
 79, 81, 85, 92, 93,  
 97, 99, 101, 102,  
 107, 110, 111

**DIN 934**

M 7 . . . 4, 7, 21, 24,  
 34, 71, 78, 81, 101  
 M 8 . . . 39, 85, 86, 88, 92  
 M 8x1 . . . 8, 14, 25, 31  
 M 10 . . . 69, 85

**DIN 936**

M 8x1 . . . 90, 92  
 M 10x1 . . . 6, 23, 85, 101  
 M 12x1,5 . . . 69  
 M 14x1,5 . . . 84, 100

**DIN 938**

AM 6x65 . . . 3

**DIN 940**

M 6x62 . . . 3  
 M 6x70 . . . 3

**DIN 960**

M 10x1x35 . . . 69  
 M 10x1x75 . . . 85  
 M 10x1x115 . . . 85, 101

**DIN 961**

M 12x1,5x15 . . . 101

**DIN 985**

M 3 . . . 10  
 M 6 . . . 56

**DIN 1476**

2x3 . . . 33, 56, 69, 84, 100  
 2,3x6 . . . 111  
 2,6x3 . . . 44, 47  
 2x6 . . . 111  
 3x8 . . . 71

**DIN 1587**

M 8 . . . 41, 42, 71

**DIN 3402**

D 6 37, 38, 57, 59, 87, 103

**DIN 6797**

J 5,3 . . . 40, 41, 42, 61,  
 73, 74, 88  
 5,3 . . . 42, 104  
 J 6,4 . . . 61, 102  
 J 8,4 . . . 1, 18

**DIN 6798**

A 4,3 . . . 13, 30, 98  
 J 4,3 . . . 52, 66, 81, 97, 111  
 A 5,3 . . . 53, 66, 67, 82,  
 J 5,3 . . . 85, 102  
 A 6,4 . . . 3, 20, 39, 56, 58  
 A 7,4 . . . 57  
 A 8,4 . . . 39, 41, 42, 54, 59  
 J 8,4 . . . 90, 92

**DIN 6799**

4 . . . 15, 89, 105  
 5 . . . 7, 8, 24, 25,  
 51, 66, 94, 108  
 6 . . . 95, 109  
 7 . . . 57

**DIN 6888**

2x3,7 . . . 14, 16, 31  
 3x3,7 . . . 6, 23

**DIN 7338**

B 3x7 . . . 91, 93, 106, 107

**DIN 7341**

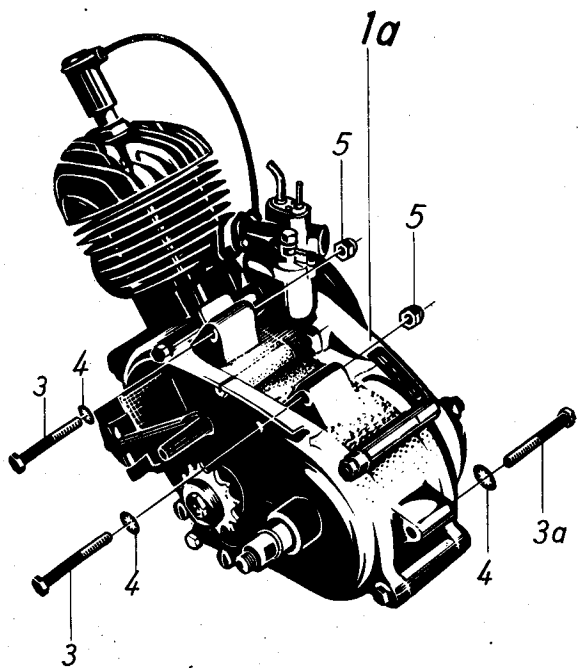
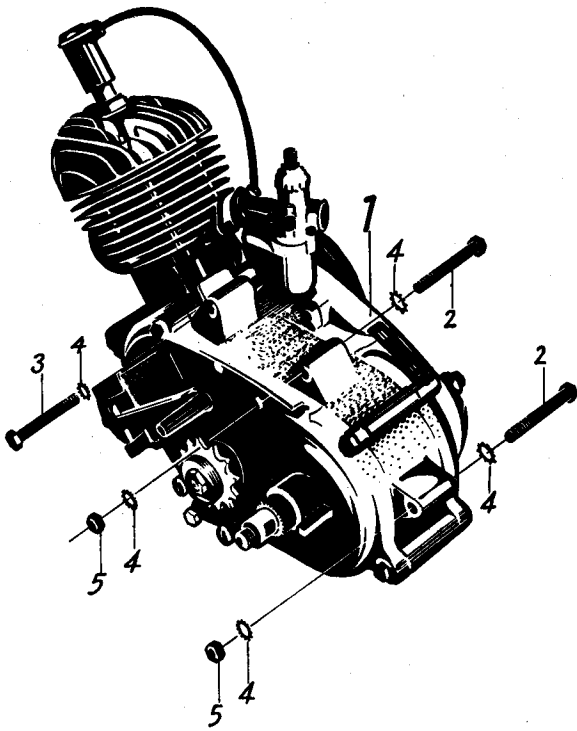
A 3 h 11x22 . . . 4, 21

**DIN 7603**

A 6x12 . . . 2, 19  
 A 8x12 . . . 2, 19  
 A 10x14 . . . 81

**DIN 7973**

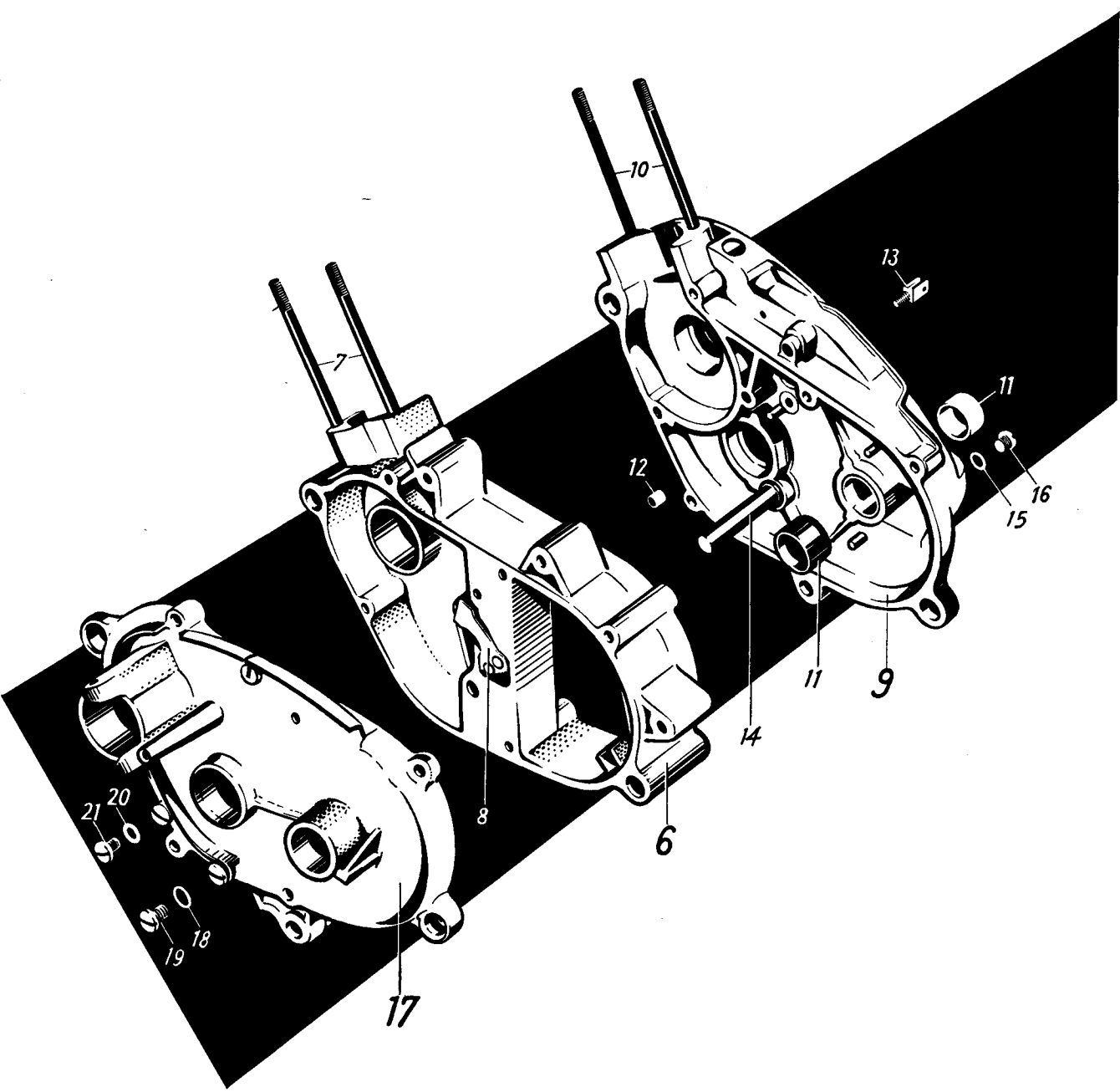
B 4,2x13 . . . 86  
 B 4,2x19 . . . 86, 99

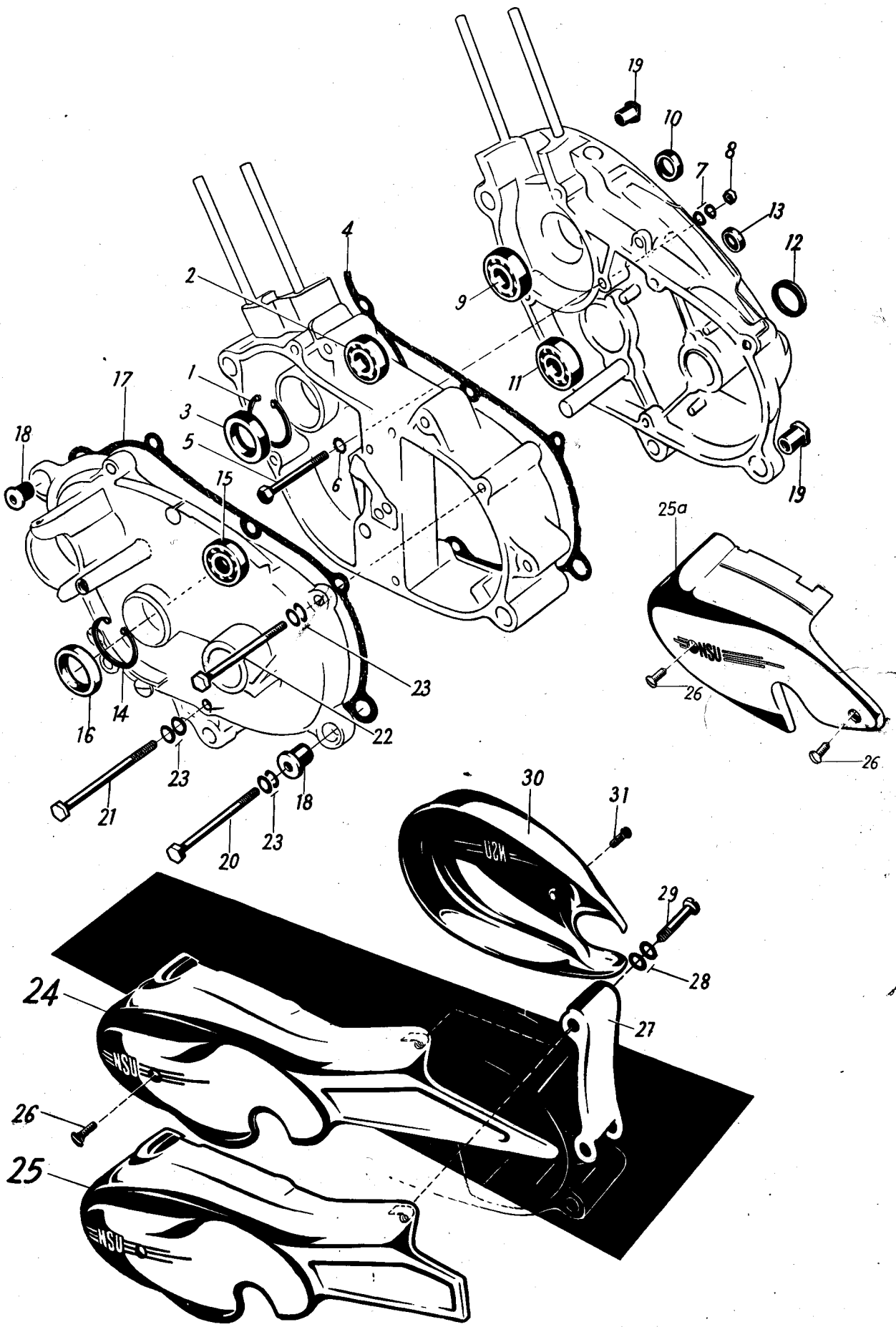




Description	Order-No.	Quantity			Remarks	Illustr.-No.
<b>QUICKLY</b>						
<b>2 Gears</b>						
N-S   L   T						
Engine with generator and carburettor D. 12 mm	16 00 01 903	1	1		<p>17 Watt. for vehicles prior to serial number 501 834 /545 056 the following items are required: 2 Bolts(M 8) 16 01 00 038, 1 Bolt (M 8) 16 01 00 039, 3 Lock washers J 8,4 DIN 6797 and 3 Locking nuts 083 871 012 Rebore engine mounting holes in frame and on carrying handle to 8,3 mm diam. and remove the threaded projection at the frame. <b>In case of necessity</b> brake lever to be ordered additionally</p>	1
Bolt	16 01 00 038	NS 2 1	1		<p>engine mounting parts for vehicles from frame/engine number 501 834 /545 056 up. In case of earlier vehicles exchange the assembly of all the parts listed and rebore engine mounting holes in frame, on crankcase and carrying handle to 8,3 mm diam., remove the threaded projection at the frame, and order 1 Nut 871 012 additionally</p>	2
Bolt	16 01 00 039	1	1	2		3
Bolt for side support	16 93 00 058	S 1	1			—
Bolt	16 01 00 047			1		3a
Lock washer	J 8,4 DIN 6797	3	3	3		4
Nut	083 871 012	2	2	2	5	

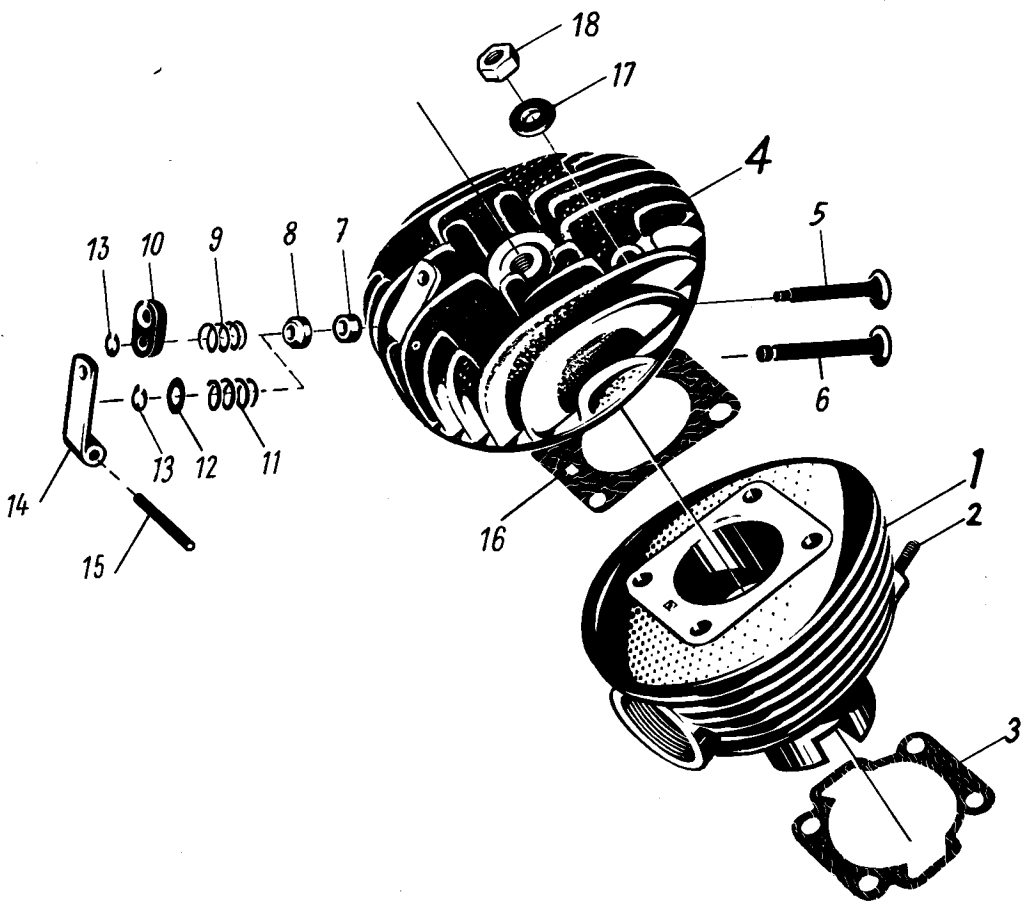
Description	Order-No.	Quantity			Remarks	Illustr.-No.	
		QUICKLY					
		2 Gears					
		N-S	L	T			
		1	2	3			
<b>Crankcase</b>	16 01 00 504	1	1		in case of vehicles prior to frame/engine number 501 834 / 545 056 order additionally 2 Bolts (M8) 16 01 00 038, 1 Bolt (M8) 16 01 00 039, 3 Lock washers J 8,4 DIN 6797 and 3 Locking nuts 083 871 012. Rebore engine mounting holes in frame and carrying handle to 8,3 mm diam. Remove the threaded projection at the frame.		
<b>Crankcase</b>	29 01 01 502			1			
<b>Crankcase half, left</b>	16 01 01 502	1	1	1		6	
Stud	AM 7x85 DIN 835	2	2	2		7	
Leaf spring	16 01 01 022	1	1	1		1 mm	8
Rivet	075 752 027	2	2	2			—
<b>Crankcase half, right</b>	16 01 00 901	1	1				9
<b>Crankcase half, right</b>	29 01 00 900			1			—
Stud	AM 7x85 DIN.835	2	2	2			10
Bush	16 01 00 005	2	2			→ 164 546 / 176 279	11
Bush	16 01 00 026	1	1	1			12
Clevis link	16 01 00 007	1	1			→ 92 805 / 99 003	13
Layshaft	16 01 02 004	1	1	1		In case of vehicles prior to frame/engine 82 401 / 87 963 grind down shoulder on gear wheel for 1st and 2nd gear 1 mm. Replace by washer 16 10 00 007 (1 mm thick)	14
Seal ring	A 8x12 DIN 7603	1	1	1			
Screw plug	16 01 00 025	1	1	1			16
<b>Cover, left</b>	16 01 00 500	1	1				17
<b>Cover, left</b>	29 01 00 902			1			—
Seal ring	16 01 00 028			1		21x28x5,5 mm	—
Seal ring	A 8x12 DIN 7603	1	1	1			18
Screw plug	16 01 00 025	1	1	1			19
Seal ring	A 6x12 DIN 7603	1	1	1			20
Screw	RiM 6x8 DIN 85	1	1	1		21	

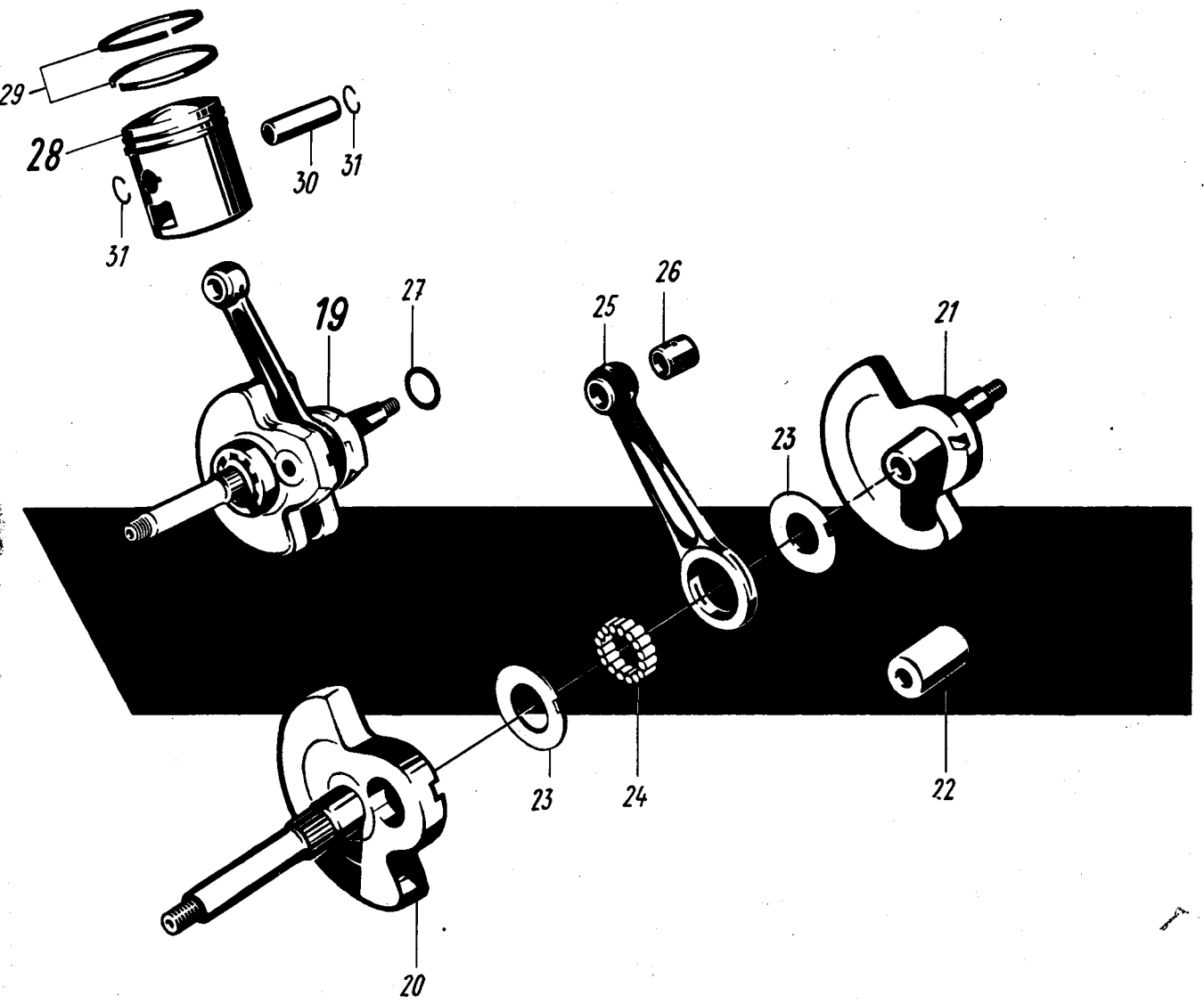




Description	Order-No.	Quantity			Remarks	Illustr.-No.
		N-S	L	T		
<b>QUICKLY</b>						
<b>2 Gears</b>						
<b>Additional parts for left crankcase half</b>						
Circlip	35x1,5 DIN 472	1	1	1		1
Bearing	011 055 770	1	1	1	15x35x11 mm	2
Seal ring	16 01 00 034	1	1	1	20x35x7 mm	3
Gasket	16 01 00 015	1	1	1		4
Bolt	M 6x48 DIN 931	1	1	1		5
Lock washer	A 6,4 DIN 6798	1	1	1		6
Spring washer	B 6 DIN 137	2	2	2		7
Nut	M 6 DIN 934	1	1	1		8
<b>Additional parts for right crankcase half</b>						
Bearing	011 055 770	1	1	1	15x35x11 mm	9
Seal ring	16 01 00 033	1	1	1	15x24x7 mm	10
Bearing	021 105 512	1	1	1	12x32x10 mm	11
Seal ring	16 01 00 028	1	1		21x28x5,5 mm	12
Seal ring	16 01 00 027	1	1	1	6x13x4,5 mm	13
<b>Additional parts for left-hand cover</b>						
Circlip	32x1,2 DIN 472	1	1	1		14
Bearing	021 105 512	1	1	1	12x32x10 mm	15
Seal ring	091 901 032	1	1		22x32x7 mm → 20 693 / 21 025	—
Seal ring	—	1	1		26x32x7 mm s. page 6 repair-type	—
Seal ring	16 01 00 032	1	1	1	12x32x7 mm 20 694 / 21 026 →	16
Gasket	16 01 00 014	1	1	1		17
<b>Crankcase assembling parts</b>						
Sleeve	16 01 00 017	1	1		} s. Illustr. No. 19	—
Sleeve	16 01 00 008	3	3			—
Stud	AM 6x65 DIN 938	1	1			—
Stud	M 6x70 DIN 940	5	5		} no! supplied order screws	—
Stud	M 6x62 DIN 940	1	1			→ 193 540 / 208 745
Bolt	M 6x72 DIN 931	1	1			—
Spring washer	B 6 DIN 137	16	16			—
Nut	M 6 DIN 934	8	8			—
<b>Sleeve</b>	16 01 00 008	2	2	2	193 541 / 208 746 →	18
<b>Sleeve</b> length of thread = 6,5 mm	16 01 00 017	2	2		193 541 / 208 746 → → 791 755 / 853 395	19
<b>Sleeve</b> length of thread = 22,5 mm	16 01 00 017	2	2	2	791 756 / 853 396 →	—
Bolt	M 6x65 DIN 931	2	2		193 541 / 208 746 → → 791 755 / 853 395	20
Bolt	M 6x55 DIN 931	2	2	2	791 756 / 853 396 →	—
Bolt	M 6x80 DIN 931	5	5	5		21
Bolt	M 6x72 DIN 931	1	1	1	} 193 541 / 208 746 →	22
Spring washer	B 6 DIN 137	16	16	16		23
Gasket set	16 01 00 900	1	1			—
Gasket set	29 01 00 905			1		—
<b>Chain cover</b>	16 01 00 501	1				24
<b>Chain cover</b>	16 01 01 501		1			25
<b>Chain cover</b>	29 01 00 001			1		25a
Spacer	16 01 00 011	1	1		} → 62 700 / 66 989	—
Pointed screw	M 6x50 DIN 88	1	1			—
Screw	AM 6x15 DIN 91	1	1	2	62 701 / 66 990 →	26
Coverplate	16 01 00 505	1	1			27
Spring washer	B 6 DIN 137	2	2			28
Pointed screw	M 6x55 DIN 85	1	1			29
<b>Cover, right</b>	16 01 00 009	1	1			30
Spacer	16 01 00 011	1	1		} → 78 000 / 82 792	—
Pointed screw	M 6x50 DIN 88	1	1			—
Screw	M 6x18 DIN 88	1	1		78 001 / 82 793 →	31

Description	Order-No.	Quantity			Remarks	Illustr.-No.
		N-S	L	T		
<b>QUICKLY</b>						
		<b>2 Gears</b>				
		1 2 3				
Cylinder with piston	16 02 00 502		1	1	height of the cylinder 60,6 mm	—
Cylinder with piston	29 02 00 503			1	height of the cylinder 59,6 mm	—
Cylinder	16 02 00 500		1		} not supplied separately	1
Cylinder	29 02 00 504			1		—
Stud	16 02 00 008		2	2		2
Stud	16 02 01 008			2		—
Gasket	16 02 00 006		1	1		3
Cylinder head	16 02 00 501		1	1	} → 482 754 / 522 989. no supplied, order 16 02 01 501 and Bowdencable 16 44 01 504	—
Cylinder head	16 02 01 501		1			482 755 / 522 990 →
Cylinder head	29 02 00 505			1		—
Valve	16 02 00 004		1	1	→ 482 754 / 522 989	5
Valve	16 02 01 004		1		} L = 44 mm 482 755 / 522 990 →	—
Valve	29 02 00 006			1		L = 43 mm (with groove)
Packing	16 02 00 009		1	1		7
Cap	16 02 00 010		1	1		8
Spring	011 095 858		1	1	} → 482 754 / 522 989	9
Thrust plate	16 02 00 005		1			10
Spring	16 02 00 016		1	1	} 482 755 / 522 990 →	11
Washer	16 02 00 015		1	1		12
C-washer	11 17 10 993		1	1		13
Release lever	16 02 01 013		1		} 482 755 / 522 990 → for repair	—
Release lever	29 02 00 003			1		14
Rivet	A3h11x22DIN7341		1	1		15
Circlip	29 02 00 002			1		—
Sparking plug adaptor	081 802 089		1	1	for repair	—
Gasket	16 02 00 007		1	1		16
Washer	7,4 DIN 125		4	4		17
Nut	M 7 DIN 934		4	4		18

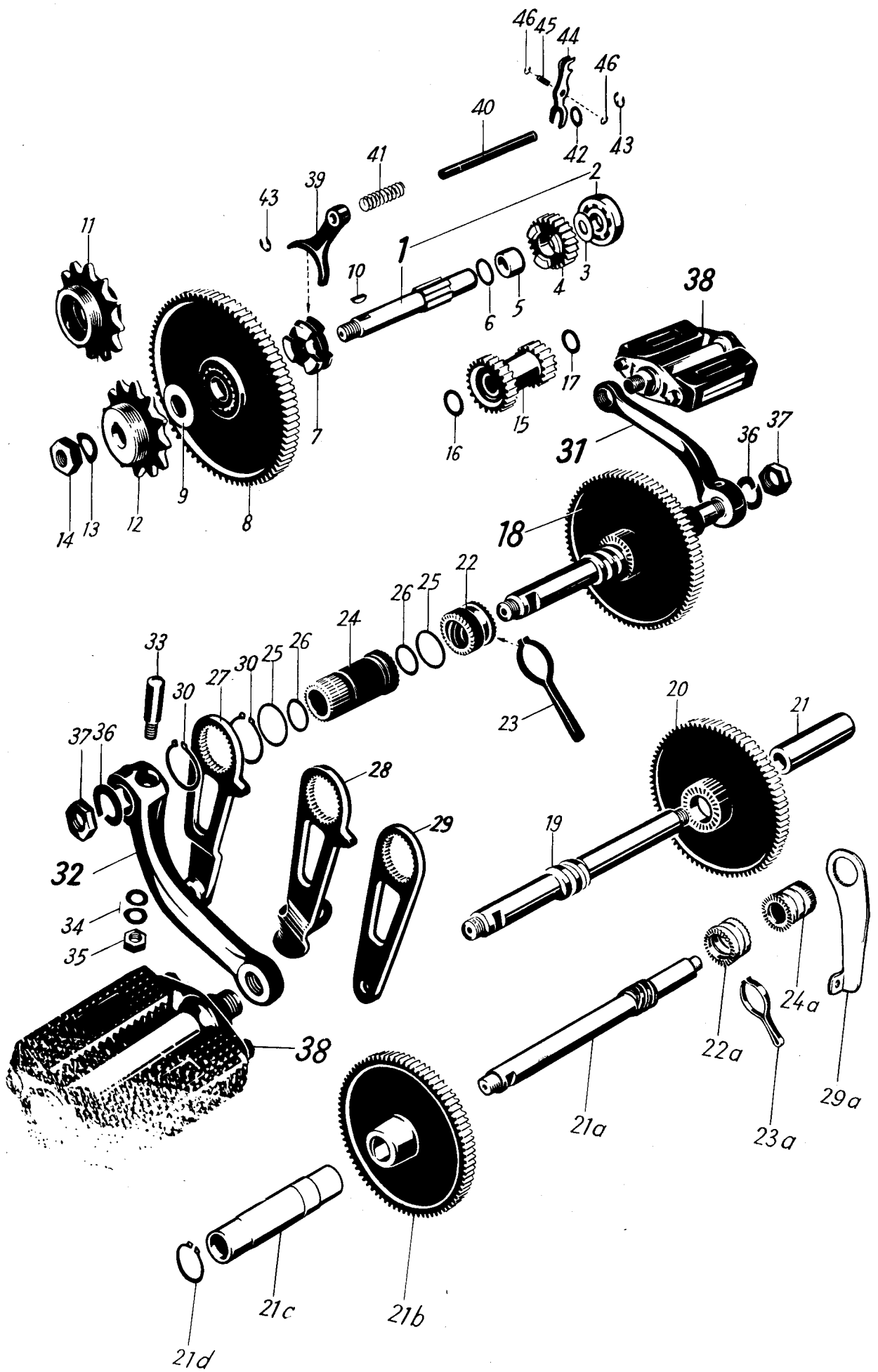


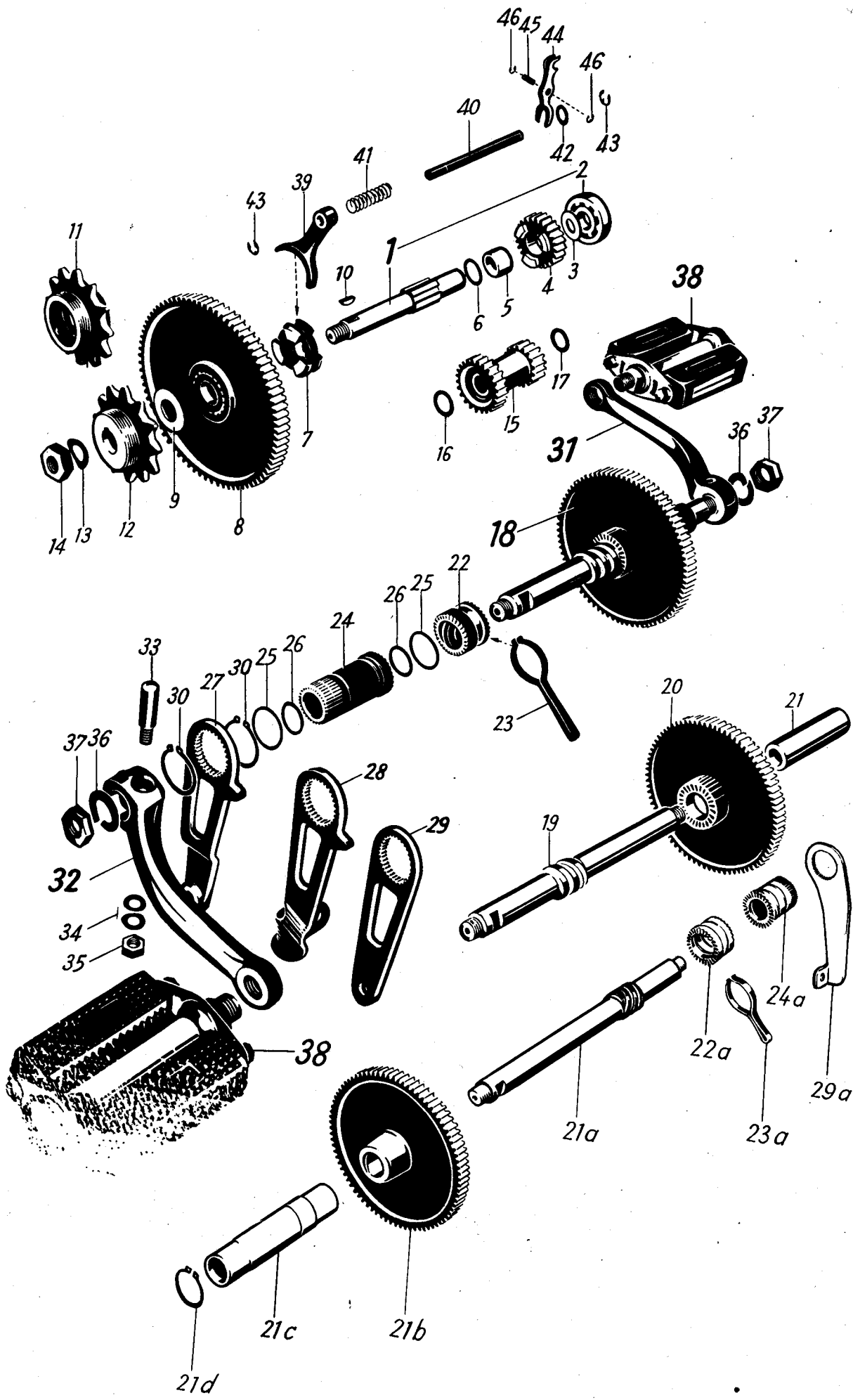




Description	Order-No.	Quantity			Remarks	Illustr.-No.	
<b>QUICKLY</b>							
<b>2 Gears</b>							
		N-S	L	T			
<b>Flywheel assy</b>	16 04 02 504	1	1	1		19	
Ball bearing	—	2	2	2	15x35x11 mm s. page 3, Illustr.-No. 2, 9	—	
Flywheel	16 04 02 011	1	1	1	} as req.	20	
Flywheel	16 04 01 901	1	1	1		21	
Crankpin	16 04 00 004	1	1	1		22	
Washer	16 04 01 007	2	2	2		16,7x33x1 mm	23
Roller	16 04 00 600	16	16	16		normal 4x6 DIN 5402	24
Roller	16 04 00 600	16	16	16		+ 0,004 4x6 DIN 5402	—
Roller	16 04 00 600	16	16	16		return flywheel assy	—
Roller	16 04 00 600	16	16	16		+ 0,002 4x6 DIN 5402	—
Roller	16 04 00 600	16	16	16		— 0,002 4x6 DIN 5402	—
Roller	16 04 00 600	16	16	16		— 0,004 4x6 DIN 5402	—
<b>Connecting rod</b>	16 04 01 502	1	1	1		25	
Bush	16 04 00 003	1	1	1		26	
Shim	012 098 209	as req.	as req.		{ 15,2x22x0,2; 0,35 mm NSL → Engine No. 952 268	27	
Shim	16 04 00 015	as req.	as req.	as req.	16,9x22x0,2 mm	—	
Shim	16 04 00 016	as req.	as req.	as req.	16,9x22x0,3 mm	} N S L Engine No. 952 269 →	
Shim	16 04 00 017	as req.	as req.	as req.	16,9x22x0,5 mm		
<b>Piston w/Cylinder</b>	16 02 00 502	1	1			—	
<b>Piston w/Cylinder</b>	29 02 00 503			1		—	
Piston	16 04 00 503	1	1	1	{ 40 mm Ø not supplied separately	28	
Piston ring	16 04 00 010	2	2	2		29	
Grooved stud	16 04 00 014	2	2	2		—	
Gudgeon pin	16 04 00 009	1	1	1		30	
Circlip	16 04 00 013	2	2	2		31	

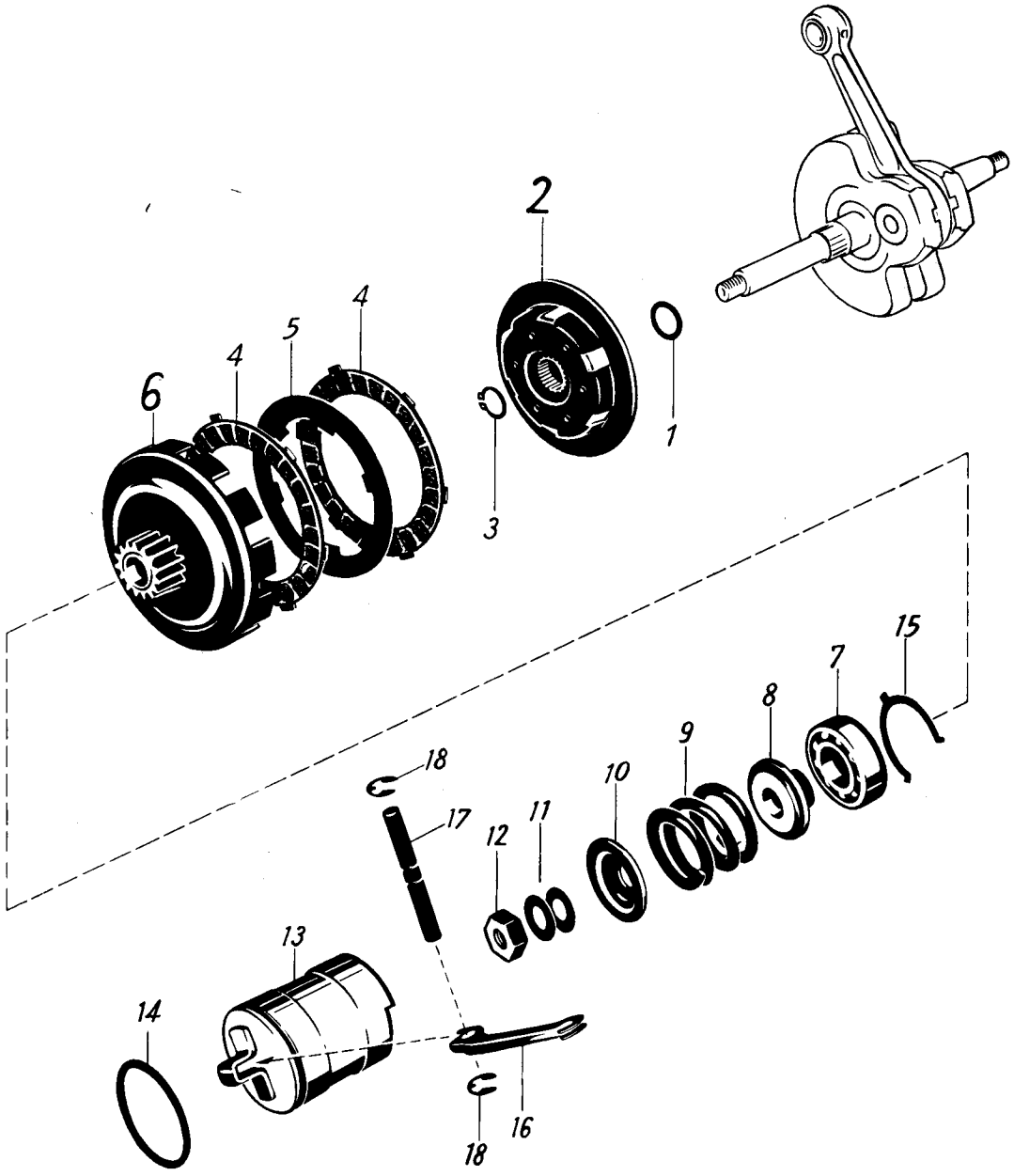
Description	Order-No.	Quantity			Remarks	Illustr.-No.
<b>QUICKLY</b>						
<b>2 Gears</b>						
		N-S	L	T		
						1 2
Main shaft	16 10 00 507	1	1		98 mm long → 20 693 / 21 025	—
Main shaft	16 10 01 507	1	1	1	107 mm long 20 694 / 21 026 →	1
Bearing	021 105 512	2	2	2	12x32x10 mm s. page 3	2
Gear	16 10 00 004	1	1		24 No of teeth (inner diam 12 mm) → 20 693 / 21 025	—
Washer	16 10 00 022	as req.	as req.	as req.	12,1x23x0,5 mm	3
Washer	16 10 00 057	as req.	as req.	as req.	12,1x23x0,6 mm	—
Washer	16 10 00 058	as req.	as req.	as req.	12,1x23x0,7 mm	—
Washer	16 10 00 047	as req.	as req.	as req.	12,1x23x0,8 mm	—
Washer	16 10 00 059	as req.	as req.	as req.	12,1x23x0,9 mm	—
Gear	16 10 01 004	1	1	1	24 No of teeth (inner diam 15 mm) 20 694 / 21 026 →	4
Bush	16 10 00 028	1	1	1		12x15x10 mm
Washer	16 10 00 029	1	1	1	12,4x17,8x1 mm	6
Dog	16 10 01 003	1	1	1		7
Gear	16 10 01 502	1	1	1	18/80 No of teeth	8
Gear	16 10 00 401	1	1		→ 475 572 / 515 366	—
Gear	16 10 01 401	1	1		475 573 / 515 367 →	—
Washer	16 10 00 022	1	1	1	12,1x23x0,5 mm	9
Woodruff key	3x3,7 DIN 6888	1	1	1		10
Sprocket	16 10 00 009	1	1		12 No of teeth is not supplied order repair type (16 10 02 009, 16 10 00 031 and 16 10 00 033) 22x32x7 mm s. page 3 → 20 693 / 21 025	—
Sealring in cover left	—	1	1			
Seal ring	16 10 00 027	1	1		observe 9x14 mm	
Sprocket	16 10 02 009	1	1		12 No of teeth } 26x32x7 mm } replacement for (repair type) } 16 10 00 009 }	→ 20 693/21 025
Seal ring	16 10 00 031	1	1			
Circlip	16 10 00 033	1	1			
Sprocket	16 10 01 009	1	1	1	12 No of teeth } 12x32x17 mm } s. page 3 } 20 694/21 026 →	12
Seal ring	—	1	1	1		
Sprocket	16 10 00 036	optional	optional	optional	13 No of teeth	—
Spring washer	B 10 DIN 137	1	1	1		13
Nut	M 10x1 DIN 936	1	1	1		14
Gear	16 10 01 501	1	1	1	for vehicles prior to 82 401 / 87 963 order also 1. washer 16 10 00 035	15
Washer	16 10 00 007	2	2			
Washer	16 10 00 007	1	1		10,2x17x1 mm 82 401 / 87 963 →	16
Washer	16 10 00 035	1	1			
Washer	16 10 00 007	1	1	1	10,2x17x2 mm 493 384 / 535 584 →	17
Crank axle, compl.	16 10 00 503	1	1			18
Crank axle	16 10 00 010	1	1			19
Gear	16 10 00 012	1	1		80 No of teeth	20
Spacer	16 10 00 015	1	1			21
Crank axle	29 10 01 501			1		—
Crank axle	29 10 00 003			1		21a
Gear	29 10 01 008			1		21b
Spacer	29 10 00 009			1		21c
Circlip	21x1,2 DIN 471			1		21d

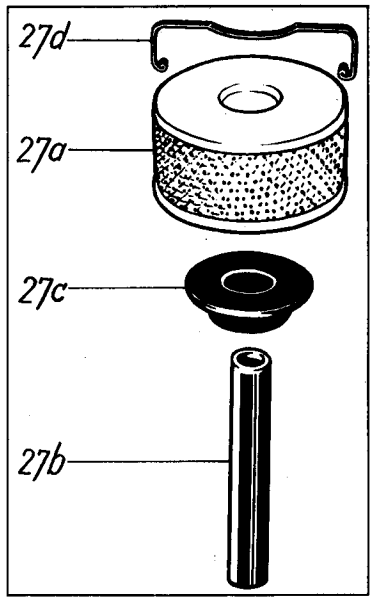
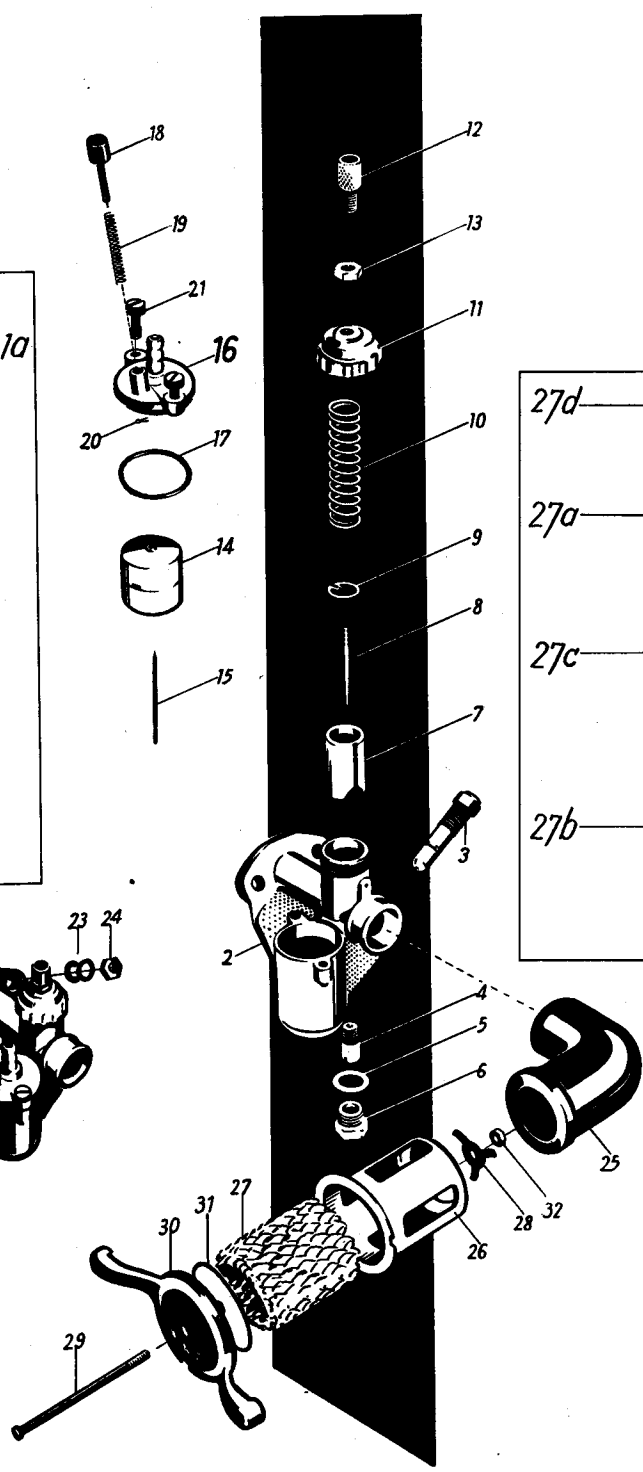
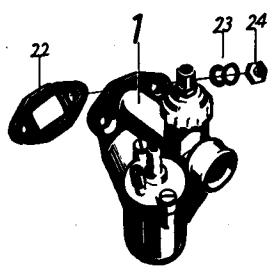
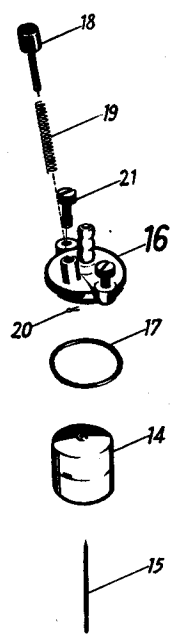
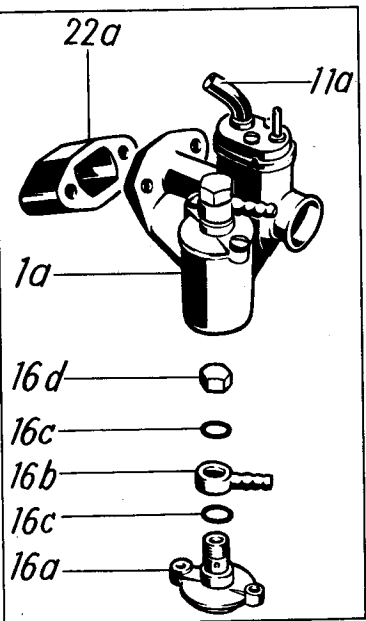




Description	Order-No.	QUICKLY			Remarks	Illustr.-No.
		2 Gears				
		N-S	L	T		
Driver	16 10 00 011	1	1			22
Driver	29 10 00 007			1		22a
Spring	16 10 00 019	1	1			23
Spring	29 10 00 011			1		23a
Locking member	16 10 00 013	1	1			24
Locking member	29 10 00 006			1		24a
Seal ring	16 10 00 025	2	2	2		25
Seal ring	16 10 00 026	2	2	2		26
Brake operating lever	16 10 00 504	1	1		117 mm long → 50 340 / 52 750	—
Brake operating lever	16 10 01 014	1	1		105 mm long 50 341 / 52 751 → → 482 754 / 522 989	27
Brake operating lever	16 10 03 014	1				(angled eyelet) 482 755 / 522 990 →
Brake operating lever	16 10 04 014		1			29
Brake operating lever	29 10 01 010			1		29a
Circlip	24x1,2 DIN 471	2	2	1		30
Circlip	22x1,2 DIN 471			1		—
Shim	16 10 00 402	as req.	as req.	as req.	16,1x21x0,2; 0,4 mm for repair	—
<b>Crank, right</b>	16 10 00 016	1	1			31
<b>Crank, right</b>	29 10 00 002			1		—
<b>Crank, left</b>	16 10 00 017	1	1			32
<b>Crank, left</b>	29 10 00 001			1		—
Screw wedge	535 083 635	2	2	2		33
Spring washer	A 7 DIN 137	4	4	4		34
Nut	M 7 DIN 934	2	2	2		35
Spring ring	B 12 DIN 127	2	2	2		36
Nut	11 55 00 731	2	2	2		37
<b>Pedal w/reflector</b>	535 083 170	2	2	2		38
<b>Selector fork</b>	16 14 00 505	1	1	1		39
Washer	045 414 027	1	1	1	} include this part when ordering a selector fork up to engine - no 787 498 } optional	—
Washer	034 097 150	1	1	1		
Gear control shaft	16 14 00 002	1	1	1		40
Spring	16 14 00 007	1	1	1		41
Washer	16 14 00 006	1	1	1		42
Circlip	5 DIN 6799	2	2	2		43
Gear control lever	16 14 00 501	1	1	1		44
Pin	16 14 00 005	1	1		} → 92 805 / 99 003	45
Circlip	11 17 10 993	2	2			
Pin	16 14 01 005	1	1	1	92 806 / 99 004 →	—

Description	Order-No.	Quantity			Remarks	Illustr.-No.
		QUICKLY				
		2 Gears				
		N-S	L	T		
Seal ring	041 401 140	1	1	1		1
<b>Clutch body, inner</b>	16 13 00 503	1	1	1		2
Circlip	11x1 DIN 471	1	1	1		3
Clutch plate	16 13 00 501	2	2	2		4
Clutch plate	16 13 00 006	1	1	1		5
<b>Clutch pinion and outer body</b>	16 13 00 502	1	1	1		6
Bearing	16 13 00 600	1	1	1	15x32x9 mm	7
Spring retainer, inner	16 13 00 007	1	1	1		8
Spring	16 13 00 014	1	1	1		9
Spring retainer, outer	16 13 00 008	1	1	1		10
Spring washer	A 8 DIN 137	2	2	2		11
Nut	M 8x1 DIN 934	1	1	1		12
Clutch cup	16 13 00 504	1	1	1		13
Seal ring	16 13 00 016	1	1	1		14
Circlip	16 13 00 012	1	1	1		15
Clutch lever	16 13 00 011	1	1	1		16
Spindle	16 13 00 013	1	1	1		17
Circlip	5 DIN 6799	2	2	2		18





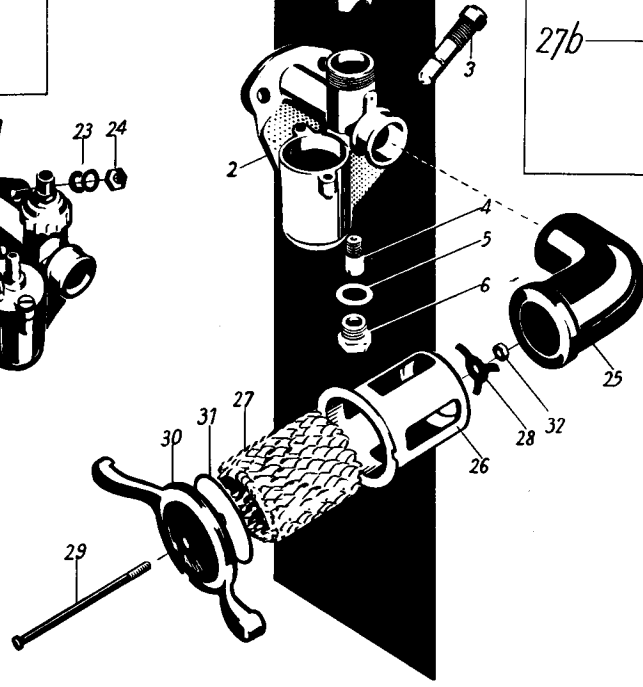
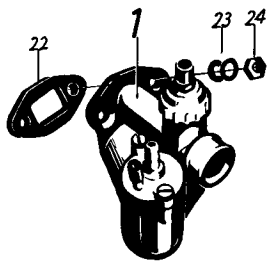
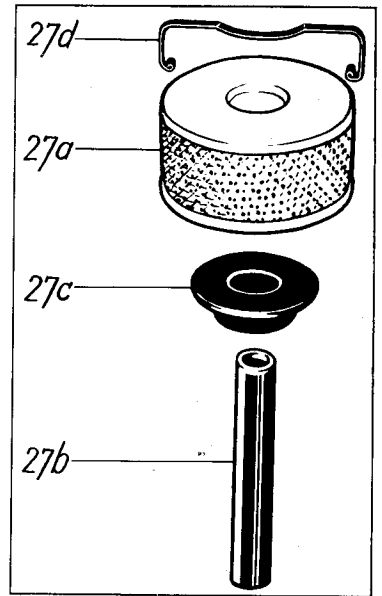
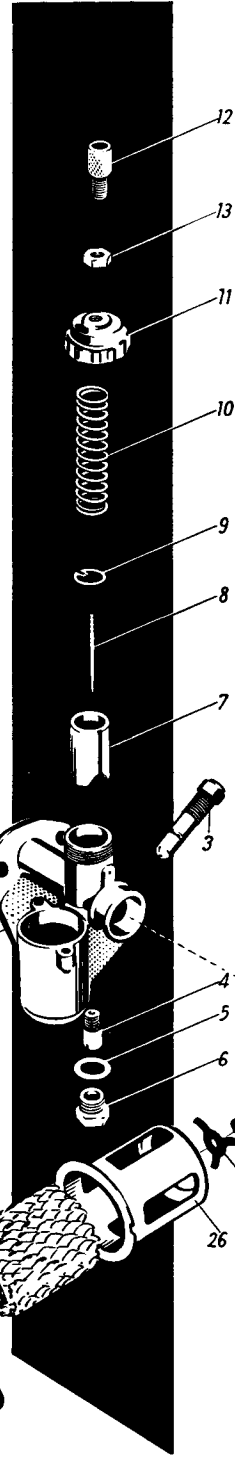
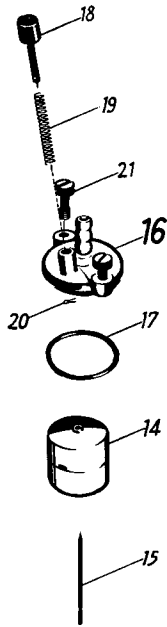
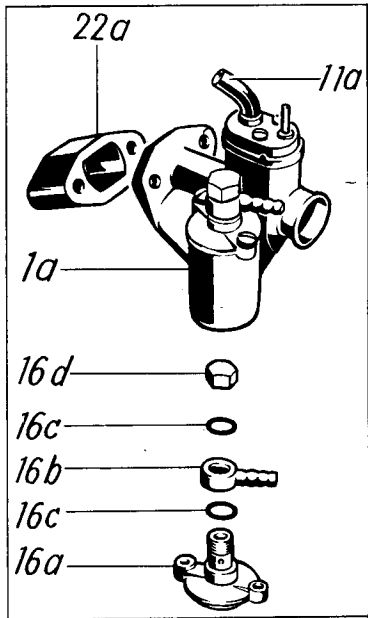


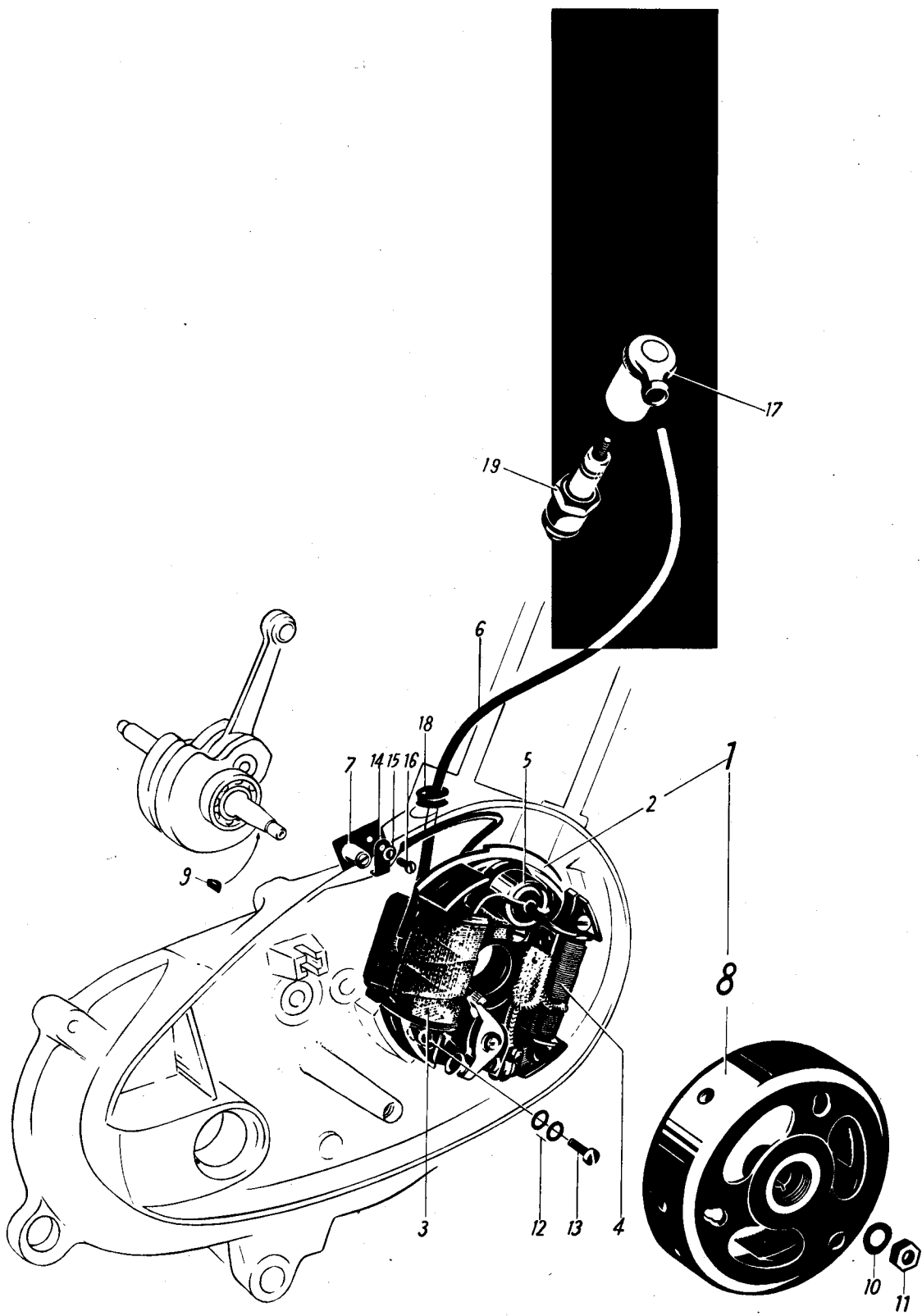
Description	Order-No.	QUICKLY			Remarks	Illustr.-No.
		2 Gears				
		N-S	L	T		
1 2 Carburettor 1/12/67	16 16 01 504	1	1			1
Carburettor 1/12/90	16 16 02 504	1	1			1a
Carburettor body	16 16 00 920	1	1			2
Carburettor body	16 16 01 920	1	1		} indicate stamed number ( 1/12/67=60 1/12/90=64 )	—
Main jet	16 16 00 910	1	1			3
Needle jet	16 16 00 909	1	1			4
Needle jet	16 16 01 909	1	1			—
Seal ring	16 16 00 917	1	1			5
Screw plug	16 16 00 908	1	1			6
Throttle slide	16 16 00 905	1	1			7
Throttle slide	16 16 01 905	1	1			—
Jet needle	16 16 00 904	1	1			8
Jet needle	16 16 01 904	1	1			—
Circlip	16 16 00 915	1	1			9
Spring	16 16 00 913	1	1			10
Air slide	16 16 00 926	1	1			—
Gasket	16 16 00 927	1	1			—
Screw cap	16 16 00 916	1	1			11
Cap	16 16 01 916	1	1			—
Spring	16 16 00 925	1	1			—
Pin	16 16 01 924	1	1		L = 23 mm	—
Screw	16 16 00 901	1	1			12
Screw	16 16 01 901	1	1			—
Nut	16 16 00 918	1	1		M 5	13
Nut	16 16 01 918	1	1		M 6	—
Screw	16 16 00 923	2	2			—
Float	16 16 00 902	1	1			14
Needle	16 16 00 903	1	1			15
Float chamber cover	16 16 00 919	1	1			16
Seal ring	16 16 00 912	1	1			17
Tickler	16 16 00 911	1	1			18
Spring	16 16 00 906	1	1			19
Split pin	16 16 00 907	1	1			20
Screw	16 16 00 914	2	2			21

Description Order-No. Quantity Remarks Illustr.-No.

QUICKLY

	Order-No.	2 Gears			Remarks	Illustr.-No.
		N-S	L	T		
Gasket	16 16 00 008	1	1			22
Gasket	29 16 00 005			1		22a
Spring washer	B 5 DIN 137	4	4	4		23
Nut	M 5 DIN 934	2	2	2		24
Hose	16 16 00 006	1	1	1		25
Hose	16 16 01 006	1	1		s. page 27, Illustr.-No. 30	—
Cup	16 16 00 002	1	1			26
Air filter	16 16 00 009	1	1			27
Air filter	16 16 01 009	1	1		s. page 27, Illustr.-No. 31	—
Cap	16 16 00 017	1	1		s. page 27, Illustr.-No. 32	—
Air filter	29 16 00 501			1		27a
Rubber Hose	29 16 00 003			1		27b
Seal ring	29 16 00 002			1		27c
Clamp	29 16 00 004			1		27d
Spring	16 16 00 004	1	1			28
Pin	16 16 00 005	1	1			29
Cover	16 16 00 003	1	1		→ 482 754 / 522 989	—
Cover	16 16 01 003	1	1		} 482 755 / 522 990 →	30
Gasket	16 16 00 014	1	1			31
Nut	M 3 DIN 985	1	1			32
Pin	16 16 00 019	1	1		} 62 mm long for legshield	—
Knob	16 16 00 018	1	1			—
Lid for leg-guard	16 93 01 519	1	1			—



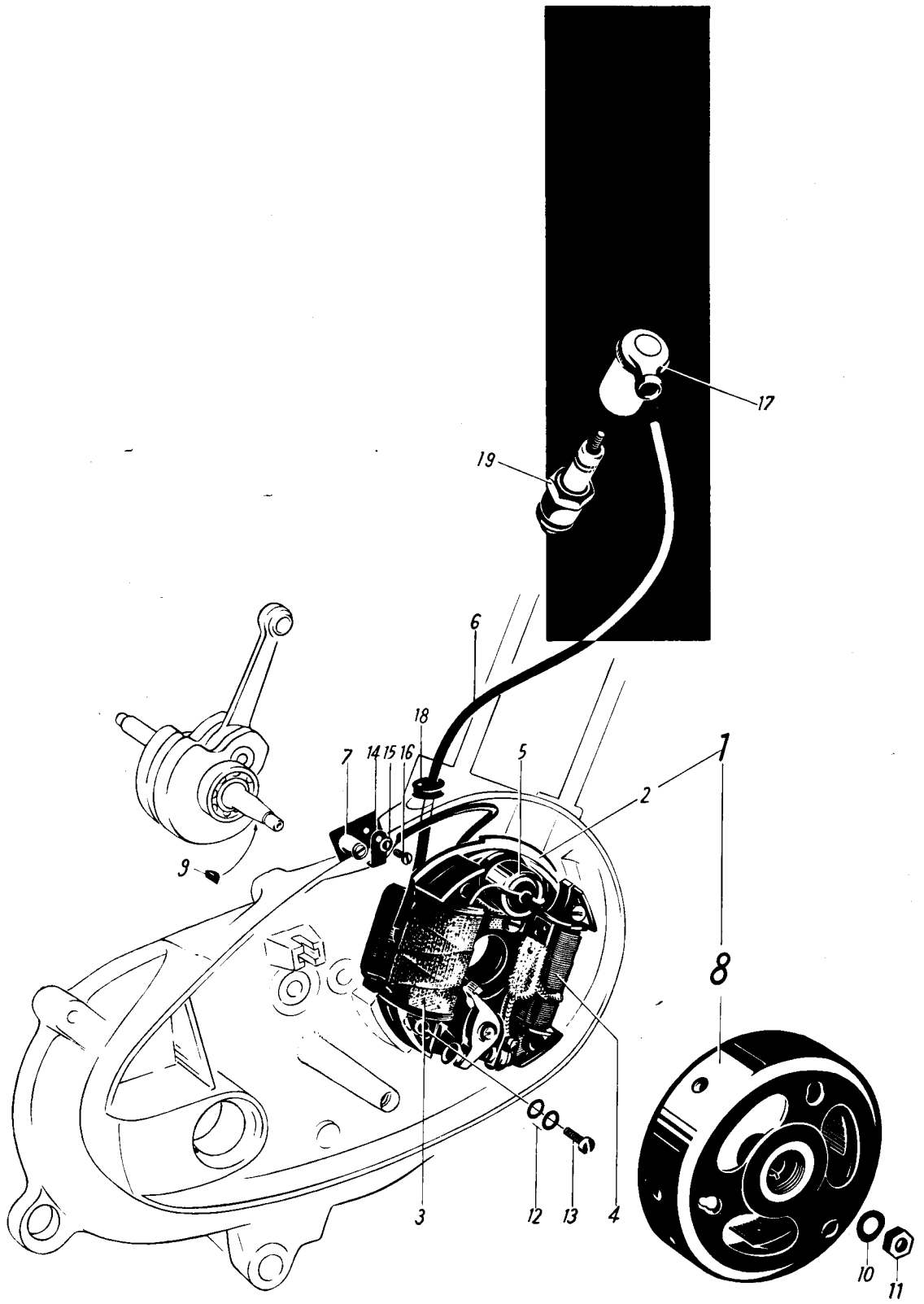


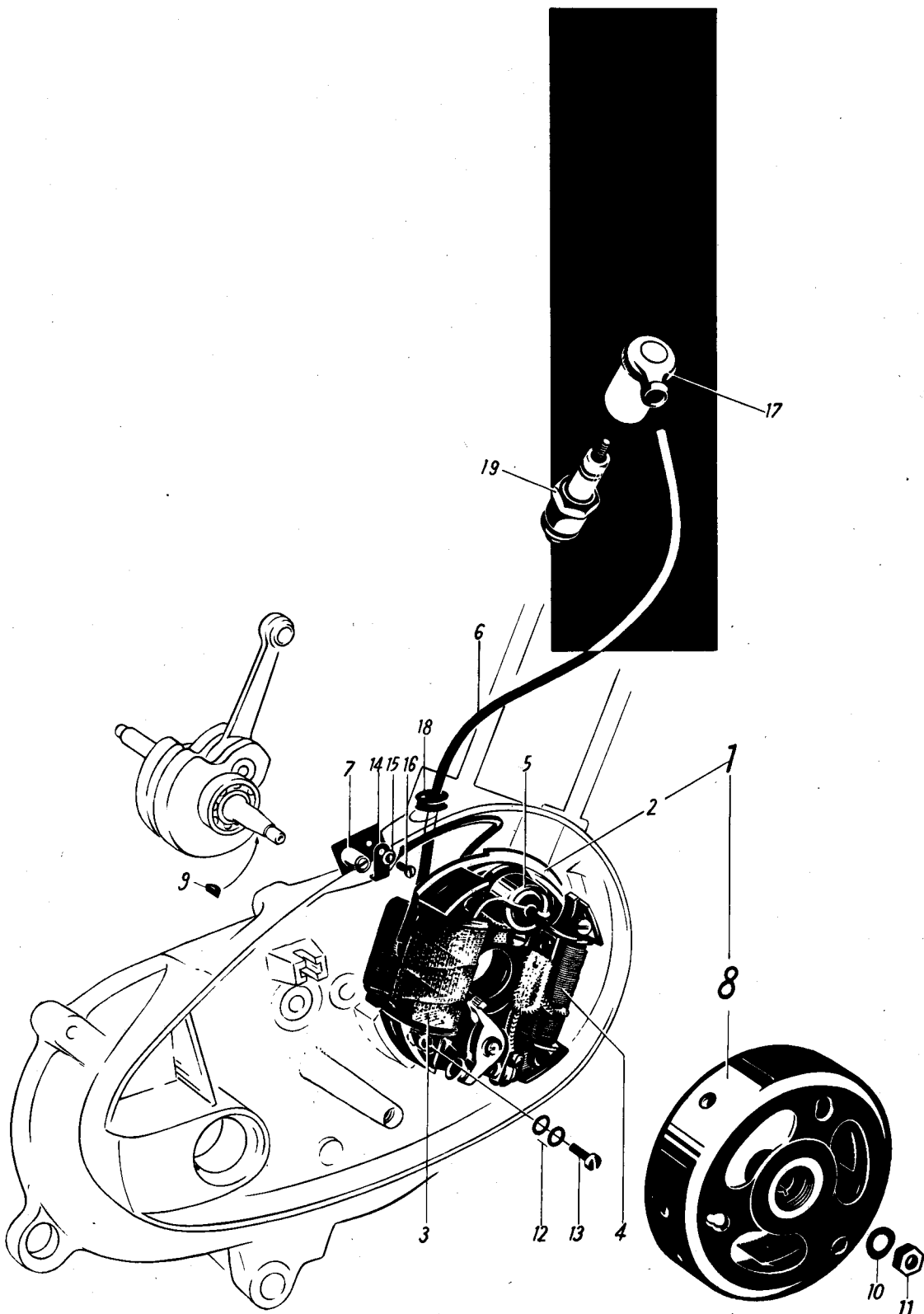
Description	Order-No.	Quantity			Remarks	Illustr.-No.
		QUICKLY				
		2 Gears				
		N-S	L	T		
		1	2	3	4	
<b>Magneto-generator</b> 3 Watt	16 17 00 501	1	1			{ Bosch LM/UPA 1/115/3 L 1, not supplied 1
<b>Base plate</b>	16 17 00 933	1	1			2
Ignition coil	16 17 00 919	1	1			3
Lock washer	B 4 DIN 127	2	2		→ 321 393 / 338 766	—
Screw	M 4x20 DIN 84	2	2			—
Lighting coil w/cable	16 17 00 921	1	1			4
Lock washer	B 4 DIN 127	2	2			—
Screw	M 4x18 DIN 84	2	2			—
<b>Magneto-generator</b> 17 Watt	16 17 00 503	1	1			{ Bosch LMUP 1/115/17 L 2 is not delivered for 3 Watt lighting installation order also head lamp inset and electric bulb continuously dimmed and 2 Watt-Tail lamp (s-Page 54)
<b>Base plate</b>	16 17 00 933	1	1			—
Ignition coil	16 17 00 920	1	1			—
Lock washer	B 4 DIN 127	2	2		321 394 / 338 767 → → 358 398 / 377 954	—
Screw	M 4x20 DIN 84	2	2			—
Lighting coil w/cable	16 17 00 922	1	1			—
Lock washer	B 4 DIN 127	2	2			—
Screw	M 4x22 DIN 84	2	2			—
Condenser	16 17 10 905	1	1		18 mm diam	5
Lubricating felt	16 17 00 924	1	1		felt with spring	—
Contact holder	16 17 00 925	1	1			—
Spring ring	B 4 DIN 127	1	1			—
Washer	4,3 DIN 433	1	1			—
Screw	M 4x12 DIN 84	1	1			—
Pivot for contact breaker	16 17 00 926	1	1			—
Contact breaker	16 17 00 927	1	1			—
Shim	011 098 150	as req.	as req.			—
Washer	4,3 DIN 433	1	1		→ 358 398 / 377 954	—
Spring ring	011 098 151	1	1			—
Screw	M 3x10 DIN 933	1	1			—
Washer	3,7 DIN 125	1	1			—
Insulating washer, large	041 410 090	2	2			—
Insulating washer, small	041 410 091	2	2			—
Spring ring	B 3 DIN 127	1	1			—
Nut	M 3 DIN 934	1	1			—
H. T Lead	16 17 00 900	1	1		L = 290 mm 5 diam	—
H. T Lead	16 17 01 900	1	1		L = 290 mm 7 diam	6
Terminalplate	16 17 00 928	1	1			7
Terminal screw	16 17 00 929	1	1		4 mm	—
<b>Flywheel</b>	16 17 00 930	1	1		Inner diam 90,5 mm → 321 393 / 338 766	8
<b>Flywheel</b>	16 17 00 931	1	1		Inner diam 90,5 mm 321 394 / 338 767 → → 358 398 / 377 954	—

Fixing parts s. page 14

Description	Order-No.	Quantity			Remarks	Illustr.-No.
<b>QUICKLY</b>						
<b>2 Gears</b>						
		N-S	L	T		
					s. page 15	
12						
<b>Magneto-generator</b> 17 Watt	16 17 01 503	1	1		Bosch LM/UPA 1/115/17 L 4 a. for 3 Watt lighting installation order also head lamp inset and electric bulb continuously dimmed and 2 Watt-tail lamp (s. page 54)	1
<b>Baseplate</b>	16 17 01 933	1	1			2
Ignition coil	16 17 01 920	1	1			3
Lighting coil	16 17 01 922	1	1			4
Spring ring	B 4 DIN 127	4	4			—
Screw	M 4x22 DIN 84	2	2			—
Screw	M 4x25 DIN 84	2	2			—
Condenser	16 17 10 905	1	1		18 mm diam	5
Lubricating felt	16 17 00 924	1	1		felt with spring } as felt with angle } required	—
Lubricating felt	041 410 523	1	1			—
Contact holder	16 17 00 925	1	1			—
Spring ring	B 4 DIN 127	1	1			—
Washer	4,3 DIN 433	1	1			—
Screw	M 4x12 DIN 84	1	1			—
Pivot for contact breaker-lever	16 17 00 926	1	1		358 399 / 377 955 →	—
Contact breaker lever	16 17 00 927	1	1			—
Shim	011 098 150	as req.	as req.			—
Washer	4,3 DIN 433	1	1			—
Spring ring	011 098 151	1	1			—
Bolt	M 3x10 DIN 933	1	1			—
Washer	3,7 DIN 125	1	1			—
Insulating washer, large	041 410 090	2	2			—
Insulating washer, small	041 410 091	1	1			—
Spring ring	B 3 DIN 127	1	1			—
Nut	M 3 DIN 934	1	1			—
H. T. Lead	16 17 01 900	1	1		L = 290 mm; 7 mm diam	6
Insulating clamp	16 17 00 936	1	1			—
Terminal plate	16 17 00 928	1	1			7
Terminal screw	16 17 00 929	1	1		4 mm	—
<b>Flywheel</b>	16 17 01 931	1	1		Inner diam 85,5 mm	8

Fixing parts s. page 14



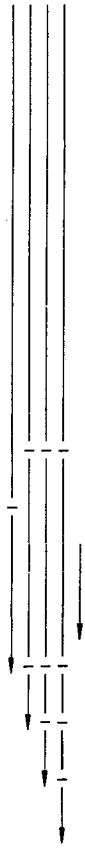


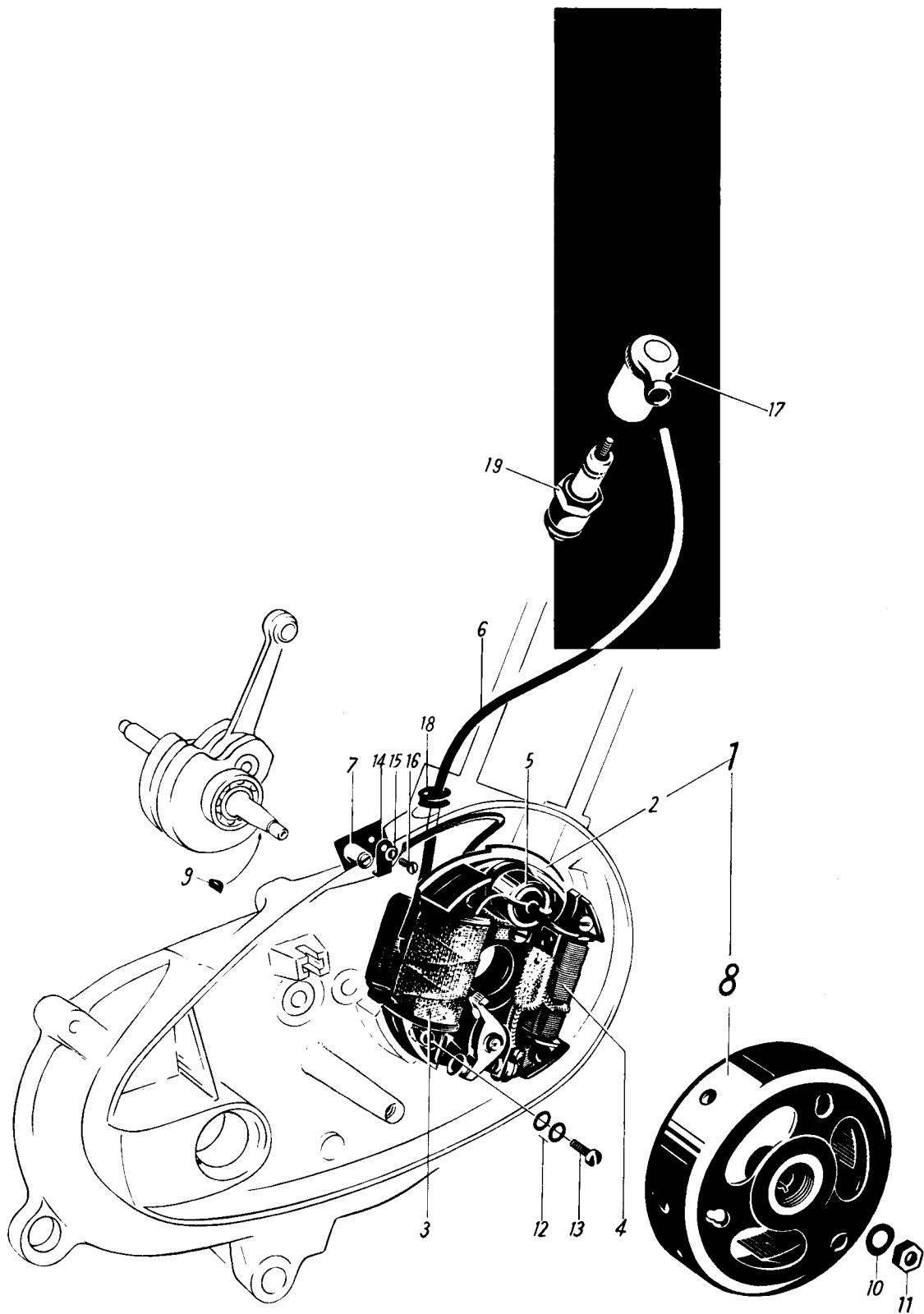


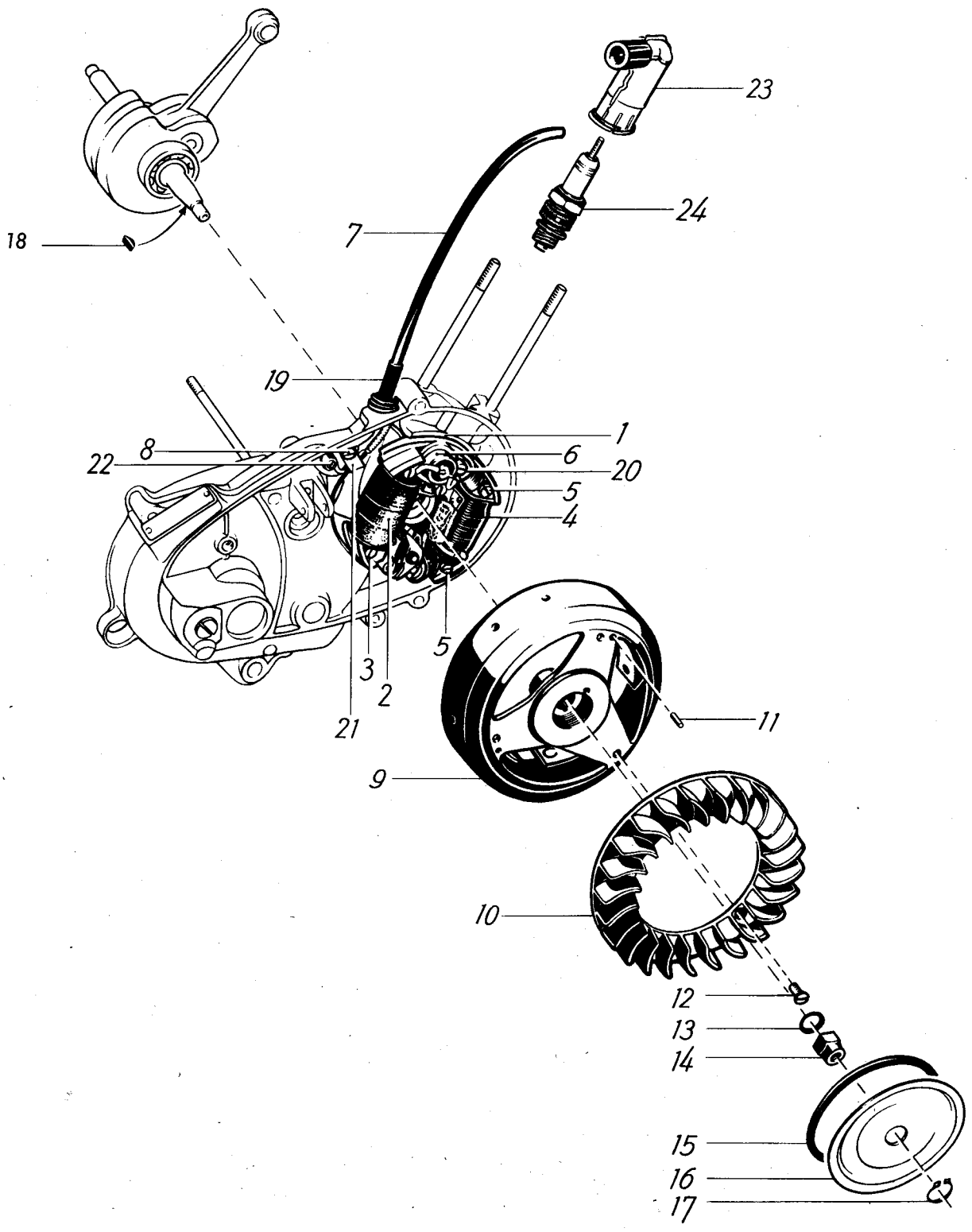
Description	Order-No.	Quantity	Remarks	Illustr.-No.	
					QUICKLY
		2 Gears			
		N-S	L	T	
				s. page 15	
	1 2 3 4 5 6 7				
<b>Magneto-generator</b> 3 Watt	16 17 00 502	1	1	{ NORIS ELZ 6/3/2 L Condenser 17 mm diam is not supplied → 155 053 / 165 433	—
Base plate	16 17 10 932	1	1		—
Ignition winding	16 17 10 903	1	1		—
<b>Magneto-generator</b> 3 Watt	16 17 01 502	1	1	{ NORIS ELZJ 3/9 L Condenser 18 mm diam is not supplied 155 054 / 165 434 → → 321 393 / 338 766	—
Base plate	16 17 11 932	1	1		—
<b>Magneto-generator</b> 17 Watt	16 17 01 504	1	1	{ NORIS ELZJ 17/4 L 321 394 / 338 767 → → 542 388 / 588 147 not supplied	1
<b>Magneto-generator</b> 17 Watt	16 17 02 504	1	1		{ NORIS ELZJE 17/2 L 1 542 389 / 588 148 →
Base plate	16 17 11 932	1	1	155 054 / 165 434 →	
Ignition winding	16 17 11 903	1	1		3
Lock washer	A 4,3 DIN 6798	2	2		—
Screw	AM 4x19 DIN 84	2	2		—
Lighting coil	16 17 10 916	1	1	→ 321 393 / 338 766	—
Lighting coil	16 17 10 904	1	1	{ 321 394 / 338 767 → → 542 388 / 588 147	4
Lighting coil	16 17 12 904	1	1	542 389 / 588 148 →	—
Lock washer	A 4,3 DIN 6798	2	2		—
Screw	AM 4x16 DIN 84	2	2	→ 321 393 / 338 766	—
Screw	AM 4x25 DIN 84	2	2		—
Screw	AM 4x21 DIN 84	2	2	{ pay attention to length 321 394 / 338 767 →	—
Condenser	11 17 10 916	1	1	{ 17 mm diam → 155 053 / 165 433	—
Condenser	16 17 10 905	1	1	{ 18 mm diam 155 054 / 165 434 →	5
Insulating plate	16 17 10 906	1	1		—
Lubricating felt	16 17 00 924	1	1	felt with spring	} as required
Lubricating felt	041 410 523	1	1	felt with angle	
Spring ring	B 4 DIN 127	1	1		—
Screw	AM 4x8 DIN 84	1	1		—
Contact holder	16 17 10 908	1	1		—
Eccentric pin	16 17 10 907	1	1		—
Spring ring	B 4 DIN 127	1	1		—
Washer	11 17 10 994	1	1		—
Screw	AM 4x10 DIN 84	1	1		—
Pivot for contact breaker lever	16 17 10 909	1	1		—

Description	Order-No.	Quantity			Remarks	Illustr.-No.
		QUICKLY				
		2 Gears				
		N-S	L	T		
Contact breaker lever	16 17 00 927	1	1		s. page 15	—
Circlip	11 17 10 993	1	1			—
Bolt	M 3x9 DIN 933	1	1			—
Washer	11 17 10 912	1	1			—
Insulating washer, large	11 17 10 996	2	2		12 mm diam	—
Insulating washer, small	11 17 10 923	1	1		6 mm diam	—
Washer	11 17 10 997	1	1			—
Spring ring	B 3 DIN 127	1	1			—
Nut	M 3 DIN 934	1	1			—
Contact-breaker-to-condenser lead	16 17 10 910	1	1			—
H. T. Lead	16 17 00 900	1	1		L = 290 mm, 5 diam → 155 053 / 165 433	—
H. T. Lead	16 17 01 900	1	1		L = 290 mm, 7 diam 155 054 / 165 434 →	6
Terminalplate	16 17 10 911	1	1			7
H. T. Lead	16 17 10 901	1	1		L = 175 mm	—
Terminal screw	16 17 10 912	1	1			—
Flywheel	16 17 10 915	1	1		→ 155 053 / 165 433	—
Flywheel	16 17 11 915	1	1		{ 155 054 / 165 434 → → 321 393 / 338 766	—
Flywheel	16 17 10 913	1	1		{ 321 394 / 338 767 → → 542 388 / 588 147	8
Flywheel	16 17 12 913	1	1		542 389 / 588 148 →	—
<b>Fixing parts for generators</b>						
Woodruff key	2x3,7 DIN 6888	1	1		} for Flywheel	9
Spring washer	A 8 DIN 137	1	1			10
Nut	M 8x1 DIN 934	1	1			11
Spring washer	B 4 DIN 137	4	4		} for Base plate	12
Screw	AM 4x15 DIN 84	2	2			13
Clip	16 17 00 004	1	1			14
Spring washer	A 4 DIN 137	1	1		} for Terminal plate	15
Screw	AM 4x10 DIN 84	1	1			16
Terminal cap	011 109 070	1	1		→ 753 142 / 822 514	17
Terminal cap	16 17 00 507	1	1		{ 753 143 / 822 515 → also for vehicles prior to the above number if desired s. page 16, Illustr.-No. 23	—
Rubber sleeve (5 mm D)	16 17 00 002	1	1		hole 5 mm diam → 155 053 / 165 433	—
Rubber sleeve (7 mm D)	35 17 00 002	1	1		hole 7 mm diam 155 054 / 165 434 →	18
Spark plug	11 17 00 068	1	1		W 190 M 11 S	19

1 2 3 4 5

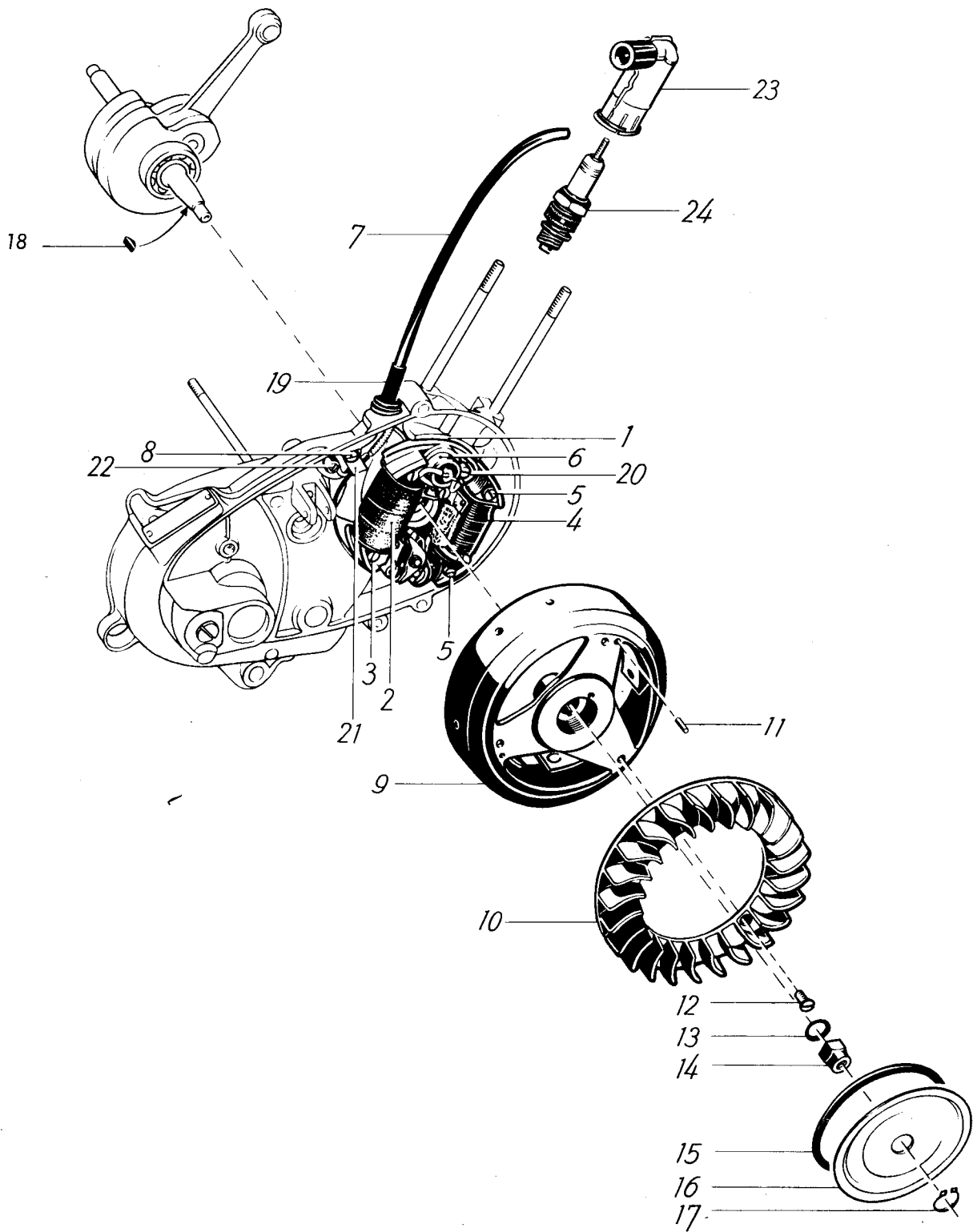


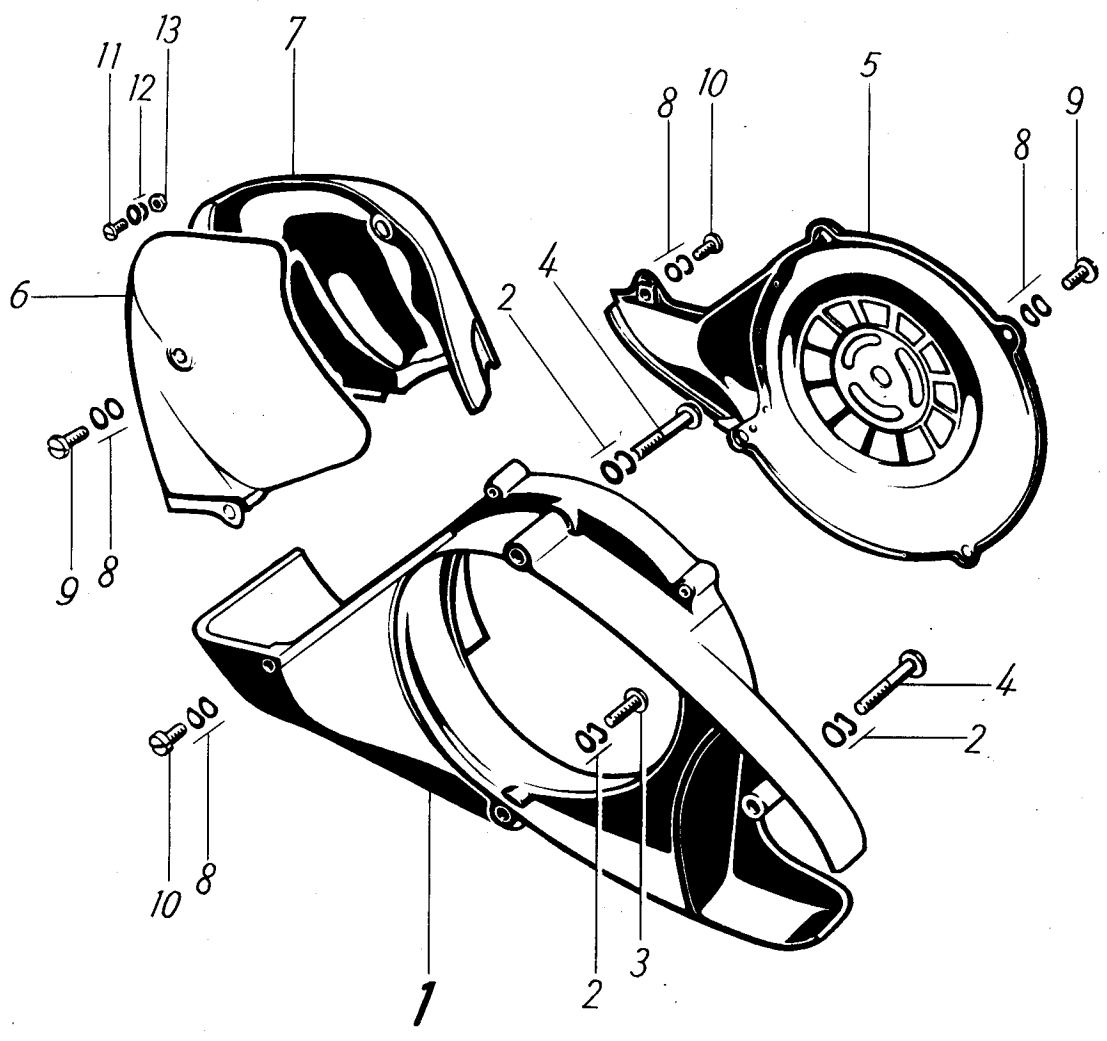




Description	Order-No.	QUICKLY			Remarks	Illustr.-No.
		2 Gears				
		N-S	L	T		
<b>Magneto-generator</b>	35 17 00 504			1	Bosch LM/UPA 1/115/17 L 8ml L (8 / 1) ml	—
<b>Base plate w/ignition coil lighting coil</b>	35 17 00 900			1		1
Base plate	35 17 00 910			1		—
<b>Ignition coil</b>	35 17 00 901			1		2
Spring ring	B 4 DIN 127			2		—
Screw	M 4x20 DIN 84			2		3
Insulating plate	35 17 00 909			1		—
<b>Lighting coil</b>	35 17 00 902			1		4
Spring ring	B 4 DIN 127			2		—
Screw	M 4x22 DIN 84			2		5
Condenser	16 17 10 905			1		6
Contact holder	35 17 00 904			1		—
Washer	4,3 DIN 433			1	} Fixing parts for generators	—
Spring ring	B 4 DIN 127			1		—
Screw	M 4x10 DIN 84			1		—
Eccentric pin	35 17 00 911			1		—
Contact breaker	16 17 00 927			1		—
Insulating washer	011 098 150			1-2		—
Circlip	4 DIN 6799			1		—
Pivot for contact breaker	35 17 00 912			1		—
Bolt for contact breaker	M 3x9 DIN 933			1		—
Washer	3,7 DIN 125			1		—
Insulating washer, large	041 410 090			2		—
Insulating washer, small	041 410 091			1		—
Washer	35 17 00 913			1		—
Spring ring	B 3 DIN 127			1		—
Nut	M 3 DIN 934			1		—
Lubricating felt	041 410 523			1	felt with angle	—
Spring ring	B 4 DIN 127			1		—
Screw	M 4x8 DIN 84			1		—

Description	Order-No.	QUICKLY			Remarks	Illustr.-No.
		2 Gears				
		N-S	L	T.		
Condenser to lead	35 17 00 914			1		—
H. T. lead	35 17 00 907			1	L = 290 mm	7
Terminal plate	35 17 00 915			1		8
<b>Flywheel</b>	35 17 00 908			1		9
Fan	29 19 00 004			1		10
Pin	4 h 8x6 DIN 7			2		11
Bolt	AM 4x8 DIN 63			3		12
Spring washer	A 8 DIN 137			1		13
Nut	29 17 00 002			1		14
Gasket	35 09 00 015			1		15
Washer	29 17 00 001			1		16
Circlip	12x1 DIN 471			1		17
Spring washer for Flywheel	2x3,7 DIN 6888			1		18
Rubber sleeve	35 17 00 002			1		19
Spring washer	B 4 DIN 137			4	} Fixing parts for generators	—
Screw	AM 4x15 DIN 84			2		20
Clip	16 17 00 004			1		21
Spring washer	A 4 DIN 137			1	} for Clip	—
Screw	AM 4x10 DIN 84			1		22
Terminal cap	16 17 00 507			1		23
<b>Spark plug</b>	11 17 00 068			1	W 190 M 11 S	24





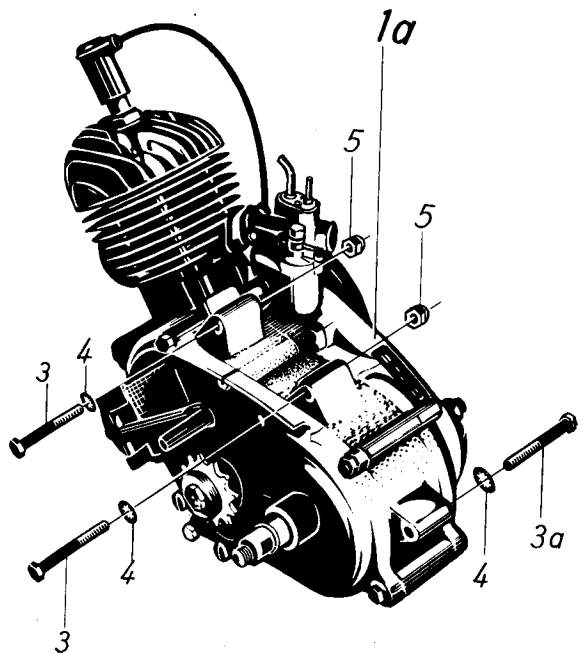
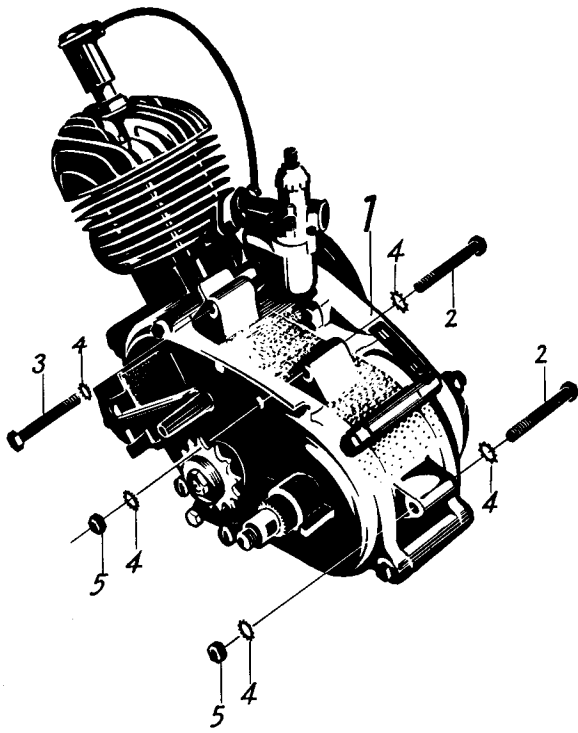


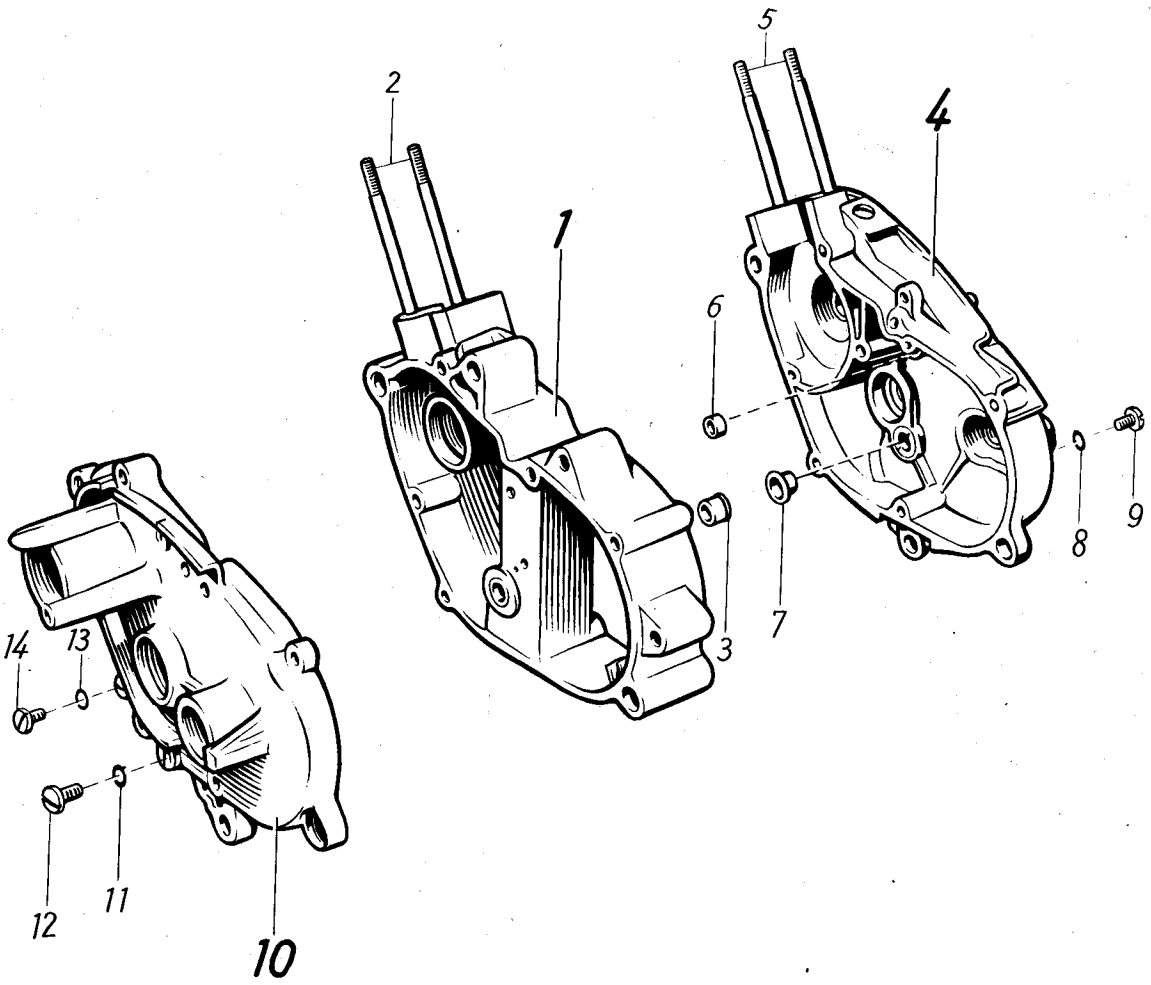
Description	Order-No.	Quantity			Remarks	Illustr.-No.
<b>QUICKLY</b>						
<b>2 Gears</b>						
N-S   L   T						
<b>Spirally wound casing</b>	29 19 00 008			1		1
Spring washer	A 6 DIN 137			6		2
Screw	AM 6x18 DIN 85			1		3
Screw	BM 6x38 DIN 85			2		4
<b>Fan cowling</b>	29 19 00 502			1		5
Air ducting, left	29 19 00 001			1		6
Air ducting, right	29 19 00 002			1		7
Spring washer	A 5 DIN 137			16		8
Screw	AM 5x15 DIN 85			6		9
Screw	AM 5x10 DIN 85			2		10
Screw	AM 4x6 DIN 85			2		11
Spring washer	A 4 DIN 137			4		12
Nut	M 4 DIN 934			2		13

Description Order-No. Quantity Remarks Illustr.-No.

QUICKLY

Description	Order-No.	3 Gears					Remarks	Illustr.-No.
		N-S	L	Cav.	T	TT		
Engine with generator and carburettor D 12 mm	16 00 02 903	1	1					1
Engine with generator and carburettor D 12 mm	16 00 90 907			1				—
Engine with generator and carburettor D 12 mm	29 00 00 902				1			—
Engine with generator and carburettor D 12 mm	39 00 00 901					1		1a
Bolt	16 01 00 038	NS 2 1	1			1	engine mounting parts for vehicles from frame/engine number 501 834 / 545 056 up. In case of earlier vehicles exchange the assembly of all the parts listed and rebore engine mounting holes in frame, on crankcase and carrying handle to 8,3 mm diam.; remove the threaded projection at the frame, and order 1 Nut 083 871 012 additionally	2
Bolt	16 01 00 039	1	1	2	2	1		3
Bolt for side support	16 93 00 058	S 1	1					—
Bolt	16 01 00 047			1	1	1		3a
Lock washer	J 8,4 DIN 6797	3	3	4	3	3		4
Nut	083 871 012	2	2	2	2	2	5	
Nut	034 099 167			1			—	



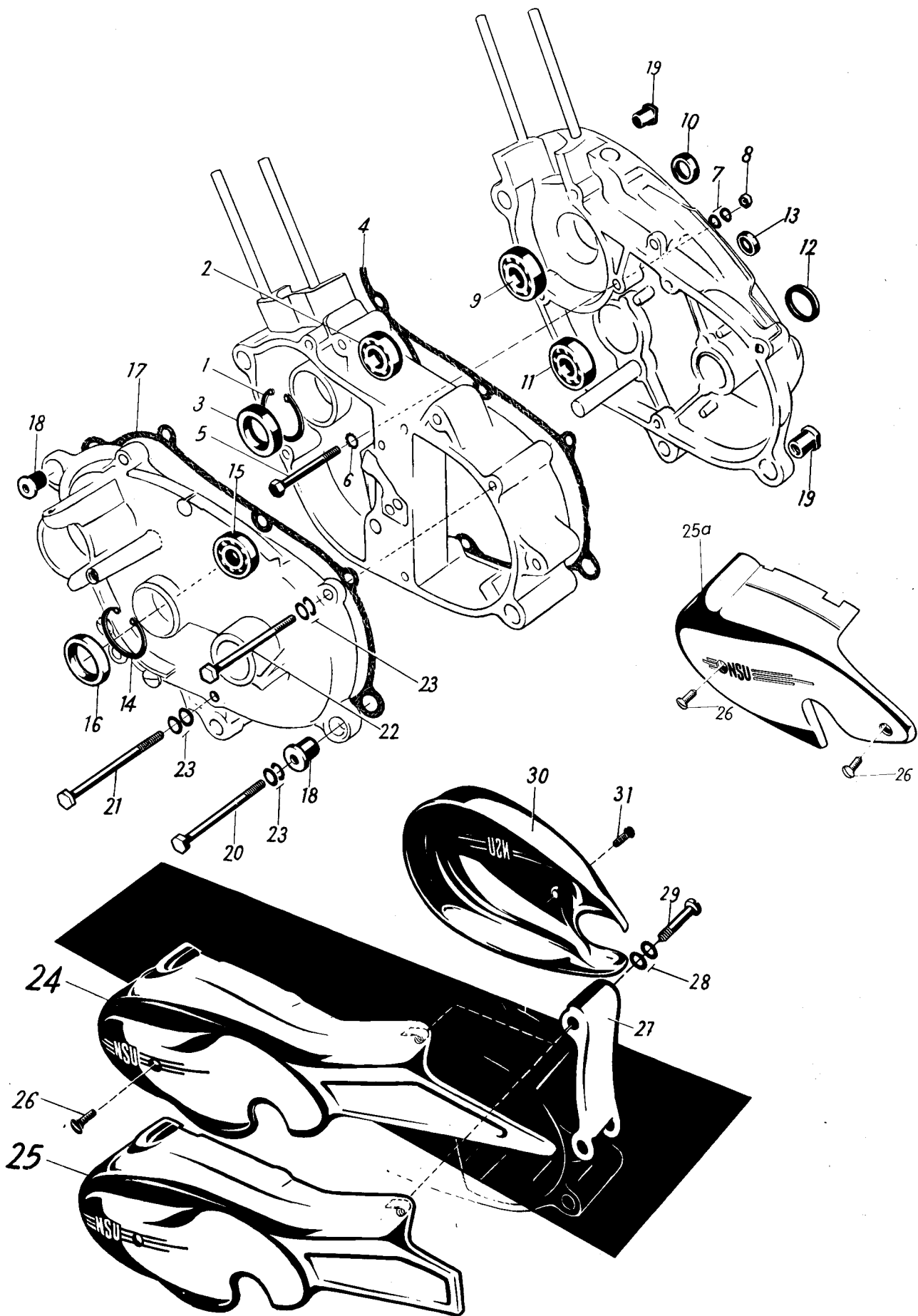


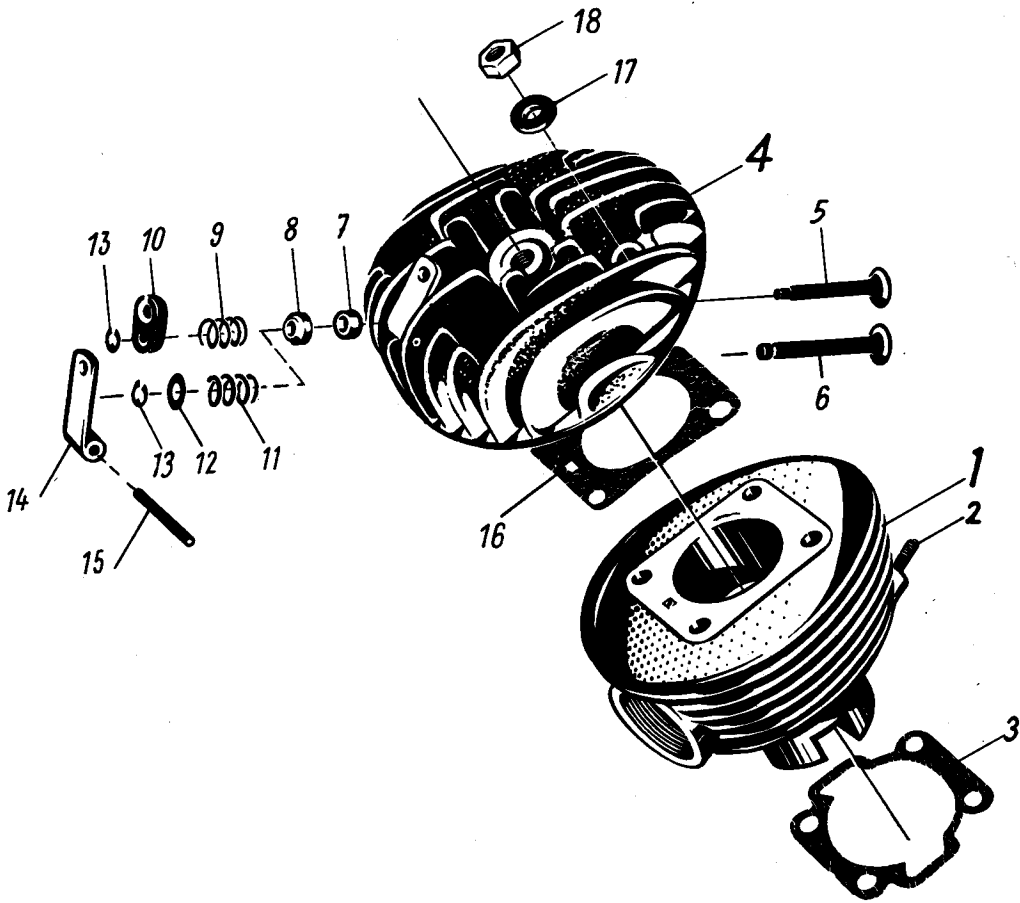
**Description**                      **Order-No.**                      **Quantity**                      **Remarks**                      **Illustr.-No.**

**QUICKLY**

	1	2	3	4	Order-No.	3 Gears					Remarks	Illustr.-No.
						N-S	L	Cav.	T	TT		
<b>Crankcase</b>					16 01 01 504	1	1	1				—
<b>Crankcase</b>					29 01 00 502				1	1		—
<b>Crankcase half, left</b>					16 01 02 502	1	1	1	1	1		1
Stud					AM 7x85 DIN 835	2	2	2	2	2		2
Bush					16 01 00 040	1	1	1	1	1		3
<b>Crankcase half, right</b>					16 01 01 901	1	1	1				4
<b>Crankcase half, right</b>					29 01 00 901				1	1		—
Stud					AM 7x85 DIN 835	2	2	2	2	2		5
Bush					16 01 01 026	1	1	1	1	1		6
Bush					16 01 00 046	1	1	1	1	1	7 43 607 → Engine-No.	7
Bush					16 01 00 402	1	1	1			→ Engine-No. 743 606	—
Seal ring					A 8x12 DIN 7603	1	1	1	1	1		8
Screw plug					16 01 00 025	1	1	1	1	1		9
<b>Cover, left</b>					16 01 01 500	1	1	1				10.
<b>Cover, left</b>					29 01 00 903				1	1		—
Seal ring					16 01 00 028				1	1	21x28x5,5 mm	—
Seal ring					A 8x12 DIN 7603	1	1	1	1	1		11
Screw plug					16 01 00 025	1	1	1	1	1		12
Seal ring					A 6x12 DIN 7603	1	1	1	1	1		13
Screw					RiM 6x8 DIN 85	1	1	1	1	1		14

Description	Order-No.	Quantity					Remarks	Illustr.-No.
		QUICKLY						
		3 Gears						
		N-S	L	Cav.	T	TT		
<b>Additional parts for left crankcase</b>								
Circlip	35x1,5 DIN 472	1	1	1	1	1		1
Bearing	011 055 770	1	1	1	1	1	15x35x11 mm	2
Seal ring	16 01 00 034	1	1	1	1	1	20x35x7 mm	3
Gasket	16 01 01 015	1	1	1	1	1		—
Bolt	M 6x50 DIN 931	1	1	1	1	1		—
Lock washer	A 6,4 DIN 6798	1	1	1	1	1		6
Spring washer	B 6 DIN 137	2	2	2	2	2		7
Nut	M 6 DIN 934	1	1	1	1	1		8
<b>Additional parts for right Crankcase half</b>								
Bearing	011 055 770	1	1	1	1	1	15x35x11 mm	9
Seal ring	16 01 00 033	1	1	1	1	1	15x24x7 mm	10
Bearing	16 01 00 601	1	1	1	1	1	10x30x9 mm, s. page 23	—
Seal ring	16 01 00 028	1	1	1			21x28x5,5	12
Seal ring	16 01 01 027	1	1	1	1	1	9x18x5 mm	—
Seal ring	16 01 00 050	1	1	1	1	1		—
<b>Additional parts for left-hand cover</b>								
Circlip	32x1,2 DIN 472	1	1	1	1	1		14
Bearing	021 105 512	1	1	1	1	1	12x32x10 mm	15
Seal ring	16 01 00 032	1	1	1	1	1	12x32x7 mm	16
Gasket	16 01 01 014	1	1	1	1	1		—
<b>Crankcase assembling parts</b>								
Sleeve	16 01 00 008	2	2	2	2	2		18
Sleeve Length of thread = 6,5 mm	16 01 00 017	2	2	2			→ 791 729 / 880 138	19
Sleeve Length of thread = 22,5 mm	16 01 00 017	2	2	2	2	2	791 730 / 880 139 →	—
Bolt	M 6x65 DIN 931	2	2	2			→ 791 729 / 880 138	20
Bolt	M 6x55 DIN 931	2	2	2	2	2	791 730 / 880 139 →	—
Bolt	M 6x80 DIN 931	5	5	5	5	5		21
Bolt	M 6x72 DIN 931	1	1	1	1	1		22
Spring washer	B 6 DIN 137	16	16	16	16	16		23
Gasket set	16 01 01 900	1	1	1				—
Gasket set	29 01 00 904				1	1		—
<b>Chain cover</b>	16 01 00 501	1						24
<b>Chain cover</b>	16 01 01 501		1					25
<b>Chain cover</b>	16 01 90 509			1				—
<b>Chain cover</b>	29 01 00 001				1	1		25a
Screw	AM 6x15 DIN 91	1	1	1	2	2		26
Spring washer	B 6 DIN 137			2				—
Bolt	M 6x12 DIN 933			1				—
Coverplate	16 01 00 505	1	1					27
Spring washer	B 6 DIN 137	2	2					28
Pointed screw	M 6x55 DIN 85	1	1					29
<b>Cover, right</b>	16 01 00 009	1	1	1				30
Screw	M 6x18 DIN 88	1	1	1				31
<b>Cover, right</b>	39 01 00 002					1		—
Screw	M 6x18 DIN 88					1	→ 3 905 569 / 3 905 440	—
Spacer	39 01 00 003					1		—
Screw	M 6x30 DIN 88					1	} 3 905 570 / 3 905 441 →	—





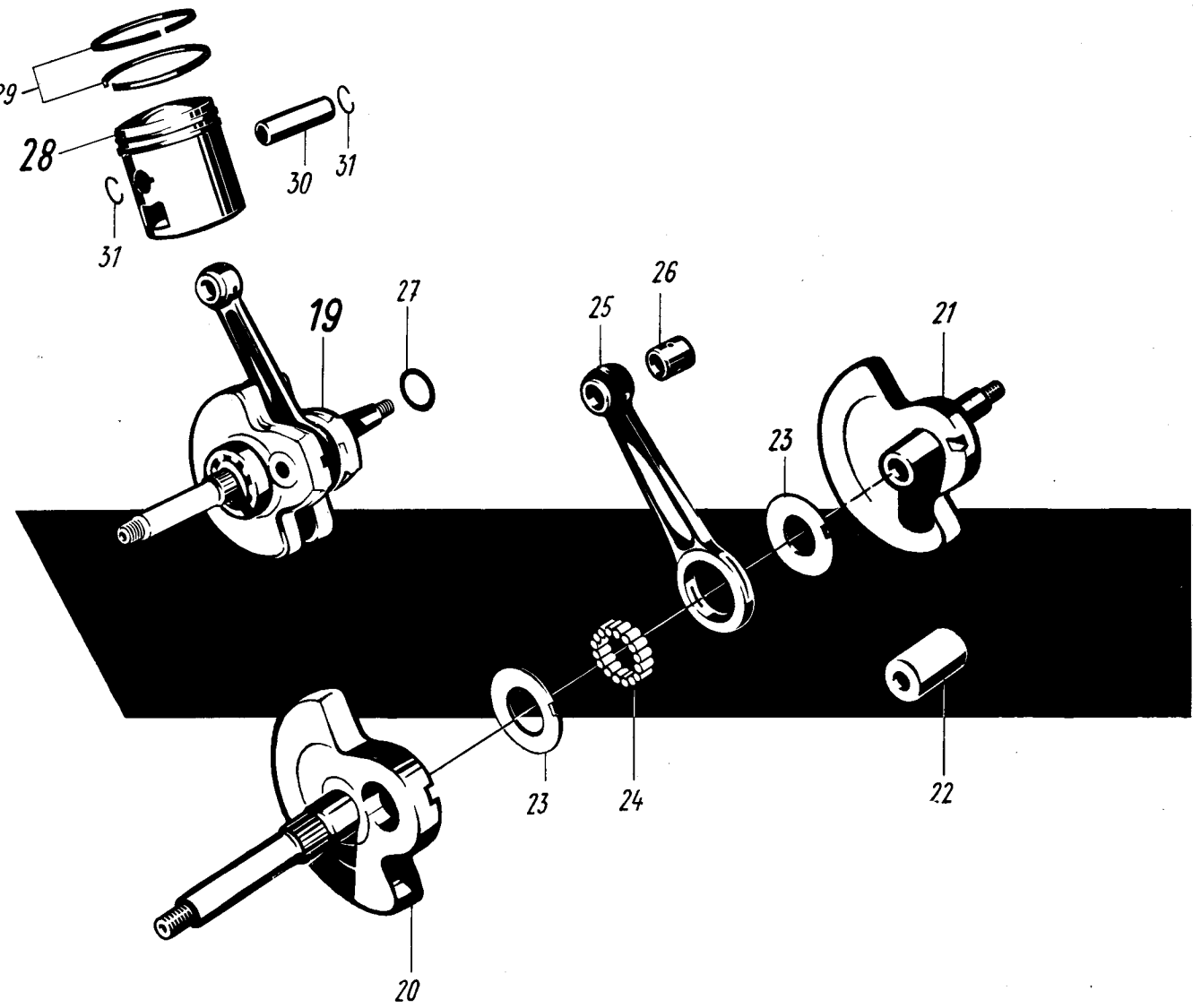


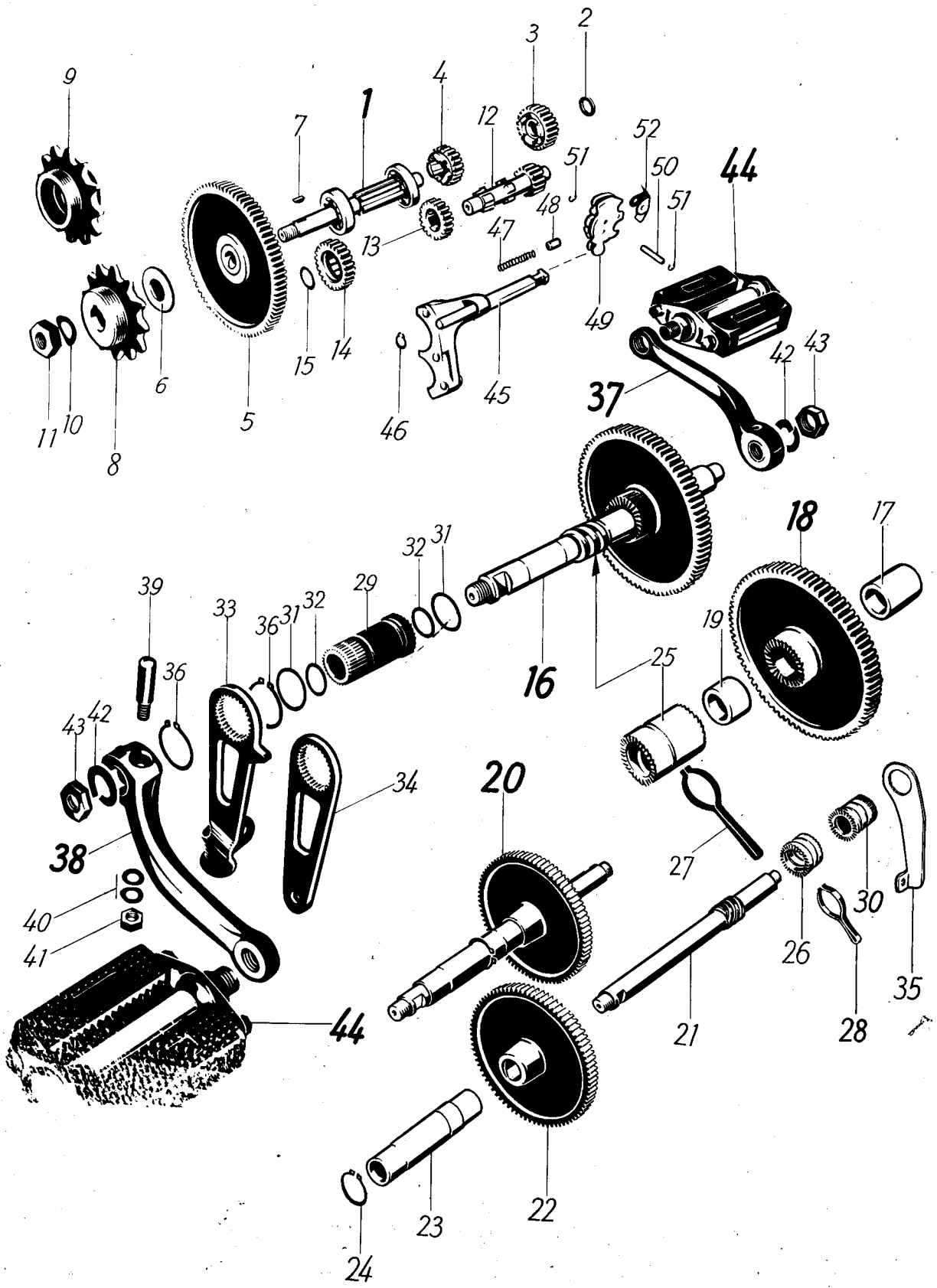
Description	Order-No.	Quantity	Remarks	Illustr.-No.	QUICKLY					
					3 Gears					
					N-S	L	Cav.	T	TT	
										1 2 3 4 5
Cylinder with piston	16 02 00 502	1	height of the cylinder 60,6 mm	—	1	1	1			
Cylinder with piston	16 02 01 502		→ 2 907 927 / 2 908 109	—				1		
Cylinder with piston	29 02 00 503		height of the cylinder 59,6 mm	—				1	1	
Cylinder	16 02 00 500	1	2 907 928 / 2 908 110 →	1	1	1				
Cylinder	16 02 01 500		not supplied separately	—				1		
Cylinder	29 02 00 504		→ 2 907 927 / 2 908 109	—				1	1	
Stud	16 02 00 008	2	2 907 928 / 2 908 110 →	—	2	2	2			
Stud	16 02 01 008			—				2	2	
Gasket	16 02 00 006	1		3	1	1	1	1	1	
Cylinder head	16 02 00 501	1	→ 482 754/522 989 is not supplied	—	1	1				
Cylinder head	16 02 01 501	1	16 02 01 501 and Bowdencable	—	1	1	1			
Cylinder head	29 02 00 501		16 44 01 504 order also	—				1		
Cylinder head	29 02 00 505		482 755/522 990→	4				1		
Cylinder head	39 02 00 502		→ 2 907 927/2 908 109	—				1	1	
Valve	16 02 00 004	1	TT→ 3 902 240/3 902 214 T 2 907 928/2 908 110→	—	1	1			1	
Valve	16 02 01 004	1	3 902 241/3 902 215→	—	1	1				
Valve	29 02 00 006	1	→ 482 754/522 989	5	1	1				
Paking	16 02 00 009	1	L = 44 mm T → 2 907 927/2 908 109 482 755/522 990→	—	1	1	1	1		
Cap	16 02 00 010	1	L = 43 mm, with groove 2 907 928/2 908 110→	6	1	1	1	1		
Spring	011 095 858	1		7	1	1	1	1	1	
Thrust plate	16 02 00 005	1	→ 482 754 / 522 989	10	1	1				
Spring	16 02 00 016	1	L = 12 mm 482 755 / 522 990→	11	1	1	1	1	1	
Washer	16 02 00 015	1	TT 3 902 241 / 3 902 215→	12	1	1	1	1	1	
Circlip	11 17 10 993	1		13	1	1	1	1	1	
Release lever	16 02 01 013	1	482 755 / 522 990→ TT 3 902 241 / 3 902 215→	14	1	1	1		1	
Release lever	29 02 00 003		→ TT 3 902 240/3 902 214 T 2 900 001 / 2 900 041→	—				1	1	for repair
Rivet	A 3h11x22 DIN7341	1		15	1	1	1	1	1	
Circlip	29 02 00 002		TT → 3 902 240 / 3 902 214 L = 19,5 mm	—				1	1	
① Spring	—		is not supplied	—					1	
Spacking plag adaptor	081 802 089	1	for repair	—	1	1	1	1	1	
Gasket	16 02 00 007	1		16	1	1	1	1	1	
Washer	7,4 DIN 125	4		17	4	4	4	4	4	
Nut	M 7 DIN 934	4		18	4	4	4	4	4	

① Used as replacement

16 02 01 013	Release lever
A 3h 11x22 DIN 7341	Rivet
29 44 01 505	Decompressor cable
4 DIN 6799	Circlip

Description	Order-No.	Quantity					Remarks	Illustr.-No.
		N-S	L	Cav.	T	TT		
<b>QUICKLY</b>								
		<b>3 Gears</b>						
		N-S	L	Cav.	T	TT		
<b>Flywheel assy</b>	16 04 02 504	1	1	1	1	1		19
Ball bearing	—	2	2	2	2	2	15x35x11 mm s. page 20, Illustr.-No. 2, 9	—
Flywheel	16 04 02 011	1	1	1	1	1		20
Flywheel	16 04 01 901	1	1	1	1	1		21
Crankpin	16 04 00 004	1	1	1	1	1		22
Washer	16 04 01 007	2	2	2	2	2	16,7x33x1 mm	23
Roller	16 04 00 600	16	16	16	16	16	normal 4x6 DIN 5402 send in crankshaft assembly	24
Roller	16 04 00 600	16	16	16	16	16	+ 0,004 4x6 DIN 5402	—
Roller	16 04 00 600	16	16	16	16	16	+ 0,002 4x6 DIN 5402	—
Roller	16 04 00 600	16	16	16	16	16	as req. - 0,002 4x6 DIN 5402	—
Roller	16 04 00 600	16	16	16	16	16	- 0,004 4x6 DIN 5402	—
Roller	16 04 00 600	16	16	16	16	16	- 0,006 4x6 DIN 5402	—
<b>Connecting rod</b>	16 04 01 502	1	1	1	1	1		25
Bush	16 04 00 003	1	1	1	1	1		26
Shim	012 098 209	as req.	as req.	as req.	as req.	as req.	15,2x22x0,2; 0,3; 0,5 mm NSL → Engine No. 892 389	27
Shim	16 04 00 015	as req.	as req.	as req.	as req.	as req.	T → 2 917 622 / 2 917 583	—
Shim	16 04 00 016	as req.	as req.	as req.	as req.	as req.	TT → 3 906 876 / 3 906 943	—
Shim	16 04 00 017	as req.	as req.	as req.	as req.	as req.	16,9x22x0,2 mm NSL Engine-No. 892 390 →	—
<b>Piston w/Cylinder</b>	16 02 00 502	1	1	1			T 2 917 623 / 2 917 584 →	—
<b>Piston w/Cylinder</b>	16 02 01 502				1		TT 3 906 877 / 3 906 944 →	—
<b>Piston w/Cylinder</b>	29 02 00 503				1	1	→ 2 907 927 / 2 908 109	—
<b>Piston</b>	16 04 00 503	1	1	1	1	1	2 907 928 / 2 908 110 →	—
<b>Piston ring</b>	16 04 00 010	2	2	2	2	2	{ 40 mm diam not supplied separately	28
Grooved stud	16 04 00 014	2	2	2	2	2		29
Gudgeon pin	16 04 00 009	1	1	1	1	1		30
Circlip	16 04 00 013	2	2	2	2	2		31





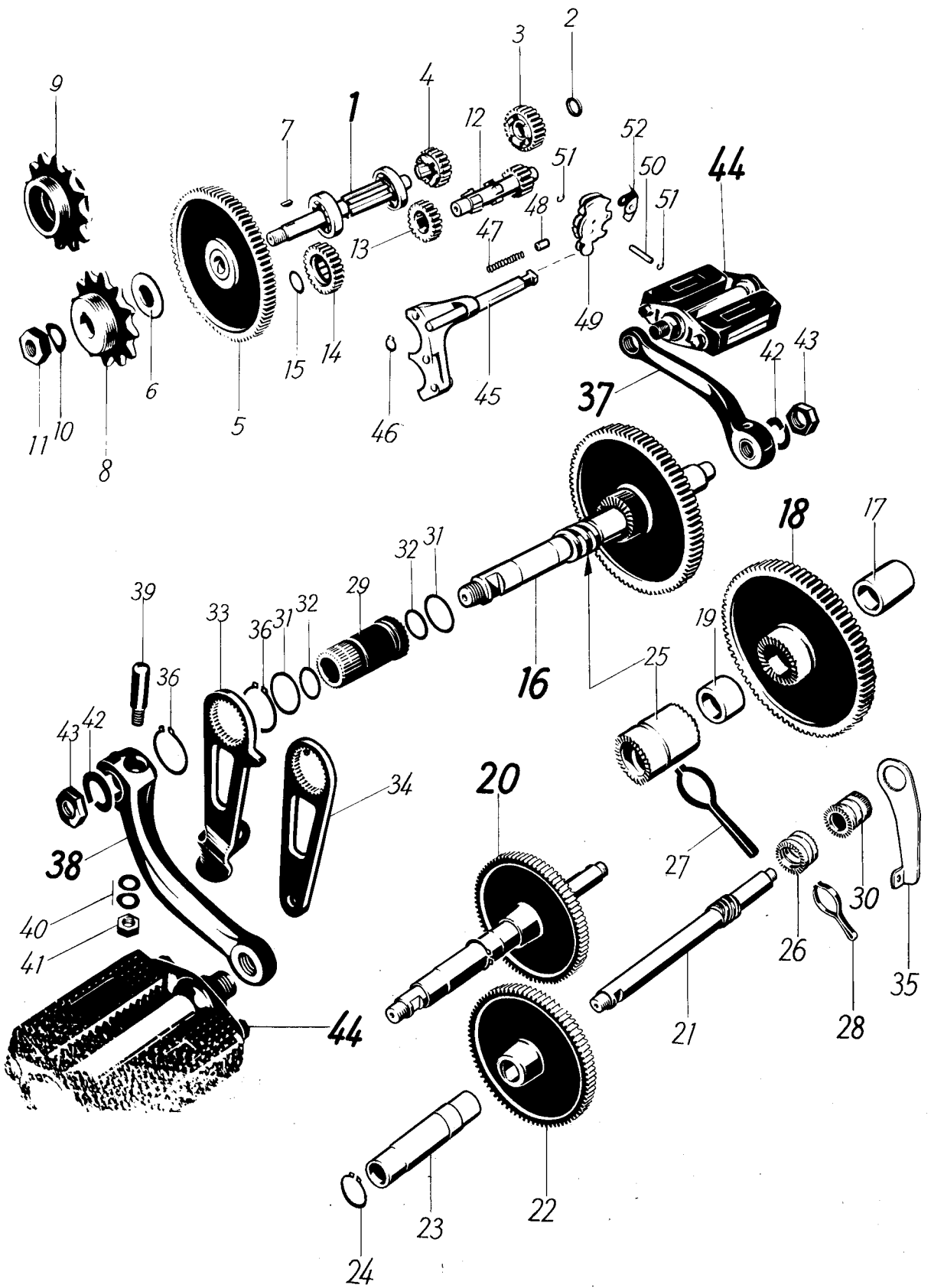
Description Order-No. Quantity Remarks Illustr.-No.

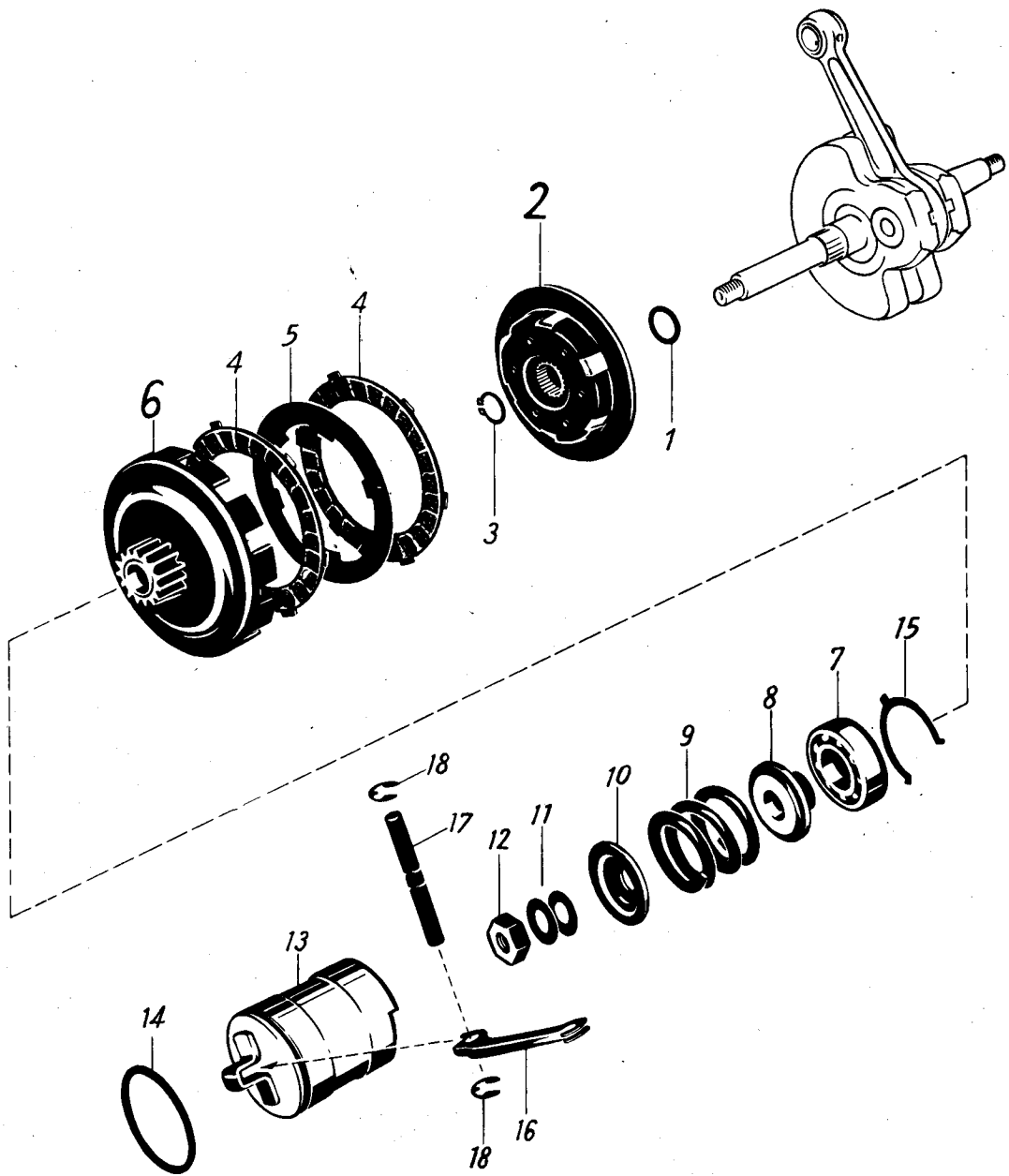
QUICKLY

		3 Gears						
		N-S	L	Cav.	T	TT		
Main shaft	16 10 02 507	1	1	1	1	1	(123 mm long)	1
Bearing	—	1	1	1	1	1	10x30x9 mm s. page 20	—
Bearing	—	1	1	1	1	1	12x32x10 mm s. page 20, Illustr.-No. 15	—
Washer	16 10 00 007	1	1	1	1	1	10,2x17x1 mm	2
Washer	16 10 00 022	as req.	as req.	as req.	as req.	as req.	12,1x23x0,5 mm	—
Gear	16 10 00 508	1	1	1	1	1	25 No of teeth	3
Gear	16 10 01 043	1	1	1	1	1	17 No of teeth	4
Gear	16 10 02 502	1	1	1	1	1	16 / 80 No of teeth	5
Gear	16 10 02 401	1	1	1	1	1	16 No of teeth	—
Shim	16 10 00 047	as req.	as req.	as req.	as req.	as req.	12,1x23x0,8 mm	6
Woodruff key	3x3,7DIN 6888	1	1	1	1	1		7
Sprocket	16 10 01 009	1	1	1	1	1	12 No of teeth	8
Sprocket	16 10 00 036	1	1	1	1	1	13 No of teeth optional	9
Spring washer	B 10 DIN 137	1	1	1	1	1		10
Nut	M 10x1 DIN 936	1	1	1	1	1		11
Main shaft	16 10 00 042	1	1	1	1	1	16 No of teeth	12
Gear	16 10 01 044	1	1	1	1	1	17 No of teeth	13
Gear	16 10 03 005	1	1	1	1	1	25 No of teeth	14
Washer	16 10 00 048	1	1	1	as req.	1	11,1x17x0,5 mm	15
Washer	29 10 00 012				as req.		11,1x17x0,6 mm	—
Washer	29 10 00 013				as req.		11,1x17x0,7 mm	—
Washer	29 10 00 014				as req.		11,1x17x0,8 mm	—
Washer	29 10 00 015				as req.		11,1x17x0,9 mm	—
<b>Crank axle</b>	16 10 01 503	1	1	1				16
Crank axle	16 10 00 010	1	1	1				—
Spacer	16 10 01 015	1	1	1			L = 31,2 mm	17
Gear	16 10 02 012	1	1	1			81 No of teeth	18
Spacer	16 10 00 046	1	1	1			L = 16,8 mm	19
<b>Crank axle</b>	29 10 00 501				1	1		20
Crank axle	29 10 00 003				1	1		21
Gear	29 10 00 008				1	1		22
Spacer	29 10 00 009				1	1		23
Circlip	21x1,2 DIN 471				1	1		24
Driver	16 10 02 011	1	1	1				25
Driver	29 10 00 007				1	1		26
Spring	16 10 00 019	1	1	1				27
Spring	29 10 00 011				1	1		28
Locking member	16 10 00 013	1	1	1				29
Locking member	29 10 00 006				1	1	for vehicles prior to 2 904 316 / 2 904 313 order also 1 Lockring 22x1,2 DIN 471	30
Seal ring	16 10 00 025	2	2	2	2	2		31

① for vehicles No. 728 744 / 803 518  
order also

Description	Order-No.	Quantity					Remarks	Illustr.-No.
<b>QUICKLY</b>								
<b>3 Gears</b>								
		N-S	L	Cav.	T	TT		
Seal ring	16 10 00 026	2	2	2	2	2	32	
Brake operating lever	16 10 01 014			1 for Bowden cable			33	
Brake operating lever	16 10 03 014	1		1 for Brake rod			34	
Brake operating lever	16 10 04 014		1				—	
Brake operating lever	29 10 00 010				1		for Pränafo-hub 35	
Brake operating lever	29 10 01 010				1	1	for NSU-hub —	
Circlip	24x1,2 DIN 471	2	2	2	2		→ 2 904 315 / 2 904 312 36	
Circlip	24x1,2 DIN 471				1	1	} 2 904 316 / 2 904 313 → —	
Circlip	22x1,2 DIN 471				1	1		
Shim	16 10 00 402	as req.	as req.	as req.	as req.	as req.	{ 16,1x21x0,2; 0,4 mm for repair —	
Crank, right	16 10 00 016	1	1	1		1	37	
Crank, right	29 10 00 002				1		—	
Crank, left	16 10 00 017	1	1	1		1	38	
Crank, left	29 10 00 001				1		—	
Crank	535 083 635	2	2	2	2	2	39	
Spring washer	A 7 DIN 137	4	4	4	4	4	40	
Nut	M 7 DIN 934	2	2	2	2	2	41	
Spring ring	B 12 DIN 127	2	2	2	2	2	42	
Nut	11 55 00 731	2	2	2	2	2	43	
<b>Pedal w/reflector</b>	535 083 170	2	2	2	2	2	44	
<b>Selector fork</b>	16 14 00 503	1	1	1	1	1	45	
Circlip	5 DIN 6799	1	1	1			→ 809 735 / 744 750 —	
Circlip	16 14 00 021	1	1	1	1	1	809 736 / 744 751 → 46	
Washer	29 14 00 001	1	1	1	1	1	47	
Pin	16 14 00 015	1	1	1	1	1	48	
Shim	16 14 00 504	1	1	1	1	1	49	
Pin	16 14 00 014	1	1	1	1	1	50	
Circlip	11 17 10 993	2	2	2	2	2	51	
Cap	16 14 00 017	1	1	1	1	1	52	





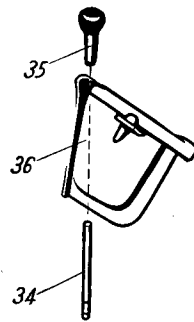
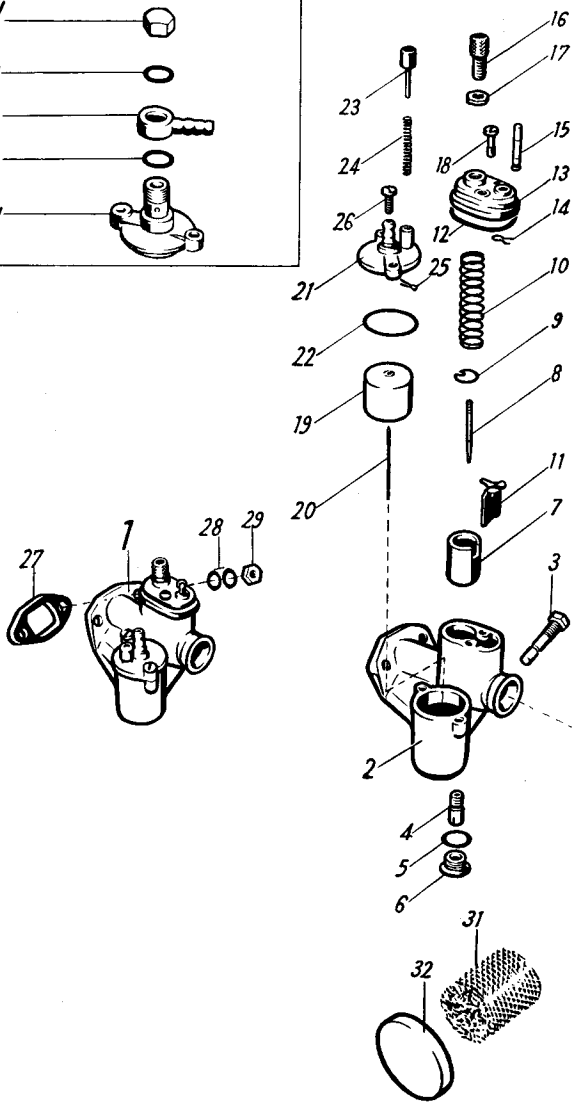
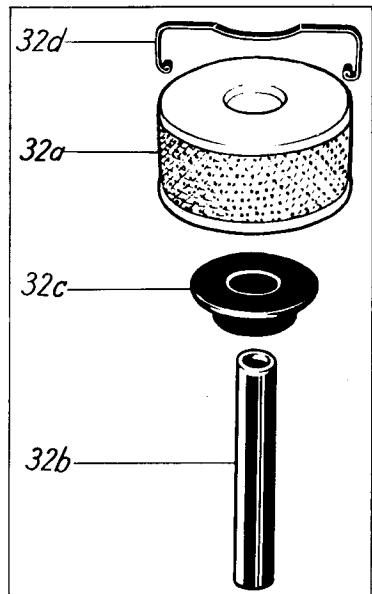
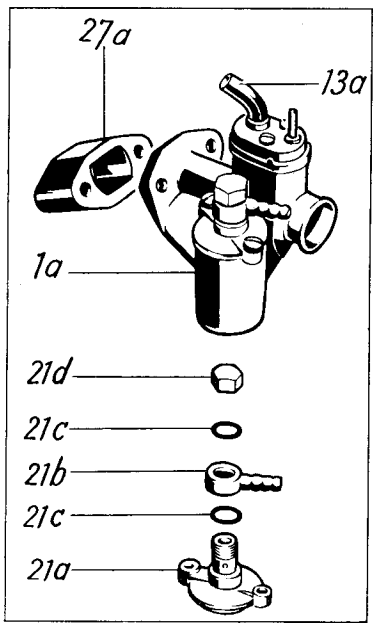


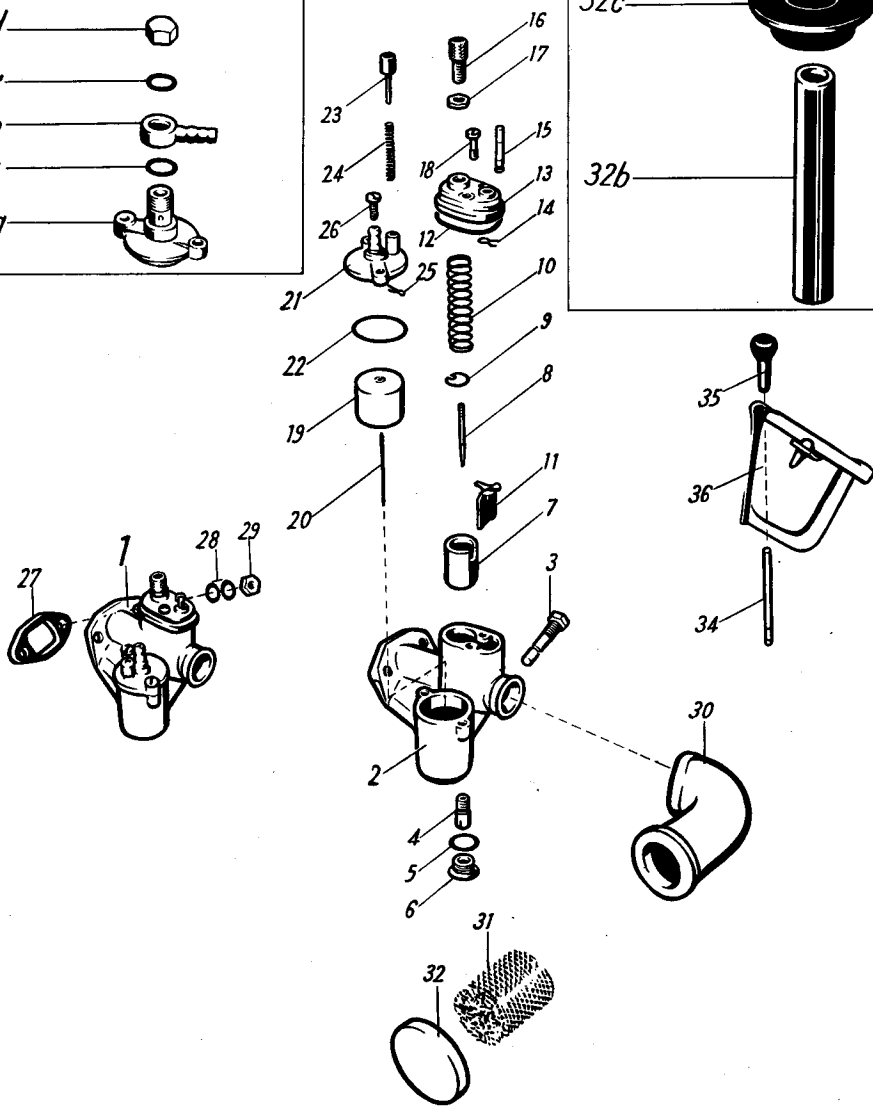
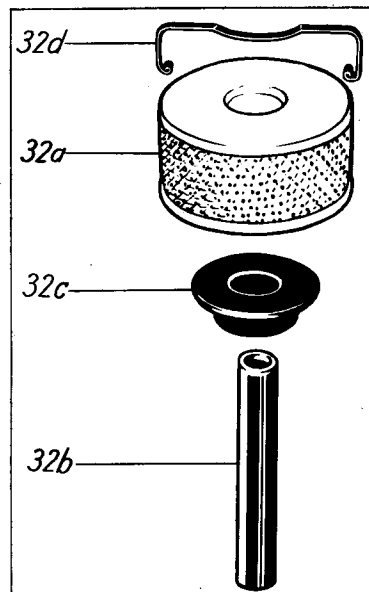
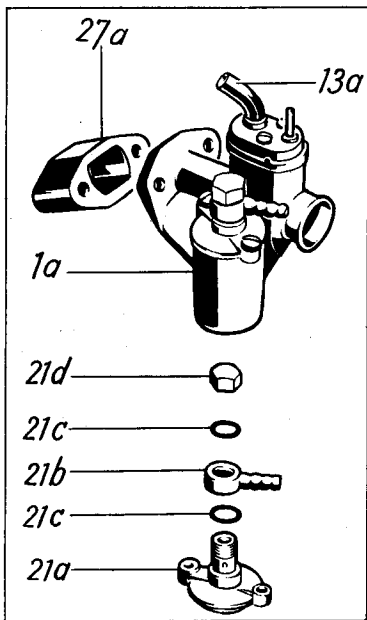
**Description**                      **Order-No.**                      **Quantity**                      **Remarks**                      **Illustr.-No.**

**QUICKLY**

		<b>3 Gears</b>					
		<b>N-S</b>	<b>L</b>	<b>Cav.</b>	<b>T</b>	<b>TT</b>	
Seal ring	041 401 140	1	1	1	1	1	1
<b>Clutch body, inner</b>	16 13 00 503	1	1	1	1	1	2
Circlip	11x1 DIN 471	1	1	1	1	1	3
Clutch plate	16 13 00 501	2	2	2	2	2	4
Clutch plate	16 13 00 006	1	1	1	1	1	5
<b>Clutch pinion and outer body</b>	16 13 00 502	1	1	1	1	1	6
Bearing	16 13 00 600	1	1	1	1	1	7 15x32x9 mm
Spring retainer, inner	16 13 00 007	1	1	1	1	1	8
Spring	16 13 00 014	1	1	1	1	1	9
Spring retainer, outer	16 13 00 008	1	1	1	1	1	10
Spring washer	A 8 DIN 137	2	2	2	2	2	11
Nut	M 8x1 DIN 934	1	1	1	1	1	12
Clutch cup	16 13 00 504	1	1	1	1	1	13
Seal ring	16 13 00 016	1	1	1	1	1	14
Circlip	16 13 00 012	1	1	1	1	1	15
Clutch lever	16 13 00 011	1	1	1	1	1	16
Spindle	16 13 00 013	1	1	1	1	1	17
Circlip	5 DIN 6799	2	2	2	2	2	18

Description	Order-No.	Quantity					Remarks	Illustr.-No.
		QUICKLY						
		3 Gears						
		N-S	L	Cav.	T	TT		
1 2 3								
<b>Starter carburettor</b> 1/12/90	16 16 02 504	1	1	1			1	
<b>Starter carburettor</b> 1/12/116	29 16 00 505				1		1a	
<b>Starter carburettor</b> 1/12/118	39 16 00 502					1	—	
Carburettor body	16 16 01 920	1	1	1			2	
Carburettor body	29 16 02 904				1		—	
Carburettor body	39 16 01 900					1	—	
Main jet	16 16 00 910	1	1	1	1	1	{ 1/12/90 = 64 1/12/116 = 52 1/12/118 = 60 } give stamped number	
Needle jet	16 16 01 909	1	1	1	1	1		4
Seal ring	16 16 00 917	1	1	1	1	1		5
Screw plug	16 16 00 908	1	1	1	1	1	6	
Throttle slide	16 16 01 905	1	1	1			7	
Throttle slide	16 16 02 905				1	1	—	
Washer	16 16 00 928				1	1	—	
Jet needle	16 16 01 904	1	1	1	1	1	8	
Circlip	16 16 00 915	1	1	1	1	1	9	
Spring	16 16 00 913	1	1	1	1	1	10	
Air slide	16 16 00 926	1	1	1	1	1	11	
Gasket	16 16 00 927	1	1	1	1	1	12	
Cap	16 16 01 916	1	1	1	1	1	13	
Tube	29 16 00 903				1		13a	
Spring	16 16 00 925	1	1	1	1	1	14	
Pin	16 16 01 924	1	1	1	1	1	L = 23 mm 15	
Screw	16 16 01 901	1	1	1		1	16	
Nut	16 16 01 918	1	1	1		1	M 6 17	
Screw	16 16 00 923	2	2	2	2	2	18	
Float	16 16 00 902	1	1	1	1	1	19	
Needle	16 16 00 903	1	1	1	1	1	20	
<b>Float chamber cover</b>	16 16 00 919	1	1	1			21	
<b>Float chamber cover</b>	29 16 00 901				1		21a	
<b>Float chamber cover</b>	39 16 00 901					1	—	
Swivelling hose adaptor	29 16 00 902				1		21b	
Seal ring	35 16 00 911				2		21c	
Nut	29 16 00 905				1		21d	
Seal ring	16 16 00 912	1	1	1	1	1	22	
Tickler	16 16 00 911	1	1	1			23	
Spring	16 16 00 906	1	1	1			24	
Split-pin	16 16 00 907	1	1	1			25	
Screw	16 16 00 914	2	2	2	2	2	26	





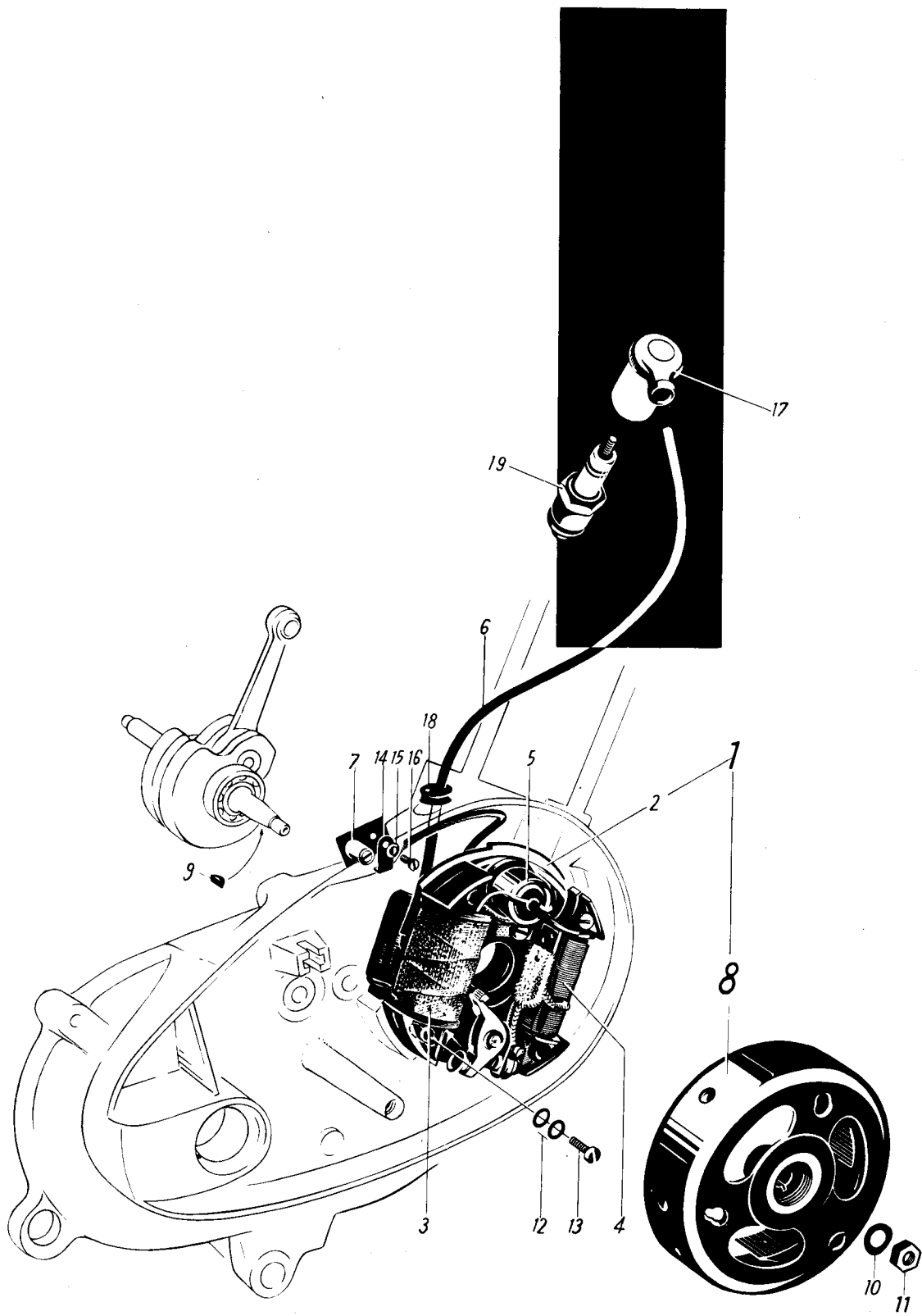
Description Order-No. Quantity Remarks Illustr.-No.

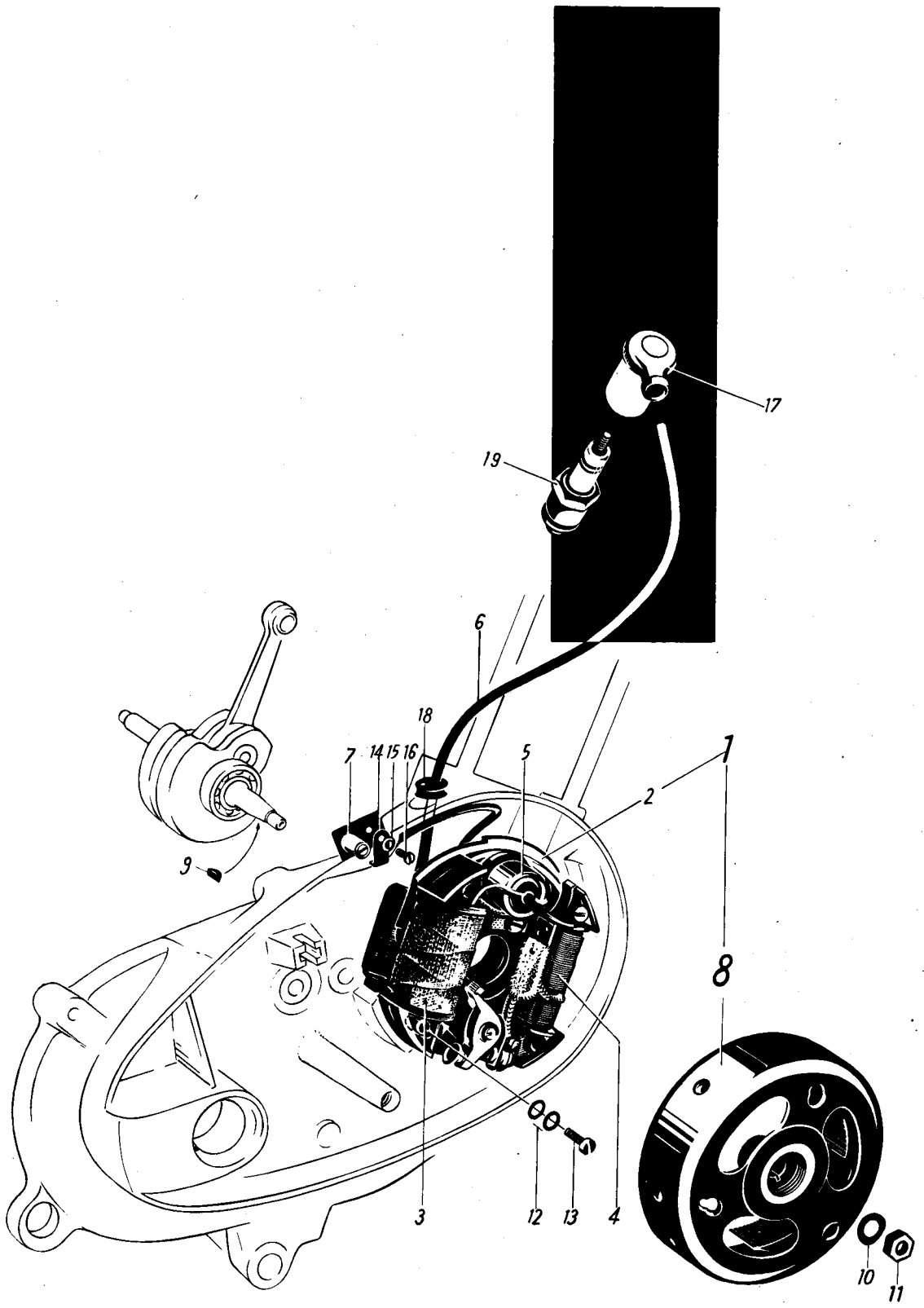
QUICKLY

Description	Order-No.	3 Gears					Remarks	Illustr.-No.
		N-S	L	Cav.	T	TT		
Gasket	16 16 00 008	1	1	1				27
Gasket	16 16 01 008				1	1		27a
Spring washer	B 5 DIN 137	4	4	4	4	4		28
Nut	M 5 DIN 934	2	2	2	2	2		29
Hose	16 16 01 006	1	1					30
Hose	16 16 00 006			1	1	1	s. page 10, Illustr.-No. 25	—
Air filter	16 16 01 009	1	1				32 mm diam	31
Air filter	16 16 00 022			1				—
Cap	16 16 00 017	1	1					32
Cap	16 16 00 023			1				—
Air filter	29 16 00 501				1	1		32a
Rubber hose	29 16 00 003				1	1		32b
Seal ring	29 16 00 002				1			32c
Seal ring	39 16 00 001					1		—
Clamp	29 16 00 004				1	1		32d
Pin	16 16 00 019	1	1				} 62 mm for legshield	34
Knob	16 16 00 018	1	1					35
Lid for leg-guard	16 93 01 519	1	1					36

Description	Order-No.	Quantity				Remarks	Illustr.-No.
		N-S	L	Cav.	T		
<b>QUICKLY</b>							
<b>3 Gears</b>							
						s. page 15	
<b>Magneto-generator</b> 17 Watt	16 17 00 503	1	1	1		Bosch LMUP 1 / 115 / 17 L 2 is not delivered for 3 Watt lighting installation order also head lamp inset and electric bulb continuously dimmed and 2 Watt-Tail lamp (s. Page 54)	1
<b>Base plate</b>	16 17 00 933	1	1	1			
Ignition coil	16 17 00 920	1	1	1			3
Spring ring	B 4 DIN 127	2	2	2		321 394 / 338 767 → → 358 398 / 377 954	—
Screw	M 4x20 DIN 84	2	2	2			
Lighting coil w/cable	16 17 00 922	1	1	1			4
Spring ring	B 4 DIN 127	2	2	2			—
Screw	M 4x22 DIN 84	2	2	2			—
Condenser	16 17 10 905	1	1	1		18 mm diam	5
Lubricating felt	16 17 00 924	1	1	1		felt with spring } as required felt with angle }	—
Lubricating felt	041 410 523	1	1	1			
Contact holder	16 17 00 925	1	1	1			—
Spring ring	B 4 DIN 127	1	1	1			—
Washer	4,3 DIN 433	1	1	1			—
Screw	M 4x12 DIN 84	1	1	1			—
Pivot for contact breaker	16 17 00 926	1	1	1			—
Contact breaker	16 17 00 927	1	1	1			—
Shim	011 098 150	as req.	as req.	as req.			—
Washer	4,3 DIN 433	1	1	1			—
Spring ring	011 098 151	1	1	1		→ 358 398 / 377 954	—
Screw	M 3x10 DIN 933	1	1	1			—
Washer	3,7 DIN 125	1	1	1			—
Insulating washer, large	041 410 090	2	2	2			—
Insulating washer, small	041 410 091	2	2	2			—
Spring ring	B 3 DIN 127	1	1	1			—
Nut	M 3 DIN 934	1	1	1			—
H. T. Lead	16 17 00 900	1	1	1		L = 290 mm; 5 mm diam	—
H. T. Lead	16 17 01 900	1	1	1		L = 290 mm; 7 mm diam	6
Terminal plate	16 17 00 928	1	1	1			7
Terminal screw	16 17 00 929	1	1	1		4 mm	—
<b>Flywheel</b>	16 17 00 931	1	1	1		Inner diam 90,5 mm 321 394 / 338 767 → → 358 398 / 377 954	8

Fixing parts s. page 31



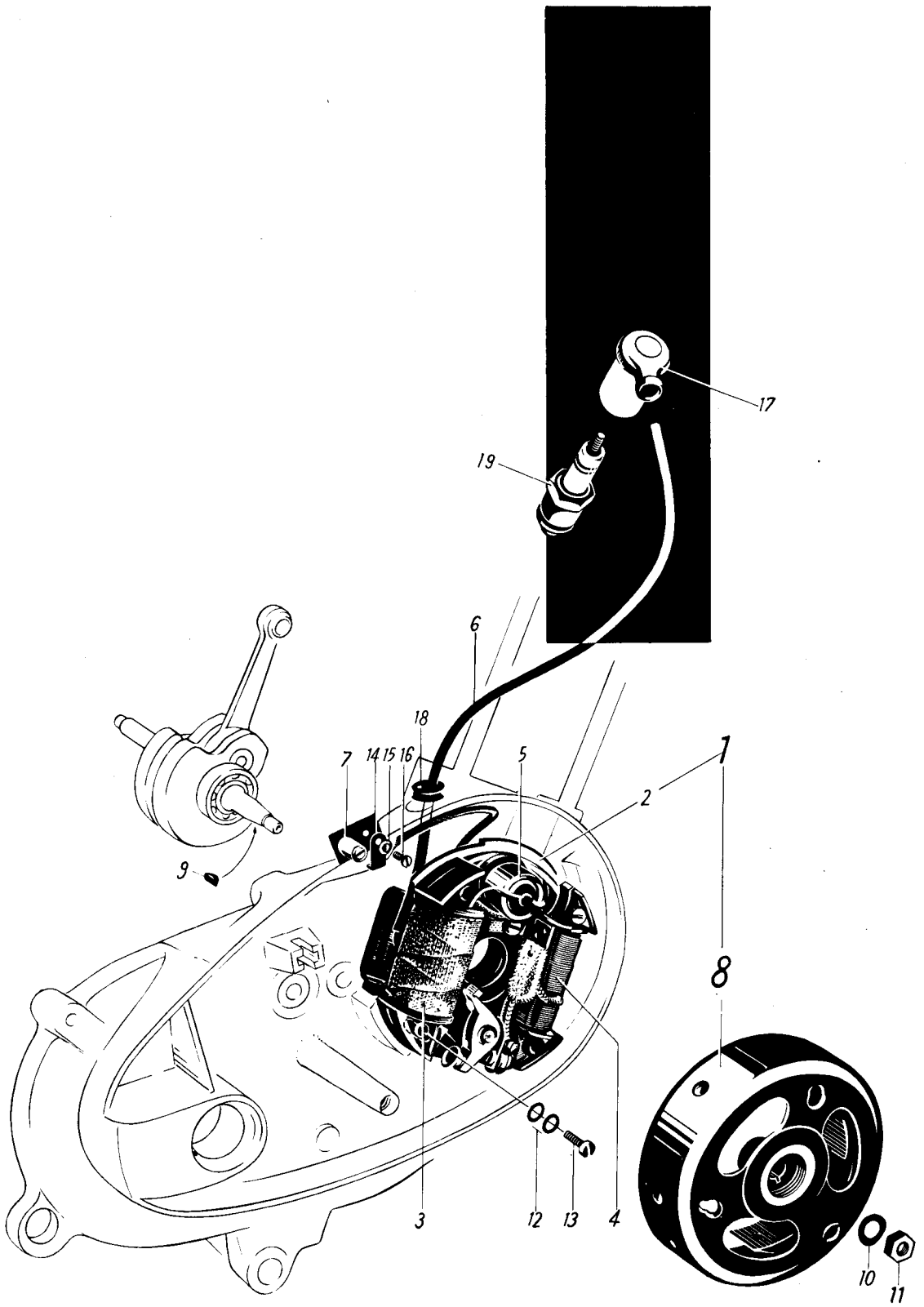


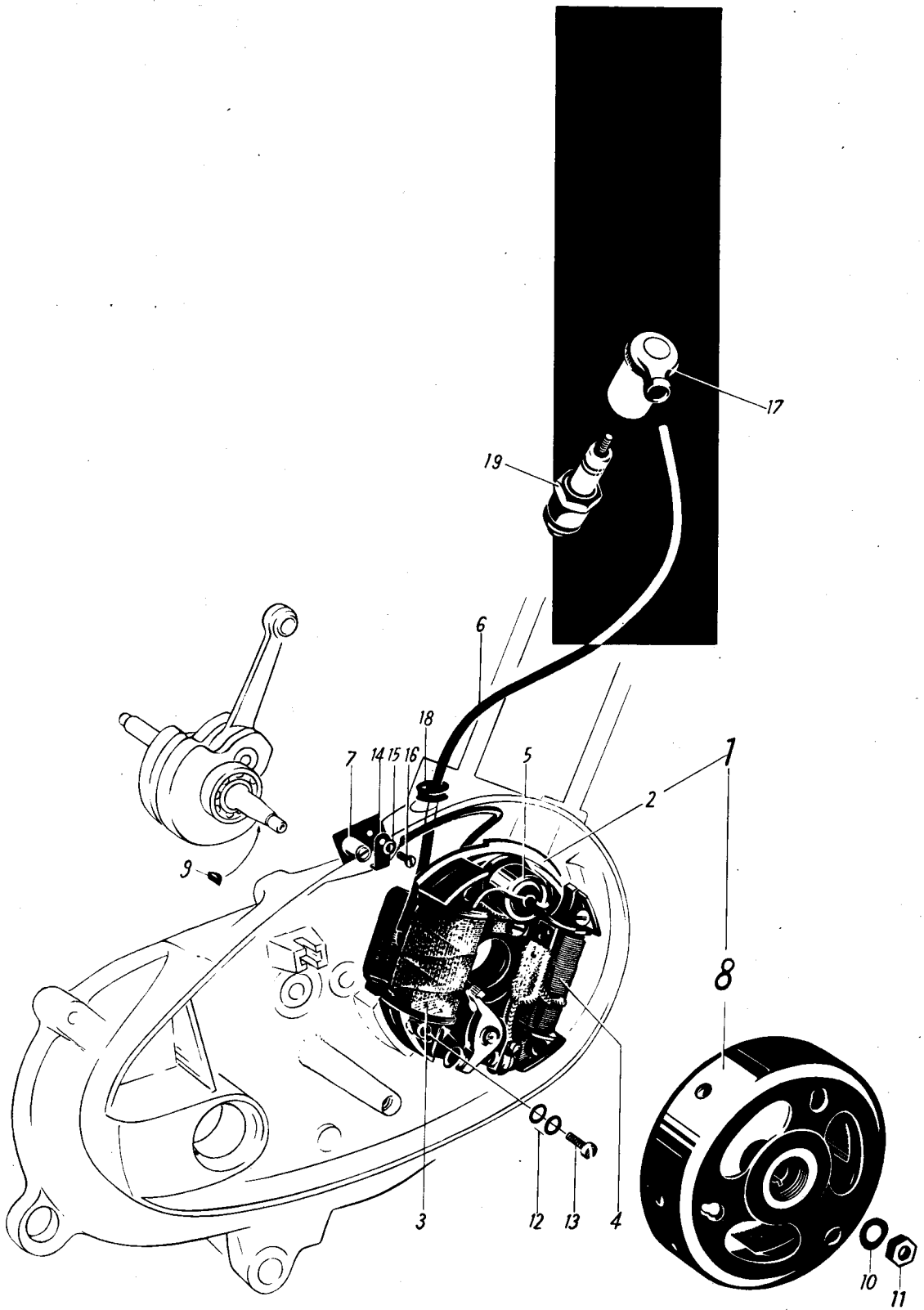


Description	Order-No.	QUICKLY				Remarks	Illustr.-No.
		3 Gears					
		N-S	L	Cav.	T		
	1 2						
<b>Magneto-generator</b> 17 Watt	16 17 01 503	1	1	1	s. page 15	Bosch LM/UPA 1 / 115 / 17 L 4a for 3 Watt lighting in- stallation order also head lamp inset and electric bulb continuously dimmed and 2 Watt- Tail lamp (s. Page 54)	1
<b>Base plate</b>	16 17 01 933	1	1	1			2
Ignition coil	16 17 01 920	1	1	1		3	
Lighting coil	16 17 01 922	1	1	1		4	
Spring ring	B 4 DIN 127	4	4	4		—	
Screw	M 4x22 DIN 84	2	2	2		—	
Screw	M 4x25 DIN 84	2	2	2		—	
Condenser	16 17 10 905	1	1	1		18 mm diam	5
Lubricating felt	16 17 00 924	1	1	1		felt with spring } as felt with angle } required	—
Lubricating felt	041 410 523	1	1	1			—
Contact holder	16 17 00 925	1	1	1		—	
Spring ring	B 4 DIN 127	1	1	1		—	
Washer	4,3 DIN 433	1	1	1		—	
Screw	M 4x12 DIN 84	1	1	1		—	
Pivot for contact breaker lever	16 17 00 926	1	1	1		358 399 / 377 955 →	—
Contact breaker lever	16 17 00 927	1	1	1		—	
Shim	011 098 150	as req.	as req.	as req.		—	
Washer	4,3 DIN 433	1	1	1		—	
Spring ring	011 098 151	1	1	1		—	
Bolt	M 3x10 DIN 933	1	1	1		—	
Washer	3,7 DIN 125	1	1	1		—	
Insulating washer, large	041 410 090	2	2	2		—	
Insulating washer, small	041 410 091	1	1	1		—	
Spring ring	B 3 DIN 127	1	1	1		—	
Nut	M 3 DIN 934	1	1	1		—	
H. T. Lead	16 17 01 900	1	1	1		L = 290 mm; 7 mm diam	6
Insulating clamp	16 17 00 936	1	1	1		—	
Terminal plate	16 17 00 928	1	1	1		—	7
Terminal screw	16 17 00 929	1	1	1		4mm	—
<b>Flywheel</b>	16 17 01 931	1	1	1		Inner diam 85,5 mm	8

Fixing parts s. page 31

Description	Order-No.	QUICKLY					Remarks	Illustr.-No.	
		3 Gears							
		N-S	L	Cov.	T	TT			
	1 2 3								
<b>Magneto-generator</b> 17 Watt	16 17 01 504	1	1	1			s. page 15	{ NORIS ELZJ 17/4 L not supplied 321 394 / 338 767 → → 542 388 / 588 147	—
<b>Magneto-generator</b> 17 Watt	16 17 02 504	1	1	1		1		{ NORIS ELZJE 17/2 L 542 389 / 588 148 →	1
Base plate	16 17 11 932	1	1	1		1		2	
Ignition coil	16 17 11 903	1	1	1		1	155 054 / 165 434 →	3	
Lock washer	A 4,3 DIN 6798	2	2	2		2		—	
Screw	AM 4x19 DIN 84	2	2	2		2		—	
Lighting coil	16 17 10 916	1	1	1			→ 321 393 / 338 766	—	
Lighting coil	16 17 10 904	1	1	1			{ 321 394 / 338 767 → → 542 388 / 588 147	4	
Lighting coil	16 17 12 904	1	1	1		1	542 389 / 588 148 →	—	
Lock washer	A 4,3 DIN 6798	2	2	2		2		—	
Screw	AM 4x16 DIN 84	2	2	2			→ 321 393 / 338 766	—	
Screw	AM 4x25 DIN 84	2	2	2		2	} pay attention to length 321 394 / 338 767 →	—	
Screw	AM 4x21 DIN 84	2	2	2		2			—
Condenser	11 17 10 916	1	1	1			{ 17 mm diam → 155 053 / 165 433	—	
Condenser	16 17 10 905	1	1	1		1	{ 18 mm diam 155 054 / 165 434 →	5	
Insulating plate	16 17 10 906	1	1	1		1		—	
Lubricating felt	16 17 00 924	1	1	1		1	felt with spring } felt with angle } as required	—	
Lubricating felt	041 410 523	1	1	1		1			—
Spring ring	B 4 DIN 127	1	1	1		1		—	
Screw	AM 4x8 DIN 84	1	1	1		1		—	
Contact holder	16 17 10 908	1	1	1		1		—	
Eccentric pin	16 17 10 907	1	1	1		1		—	
Spring ring	B 4 DIN 127	1	1	1		1		—	
Washer	11 17 10 994	1	1	1		1		—	
Screw	AM 4x10 DIN 84	1	1	1		1		—	
Pivot for contact breaker lever	16 17 10 909	1	1	1		1		—	



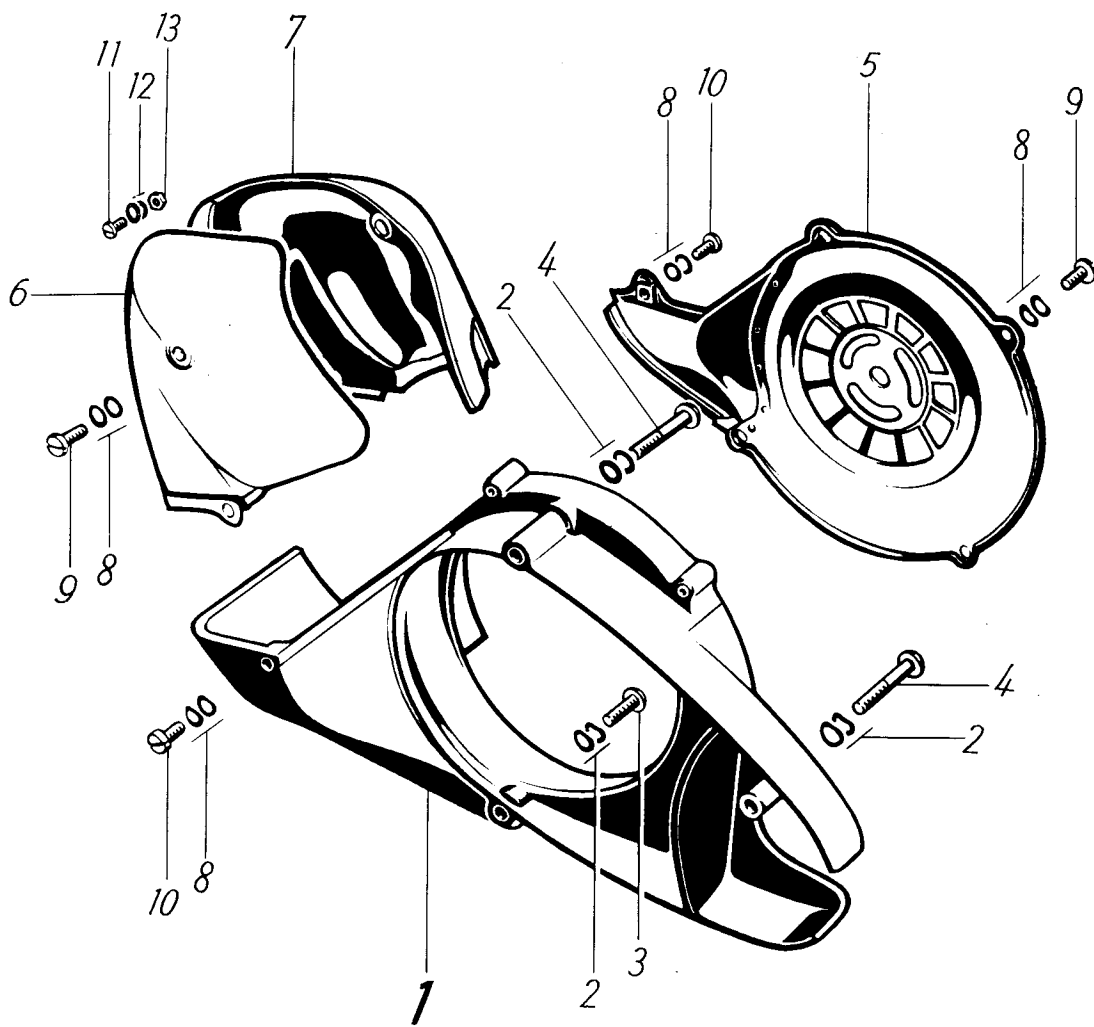


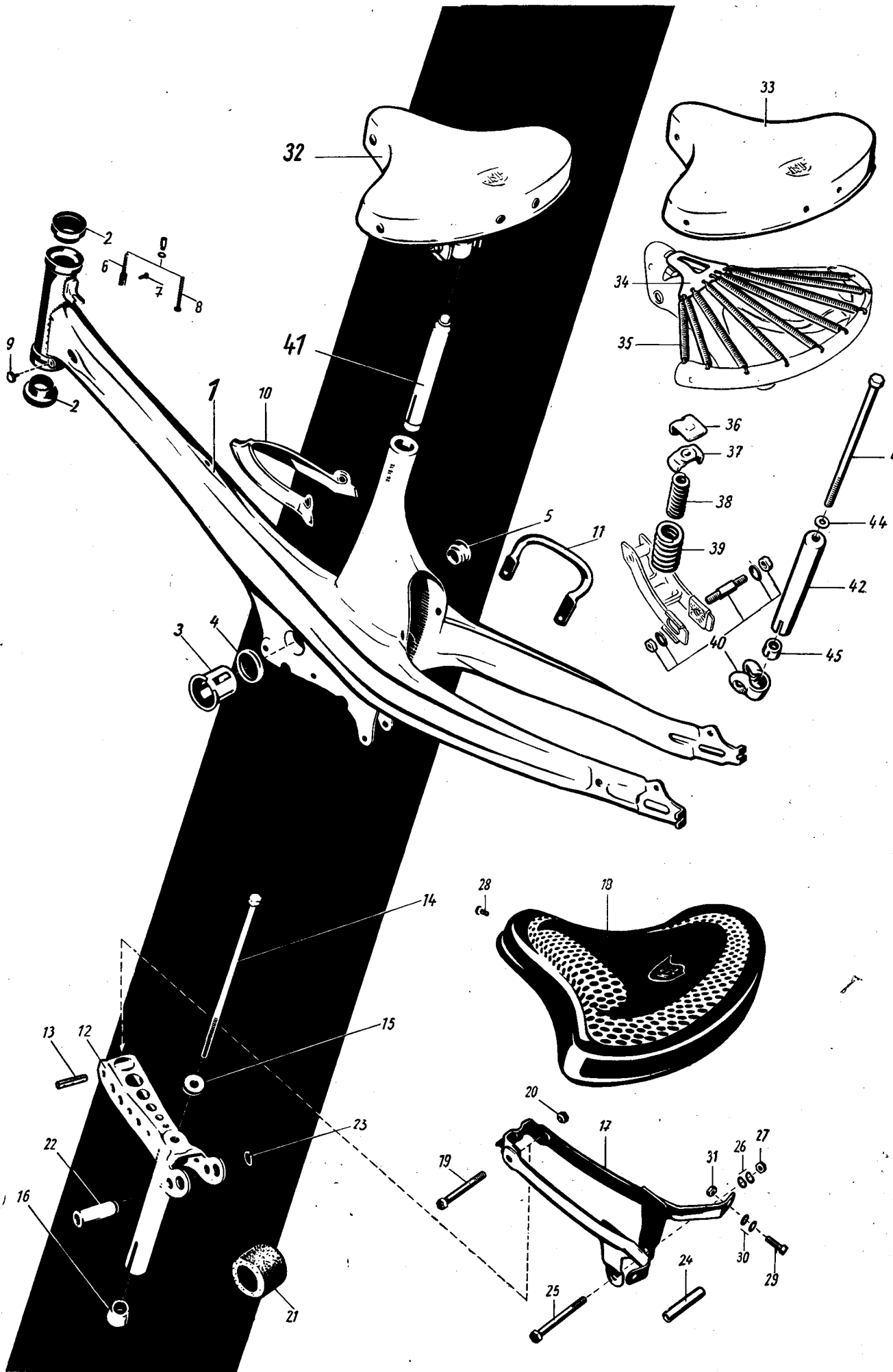
Description	Order-No.	Quantity					Remarks	Illustr.-No.
		N-S	L	Cav.	T	TT		
<b>QUICKLY</b>								
<b>3 Gears</b>								
	1 2 3	N-S	L	Cav.	T	TT		
Contact breaker lever	16 17 00 927	1	1	1		1	—	
Circlip	11 17 10 993	1	1	1		1	—	
Bolt	M 3x9 DIN 933	1	1	1		1	—	
Washer	11 17 10 912	1	1	1		1	—	
Insulating washer, large	11 17 10 996	2	2	2		2	12 mm diam	
Insulating washer, small	11 17 10 923	1	1	1		1	6 mm diam	
Washer	11 17 10 997	1	1	1		1	—	
Spring ring	B 3 DIN 127	1	1	1		1	—	
Nut	M 3 DIN 934	1	1	1		1	—	
Contact-breaker-to condenser lead	16 17 10 910	1	1	1		1	—	
H. T. Lead	16 17 00 900	1	1	1			L = 290 mm, 5 diam → 155 053 / 165 433	
H. T. Lead	16 17 01 900	1	1	1		1	L = 290 mm, 7 diam 155 054 / 165 434 →	
Terminal plate	16 17 10 911	1	1	1		1	—	
H. T. Lead	16 17 10 901	1	1	1		1	L = 175 mm	
Terminal screw	16 17 10 912	1	1	1		1	—	
<b>Flywheel</b>	16 17 10 913	1	1	1			321 394 / 338 767 → → 542 388 / 588 147	
<b>Flywheel</b>	16 17 12 913	1	1	1		1	542 389 / 588 148 →	
Rubber sleeve	11 81 00 864					1	—	
<b>Fixing parts for generators</b>								
Woodruff key	2x3,7 DIN 6888	1	1	1		1	9	
Spring washer	A 8 DIN 137	1	1	1		1	for Flywheel	
Nut	M 8x1 DIN 934	1	1	1		1	11	
Spring washer	B 4 DIN 137	4	4	4		4	for Base plate	
Screw	AM 4x15 DIN 84	2	2	2		2	12	
Clip	16 17 00 004	1	1	1		1	13	
Spring washer	A 4 DIN 137	1	1	1		1	for Terminal plate	
Screw	AM 4x10 DIN 84	1	1	1		1	14	
Terminal cap	011 109 070	1	1	1			→ 753 142 / 822 514	
Terminal cap	16 17 00 507	1	1	1		1	753 143 / 822 515 → also for vehicles prior to above no, optional s. page 16, Illustr.-No. 23	
Rubber sleeve	16 17 00 002	1	1	1			5 mm hole diam → 155 053 / 165 433	
Rubber sleeve	35 17 00 002	1	1	1		1	7 mm hole diam 155 054 / 165 434 →	
Spark plug	11 17 00 068	1	1	1		1	W 190 M 11 S	

Description Order-No. Quantity Remarks Illustr.-No

QUICKLY

		3 Gears				
		N-S	L	Cav.	T	
<b>Spirally wound casing</b>	29 19 00 008				1	1
Spring washer	A 6 DIN 137				6	2
Screw	AM 6x18 DIN 85				1	3
Screw	BM 6x38 DIN 85				2	4
<b>Fan cowling</b>	29 19 00 502				1	5
Air ducting, left	29 19 00 001				1	6
Air ducting, right	29 19 00 002				1	7
Spring washer	A 5 DIN 137				16	8
Screw	AM 5x15 DIN 85				6	9
Screw	AM 5x10 DIN 85				2	10
Screw	AM 4x6 DIN 85				2	11
Spring washer	A 4 DIN 137				4	12
Nut	M 4 DIN 934				2	13

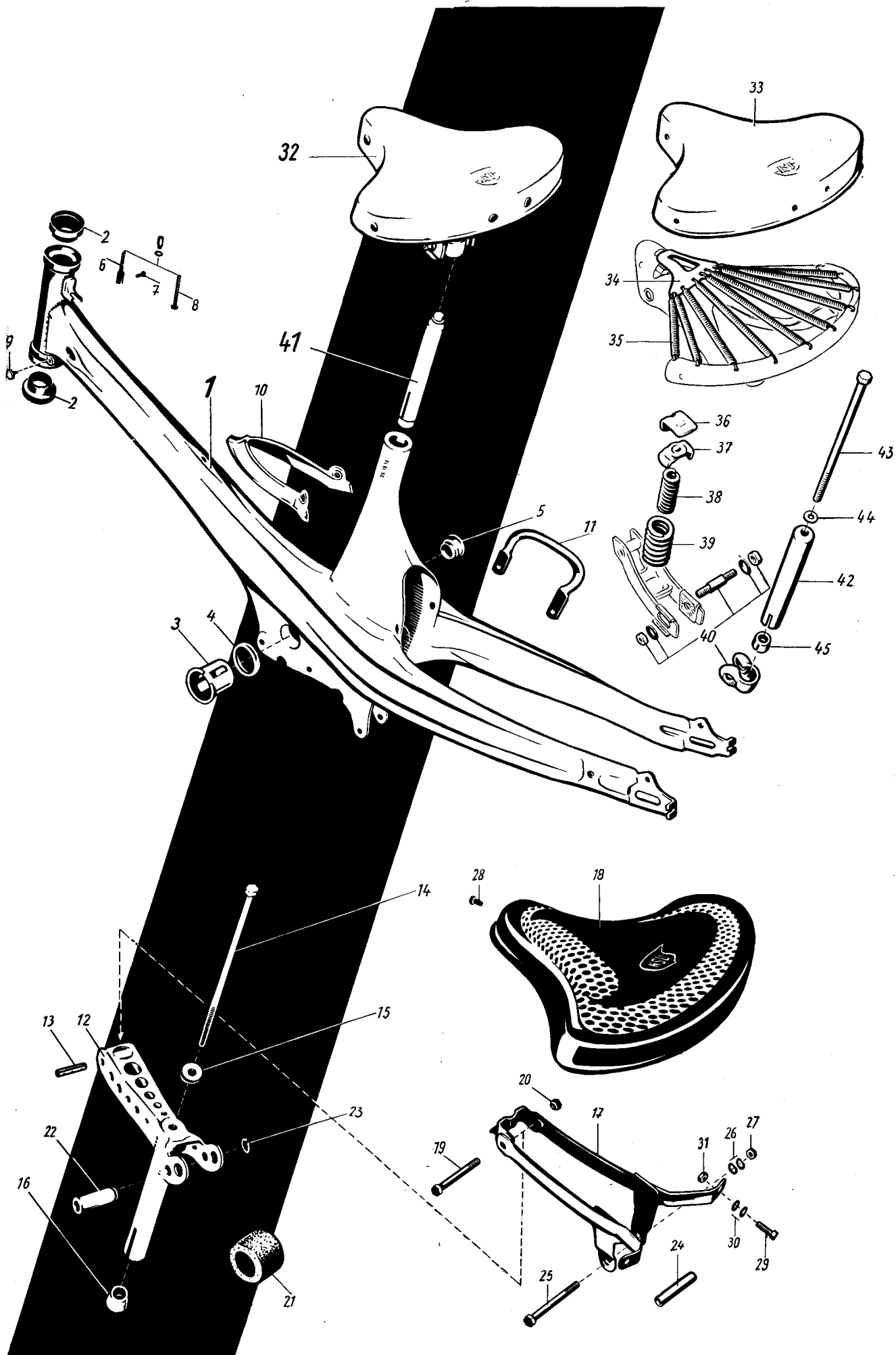


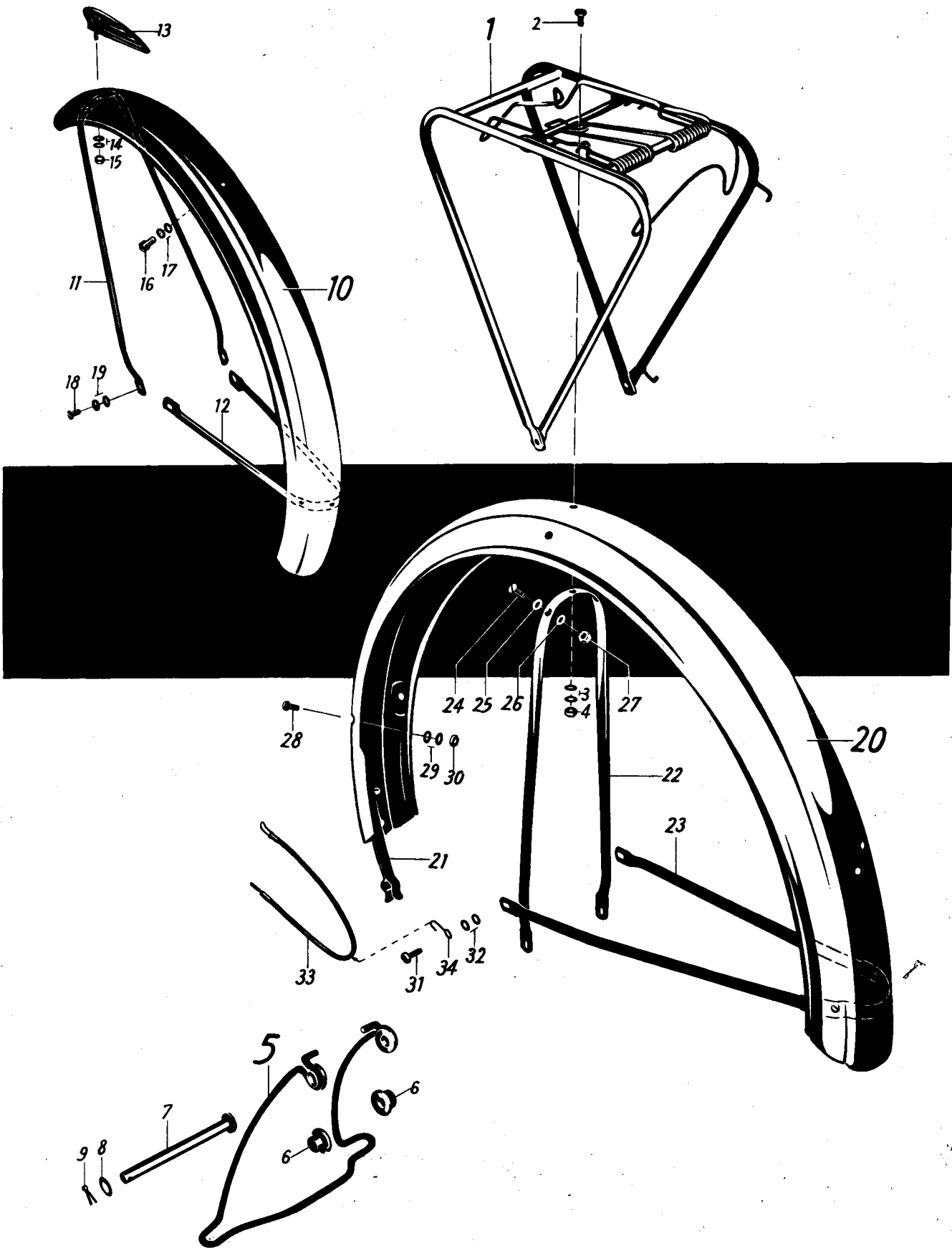




Description	Order-No.	Quantity	Remarks	Illustr.-No.
			<b>QUICKLY N-S</b>	
	1 2			
Frame	16 31 02 501	1	→ 482 754 / 522 989	1
Frame	16 31 00 901	1	482 755 / 522 990 →	—
Steering head race	023 103 927	each 1		2
Nameplate	16 31 00 900	1	{ not supplied without stamped number	—
Grooved stud	2x3 DIN 1476	2		—
Filter body	16 31 00 019	1		3
Seal ring	16 31 00 070	1	→ 651 958 / 701 432	4
Socket	16 31 00 020	1		5
Forked pin	16 31 00 023	1	{ → 360 029 / 380 172	6
Rivet	16 31 00 030	1	{ 5x13 DIN 74268	7
Bolt	—	—	{ 360 030 / 380 173 → s. page 53, Illustr.-No. 17	8
Rubber plug	16 31 00 038	2	211 751 / 226 947 →	9
Cover	16 31 00 510	1		10
Handle	16 93 02 007	1		11
Bolts for handle	—	—	s. page 1, Illustr.-No. 2	—
Rubber sleeve for cable	—	—	s. page 43, Illustr.-No. 16, 18, 20	—
Saddle	16 38 00 501	1	{ not supplied, order saddle 16 38 01 501 and seat tube compl. 16 38 00 901.	—
Saddle support	16 38 00 900	1		12
Bush	16 38 00 016	1		13
Clamp bolt	534 080 054	1		14
Washer	534 080 396	1		15
Nut	534 080 055	1	→ 97 844 / 104 888	16
Saddle frame	16 38 01 504	1		17
Cover	16 38 00 502	1	{ remove nose in vehicles from 56 078 / 59 694 to 97 844 / 104 888	18
Bolt	16 38 00 003	1		19
Nut	16 38 00 004	1		20

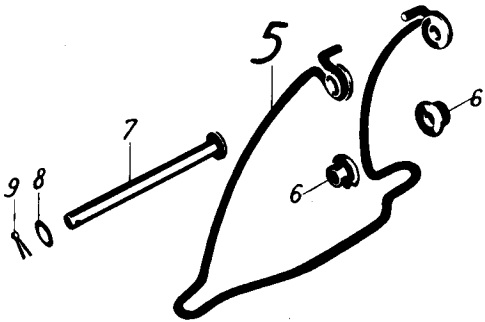
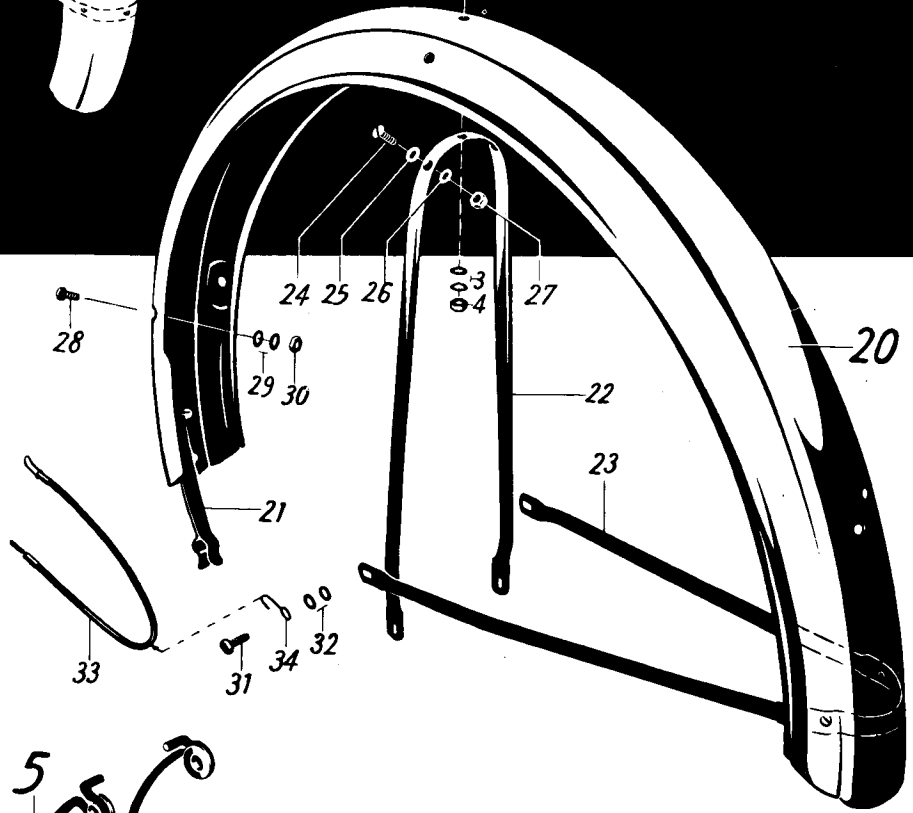
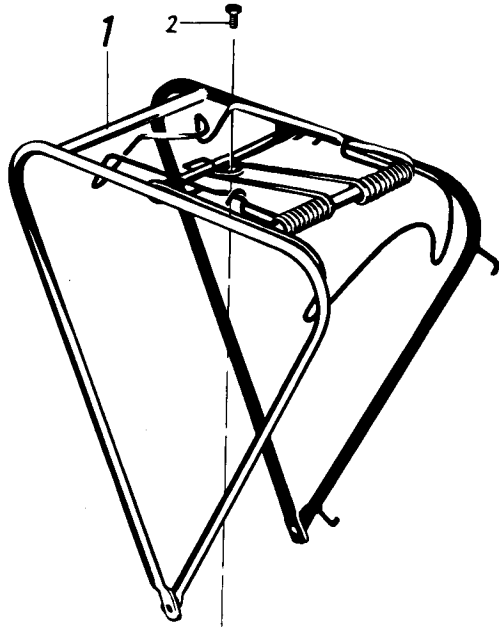
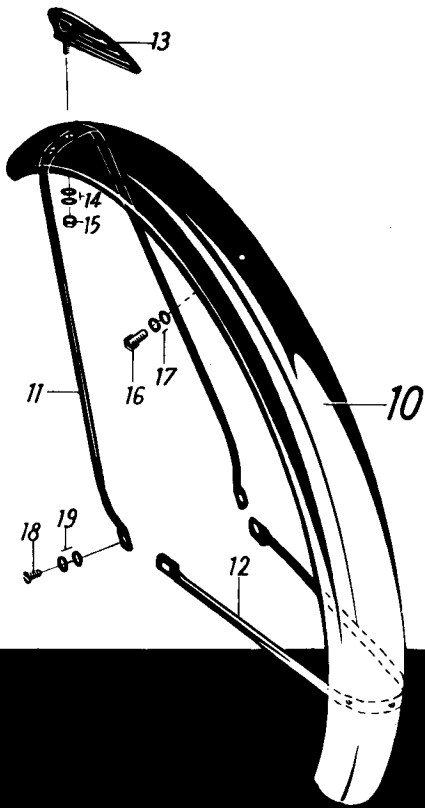
Description	Order-No.	Quantity	Remarks	Illustr.-No.
<b>QUICKLY</b>				
<b>N-S</b>				
Rubber ring	16 38 00 001	1		21
Sleeve	16 38 00 002	1		22
Circlip	14x1 DIN 471	1		23
Spacer	16 38 00 017	1		24
Bolt	M 7x62 DIN 931	1	→ 97 844 / 104 888	25
Spring washer	A 7 DIN 137	2		26
Nut	M 7 DIN 934	1		27
Screw	M 7x15 DIN 933	1		28
Screw	M 7x18 DIN 933	2		29
Spring washer	A 7 DIN 137	4		30
Nut	M 7 DIN 934	2		31
<b>Saddle</b>	16 38 01 501	1	not supplied saddle 16 38 02 501 should be ordered with this part	32
Saddle top	16 38 00 913	1		—
Bracket	16 38 00 914	1		—
Cover	16 38 00 905	1		33
Spring holder plate	16 38 00 912	1		34
Set of Spring	16 38 00 908	1		35
Saddle rivet (large headed)	16 38 00 909	2		—
Saddle rivet (small headed)	16 38 00 910	4		—
Guide	16 38 00 906	1		36
Support	16 38 00 915	1	97 845 / 104 889 →	—
Pivot	16 38 00 916	1		—
Adjuster w/washers	16 38 00 907	1		—
Spring seat	16 38 00 911	1		37
Saddle spring, inner	16 38 00 903	1		38
Saddle spring, outer	16 38 00 902	1		39
Clip compl.	16 38 00 904	1		40
<b>Seat tube compl.</b>	16 38 00 901	1		41
Seat tube	16 38 01 019	1	not supplied	42
Clamp bolt	534 080 054	1		43
Washer	8,4 DIN 125	1		44
Nut	534 080 055	1		45

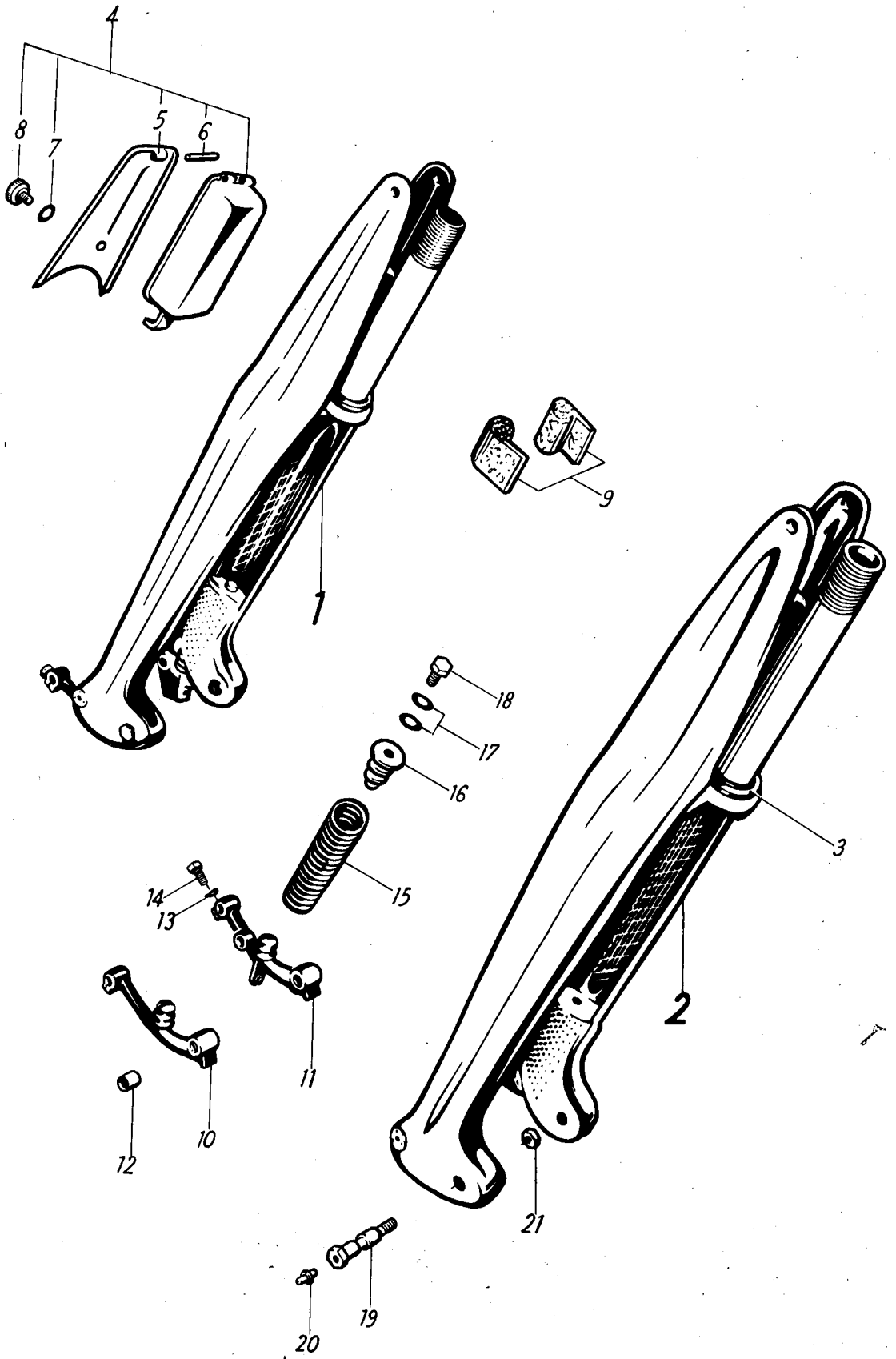




Description	Order-No.	Quantity	Remarks	Illustr.-No.
<b>QUICKLY</b>				
<b>N-S</b>				
	1 2 3 4			
<b>Luggage carrier</b>	16 93 00 501	1	→ 208 884 / 225 051	—
<b>Luggage carrier</b>	16 93 01 501	1	208 885 / 225 052 →	1
Yoke	16 93 00 016	1		—
Yoke	16 93 00 907	1		—
Bolt	M 6x12 DIN 933	1		2
Spring washer	B 6 DIN 137	2		3
Nut	M 6 DIN 934	1		4
Lock w/key	16 93 00 004	1	→ 208 884 / 225 051	—
<b>Stand</b>	16 35 00 503	1		5
Bush	16 35 00 013	2		6
Tube	16 35 01 504	1		7
Washer	16 35 00 010	2	} → 58 200 / 61 835	—
Split pin	3x18 DIN 94	2		—
Washer	16 35 00 010	2	} 58 201 / 61 836 →	8
Split pin	3x18 DIN 94	1		9
<b>Front mudguard</b>	16 33 00 504	1	for Quickly-N	10
<b>Front mudguard</b>	16 33 02 504	1	for Quickly-S	—
<b>Front mudguard</b>	16 33 01 505	1	} for Quickly-N for Eire	—
<b>Front mudguard</b>	16 33 02 505	1		for Quickly-S
Stay, front	16 33 00 502	1	} for fixing of the struts on the mudguard	11
Stay, front	16 33 00 503	1		12
Bolt	M 4x8 DIN 85	4		—
Washer	4,3 DIN 125	4		—
Spring ring	B 4 DIN 127	4	—	
Nut	M 4 DIN 934	4	—	
NSU emblem	533 085 385	1		13
Spring washer	A 4 DIN 137	2		14
Nut	M 4 DIN 934	1		15
Bolt	M 6x15 DIN 933	1	→ 109 741 / 117 525	—
Bolt	M 6x12 DIN 933	1	109 742 / 117 526 →	16
Spring washer	A 6 DIN 137	2		17
Nut	M 6 DIN 934	1	→ 109 741 / 117 525	—
Bolt	M 6x8 DIN 933	2		18
Spring washer	A 6 DIN 137	4		19
<b>Numberplate, front</b>	16 33 00 010	1		—
Bolt	M 5x10 DIN 85	1		—
Spring washer	A 5 DIN 137	2		—
Nut	M 5 DIN 934	1		—
<b>Rear mudguard</b>	16 34 00 509	1	} Quickly N with 2 holes on mudguard end Quickly-S	—
<b>Rear mudguard</b>	16 34 01 509	1		—
<b>Rear mudguard</b>	16 34 00 510	1	} Quickly N for Eire } with 4 holes on Quickly S } mudguard end	—
<b>Rear mudguard</b>	16 34 01 510	1		—
Spring	16 34 00 508	1		21
Rivet	3,5x8 DIN 660	1	} for repair	—
Medal	16 34 00 021	1		—
Distanc rubber	16 41 00 087	2		—
Stay, top	16 34 00 503	1		22
Stay, bottom	16 34 00 504	1		23

Description	Order-No.	Quantity	Remarks	Illustr.-No.
<b>QUICKLY</b>				
<b>N - S</b>				
Bolt	M 4x8 DIN 85	2		24
Washer	4,3 DIN 125	2		25
Spring ring	B 4 DIN 127	2		26
Nut	M 4 DIN 934	2		27
Bolt	M 6x16 DIN 933	2		28
Spring washer	B 6 DIN 137	4		29
Nut	M 6 DIN 934	2		30
Bolt	M 6x22 DIN 931	2		31
Spring washer	B 6 DIN 137	4		32
Dress guard cord	16 34 00 505	4	} for Quickly-N	33
Hook	16 34 00 011	2		34
<b>Numberplate, rear</b>	16 34 00 019	1		—
Bracket	16 34 00 020	1		—
Bolt	M 5x12 DIN 85	1		—
Bolt	M 5x10 DIN 85	2		—
Spring washer	A 5 DIN 137	6		—
Nut	M 5 DIN 934	3		—



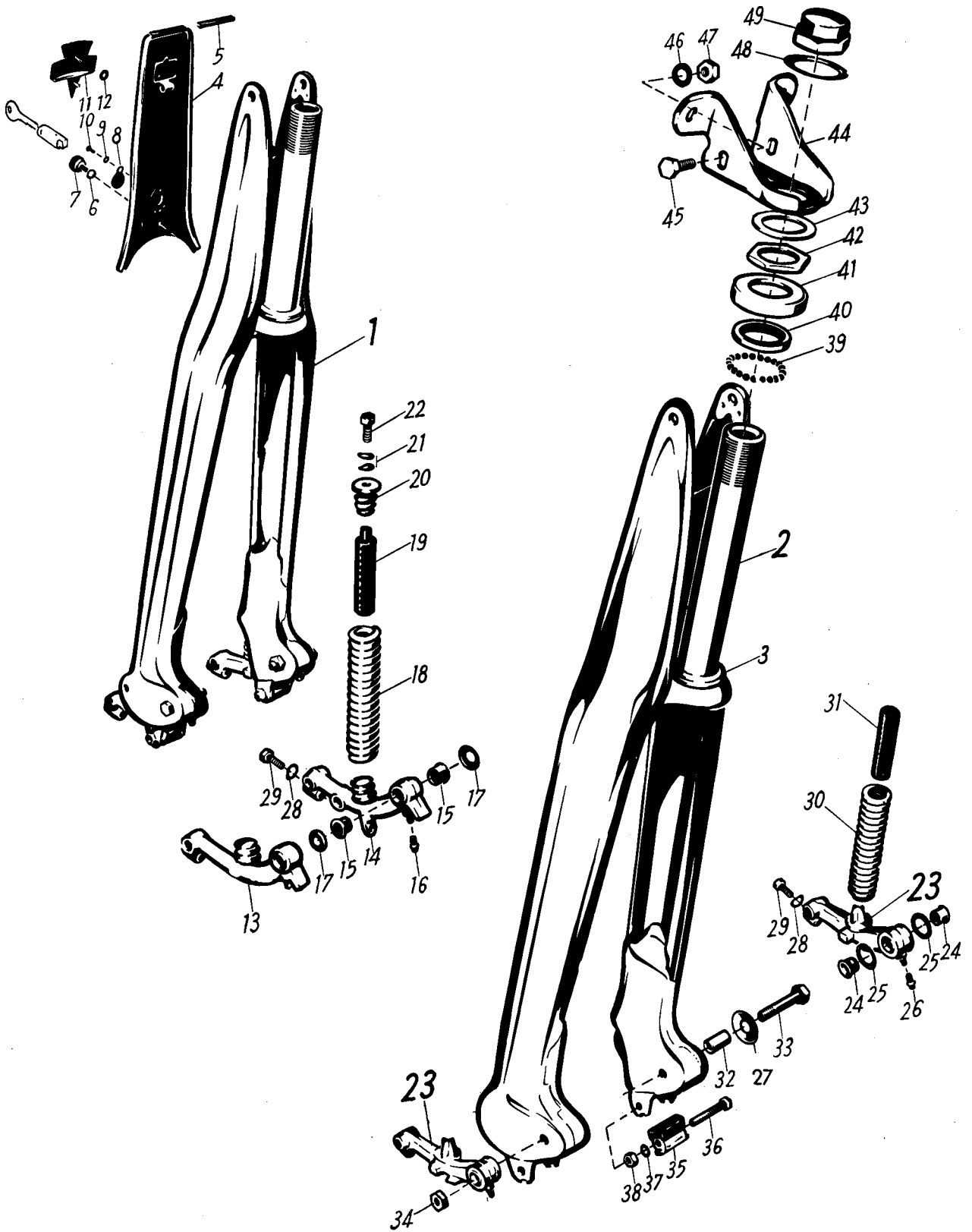


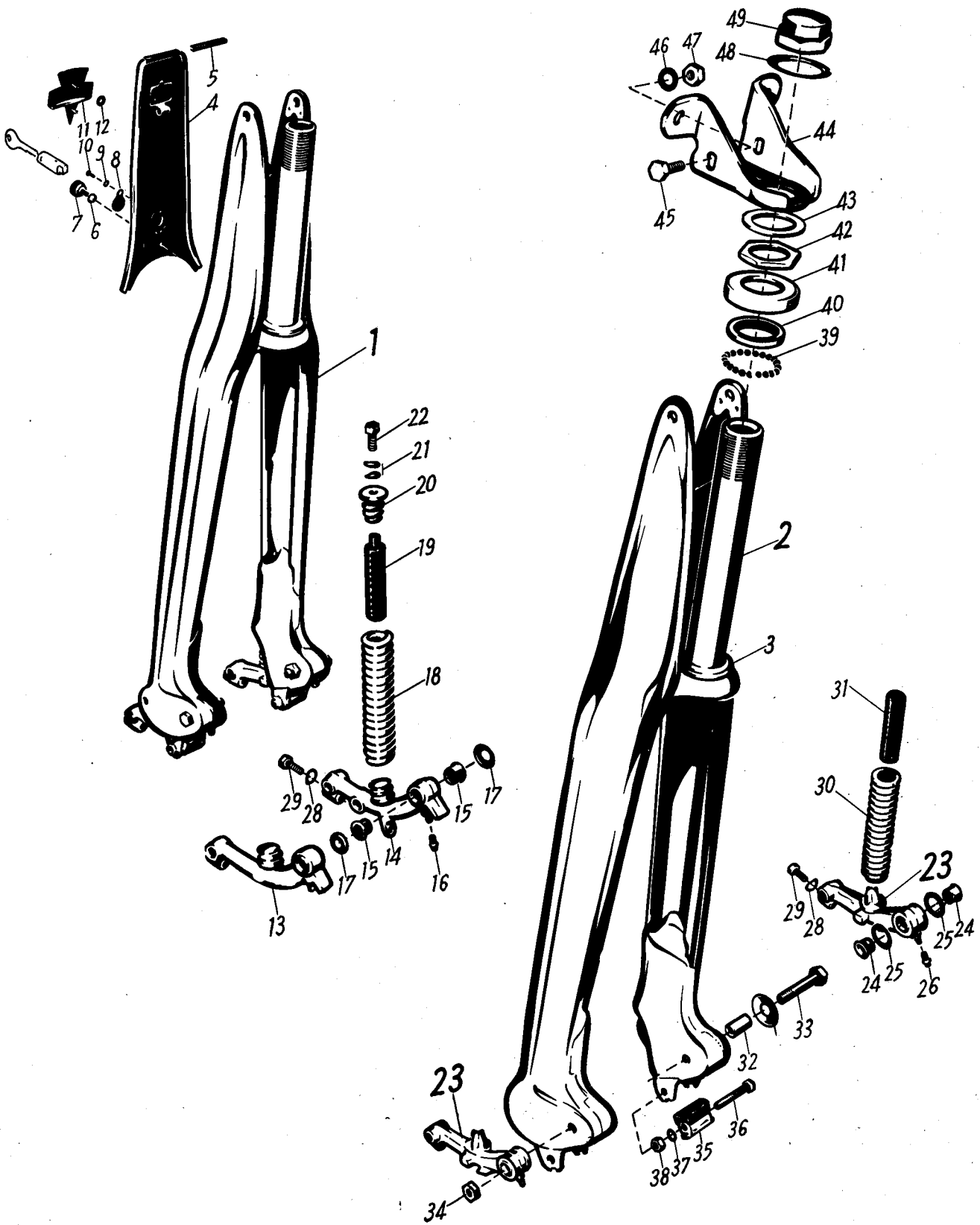


Description	Order-No.	Quantity	Remarks	Illustr.-No.
<b>QUICKLY</b>				
<b>N - S</b>				
	1 2 3			
<b>Spring fork, compl.</b>	16 41 00 900	1	→ 109 741 / 117 525; not supplied, order 16 41 02 900 and cover 16 73 02 900	1
Spring fork with bottom cone	16 41 00 901	1		2
Bush	16 41 00 401	2	8x11x4,5 mm for conversion see note under 16 41 00 509/508	—
Cone, bottom	044 412 131	1		3
<b>Tool box</b>	16 73 00 501	1		4
Cover	16 73 00 900	1		5
Tommy bar	2,5 h 11x32 DIN 7	1	→ 109 741 / 117 525	6
Spring ring	A 5 DIN 127	1		7
Knurled screw	16 73 00 004	1		8
Rubber strip	043 411 209	2		9
Swinging link, left	16 41 00 509	1	→ 109 741 / 117 525 not supplied, for that order Swinging link 16 41 01 509 or 16 41 01 508 and Bush 16 41 00 055, Bolt 16 41 00 054, Cap 16 41 00 053 and 2 Bushes 16 41 00 401	10
Swinging link, right	16 41 00 508	1		11
Bush	16 41 00 041	each 2	11x13x19,7 mm	12
Spring washer	A 8 DIN 137	2		13
Screw	16 41 00 045	2		14
Spring	16 41 00 010	2		15
Spring (reinforced)	16 41 01 010	2	optional	—
Rubber plug	16 41 00 088	2	→ 109 741 / 117 523	—
Retainer	16 41 00 012	2		16
Spring washer	A 7 DIN 137	4		17
Screw	M 7x15 DIN 933	2		18
Pin for swinging link	16 41 00 902	2	11 mm ∅	19
Grease nipple	D 6 DIN 3402	2		20
Nut	16 41 00 050	2		21

Mounting parts see sheet 39

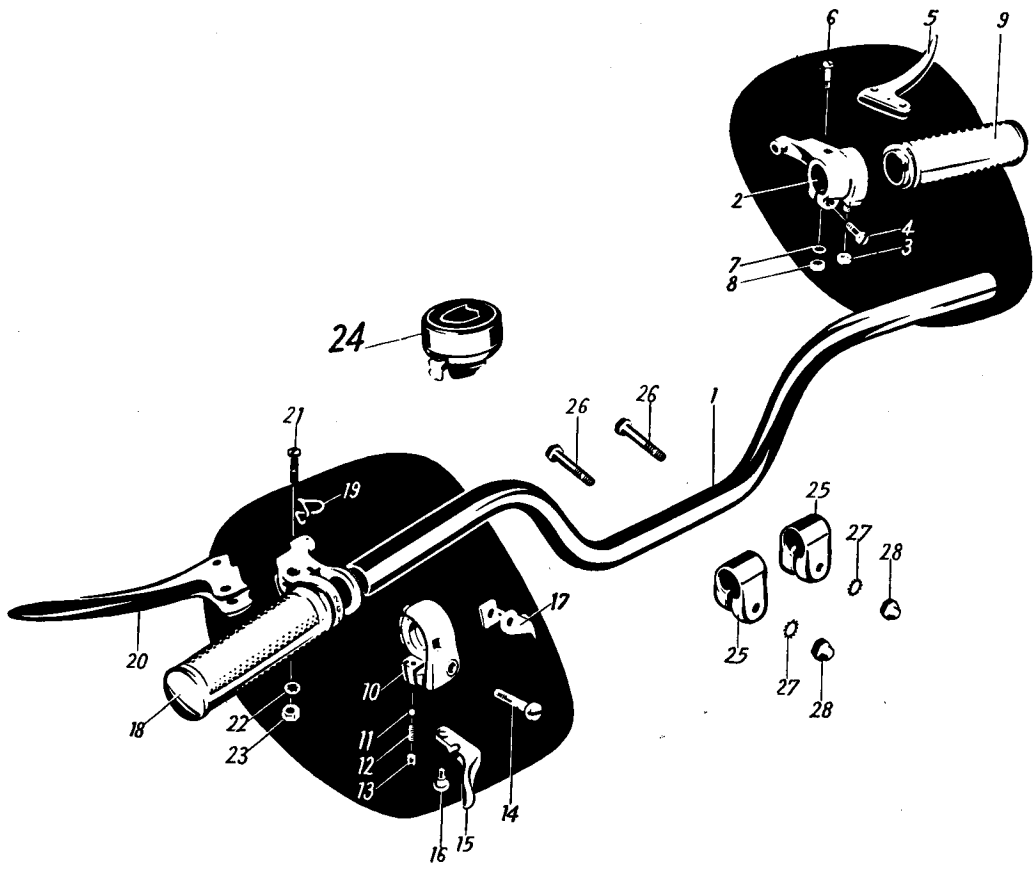
Description	Order-No.	Quantity	Remarks	Illustr.-No.
			<b>QUICKLY N-S</b>	
	1 2 3 4			
Spring fork less cover	16 41 02 900	1	109 742 / 117 526 → → 482 754 / 522 989; in earlier vehicles than 109 742 / 117 526 cover for tool box 16 73 02 900 should be ordered with this part.	—
Spring fork less cover	16 41 02 901	1		—
Spring fork less cover	16 41 03 900	1	482 755 / 522 990 →	1
Spring fork less cover	16 41 03 901	1		2
Cone, bottom	044 412 131	1		3
Cover for toolbox	16 73 00 901	1	{ 109 742 / 117 526 → → 281 717 / 299 049	—
Cover for toolbox	16 73 01 901	1	281 718 / 299 050 →	4
Rubber strip	16 73 00 007	1		5
Spring washer	A 5 DIN 137	1		6
Knurled screw	16 73 00 004	1		7
Escutcheon	16 41 00 064	1	208 685 / 225 052 →	8
Spring washer	A 3 DIN 137	1		9
Rivet	3x6 DIN 660	1	281 718 / 299 050 →	10
Nameplate	16 41 00 083	1		11
Rubber, spacer	16 41 00 087	1	208 685 / 225 052 →	12
Safety lock with key	16 41 00 513	1		—
Swinging link, left	16 41 01 509	1		13
Swinging link, right	16 41 01 508	1		14
Bush	16 41 00 056	each 2		15
Crease nipple	D 6 DIN 3402	each 1		16
Cap	16 41 00 053	4	109 742 / 117 526 → → 482 754 / 522 989	17
Spring	16 41 00 010	2		18
Spring (reinforced)	16 41 01 010	2	{ optional	—
Rubber plug	16 41 00 088	2		19
Retainer, top	16 41 00 012	2		20
Spring washer	A 7 DIN 137	4		21
Screw	M 7x15 DIN 933	2		22
Swinging link	16 41 02 508	each 1		23
Bush	16 41 01 056	each 2	482 755 / 522 990 →	24
Cab, inner	16 41 00 081	each 2		25
Grease nipple	D 6 DIN 3402	each 1		26
Cab, outer	16 41 00 080	each 2		27
Spring washer	A 8 DIN 137	2		28
Bolt	16 41 00 045	2		29

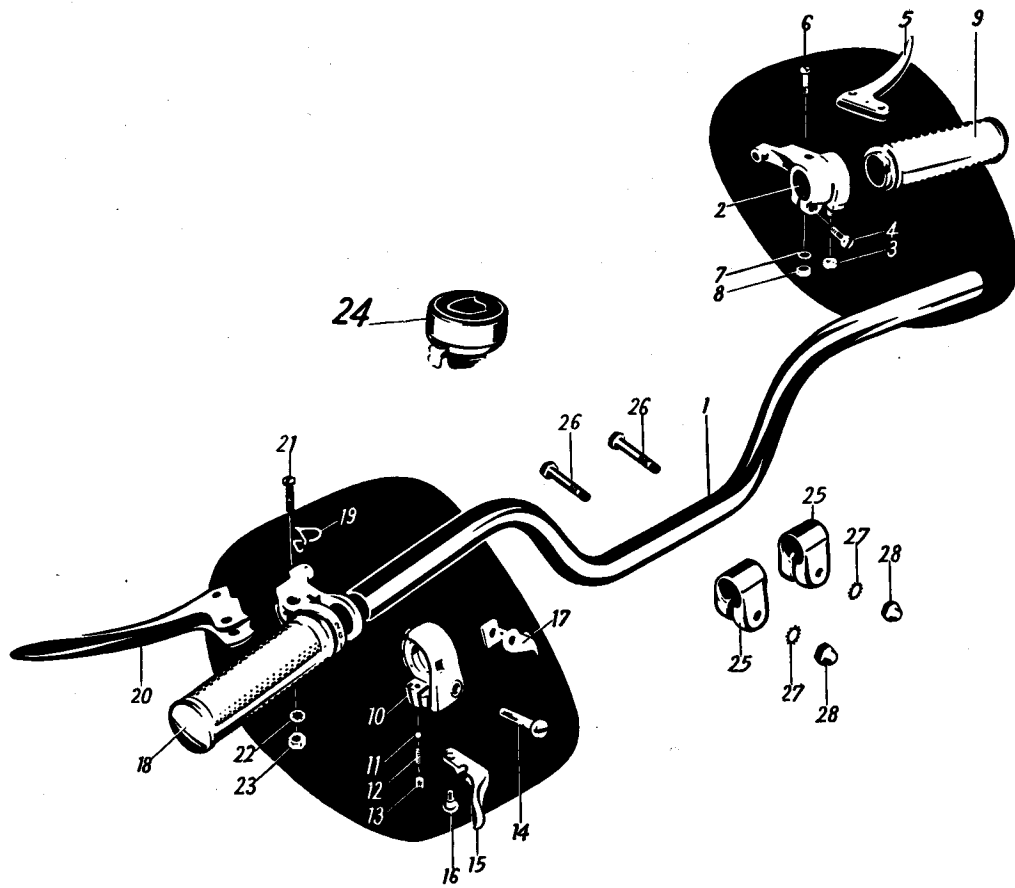




Description	Order-No.	Quantity	Remarks	Illustr.-No.
<b>QUICKLY</b>				
<b>N - S</b>				
	1 2			
Spring (round material)	16 41 03 010	2	} 482 755 / 522 990 →	30
Spring (square material)	16 41 04 010	2		—
Rubber plug	16 41 01 088	2	} 8x12x19 mm 109 742 / 117 526 → 8 mm diam	31
Bush	16 41 00 055	2		32
Bolt	16 41 00 054	2		33
Nut	16 41 00 050	2	} 482 755 / 522 990 →	34
Stop	16 41 00 515	2		35
Bolt	M 6x36 DIN 931	2		36
Lock washer	A 6,4 DIN 6798	2		37
Nut	M 6 DIN 934	2		38
<b>Parts for steering head bearing</b>				
Ball	024 049 962	each 21	5 mm diam	39
Cone	024 103 928	1		40
Cover	024 103 929	1		41
Nut	074 742 006	1		42
Washer	16 41 00 086	1	281 718 / 299 050 →	43
Handlebar support	16 41 02 046	1	in earlier vehicles than 80 700 / 86 472 2 Bolts 8x50 DIN 931 and 4 Spacers 16 93 00 401, in vehicles from 174 235 / 187 152 to 252 704 / 270 685 2 Bolts 8x18 DIN 931, 2 Lock washers A 8,4 DIN 6798 and 2 Nuts M 8 DIN 934 should be ordered with this part; state colour	44
Bolt	M 8x18 DIN 933	2	} → 174 234 / 187 151 252 705 / 270 686 →	45
Lock washer	A 8,4 DIN 6798	2		46
Nut	M 8 DIN 934	2		47
Bolt	M 8x66 DIN 931	1	} 174 235 / 187 152 → → 252 704 / 270 685	—
Lock washer	A 8,4 DIN 6798	1		—
Nut	M 8 DIN 934	1		—
Lock plate	16 41 00 051	1		48
Cap nut	024 103 441	1		49
Cap nut	16 41 01 048	1	{ only for vehicles with speedometer on cap nut → 281 717 / 299 049	—

Description	Order-No.	Quantity	Remarks	Illustr.-No.
			<b>QUICKLY N-S</b>	
				1 2 3 4 5 6 7 8 9 10
Handlebar assy	16 43 01 501	1	→ 482 754 / 522 989 in earlier vehicles than 268 491 / 286 208 Throttle cable 16 44 01 506 should be ordered with this part	—
Handlebar assy	16 43 02 501	1	{ 482 755 / 522 990 → Quickly-L optional	—
Handlebar tube	16 43 01 002	1		1
Throttle twistgrip	16 43 00 502	1	→ 268 490 / 286 207	—
Throttle twistgrip	16 43 01 502	1	{ 268 491 / 286 208 → → 482 754 / 522 989	—
Throttle twistgrip	16 43 02 502	1	{ 482 755 / 522 990 → → 669 680 / 716 442 is not supplied order 16 43 03 502	—
Throttle twistgrip	16 43 03 502	1	669 681 / 716 443 →	—
Twistgrip housing	16 44 00 900	1	→ 268 490 / 286 207	—
Twistgrip housing	16 44 01 900	1	{ 268 491 / 286 208 → → 482 754 / 522 989	—
Twistgrip housing	16 44 02 900	1	{ 482 755 / 522 990 → → 669 680 / 716 442	2
Twistgrip housing	16 44 04 900	1	669 681 / 716 443 →	—
Adjusting screw	074 743 618	1	{ M 6 → 268 490 / 286 207	—
Adjusting screw	16 44 00 922	1	{ M 7 268 491 / 286 208 → → 669 680 / 716 442	—
Adjusting screw	16 44 00 929	1	{ M 6 669 681 / 716 443 →	—
Nut	16 44 00 920	1	{ 268 491 / 286 208 → → 669 680 / 716 442	3
Nut	M 6 DIN 439	1	669 681 / 716 443 →	—
Screw	044 413 608	1		4
Lever	16 44 00 902	1		5
Bolt	16 44 00 903	1		6
Lock washer	J 5,3 DIN 6797	1		7
Nut	M 5 DIN 934	1		8
Twistgrip sleeve	16 44 00 901	1	→ 268 490 / 286 207	—
Twistgrip sleeve	16 44 01 901	1	{ 268 491 / 286 208 → → 669 680 / 716 442	9
Twistgrip sleeve	16 44 03 901	1	669 681 / 716 443 →	—
Rubber grip	16 44 00 904	1	→ 268 490 / 286 207	—
Rubber grip	16 44 01 904	1	268 491 / 286 208 →	—
Washer	16 44 00 921	1	{ 268 491 / 286 208 → → 669 680 / 716 442	—
Washer	16 44 02 921	1	669 681 / 716 443 →	—
<b>Gear change twistgrip</b>	16 43 01 503	1		—
Housing	16 44 00 905	1	→ 268 490 / 286 207	—
Housing	16 44 01 905	1	268 491 / 286 208 →	10
Ball	11 13 00 780	1	4 mm diam	11
Spring	16 44 00 911	1		12
Grub screw	014 106 433	1	M 5x4	13

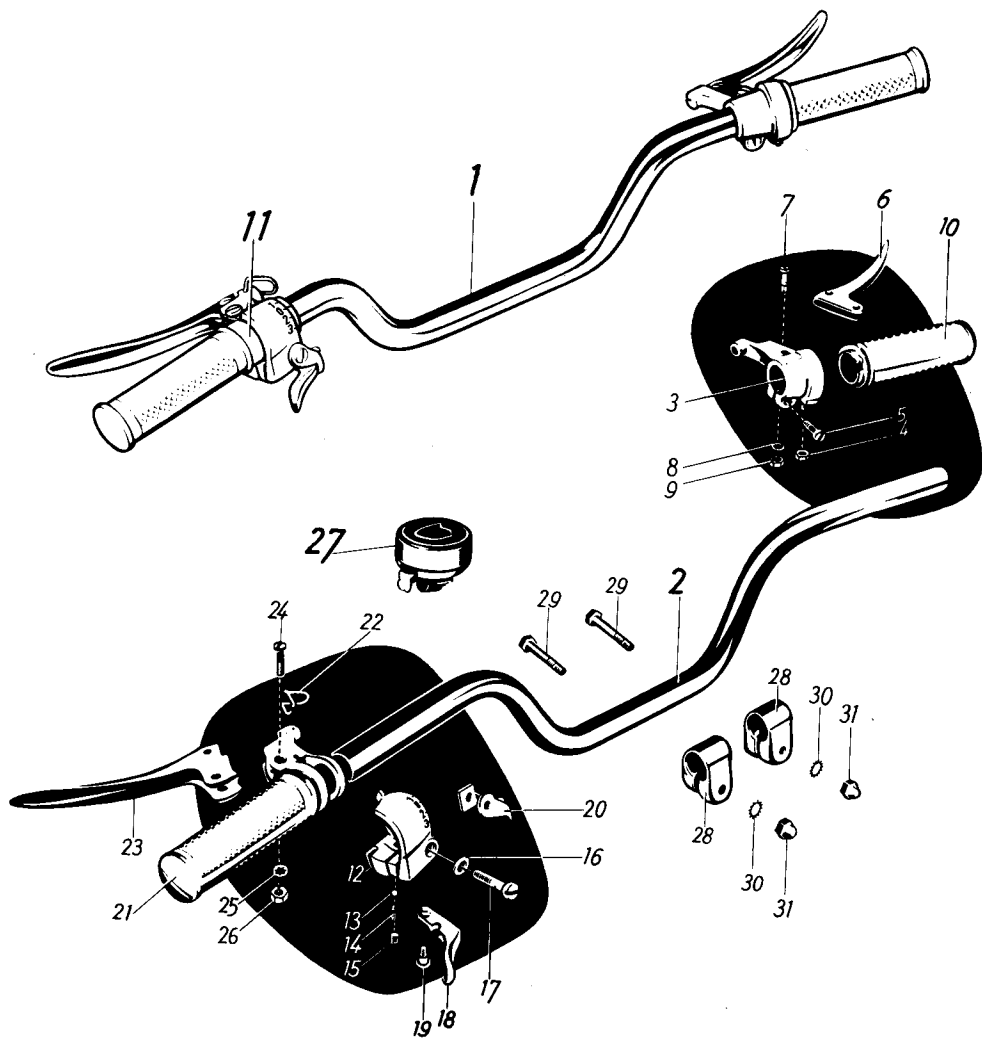


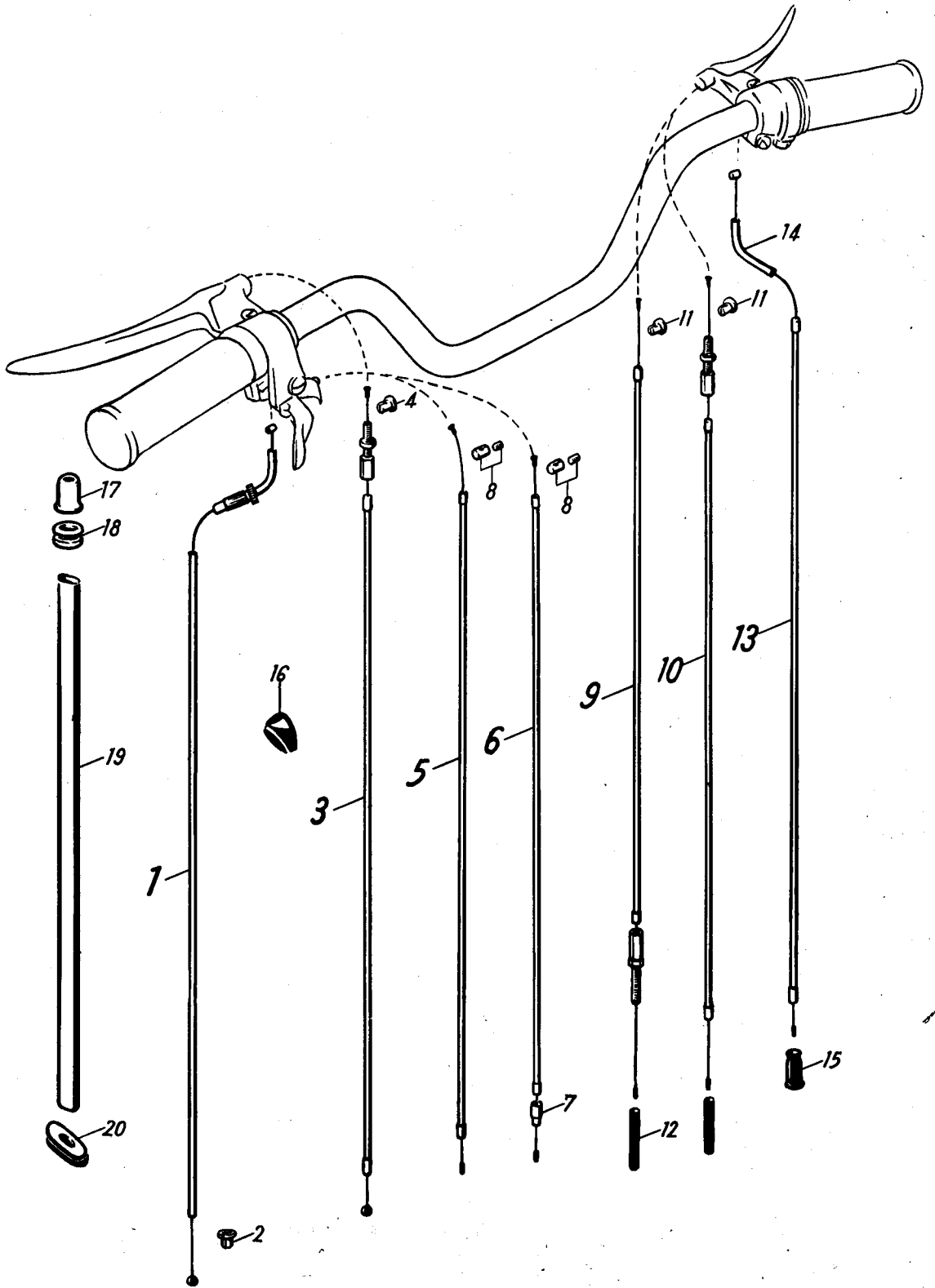




Description	Order-No.	Quantity	Remarks	Illustr.-No.
			<b>QUICKLY N-S</b>	
	1 2 3 4 5			
Washer	6,4 DIN 125	1		—
Screw	16 44 00 913	1		14
Decompressor lever	16 44 00 909	1		15
Screw	M 4x4 DIN 923	1		16
Spring washer	16 44 00 923	1		—
Support	16 44 00 916	1		17
Twistgrip sleeve	16 44 00 906	1	→ 268 490 / 286 207	—
Twistgrip sleeve	16 44 01 906	1	268 491 / 286 208 →	18
Rubber grip	16 44 00 904	1		—
Stirrup	16 44 00 910	1		19
Clutch lever	16 44 00 907	1		20
Bolt	16 44 00 908	1		21
Lock washer	J 5,3 DIN 6797	1		22
Nut	M 5 DIN 934	1		23
<b>Bell</b>	16 44 00 505	1		24
Clip	16 43 00 001	2		25
Washer	16 43 00 050	2		—
Bolt	M 8x45 DIN 931	2		26
Lock washer	A 8,4 DIN 6798	4		27
Cap nut	M 8 DIN 1587	2		28

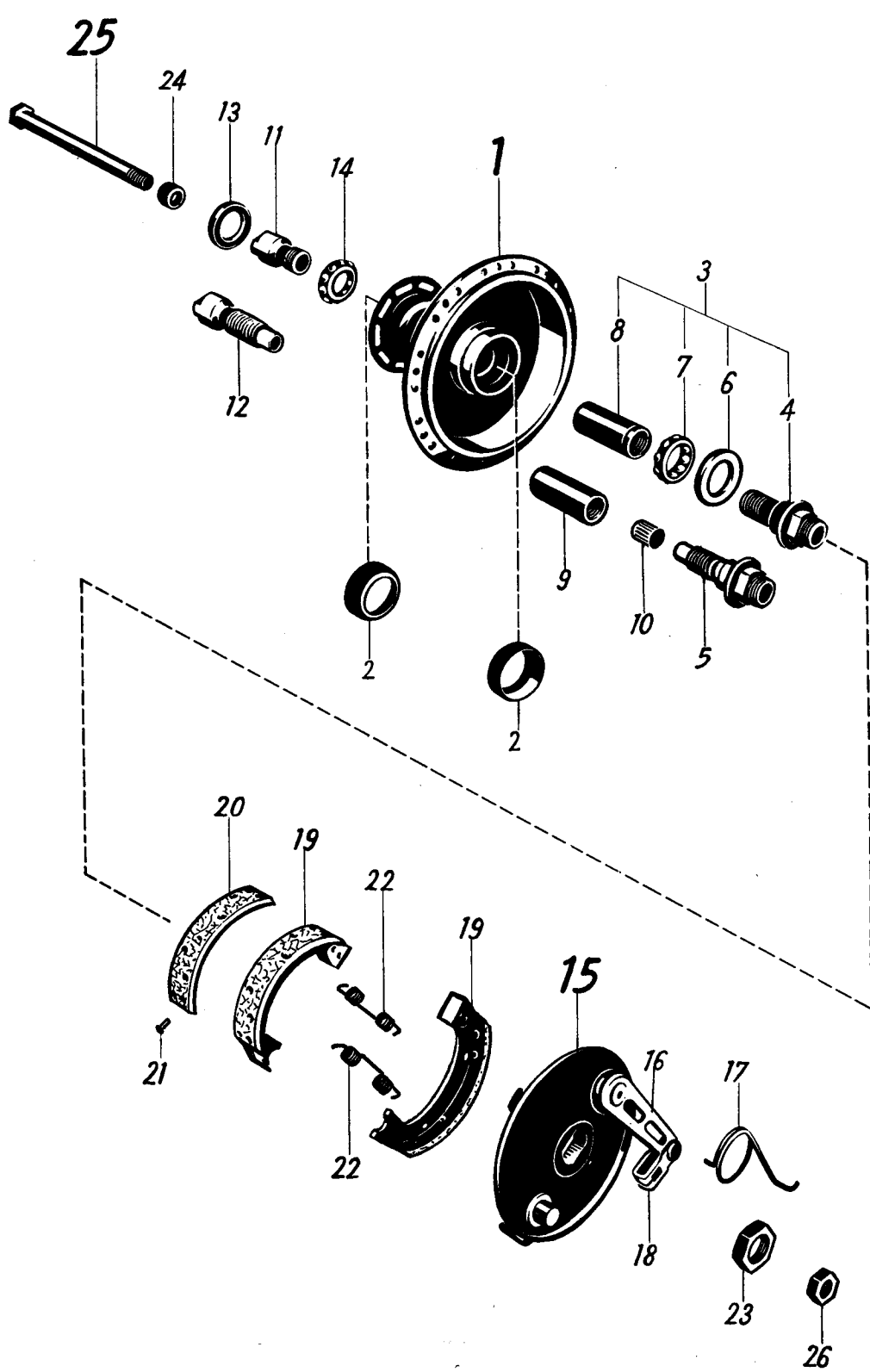
Description	Order-No.	Quantity	Remarks	Illustr.-No.
			<b>QUICKLY N-S</b>	
	1 2 3			
<b>Handlebar assy</b>	16 43 06 501	1	650 097 / 701 068 → 3 gears alternatively with 2 gears. Quickly-L optional	1
Handlebar tube	16 43 01 002	1		2
<b>Throttle twistgrip</b>	16 43 03 502	1		—
Twistgrip housing	16 44 04 900	1		3
Adjusting screw	16 44 00 929	1	M 6	—
Nut	M 6 DIN 439	1		4
Screw	044 413 608	1		5
Lever	16 44 00 902	1		6
Bolt	16 44 00 903	1		7
Lock washer	5,3 DIN 6797	1		8
Nut	M 5 DIN 934	1		9
Twistgrip sleeve	16 44 03 901	1		10
Rubber grip	16 44 01 904	1		—
Washer	16 44 02 921	1		—
<b>Gear change twistgrip</b>	16 43 02 503			11
Housing	16 44 04 905	1		12
Ball	11 13 00 780	1	4 mm diam	13
Spring	16 44 00 911	1		14
Grub screw	014 106 433	1	M 5x4 mm	15
Washer	6,4 DIN 125	1		16
Screw	16 44 00 913	1		17
Decompressor, lever	16 44 00 909	1		18
Screw	M 4x4 DIN 923	1		19
Spring washer	16 44 00 923	1		—
Support	16 44 00 916	1		20
Twistgrip sleeve	16 44 04 906	1		21
Rubber grip	16 44 00 904	1		—
Stirrup	16 44 00 910	1		22
Clutch lever	16 44 02 907	1		23
Bolt	16 44 00 908	1		24
Lock washer	J 5,3 DIN 6797	1		25
Nut	M 5 DIN 934	1		26
<b>Bell</b>	16 44 00 505	1		27
Clip	16 43 00 001	2		28
Washer	16 43 00 050	2		—
Bolt	M 8x45 DIN 931	2		29
Lock washer	A 8,4 DIN 6798	4		30
Cap nut	M 8 DIN 1587	2		31

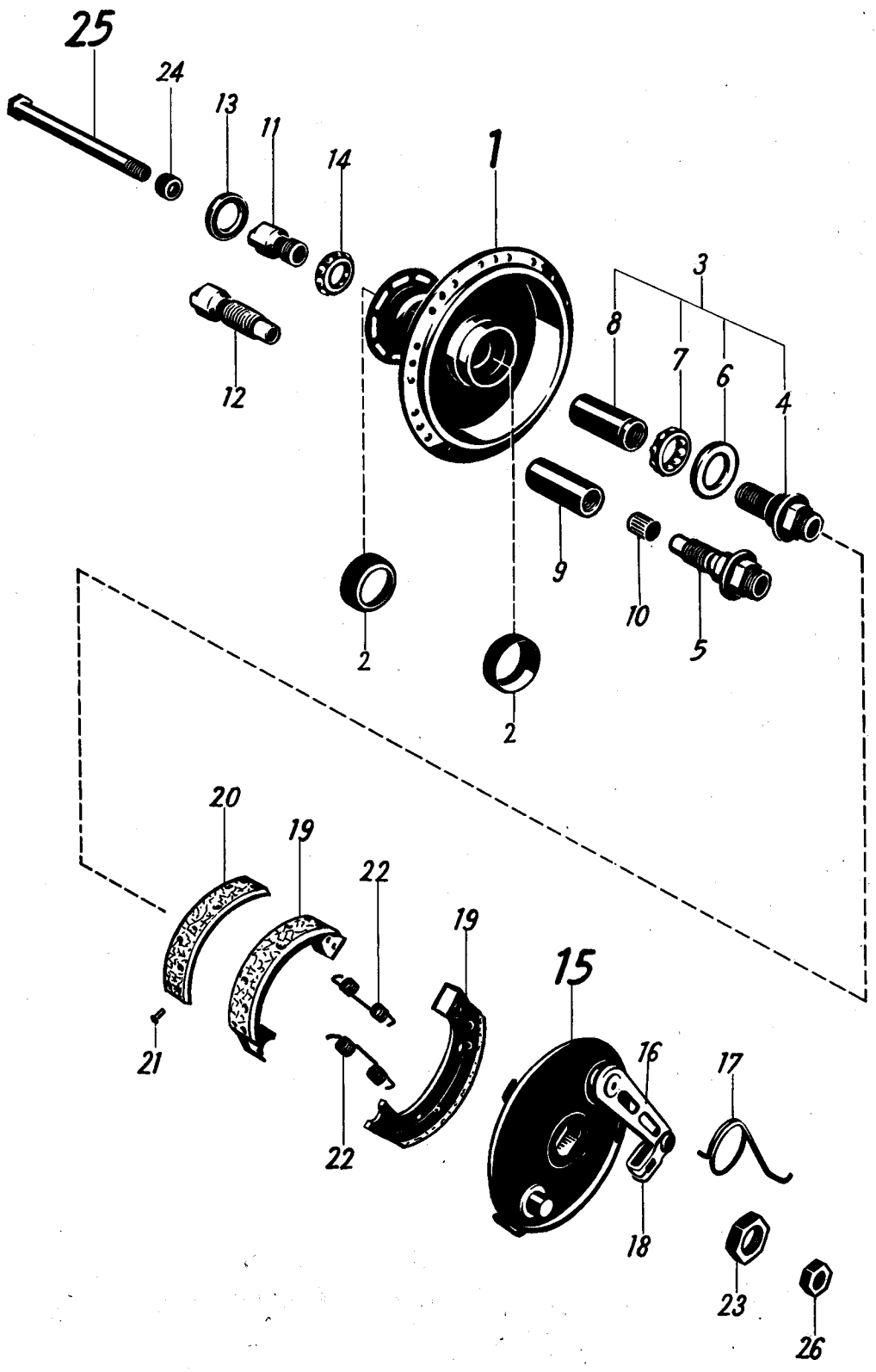




Description	Order-No.	Quantity	Remarks	Illustr.-No.
			<b>QUICKLY N-S</b>	
	1 2 3			
<b>Gear change cable</b>	16 44 00 503	1	→ 482 754 / 522 989	—
<b>Gear change cable</b>	16 44 02 503	1	} 2 Gears Sleeve 16 44 01 002 should be ordered with this part. 482 755 / 522 990 →	1
Sleeve	16 44 01 002	1		2
<b>Gear change cable</b>	16 44 05 503	2	} 3 Gears	—
Nipple	16 44 00 056	1		—
<b>Clutch cable</b>	16 44 00 502	1		3
Nipple seat	16 44 00 023	1		4
<b>Decompressor cable</b>	16 44 00 504	1	→ 482 754 / 522 989	5
<b>Decompressor cable</b>	16 44 01 504	1	} L = 750 mm 482 755 / 522 990 →	6
Nipple seat	16 44 00 931	1		7
Nipple	16 44 00 021	1		8
<b>Front brake cable</b>	16 44 00 501	1	→ 482 754 / 522 989	9
<b>Front brake cable</b>	16 44 02 501	1	482 755 / 522 990 →	10
Nipple seat	16 44 00 023	1		11
Rubber hose	16 44 00 003	1	L = 80 mm	12
Rubber hose	16 44 01 003	1	L = 48 mm	—
<b>Throttle cable</b>	16 44 00 509	1	} upper nipple 2,5 mm → 268 490 / 286 207	—
<b>Throttle cable</b>	16 44 01 509	1		} upper nipple 5 mm 268 491 / 286 208 →
<b>Throttle cable</b>	16 44 00 519	1	646 411 / 693 353 →	
Tube	16 44 00 008	1		14
Rubber sleeve	16 44 00 025	1		15
Rubber sleeve	16 44 00 001	1	→ 482 754 / 522 989	16
Rubber cap	16 44 00 040	1		17
Rubber sleeve	16 44 01 001	1		18
Protecting sleeve	16 44 00 039	1	} L = 510 mm 482 755 / 522 990 →	19
Rubber sleeve	16 44 00 042	1		20
Rubber cable strap	16 44 00 041	2	} 2 Gears	—
Rubber cable strap	16 44 01 041	2		3 Gears

Description	Order-No.	Quantity	Remarks	Illustr.-No.
			<b>QUICKLY</b>	
			<b>N-S</b>	
	1 2 3 4 5			
Front wheel	16 51 00 517	1		—
Front wheel	16 51 00 518	1		—
Rim	16 52 00 038	1	{ for Quickly-N indicate colour	—
Rim (chrome)	16 52 00 036	1	for Quickly-S	—
Spake	16 52 00 056	18	{ Thickend 3 mm L = 262 mm	—
Spake	16 52 00 601	18	{ Thickend 3 mm L = 235 mm	—
Nipple	075 751 603	36		→ 482 754 / 522 989
Front wheel hub	16 51 01 507	1		—
Hub	16 51 01 900	1		1
Ball race	16 51 00 023	2		2
Cone	16 51 01 515	1		3
Cone, right	16 52 00 015	1	} → 261 860 / 279 418	4
Cone, right	16 52 01 015	1	{ 261 861 / 279 419 → → 482 754 / 522 989	5
Seal ring	16 51 00 045	1	} 18x30,2x5 mm	6
Ball cage	16 51 00 044	1	} → 482 754 / 522 989	7
Spacer	16 52 01 017	1	{ 39 mm long → 261 860 / 279 418	8
Spacer	16 52 02 017	1	{ 39 mm long 261 861 / 279 419 → → 482 754 / 522 989	9
Tolerance ring	16 52 00 037	1		10
Grooved pin	2,6x3 DIN 1476	1		—
Cone, left	16 52 00 016	1	} → 261 860 / 279 418	11
Cone, left	16 52 01 016	1	{ 261 861 / 279 419 → → 482 754 / 522 989	12
Seal ring	16 51 00 045	1	18x30,2x5 mm	13
Ball cage	16 51 00 044	1		14
Front bracke	16 51 00 511	1		—
Bracke plate	16 51 00 902	1		15
Bracke operating cam	16 51 01 027	1	} in earlier vehicles than 50 000 / 52 400 should be ordered only compl.	—
Bracke lever	16 51 00 502	1		16
Spring	16 51 00 035	1		17
Yoke	015 099 180	1		18
Rivet	5x8 DIN 660	1	} for repair	→ 482 754 / 522 989
Brake shoe	16 51 01 509	2		19
Lining	16 51 01 001	2		20
Rivet	16 51 00 043	16		21
Spring	16 51 00 030	2		22
Shim	16 51 00 054	as req.	18,2x26x0,2; 0,3 mm	—
Nut	16 51 00 025	1		23

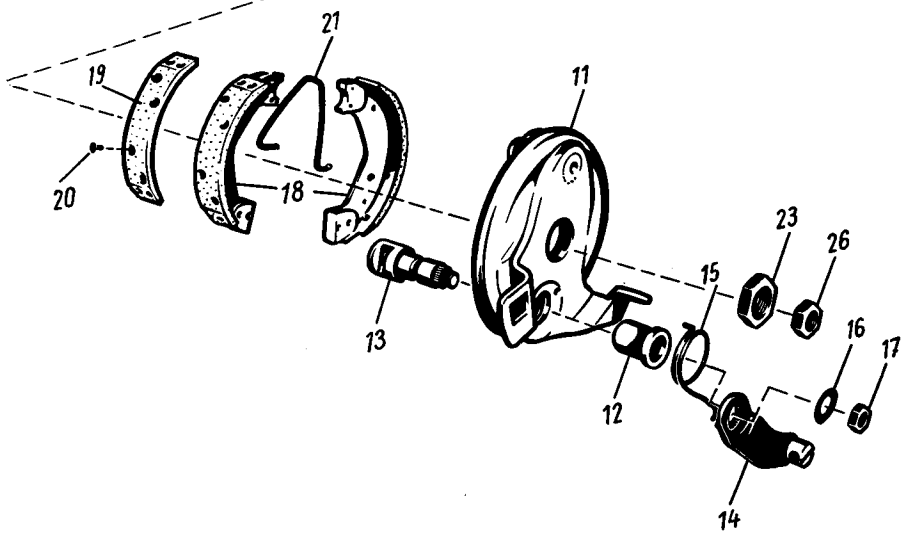
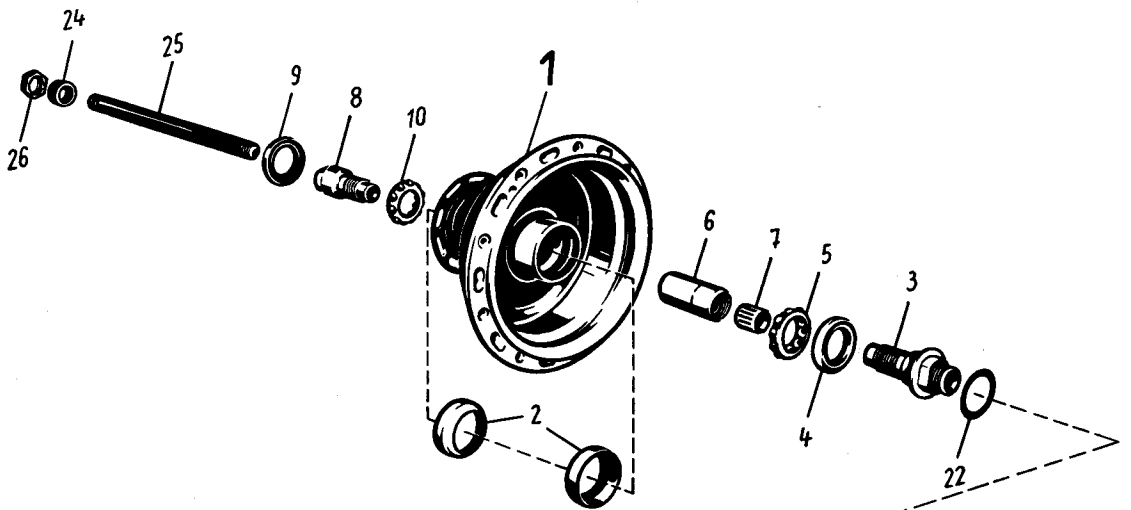


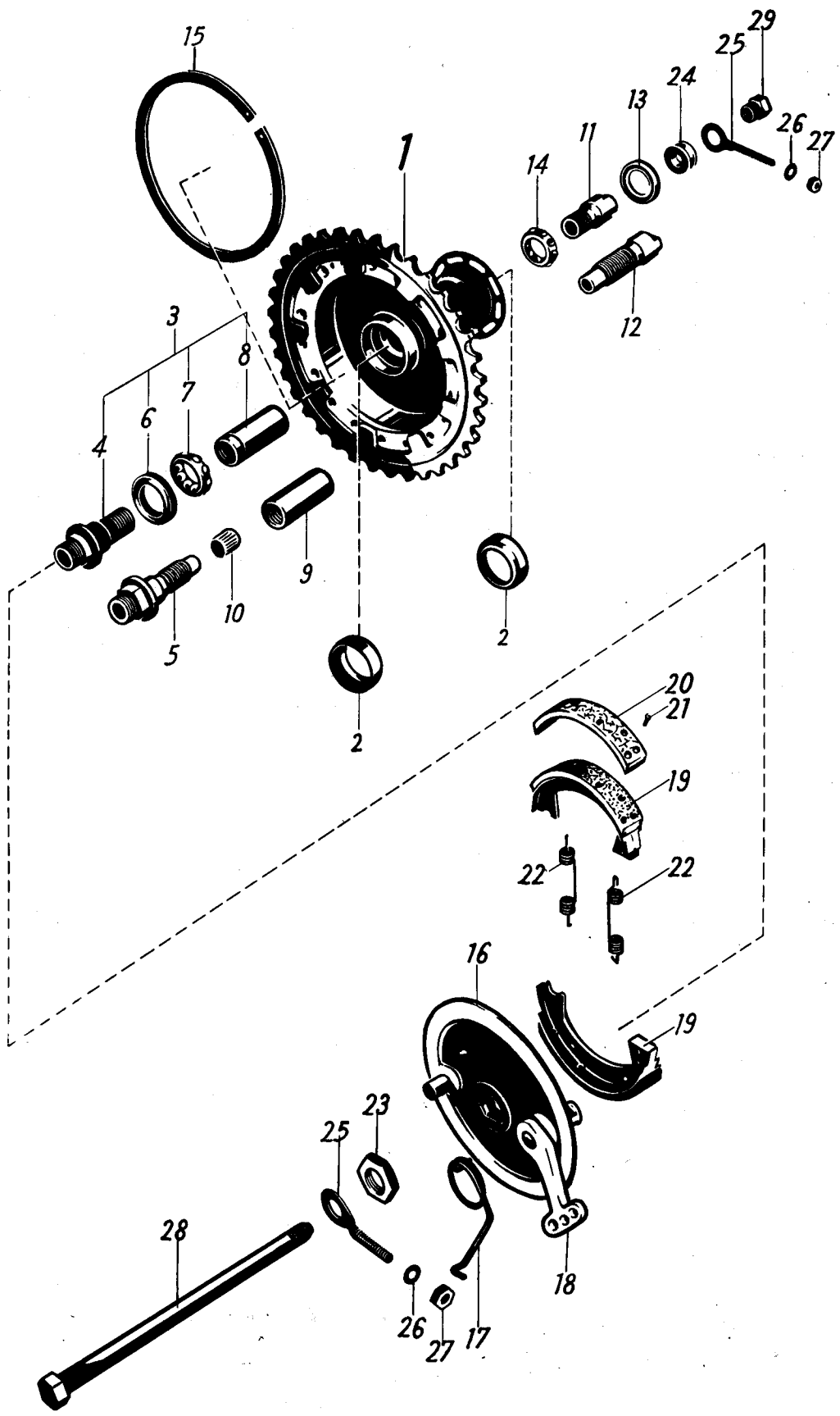




Description	Order-No.	Quantity	Remarks	Illustr.-No.	
<b>QUICKLY N-S</b>					
Sleeve	16 51 00 009	1	} 10,2x15x7,6 mm -> 50 340 / 52 750	—	
Ring	16 51 00 017	1		} 10,2x15x3,6 mm	—
Ring	16 51 00 017	2	} 10,2x15x3,6 mm 50 341 / 52 751 -> -> 482 754 / 522 989	24	
<b>Spindle</b>	16 51 00 028	1		} -> 482 754 / 522 989	25
Nut	16 51 00 036	1			26
Well filler	26—2,00	—	} not supplied	—	
Inner tube	26—2,00	—			—
Tyre	26—2,00	—			—

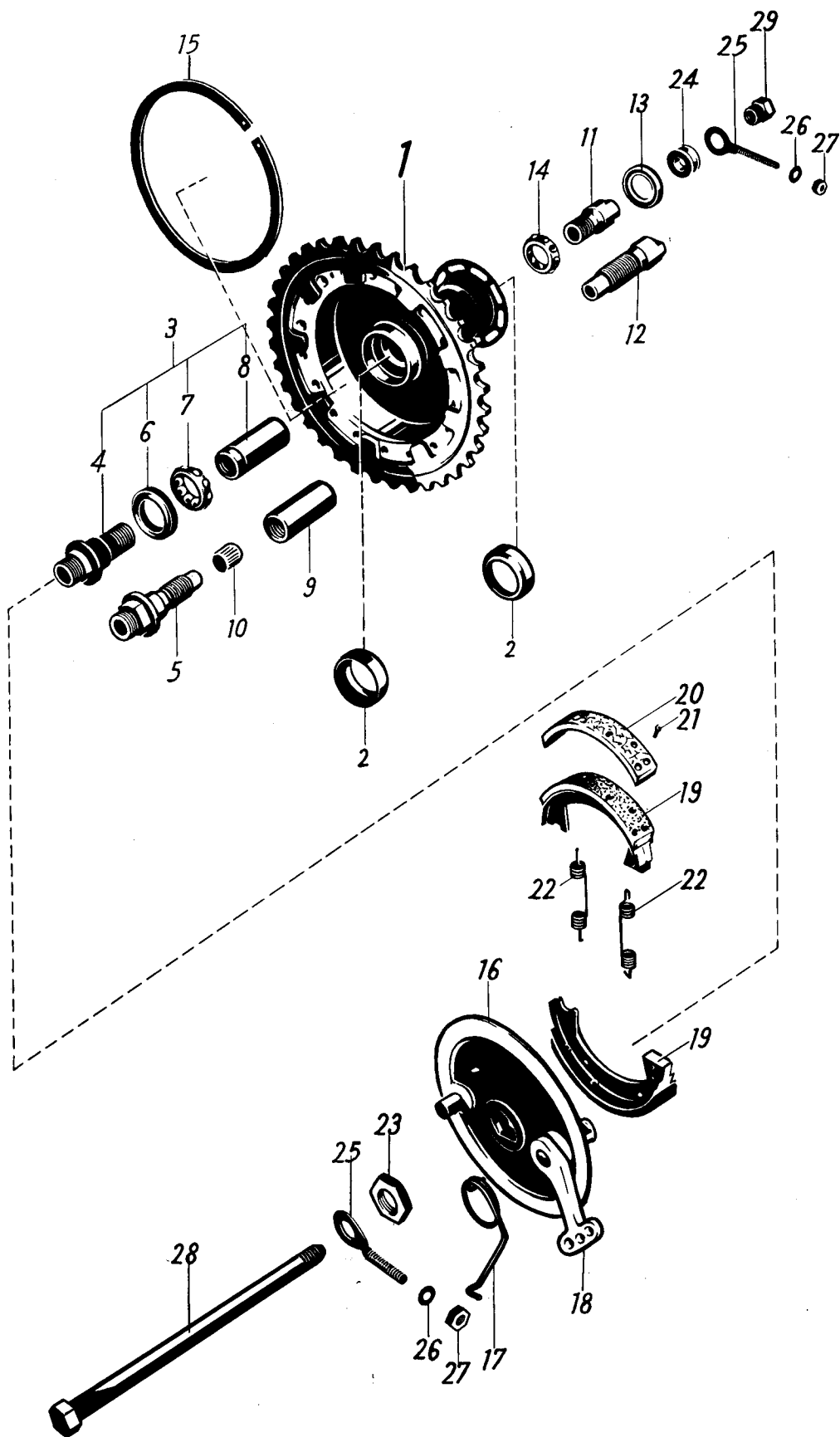
Description	Order-No.	Quantity	Remarks	Illustr.-No.
			<b>QUICKLY</b>	
			<b>N-S</b>	
	1 2 3 4			
<b>Front wheel</b>	16 51 01 517	1		—
<b>Front wheel without brake</b>	16 51 01 518	1		—
Rim	16 52 00 038	1	{ for Quickly-N state colour	—
Rim (chrome)	16 52 00 036	1	for Quickly-S	—
Spoke	16 52 00 056	18	{ Thickend 3 mm L = 262 mm	—
Spoke	16 52 00 055	18	{ Thickend 3 mm L = 233 mm	—
Nipple	075 751 603	36		—
<b>Front wheel hub</b>	16 51 03 507	1		—
Hub	16 51 02 900	1		1
Ball race	16 51 00 023	2		2
Cone	16 52 01 015	1		3
Seal ring	16 51 00 045	1	18x30,2x5 mm	4
Ball cage	16 51 00 044	1		5
Spacer	16 52 02 017	1	39 mm long	6
Tolerance ring	16 52 00 037	1		7
Cone	16 52 01 016	1		8
Seal ring	16 51 00 045	1	18x30,2x5 mm	9
Ball cage	16 51 00 044	1		10
<b>Front brake</b>	16 51 02 511	1	482 755 / 522 990 →	—
Brake plate	16 51 04 503	1		11
Bush	16 52 03 026	1	12x15x19 mm	12
Brake cam	16 51 03 027	1		13
Brake lever	16 51 01 502	1		14
Return spring	16 51 01 035	1		15
Spring washer	B 7 DIN 137	1		16
Nut	16 52 01 043	1		17
Brake shoe	16 51 02 509	2		18
Lining	16 52 01 034	2		19
Rivet	16 51 00 043	16		20
Spring	16 51 03 030	1		21
Shim	16 51 00 054	as req.	18,2x26x0,2; 0,3 mm	22
Shim	16 51 01 054	as req.	18,2x26x0,5 mm	—
Nut	16 51 00 025	1		23
Ring	16 51 02 017	1	10,2x15x9,2 mm	24
<b>Spindle</b>	16 51 02 028	1		25
Nut	16 51 00 036	2		26
Well filler	26—2,00	—		—
Inner tube	26—2,00	—	not supplied	—
Tyre	26—2,00	—		—

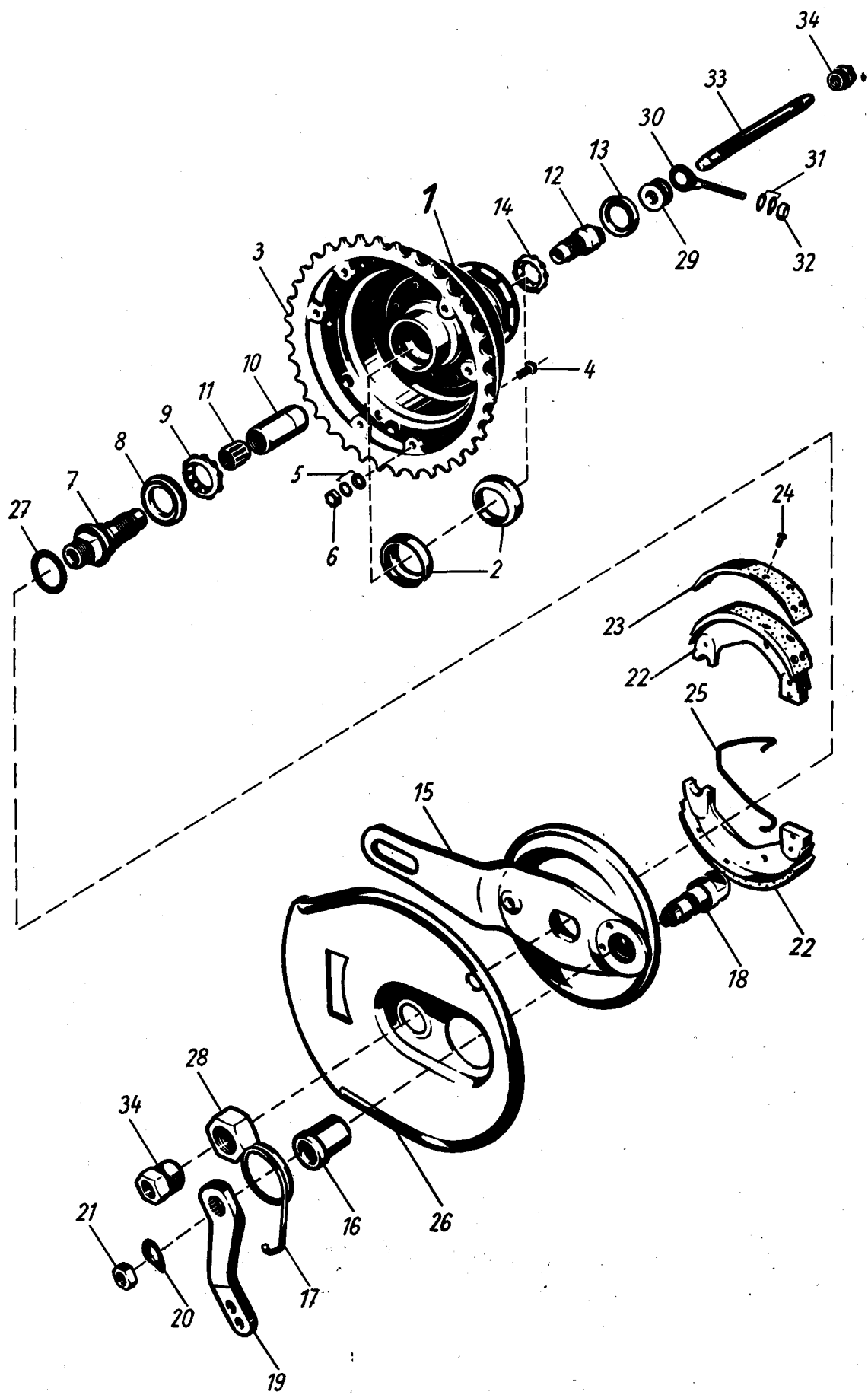




Description	Order-No.	Quantity	Remarks	Illustr.-No.
<b>QUICKLY N-S</b>				
				1 2 3 4
<b>Rear wheel</b>	16 52 00 519	1	36 No of teeth	—
<b>Rear wheel without brake</b>	16 52 00 520	1	36 No of teeth	—
Rim	16 52 00 038	1		—
Rim (chrome)	16 52 00 036	1	→ 482 754 / 522 989	—
Spoke	16 52 00 601	18	236 mm / 3 mm diam	—
Spoke	16 52 00 056	18	262 mm / 3 mm diam	—
Nipple	075 751 603	36		—
<b>Rear wheel hub</b>	16 52 02 508	1	36 No of teeth	—
<b>Hub</b>	16 52 02 900	1	36 No of teeth	1
Ball race	16 51 00 023	2		2
Cone	16 51 01 515	1	} → 259 464 / 277 026	3
Cone, left	16 52 00 015	1		4
Cone, left	16 52 01 015	1	{ 259 465 / 277 027 → → 482 754 / 522 989	5
Seal ring	16 51 00 045	1	} 18x30,2x5 → 482 754 / 522 989	6
Ball cage	16 51 00 044	1		7
Spacer	16 52 01 017	1	{ 39 mm → 259 464 / 277 026	8
Spacer	16 52 02 017	1	} 39 mm 259 465 / 277 027 → → 482 754 / 522 989	9
Tolerance ring	16 52 00 037	1		10
Grooved pin	2,6x3 DIN 1476	1	} → 259 464 / 277 026	—
Cone, right	16 52 00 016	1		11
Cone, right	16 52 01 016	1	{ 259 465 / 277 027 → → 482 754 / 522 989	12
Seal ring	16 51 00 045	1	} 18x30,2x5 → 482 754 / 522 989	13
Ball cage	16 51 00 044	1		14
Circlip	16 52 00 031	1	{ 67 501 / 72 318 → → 482 754 / 522 989	15

Description	Order-No.	Quantity	Remarks	Illustr.-No
<b>QUICKLY N-S</b>				
	1 2 3 4			
Rear brake	16 52 01 509	1	Brake plate 132 mm diam in earlier vehicles than 67 500 / 72 317 order Circlip 16 52 00 031 with this part	—
Brake plate	16 52 01 903	1	Brake plate 132 mm diam in earlier vehicles than 67 500 / 72 317 order Circlip 16 52 00 031 with this part	16
Spring	16 52 01 021	1		17
Brake operating cam	16 51 01 027	1		—
Brake lever	16 52 01 003	1		18
Brake shoe	16 51 00 509	2		19
Lining	16 51 00 001	2		20
Rivet	16 51 00 043	16		21
Spring	16 51 00 030	2	→ 482 754 / 522 989	22
Shim	16 51 00 054	as req.	18,2x26x0,2	—
Nut	16 51 00 025	1		23
Spacer	16 52 01 018	1	10,5 mm	24
Chain adjusting screw	16 52 00 011	2		25
Spring washer	B 6 DIN 137	2		26
Nut	M 6 DIN 934	2		27
Spindle	16 52 00 014	1		28
Nut	16 51 01 036	1		29
Well filler	26—2,00	—	} not supplied	—
Inner tube	26—2,00	—		—
Tyre	26—2,00	—		—

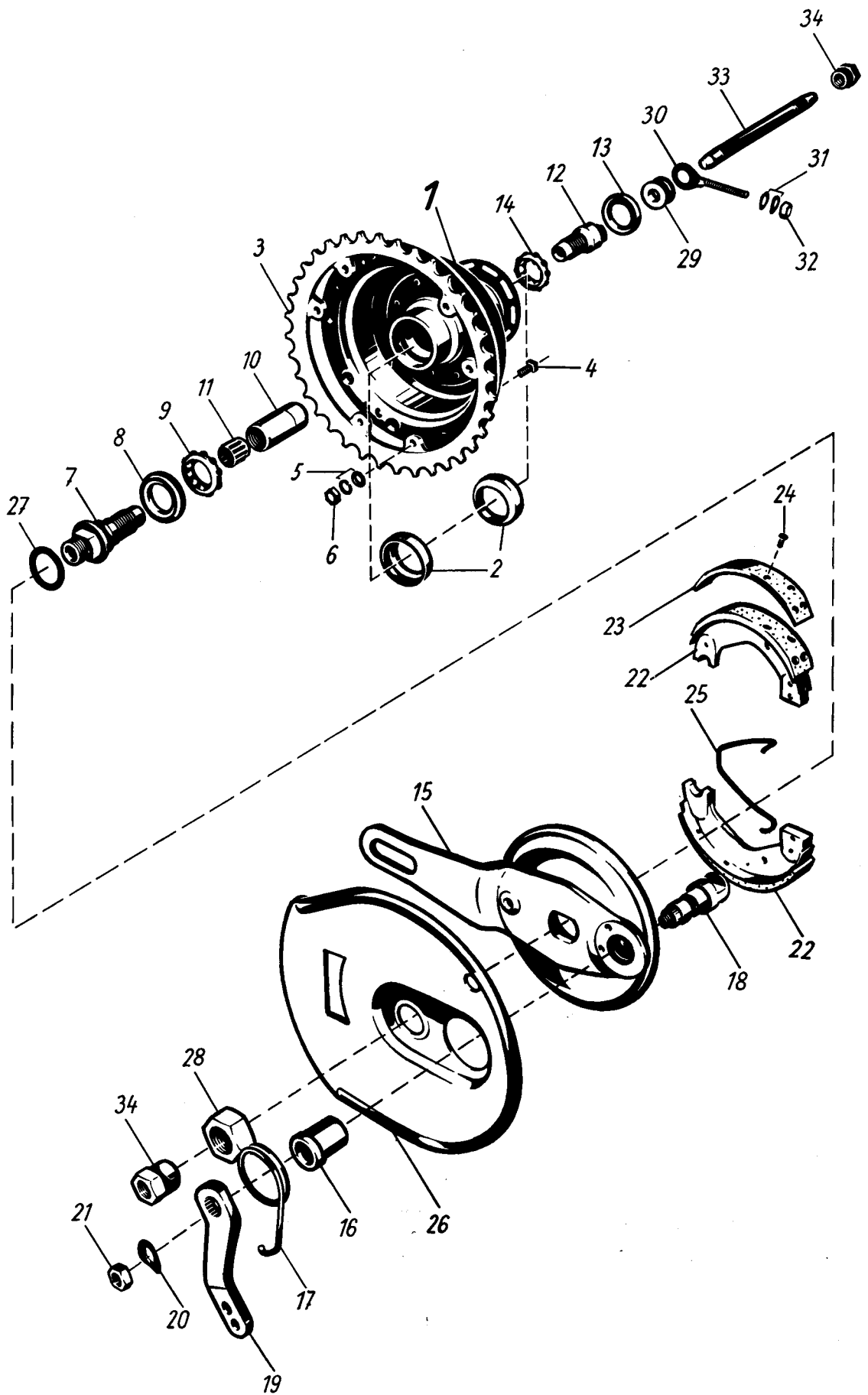


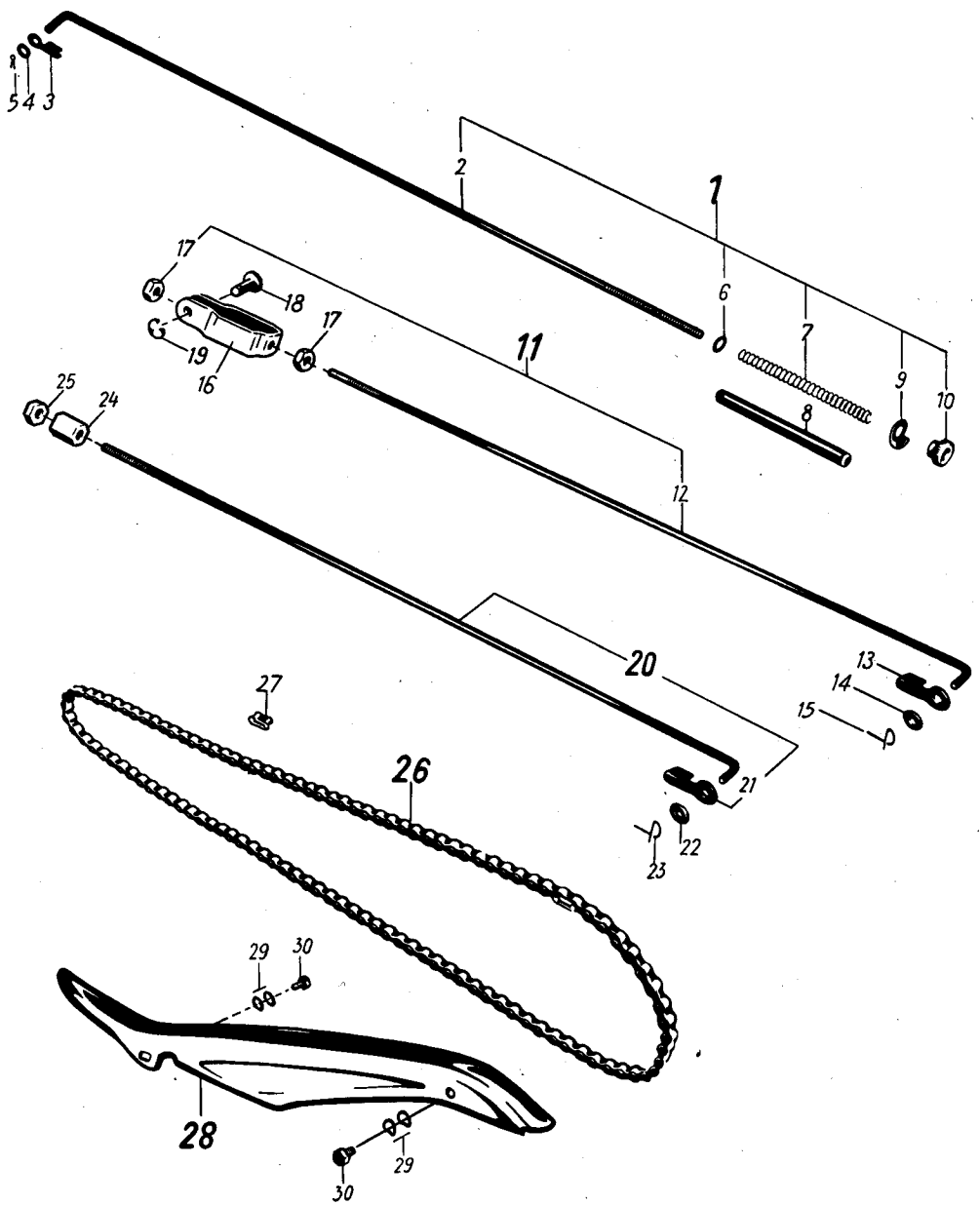




Description	Order-No.	Quantity	Remarks	Illustr.-No.
<b>QUICKLY</b>				
<b>N-S</b>				
	1 2 3 4			
<b>Rear wheel</b>	16 52 01 519	1	36 No of teeth	—
<b>Rear wheel</b> (without brake)	16 52 01 520	1	36 No of teeth	—
Rim	16 52 00 038	1	for Quickly-N; please state colour	—
Rim (chrome)	16 52 00 036	1	for Quickly-S	—
Spoke	16 52 00 056	18	L = 233 mm	—
Spoke	16 52 00 055	18	L = 262 mm	—
Nipple	075 751 603	36		—
<b>Rear wheel hub</b>	16 52 03 508	1	36 No of teeth	—
Hub	16 52 03 900	1	36 No of teeth	1
Ball race	16 51 00 023	2		2
Sprocket	16 52 03 005	1	36 No of teeth	3
Bolt	16 52 01 044	6		4
Spring ring	A 5 DIN 127	6		5
Nut	16 52 00 045	6		6
Cone	16 52 01 015	1		7
Seal ring	16 51 00 045	1	18x30,2x5 mm	8
Ball cage	16 51 00 044	1	1/4" diam	9
Spacer	16 52 02 017	1	39 mm	10
Tolerancing	16 52 00 037	1	482 755 / 522 990 →	11
Cone	16 52 01 016	1		12
Seal ring	16 51 00 045	1	18x30,2x5 mm	13
Ball cage	16 51 00 044	1		14
<b>Rear brake</b>	16 52 02 509	1		—
Brake plate	16 52 01 518	1		15
Bush	16 52 03 026	1	12x15x19 mm	16
Spring	16 52 03 021	1		17
Brake operating cam	16 51 03 027	1		18
Brake lefer	16 52 03 003	1		19
Spring washer	B 7 DIN 137	1		20
Nut	16 52 01 043	1		21
Brake shoe	16 51 02 509	2		22
Lining	16 52 01 034	2		23
Rivet	16 51 00 043	16		24
Spring	16 51 03 030	1		25
Cover	16 52 00 046	1		26
Shim	16 51 00 054	as req.	18,2x26x0,2; 0,3 mm	27
Shim	16 51 01 054	as req.	18,2x26x0,5 mm	—
Nut	16 52 00 049	1		28

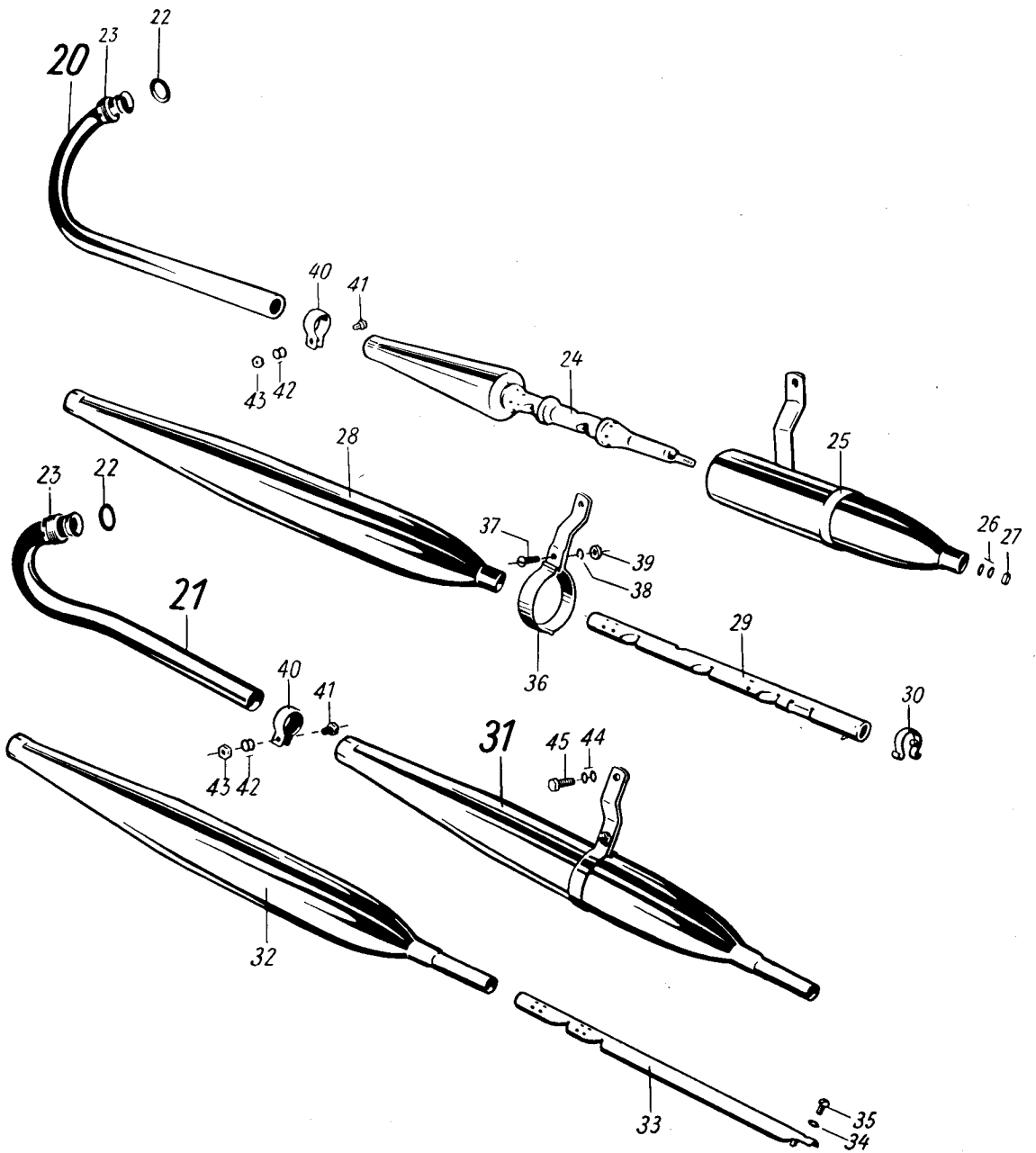
Description	Order-No.	Quantity	Remarks	Illustr.-No.
<b>QUICKLY N-S</b>				
Spoker	16 52 01 018	1	} 482 755 / 522 990 →	29
Chain adjusting screw	16 52 00 011	2		30
Spring washer	B 6 DIN 137	2		31
Nut	M 6 DIN 934	2		32
Spindle	16 52 01 014	2		33
Nut	16 51 01 036	2	} 482 755 / 522 990 →	34
Well filler	26-2,00	—	} not supplied	—
Inner tube	26-2,00	—		—
Tyre	26-2,00	—		—

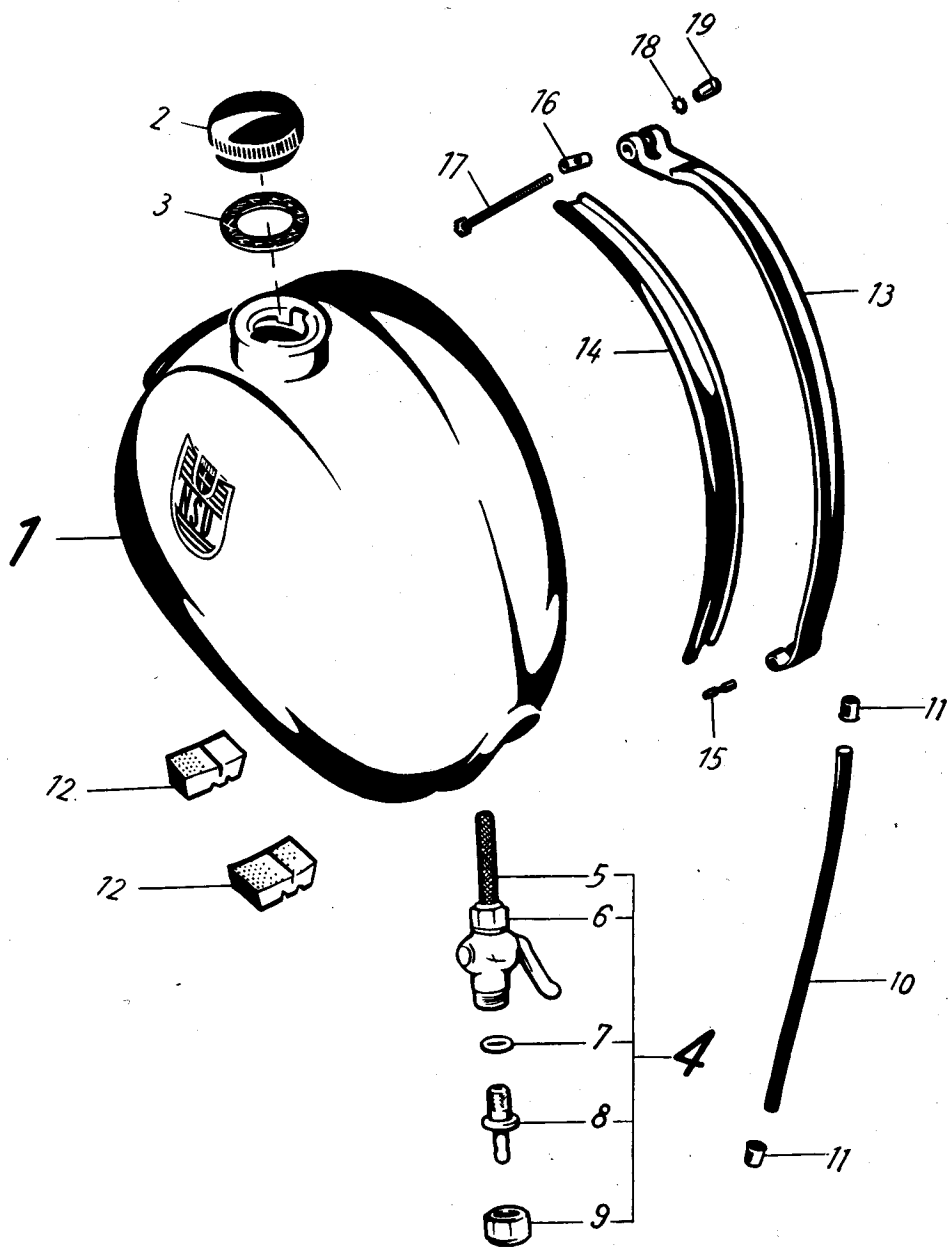




Description	Order-No.	Quantity	Remarks	Illustr.-No.	
<b>QUICKLY N-S</b>					
	1 2				
<b>Brake rod assy</b>	16 53 00 501	1	L = 555 mm	1	
Brake rod	075 753 506	1		2	
Lock plate	025 100 655	1		3	
Washer	125 059 963	1		5,2x12x1 mm	4
Split pin	2x15 DIN 94	1		→ 50 340 / 52 750	5
Washer	125 059 963	1			5,2x12x1 mm
Spring	035 044 998	1			7
Hose	035 099 491	1			8
Lock plate	16 53 00 002	1			9
Nut	16 53 00 003	1			10
<b>Brake rod assy</b>	16 53 00 900	1	L = 505 mm	11	
Brake rod	16 53 00 502	1		12	
Lock plate	025 100 655	1		13	
Washer	125 059 963	1		5,2x12x1 mm	14
Locking spg.	11 53 00 819	1		50 341 / 52 751 → → 482 754 / 522 989	15
Clevis link	16 53 00 006	1			16
Nut	M 5 DIN 934	2			17
Pin	16 53 00 005	1			18
Circlip	5 DIN 6799	1			19
<b>Brake rod assy</b>	16 53 01 502	1		L = 557 mm	20
Lock plate	025 100 655	1	21		
Washer	125 059 963	1	5,2x12x1 mm		22
Locking spring	11 53 00 819	1	482 755 / 522 990 →		23
Nut	16 53 01 003	1			24
Nut	M 5 DIN 934	1			25
<b>Final drive and guard</b>					
<b>Chain</b>					
112 links	16 54 00 600	1	1 E 12,7x4,88 DIN 8180	26	
Connecting link	16 54 00 601	1	1 E 12,7x4,88 DIN 8180	27	
Cranked link, double	16 54 00 603	1	1 C 12,7x4,88 DIN 8180	—	
Chain guard	16 54 00 501	1		28	
Spring washer	B 6 DIN 137	4		29	
Screw	M 6x10 DIN 933	2		30	

Description	Order-No.	Quantity	Remarks	Illustr.-No.
			<b>QUICKLY N-S</b>	
	1 2			
Exhaust pipe	16 71 00 005	1	for exhaust system left	20
Exhaust pipe	16 71 01 005	1	for exhaust system right	21
Seal ring	16 71 00 002	2		22
Union	16 71 00 001	1		23
<b>Silencer assy</b>	16 71 00 502	1	{ not supplied order 16 71 02 502	—
Silencer	16 71 00 503	1	} → 100 500 / 107 393 → 103 081 / 109 873 → → 105 061 / 112 072	24
Outer tube	16 71 00 504	1		25
Spring washer	A 6 DIN 137	2		26
Nut	16 71 00 600	1		27
<b>Silencer assy</b>	16 71 01 502	1	{ L = 525 mm not supplied order 16 71 02 502	—
Silencer	16 71 00 505	1	} 100 501 / 107 394 → → 103 080 / 109 872 105 061 / 112 073 → → 331 788 / 349 435	28
Baffle	16 71 00 009	1		29
Spring	16 71 00 506	1		30
<b>Silencer assy</b>	16 71 02 502	1		{ L = 625 mm
Silencer	16 71 02 505	1	} 331 789 / 349 436 →	32
Baffle	16 71 01 009	1		33
Lock washer	J 4,3 DIN 6798	1		34
Screw	M 4x8 DIN 86	1		35
Silencer clip	16 71 02 008	1	} 100 501 / 107 394 → → 103 080 / 109 872 105 061 / 112 073 →	36
Bolt	AM 6x18 DIN 86	1		37
Spring ring	A 6 DIN 127	1		38
Nut	M 6 DIN 934	1		39
Clip	16 71 00 006	1		40
Bolt	M 5x18 DIN 933	1		41
Spring washer	A 5 DIN 137	2		42
Nut	M 5 DIN 934	1		43
Spring washer	B 6 DIN 137	2		44
Bolt	M 6x12 DIN 933	1		45

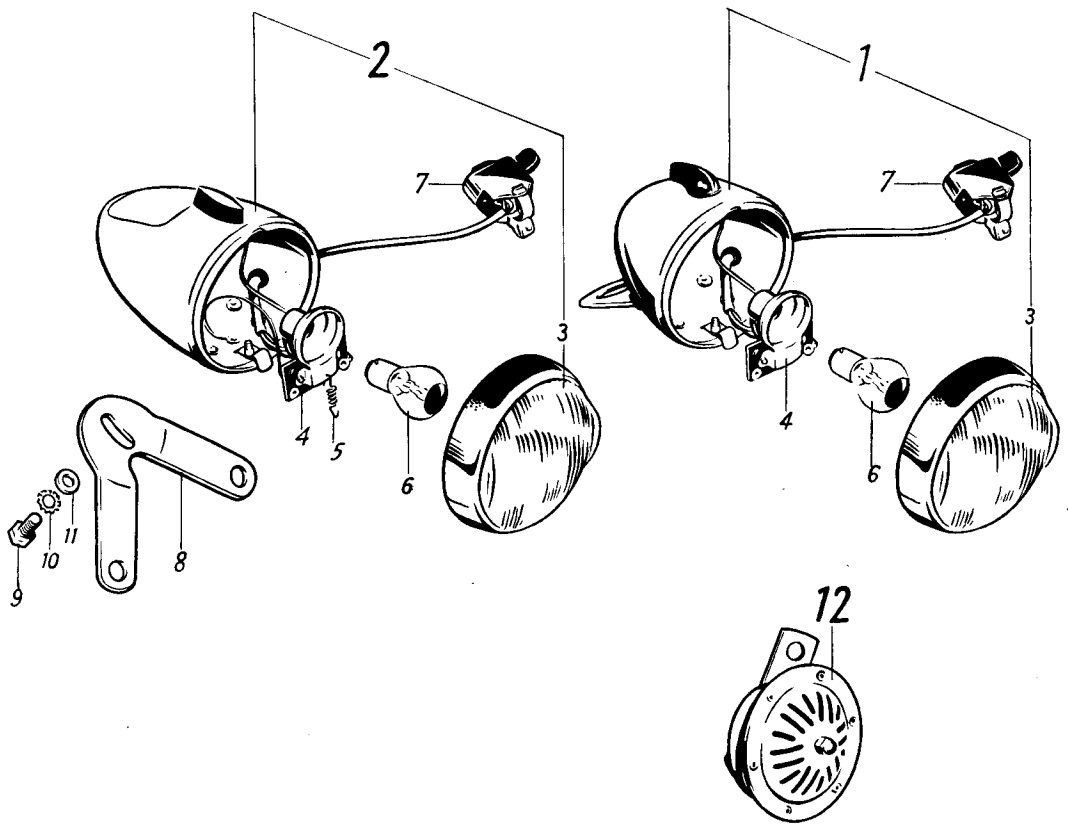


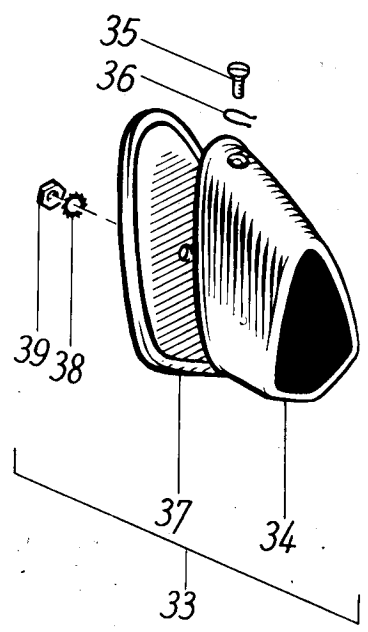
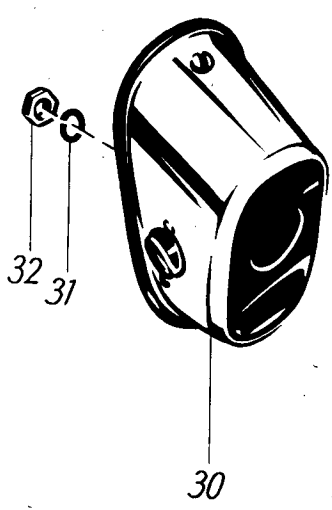
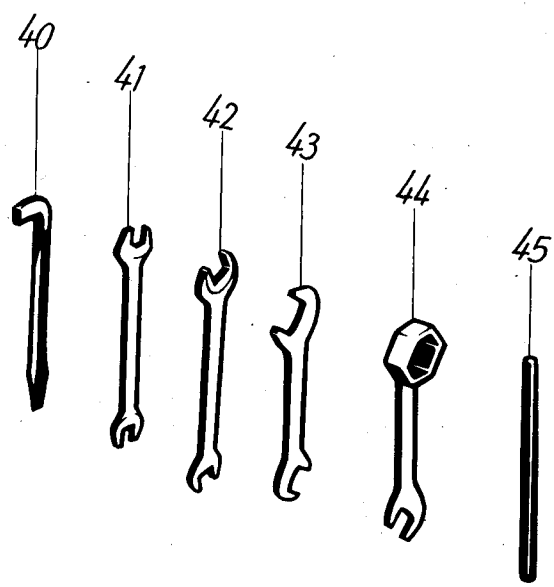
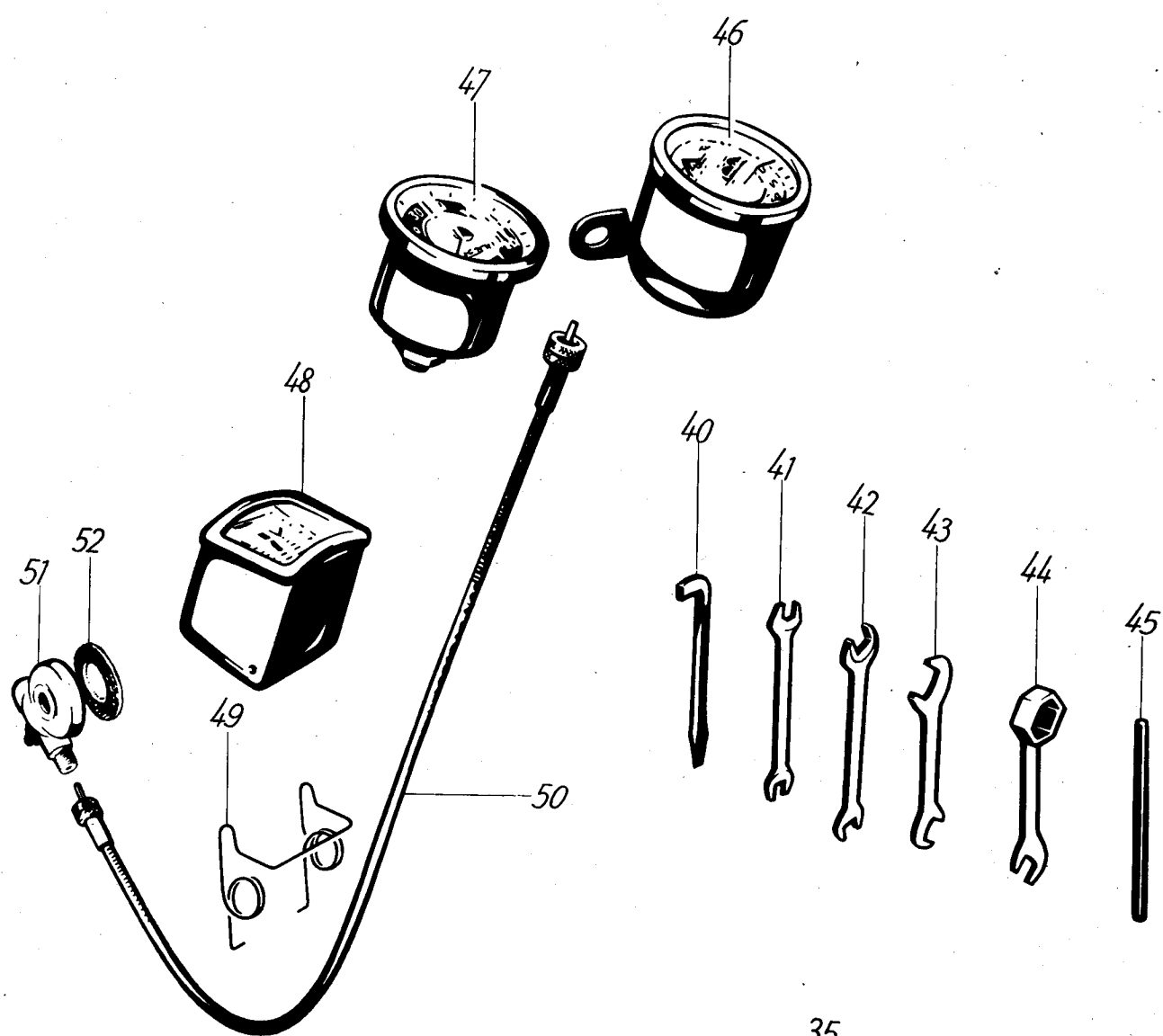




Description	Order-No.	Quantity	Remarks	Illustr.-No.
<b>QUICKLY N-S</b>				
<b>Fuel tank</b>	16 72 00 501	1	3,1 l } not supplied, order 16 72 00 508 and strap 16 72 01 003	—
<b>Fuel tank</b>	16 72 00 508	1	4,45 l state colour	1
Emblem	16 72 01 035	2		—
Transfer, left (NSU)	16 72 00 023	1		—
Transfer, right (NSU)	16 72 00 022	1		—
Transfer (2-stroke mixture)	073 772 030	1		—
Rubber strip	16 72 00 032	2	for vehicles with leg shield	—
Filler cap	16 72 01 504	1		2
Gasket	16 72 00 024	—		3
<b>Fuel tap</b>	16 72 01 505	1		4
Strainer	16 72 00 905	1		5
Gasket	16 72 00 903	1		—
Nut	16 72 00 904	1		6
Gasket	16 72 00 901	1		7
Connector	16 72 00 900	1		8
Cap nut	16 72 00 902	1		9
Hose	033 109 155	1	L = 9x200 mm	10
Sleeve	023 104 269	1		11
<b>Fuel tank attachment fittings</b>				
Rubber block	16 72 00 004	2		12
Strap	16 72 00 003	1	for 3,1 l fuel tank	—
Strap	16 72 01 003	1	for 4,45 l fuel tank	13
Pad	16 72 01 007	1		14
Pin rear	16 72 00 010	1		15
Forked pin	—	—	} s. page 33, Illustr. No. 6,7	—
Rivet	—	—		—
Pin, front	16 72 00 019	1		16
Bolt	M 5x60 DIN 931	1	for 3,1 l fuel tank } for 4,45 l fuel tank } 360 030 / 380 173 →	—
Bolt	16 72 00 033	1		—
Lock washer	A 5,3 DIN 6798	1		18
Nut	16 72 00 008	1		19

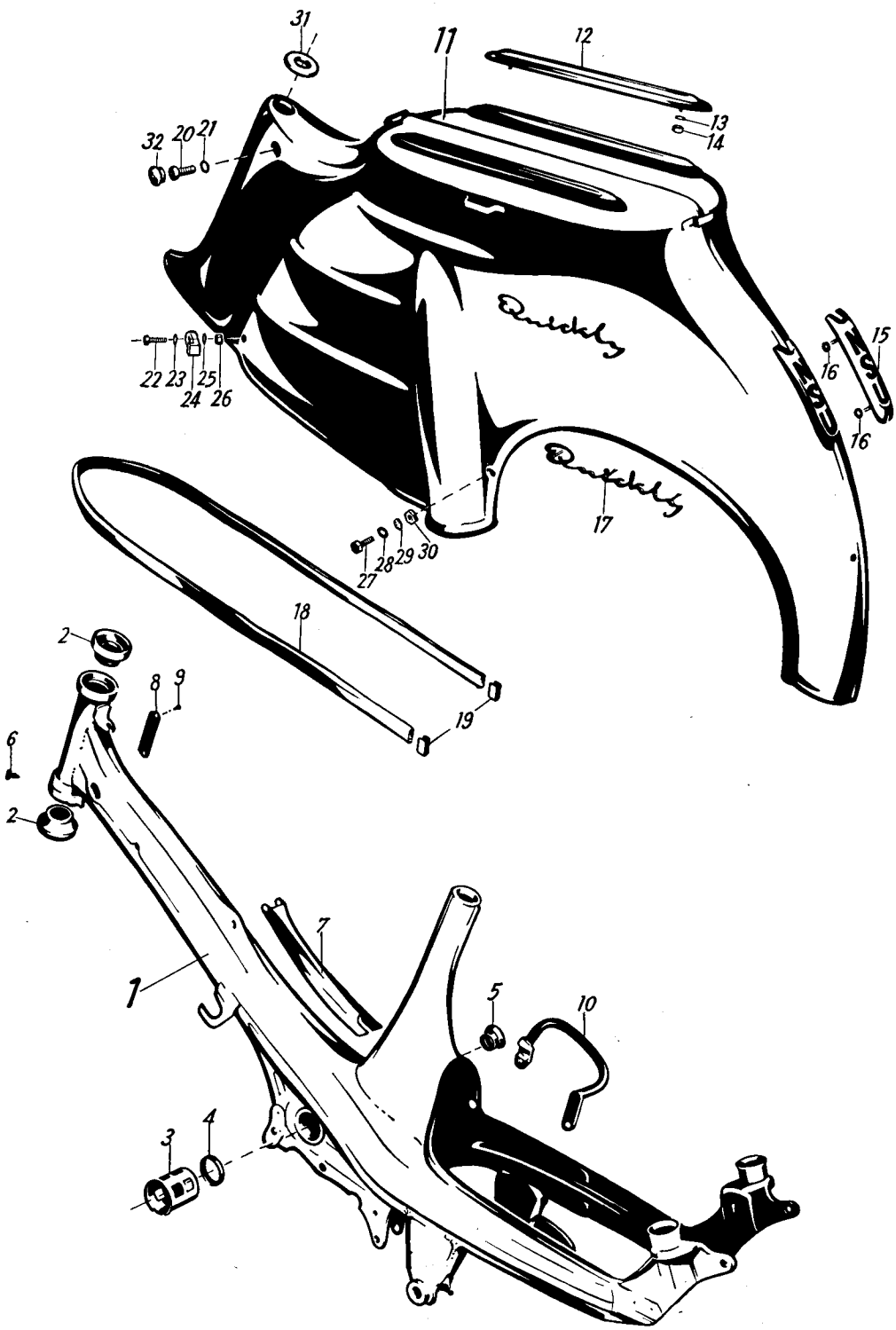
Description	Order-No.	Quantity	Remarks	Illustr.-No.
<b>QUICKLY</b>				
<b>N-S</b>				
	1 2 3			
Head lamp	16 81 00 513	1	→ 281 717 / 299 049 not supplied, order 16 81 01 516	1
Head lamp	16 81 01 516	1	281 718 / 299 050 →	2
Adaptor	16 81 00 913	1		3
Rim	16 81 01 914	1		—
Lens	16 81 52 915	1		—
Gasket	16 81 00 917	1		—
Reflector	16 81 00 916	1		—
Spring	16 81 51 918	3		—
Socket	16 81 00 925	1		4
Spring	16 81 00 919	1		5
Bulb	16 81 00 514	1	6 V 15/15 W	6
Switch lever	16 81 00 905	1	→ 281 717 / 299 049	—
Switch lever	16 81 01 905	1	281 718 / 299 050 →	—
Contact plate	16 81 00 920	1		—
Contact plate	16 81 01 920	1		—
Contact bridge	16 81 00 906	1	L = 32 mm	—
Contact bridge	16 81 01 906	1	L = 26 mm	—
Spring	16 81 01 907	1		—
Washer	16 81 00 908	1		—
Split pin	1x12 DIN 94	1		—
Angle	16 81 00 910	1		—
Spg. washer	A 4 DIN 137	1		—
Knurled screw	16 81 00 911	1		—
Rubber sleeve	16 81 00 912	2		—
Rubber sleeve	16 81 00 934	1	} 281 718 / 299 050 →	—
Dummy cover	16 81 00 931	1		—
Dipswitch	16 81 00 904	1		7
Fixing clip	16 81 00 927	1		—
Lead	16 81 00 903	1		—
Bracket for head lamp	16 81 00 928	1	281 718 / 299 050 →	8
Washer	16 43 00 049	2	577 253 / 618 588 →	—
Screw	M 8x10 DIN 933	1	} 281 718 / 299 050 →	9
Lock washer	A 8,4 DIN 6798	1		10
Washer	8,4 DIN 433	1		11
Rattle	16 81 00 506	1		12
Lead	16 81 00 003	1	L = 250 mm	—

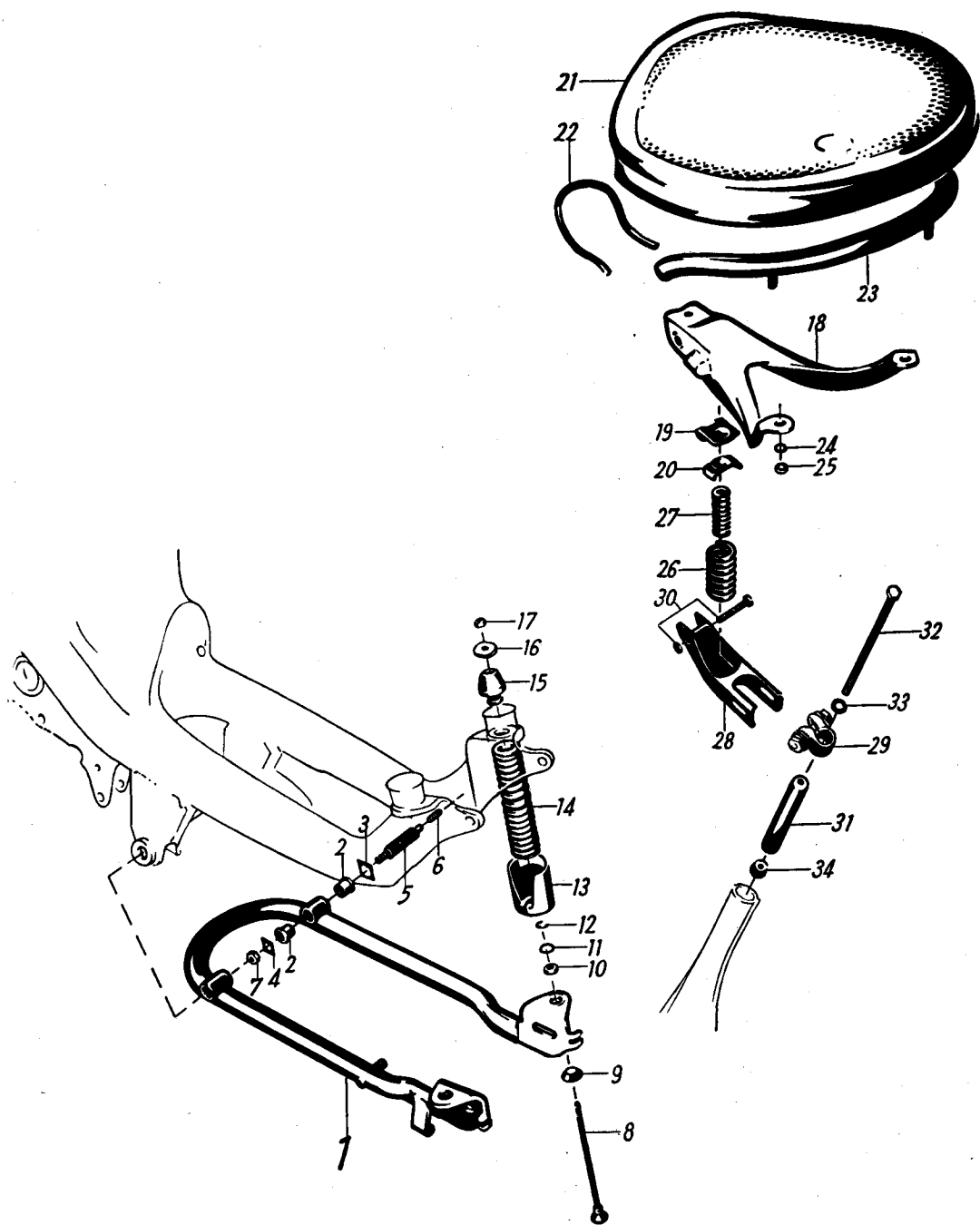




Description	Order-No.	Quantity	Remarks	Illustr.-No.
<b>QUICKLY N-S</b>				
<b>Tail lamp</b> (on numberplate)	16 81 00 512	1		—
<b>Tail lamp</b> (on mudguard)	16 81 00 508	1	Eire	33
Terminal screw	16 81 50 932	1		—
Screw for cap	16 81 50 900	1		35
Rubber plate	16 81 02 002	1		37
Lock washer	A 5,3 DIN 6798	1		38
Nut	M 5 DIN 934	1		39
Bulb	16 81 00 929	1	6 V 2,7 W	—
<b>Cable harness</b>	16 81 00 517	1	{ Engine-Headlamp L = 1070 mm Headlamp-Tail lamp L = 2000 mm	—
Protective sleeve	16 81 00 006	1	L = 400 mm	—
Tool box	—	—	s. page 37, Illustr. No. 4	—
<b>Tools</b>	16 91 00 900	1		—
Screwdriver	16 91 00 003	1		40
Spanner	11 91 00 600	1	8x9 mm	41
Spanner	11 91 00 601	1	10x11 mm	42
Spanner	16 91 00 004	1		43
Plug spanner	16 91 00 002	1		44
Tommy bar	16 91 00 005	1	7 mm Ø L = 118 mm	45
<b>Speedometer head M. P. H.</b>	16 92 00 505	1	80 700/86 472 → → 281 717/299 049 { for vehicles prior to 80 700/86 472 oder also handlebar support 16 41 01 046 2 Screws 8x45 DIN 931 and 4 Lock washers A 8,4 DIN 6798	47
<b>Speedometer head M. P. H.</b>	16 92 02 505	1	281 718/299 050 →	48
Bracket	16 92 00 001	1		49
Flexible drive	16 92 02 502	1		50
Speedometer drive	16 92 00 503	1	→ 482 754/522 989	—
Speedometer drive	16 92 01 503	1	482 755/522 990 →	51
Felt washer for speedometer drive	16 92 00 905	1		52

Description	Order-No.	Quantity	Remarks	Illustr.-No.
			<b>QUICKLY-L</b>	
			{ in earlier vehicles than 548 011/593 741 Mudguard	
			16 31 00 532,	
			2 Bolts 4x8 DIN 85	
			2 washers 4,3 DIN 125, 2 Spg.	
			washers A 4 DIN 137 and 2 Nuts	
			M 4 DIN 934 should be ordered with this part	
			→ 651 958 / 701 432	
<b>Frame</b>	16 31 01 901	1		1
Head race	023 103 927	2		2
Filter body	16 31 00 019	1		3
Seal ring	16 31 00 070	1		4
Socket	16 31 00 020	1		5
Rubber plug	16 31 00 038	2		6
Maskin	16 31 00 073	1		7
Name plate	16 31 00 900	1	{ not supplied without stamped number	8
Grooved stud	2x3 DIN 1476	2		9
Handle	16 93 02 007	1		10
<b>Frame back part</b>	16 31 00 530	1		11
<b>Frame back part</b>	16 31 00 531	1	for Eire	—
Luggage strip	16 31 00 516	2		12
Spring washer	B 4 DIN 137	8		13
Nut	M 4 DIN 934	4		14
Medal	16 31 00 066	1		15
Distanc rubber	16 41 00 087	8	{ 2 for Medal	16
Name plate „Quickly“	16 31 00 071	2	2 for Name plate	17
<b>Mudguard</b>	16 31 00 532	1		—
Screw	4x8 DIN 85	2		—
Washer	4,3 DIN 125	2		—
Spring washer	A 4 DIN 137	2		—
Nut	M 4 DIN 934	2		—
Bracket, top	16 31 00 086	1		—
Bracket, bottom	16 31 00 087	1		—
Bolt	M 5x10 DIN 85	4		—
Spring ring	B 5 DIN 127	4		—
Nut	M 5 DIN 934	4		—
Bracket	16 31 00 086	1		—
Screw	M 5x10 DIN 85	2		—
Spring ring	B 5 DIN 127	2		—
Nut	M 5 DIN 934	2		—
Rubber moulding	16 31 00 058	1		18
Clamp	16 31 00 078	2		19
Screw	16 31 00 062	1		20
Spring washer	B 7 DIN 137	1		21
Bolt	AM 6x20 DIN 85	2		22
Washer	16 31 00 091	2		23
Distance piece	16 31 00 061	2		24
Spring washer	B 6 DIN 137	2		25
Nut	M 6 DIN 985	2		26
Bolt	M 6x16 DIN 933	2		27
Washer	6,4 DIN 125	2		28
Lock washer	A 6,4 DIN 6798	2		29
Nut	M 6 DIN 934	2		30
Seal ring	16 31 00 076	1	18x36x5 mm	31
Plug	16 31 00 079	1		32
Strap for luggage carrier	—	—	s. page 68, Illustr. No. 41	—
Number plate rear	16 34 00 019	1		—
Bolt	M 5x10 DIN 85	1		—
Bolt	M 5x8 DIN 85	1		—
Spring washer	A 5 DIN 137	4		—
Nut	M 5 DIN 934	1		—
Nut	16 52 00 045	1		—
Number plate rear	083 834 017	1		—
Spacer bush	16 31 00 089	1		—
Bolt	M 5x15 DIN 85	1		—
Bolt	M 5x10 DIN 85	1		—
Spring washer	A 5 DIN 137	4		—
Nut	M 5 DIN 934	2		—

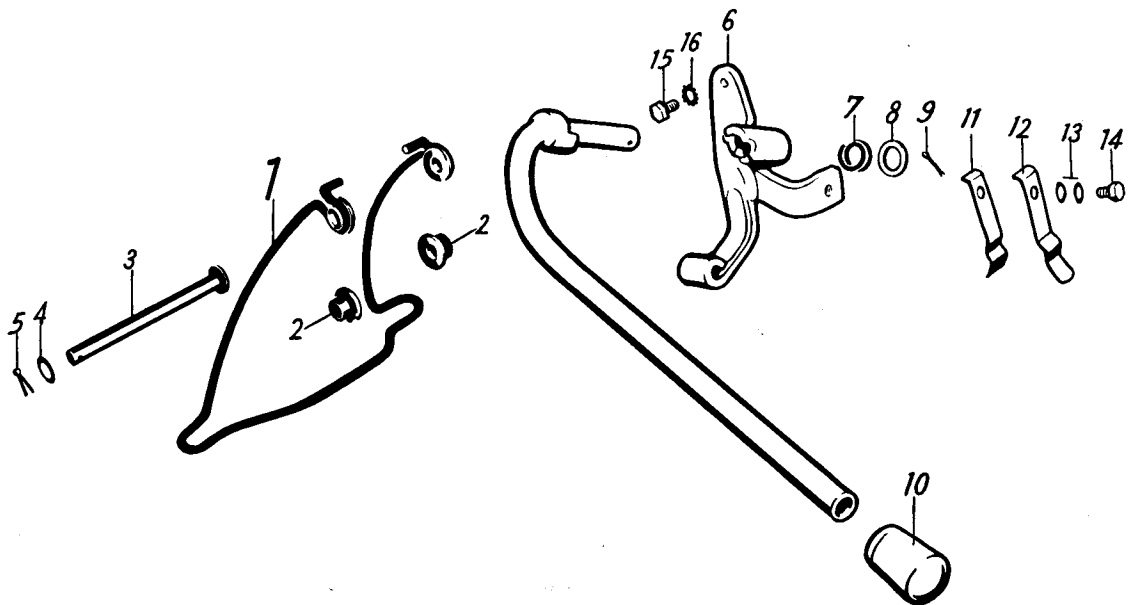
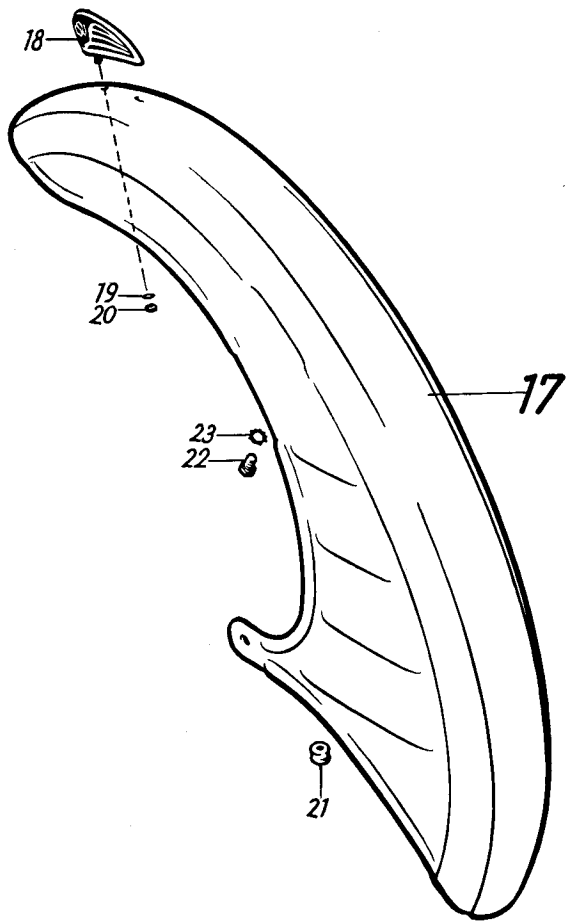




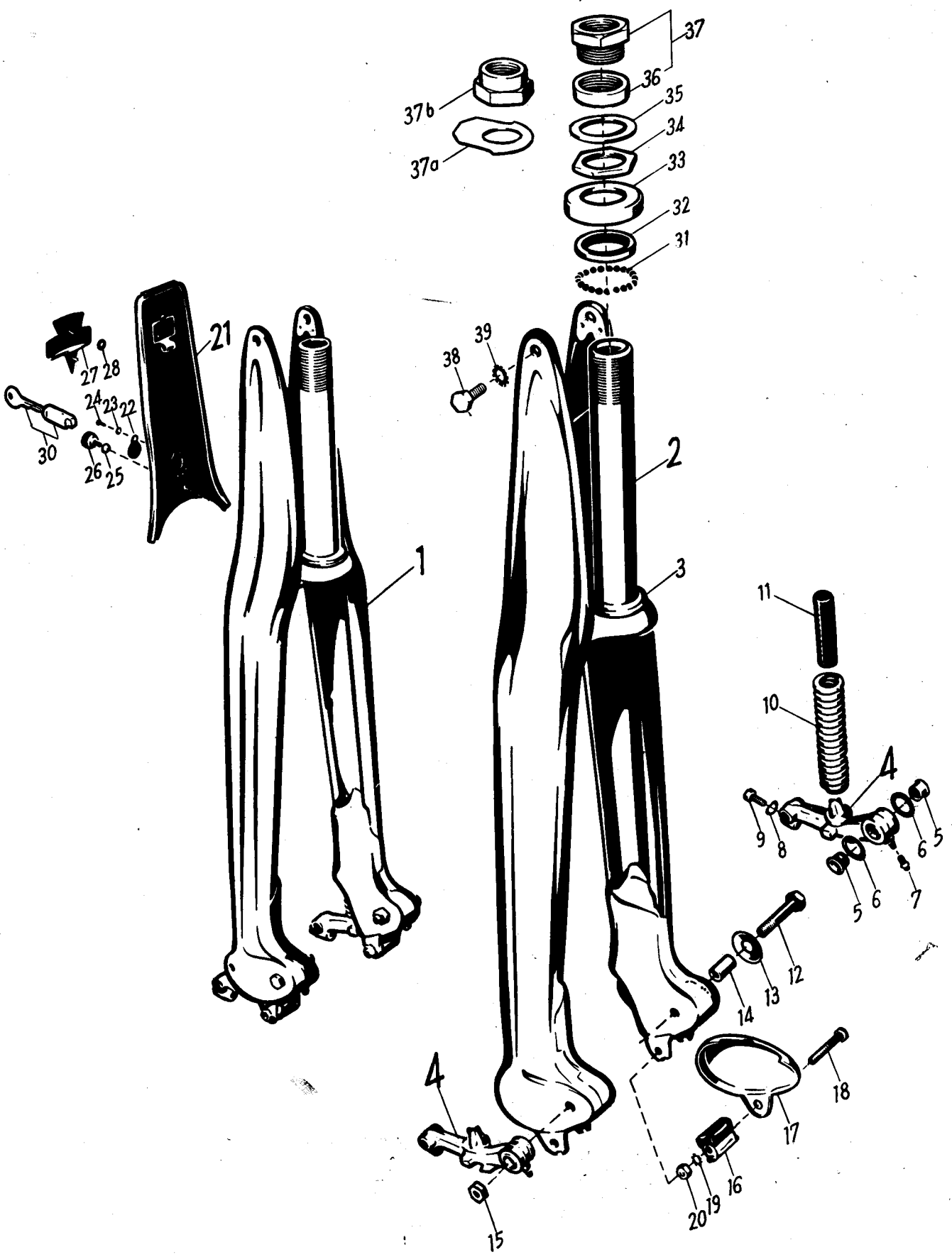


Description	Order-No.	Quantity	Remarks	Illustr.-No.
<b>QUICKLY-L</b>				
	1 2			
<b>Swinging fork</b>	16 32 00 502	1	} 676 332 / 721 207 → Collar 1,4 mm	1
Bush	16 32 00 008	4		2
Shim	16 32 00 016	as req.	} → 676 331 / 721 206	3
Shim	16 32 00 017	as req.		4
Bolt	16 32 00 504	2		5
Grease nipple	D 6 DIN 3402	2		6
Nut	16 41 00 050	2		7
Rod	16 32 00 506	2		8
Slide	16 32 00 027	2		9
Spring washer	16 32 00 030	2		10
Spring washer	16 32 00 022	2		11
Circlip	7 DIN 6799	2		12
Cap for spring, left	16 32 00 012	1		—
Cap for spring, right	16 32 00 019	1		13
Spring	16 41 04 010	2		14
Shock absorber	16 32 00 509	2		15
Threaded washer	16 32 00 029	2		16
Nut	M 5 DIN 934	2		17
<b>Saddle</b>	16 38 02 501	1		—
Saddle top	16 38 01 913	1		18
Adjuster w/washers	16 38 00 907	1		—
Guide	16 38 01 906	1		19
Spring seal	16 38 00 911	1		20
Cover	16 38 01 905	1		21
Tension bracket	16 38 00 917	1		22
Bracket	16 38 01 914	2		23
Lock washer	A 7,4 DIN 6798	2		24
Nut	BM 7 DIN 439	2		25
Saddle spring, outer	16 38 00 902	1		26
Saddle spring, inner	16 38 00 903	1		27
Saddle base	16 38 01 915	1		28
Clip, compl.	16 38 01 904	1		29
Bolt and Nut	16 38 00 916	1		30
<b>Seat tube</b>	16 38 00 901	1		—
Seat tube	16 38 01 019	1	not supplied	31
Clamp bolt	534 080 054	1		32
Washer	8,4 DIN 125	1		33
Nut	534 080 055	1		34

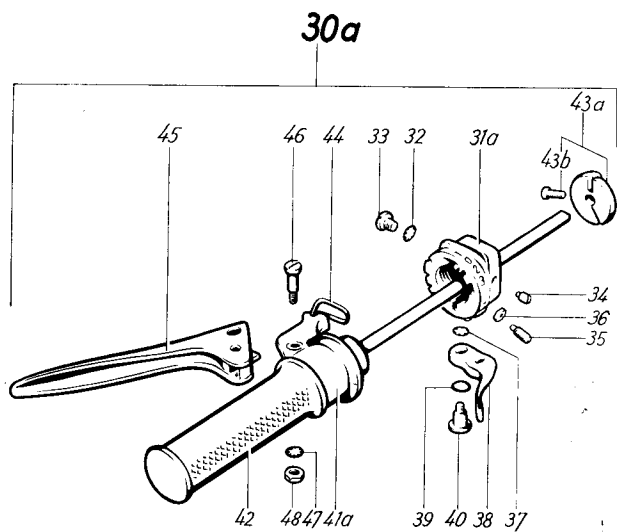
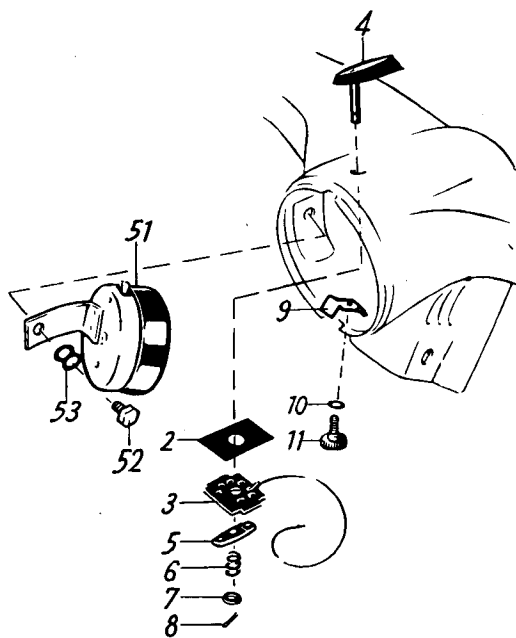
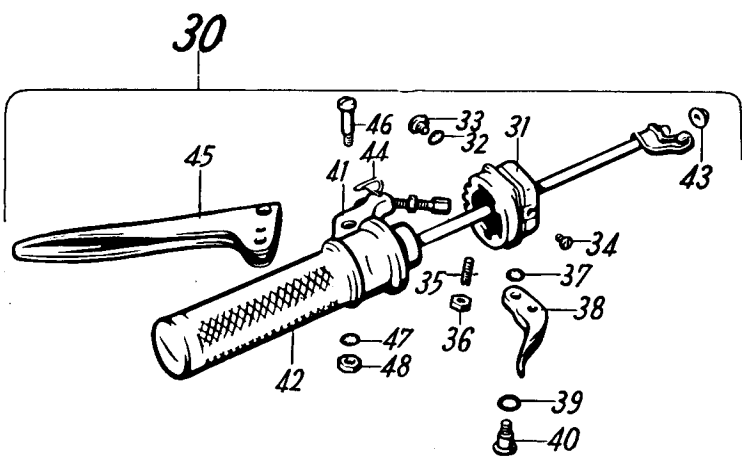
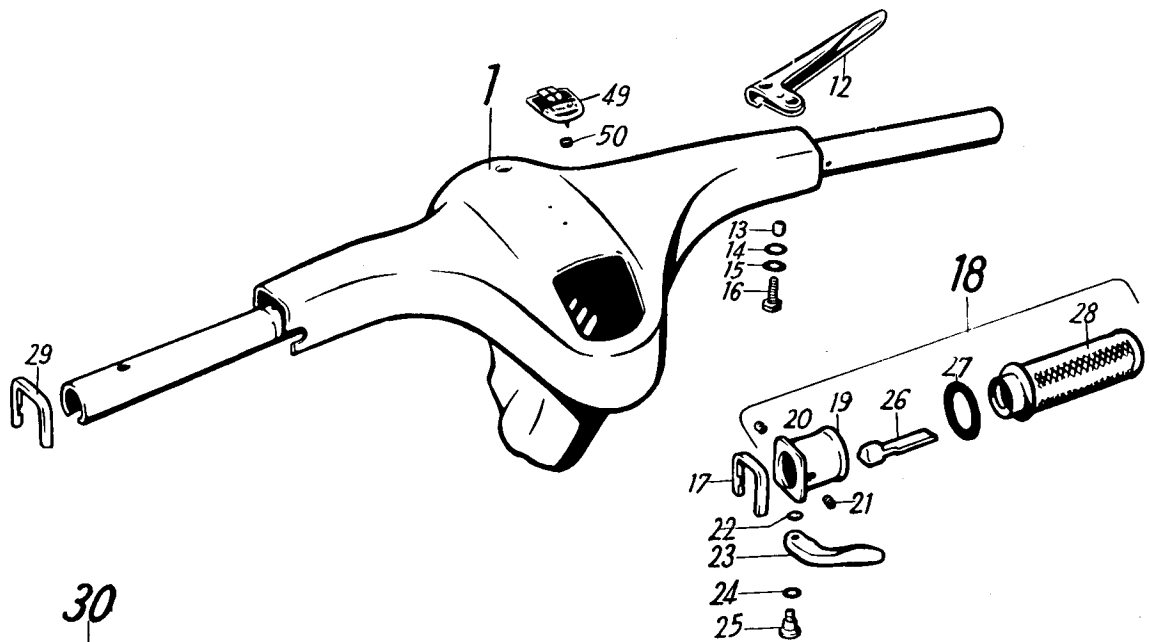
Description	Order-No.	Quantity	Remarks	Illustr.-No.
<b>QUICKLY-L</b>				
<b>Stand</b>	16 35 01 503	1		1
Bush	16 35 00 013	2		2
Tube	16 35 01 504	1		3
Washer	16 35 00 010	1		4
Split pin	3x18 DIN 94	1		5
<b>Side support</b>	16 93 01 509	1		—
Shell case	16 93 01 507	1		6
Double spring washer	16 93 00 042	1		7
Washer	16 93 00 045	1		8
Split pin	3x22 DIN 94	1		9
Rubber plug	16 93 00 044	1		10
Bolt for fastening	16 93 00 058	1		—
Spring, front	16 93 00 059	1		11
Spring, rear	16 93 00 060	1		12
Spring washer	B 6 DIN 137	2		13
Screw	M 6x10 DIN 933	1		14
Screw	M 6x12 DIN 933	1		15
Lock washer	6,4 DIN 6798	1		16
<b>Front mudguard</b>	16 33 04 504	1		17
<b>Front mudguard</b>	16 33 03 505	1	for Eire	—
Bracket	123 109 912	2		—
Spring washer	A 6 DIN 137	4		—
Screw	M 6x6 DIN 933	2		—
<b>Number plate, front</b>	16 33 00 010	1		—
Screw	M 5x10 DIN 85	1		—
Spring washer	A 5 DIN 137	2		—
Nut	M 5 DIN 934	1		—
<b>Number plate, front</b>	028 104 762	1		—
Screw	M 5x10 DIN 85	2	} for Eire	—
Spring washer	A 5 DIN 137	4		—
Nut	M 5 DIN 934	2		—
NSU emblem	533 085 385	1		18
Spring washer	A 4 DIN 137	2		19
Nut	M 4 DIN 934	1		20
Rubber sleeve	16 93 00 057	2		21
Screw	M 6x12 DIN 933	1		22
Lock washer	A 6,4 DIN 6798	1		23

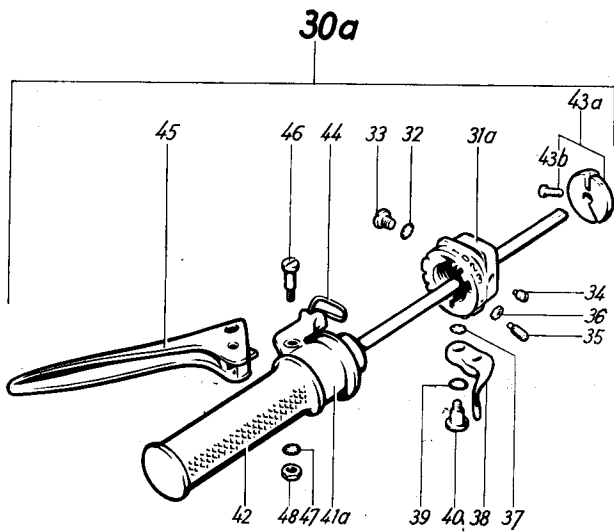
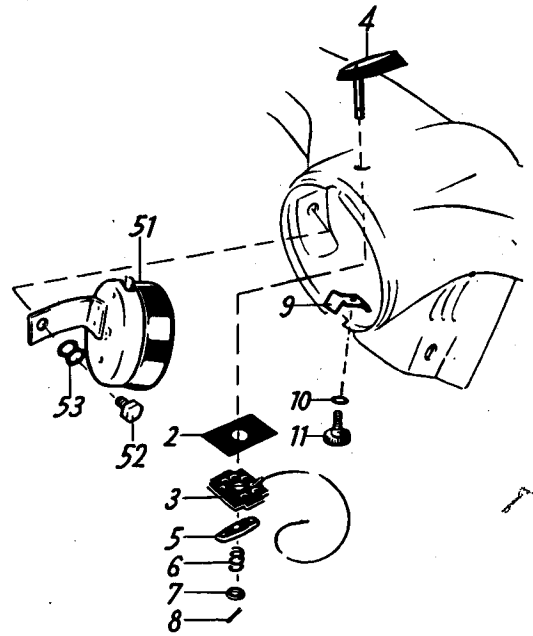
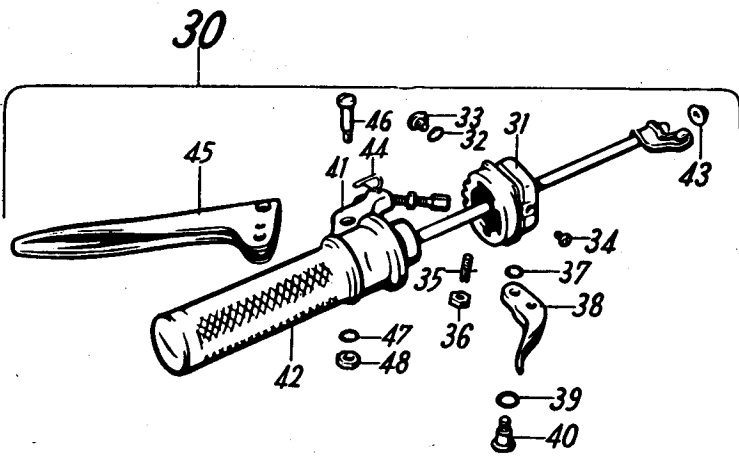
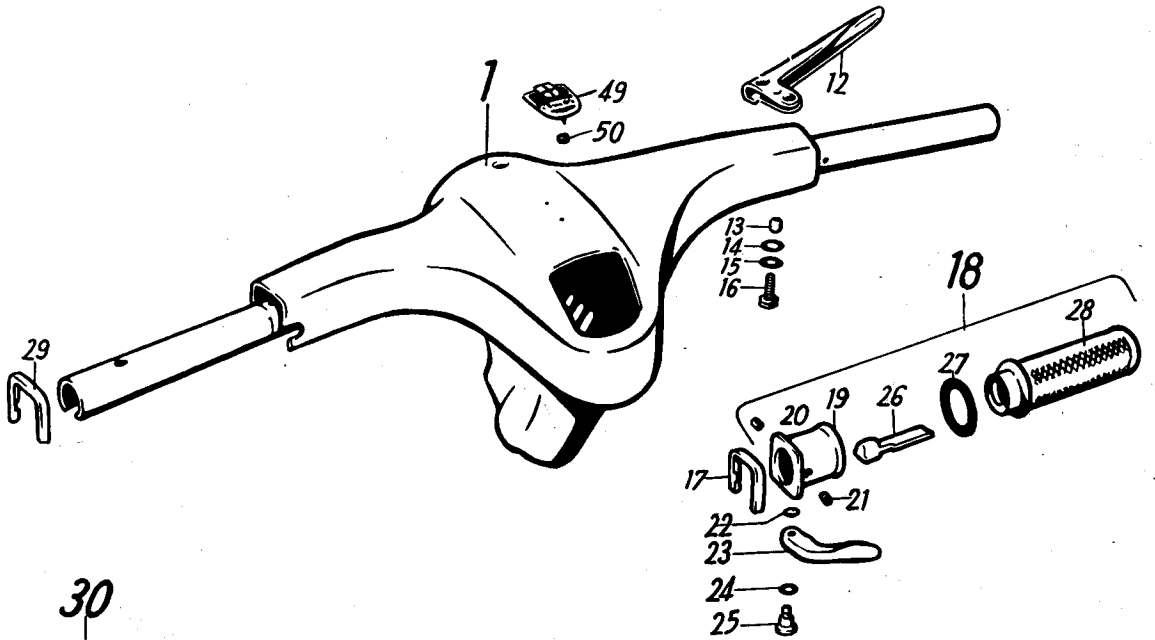


Description	Order-No.	Quantity	Remarks	Illustr.-No.
<b>QUICKLY-L</b>				
	1 2			
<b>Spring fork</b>	16 41 04 900	1		1
Spring fork	16 41 03 901	1		2
Cone	044 412 131	1		3
Swinging link	16 41 02 508	each 1		4
Bush	16 41 01 056	each 2		5
Cap, inner	16 41 00 081	each 2		6
Grease nipple	D 6 DIN 3402	each 1		7
Spring washer	A 8 DIN 137	2		8
Screw	16 41 00 045	2		9
Spring	16 41 04 010	2		10
Rubber plug	16 41 01 088	2		11
Bolt	16 41 00 054	2	8 mm diam	12
Cap outer	16 41 00 080	each 2		13
Bush	16 41 00 055	2	8x12x19 mm	14
Nut	16 41 00 050	2		15
Stop	16 41 00 515	2		16
Cover plate, left	16 41 00 089	1		—
Cover plate, right	16 41 00 090	1		17
Bolt	M 6x36 DIN 931	2		18
Lock washer	11 53 00 002	2		19
Nut	M 6 DIN 934	2		20
<b>Cover for tool box</b>	16 73 01 901	1		21
Escutcheon	16 41 00 064	1		22
Spring washer	A 3 DIN 137	1		23
Rivet	3x6 DIN 660	1		24
Spring washer	A 5 DIN 137	1		25
Knurled screw	16 73 00 004	1		26
Name plate	16 41 00 083	1		27
Rubber spacer	16 41 00 087	1		28
Lock with key	16 41 00 513	1		30
<b>Parts for steering head bearing</b>				
Ball, top and bottom	024 049 962	each 21	5 mm diam	31
Cone, top	024 103 928	1		32
Cover	024 103 929	1		33
Nut	074 742 006	1		34
Washer	16 41 00 086	1		35
Threaded ring	16 41 00 091	1		36
Nut	16 41 00 516	1	} not supplied, order nut 16 41 02 048 and lockplate 16 43 00 047	37
Lock plate	16 43 00 047	1		37a
Nut	16 41 02 048	1		37b
Screw	M 8x18 DIN 933	2		38
Lock washer	A 8,4 DIN 6798	2		39



Description	Order-No.	Quantity	Remarks	Illustr.-No.
			<b>QUICKLY-L</b>	
	1 2 3 4 5			
<b>Handlebar assy</b>	16 43 00 515	1	2 Gears	—
<b>Handlebar assy</b>	16 43 01 515	1	{ 3 gears alternatively with 2 gears 640 513 / 688 454 →	—
Handlebar	16 43 01 521	1		1
<b>Switch</b>	16 43 00 510	1		—
Insulating plate	16 81 00 933	1		2
Contact plate	16 81 02 924	1		3
Switch lever	16 81 02 905	1		4
Contact bridge	16 81 01 906	1		5
Spring	16 81 01 907	1		6
Washer	16 81 01 908	1		7
Split pin	1x12 DIN 94	1		8
Angle	16 43 00 003	1		9
Spring washer	A 4 DIN 137	1		10
Knurled screw	16 81 00 911	1		11
<b>Brake lever</b>	16 43 00 519	1		12
Bush	19 43 00 009	1		13
Washer	041 404 134	1		14
Cup spring	19 43 00 010	1		15
Screw	M 5x18 DIN 933	1		16
Rubber plate right-hand	19 43 00 020	1		17
<b>Throttle twistgrip</b>	16 43 00 522	1		—
Twistgrip housing	16 44 03 900	1		19
Stop screw	16 44 01 922	1		—
Nut	BM 5 DIN 439	1		—
Screw	074 743 606	1		20
Grup screw	11 44 00 910	1		21
Slider	024 106 412	1		26
Washer	16 44 01 921	1		27
Twistgrip sleeve	16 44 02 901	1		28
Rubber grip	16 44 02 904	1		—
Rubber plate left-hand	16 43 00 038	1		29

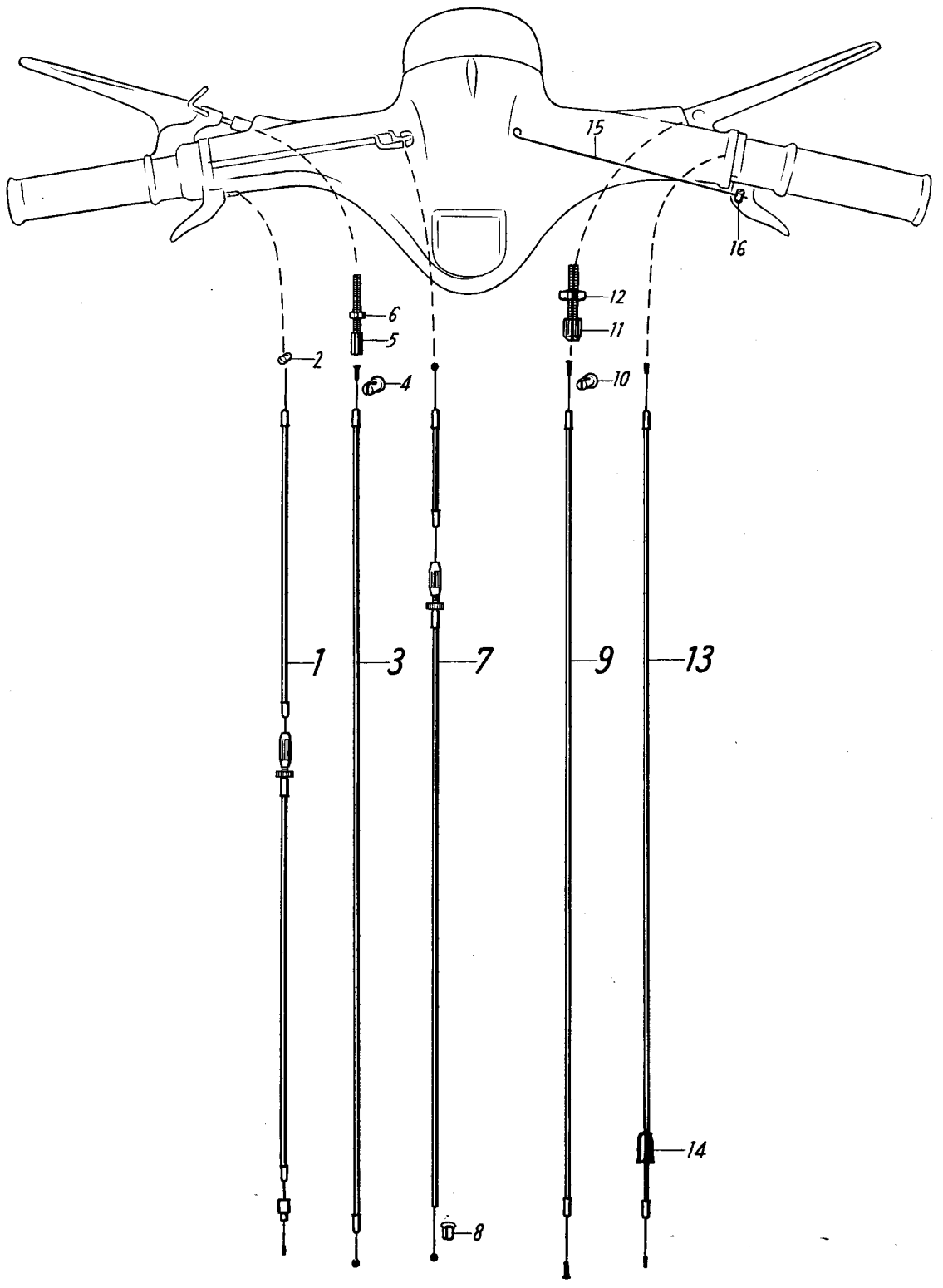


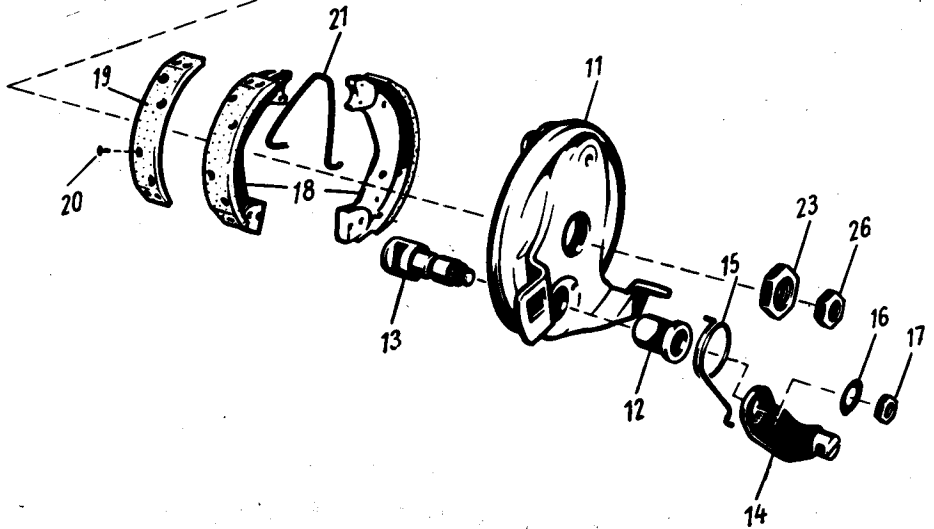
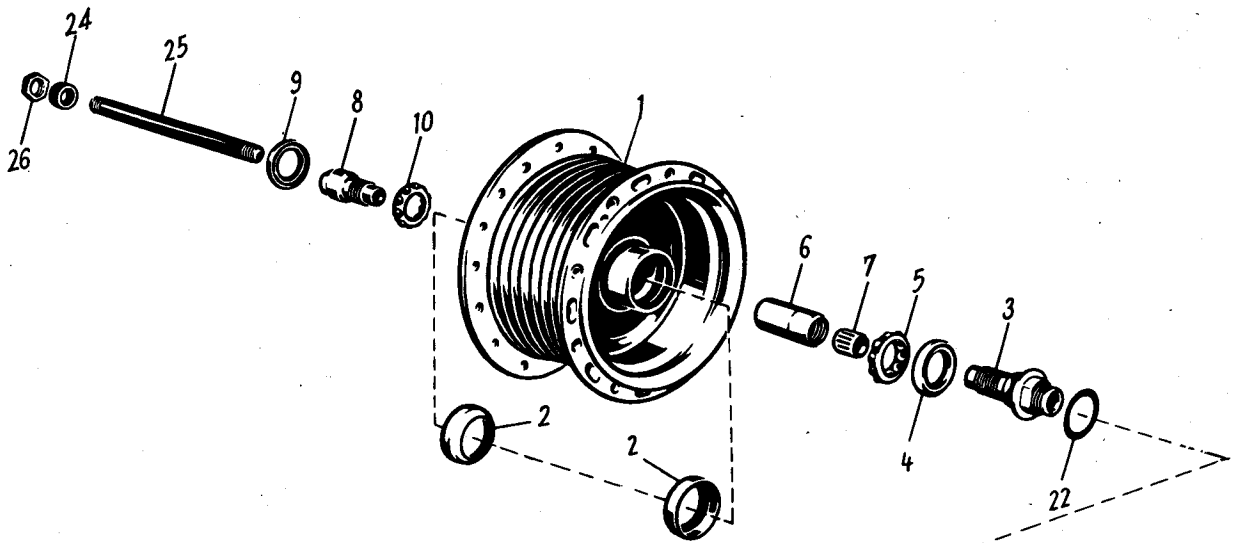




Description	Order-No.	Quantity	Remarks	Illustr.-No.
<b>QUICKLY-L</b>				
	1 2 3 4 5 6			
<b>Gear change twistgrip</b>	16 43 00 514	1	2 Gears	30
<b>Gear change twistgrip</b>	16 43 01 514	1	3 Gears	30a
Twistgrip housing	16 44 02 905	1		31
Twistgrip housing	16 44 03 905	1		31a
Lock washer	J 6,4 DIN 6797	1		32
Screw	AM 6x6 DIN 85	1		33
Screw	11 44 00 910	1		34
Screw	16 44 00 925	1		35
Nut	BM 5 DIN 439	1		36
Lock washer	J 5,3 DIN 6797	1		37
Lever	16 44 01 909	1		38
Spring washer	16 44 01 923	1		39
Screw	M 5x8 DIN 923	1		40
Twistgrip sleeve	16 44 02 906	1		41
Twistgrip sleeve	16 44 03 906	1		41a
Rubber grip	16 44 01 904	1		42
Bush	16 43 00 032	1		43
Spacer	16 44 00 926	1		43a
Screw	16 44 00 927	1		43b
Stirrup	16 44 00 910	1		44
Lever	16 44 01 907	1		45
Bolt	16 44 00 908	1		46
Lock washer	J 5,3 DIN 6797	1		47
Nut	M 5 DIN 934	1		48
Cover plate	16 43 00 035	1		49
Rubber spacer	16 41 00 087	2		50
<b>Rattle</b>	16 81 01 506	1		—
Lead	16 81 00 003	1	L = 250 mm	—
Screw	M 6x8 DIN 933	1		52
Spring washer	B 6 DIN 137	2		53
Cover for speedometer locating hole	16 43 00 520	1		—

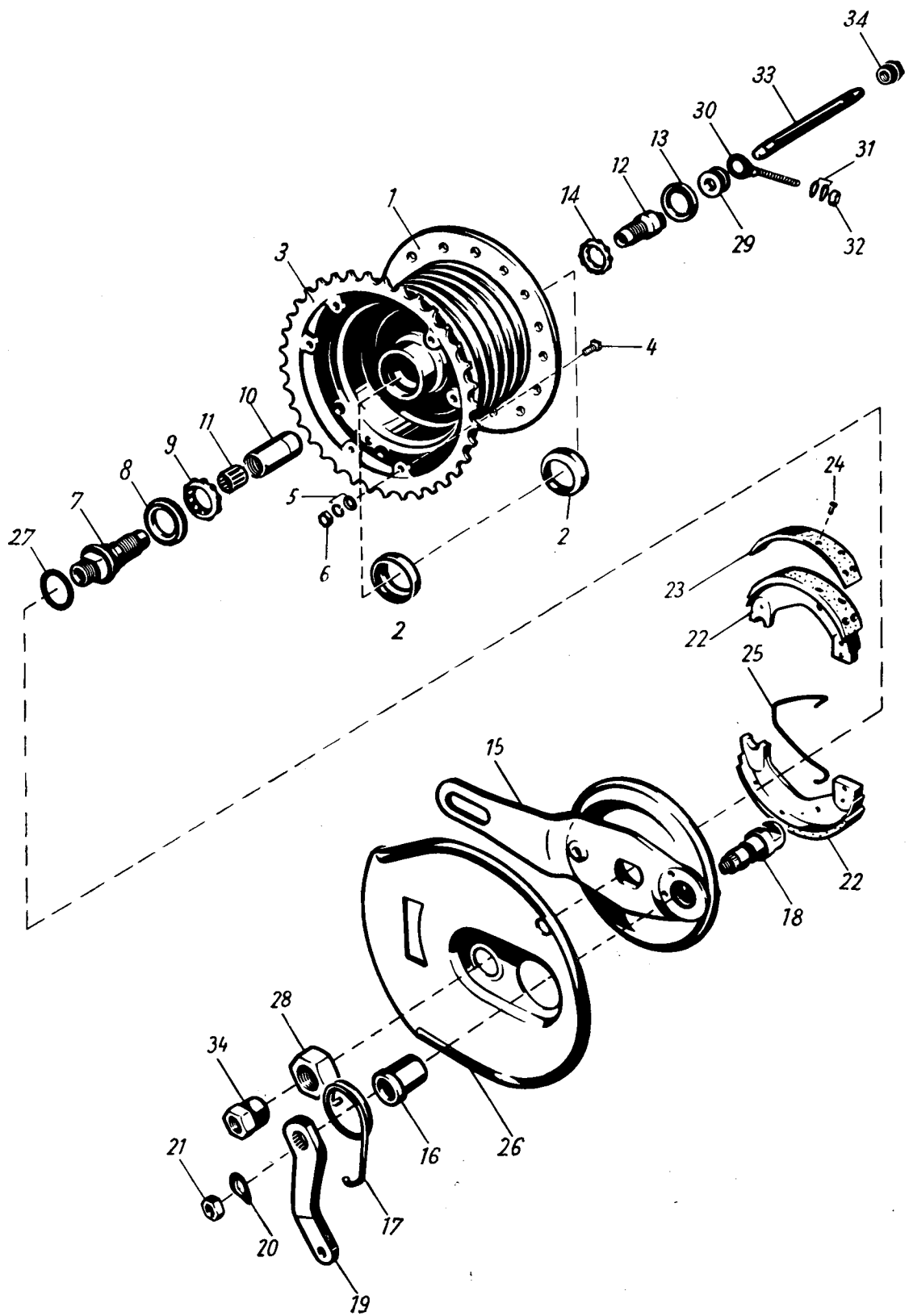
Description	Order-No.	Quantity	Remarks	Illustr.-No.
<b>QUICKLY-L</b>				
<b>Dekompressor cable</b>	16 44 02 504	1		1
Nipple	16 44 00 511	1		2
<b>Clutch cable</b>	16 44 01 502	1		3
Nipple seat	16 44 00 023	1		4
Cable adjuster	16 44 00 930	1		5
Nut	16 44 00 049	1		6
<b>Gear change cable</b>	16 44 03 503	1	} 2 Gears	7
Sleeve	16 44 01 002	1		8
<b>Gear change cable</b>	16 44 04 503	1	} 3 Gears	—
Nipple	16 44 00 056	2		—
<b>Front brake cable</b>	16 44 03 501	1		9
Nipple seat	16 44 00 023	1		10
Cable adjuster	19 44 00 014	1		11
Nut	19 44 00 013	1		12
Rubber sleeve	16 44 01 003	1	L = 48 mm	—
<b>Throttle cable</b>	16 44 02 509	1		13
<b>Throttle cable</b>	16 44 00 518	1	for starting carburettor	—
Rubber sleeve	16 44 00 025	1		14
Rubber cap	16 44 00 040	1	} s. page 43, Illustr. No. 17-20 L = 510 mm	—
Rubber sleeve	16 44 01 001	1		—
Protecting sleeve	16 44 00 039	1		—
Rubber sleeve	16 44 00 042	1		—
Rubber cable strap	16 44 00 041	2	2 Gears	} optional
Rubber cable strap	16 44 01 041	2	3 Gears	
<b>Rear brake cable</b>	—	—	s. page 65, Illustr. No. 1-8	—

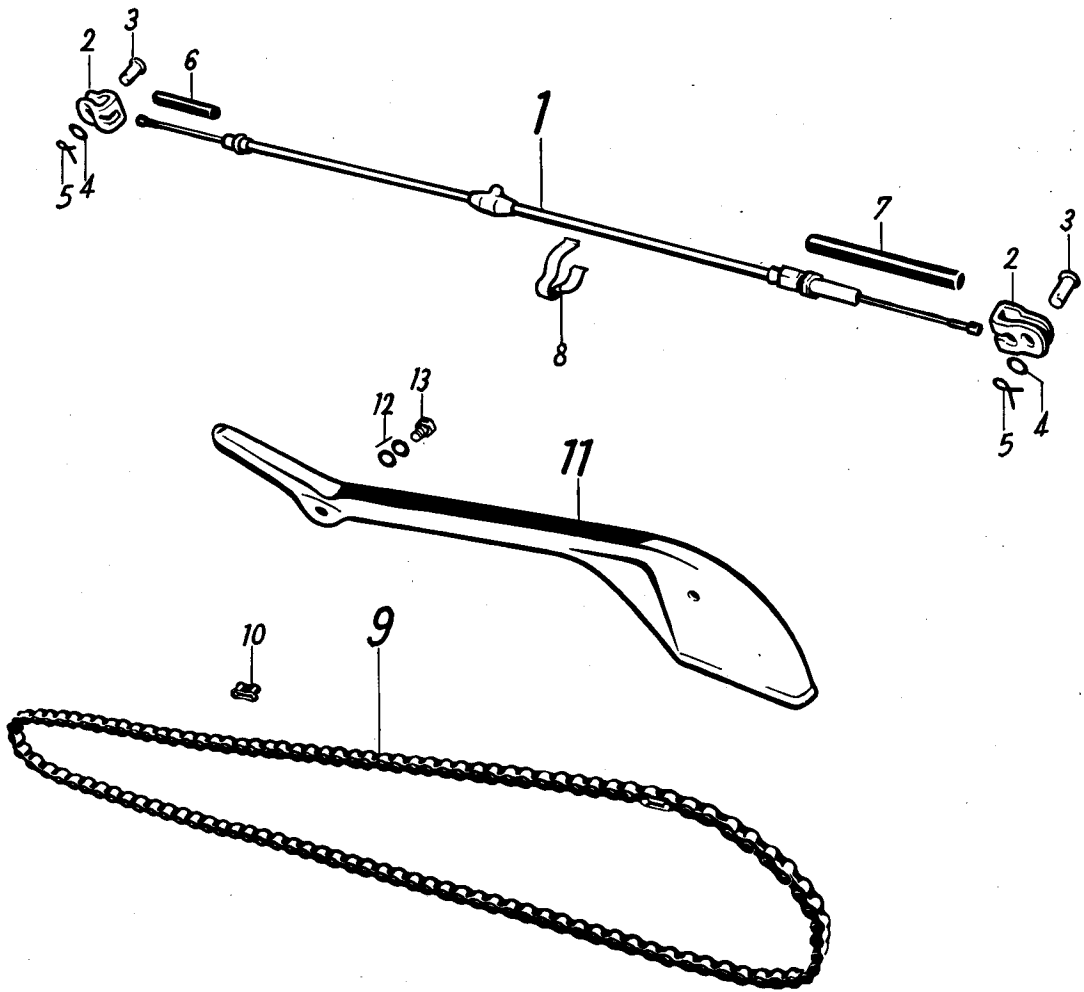




Description	Order-No.	Quantity	Remarks	Illustr.-No.
	1 2 3 4		<b>QUICKLY-L</b>	
<b>Front wheel</b>	16 51 02 517	1		—
Front wheel without brake	16 51 02 518	1		—
Rim (chrome)	16 52 00 036	1	chromium plated	—
Rim	16 52 00 038	1		—
Spoke	16 52 00 055	36	L = 233 mm	—
Nipple	075 751 603	36		—
<b>Front wheel hub</b>	16 51 04 507	1		—
Hub	16 51 03 900	1		1
Ball race	16 51 00 023	2		2
Cone	16 52 01 015	1		3
Seal ring	16 51 00 045	1	18x30,2x5 mm	4
Ball cage	16 51 00 044	1	1/4" diam	5
Spacer	16 52 02 017	1		6
Tolerance ring	16 52 00 037	1		7
Cone	16 52 01 016	1		8
Seal ring	16 51 00 045	1	18x30,2x5 mm	9
Ball cage	16 51 00 044	1	1/4" diam	10
<b>Front brake</b>	16 51 02 511	1		—
Brake plate	16 51 04 503	1		11
Bush	16 52 03 026	1	12x15x19 mm	12
Brake operating com	16 51 03 027	1		13
Brake lever	16 51 01 502	1		14
Spring	16 51 01 035	1		15
Spring washer	B 7 DIN 137	1		16
Nut	16 52 01 043	1		17
Brake shoe	16 51 02 509	1		18
Lining	16 52 01 034	2		19
Rivet	16 51 00 043	16		20
Spring	16 51 03 030	1		21
Shim	16 51 00 054	as req.	18,2x26x0,2; 0,3 mm	22
Shim	16 51 01 054	as req.	18,2x26x0,5 mm	—
Nut	16 51 00 025	1		23
Ring	16 51 02 017	1	10,2x15x9,2 mm	24
<b>Spindle</b>	16 51 02 028	1		25
Nut	16 51 00 036	2		26
Well filler	26—2.00	—	} not supplied	—
Inner tube	26—2.00	—		—
Tyre	26—2.00	—		—

Description	Order-No.	Quantity	Remarks	Illustr.-No.
<b>QUICKLY-L</b>				
	1 2 3 4			
Rear wheel	16 52 02 519	1		—
Rear wheel without brake	16 52 02 520	1		—
Rim (chrome)	16 52 00 036	1	chromium plated	—
Rim	16 52 00 038	1		—
Spoke	16 52 00 055	36	L = 233 mm	—
Nipple	075 751 601	36		—
<b>Rear wheel hub</b>	16 52 04 508	1		—
Hub	16 52 04 900	1		1
Ball race	16 51 00 023	2		2
Sprocket	16 52 03 005	1	36 No for teeth	3
Bolt	16 52 01 044	6		4
Spring ring	A 5 DIN 127	6		5
Nut	16 52 00 045	6		6
Cone	16 52 01 015	1		7
Seal ring	16 51 00 045	1	18x30,2x5 mm	8
Ball cage	16 51 00 044	1	1/4" diam	9
Spacer	16 52 02 017	1		10
Tolerance ring	16 52 00 037	1		11
Cone	16 52 01 016	1		12
Seal ring	16 51 00 045	1	18x30,2x5 mm	13
Ball cage	16 51 00 044	1	1/4" diam	14
<b>Rear brake</b>	16 52 03 509	1		—
Rear plate	16 52 02 518	1		15
Bush	16 52 03 026	1	12x15x19 mm	16
Spring	16 52 03 021	1		17
Brake operating cam	16 51 03 027	1		18
Brake lever	16 52 04 003	1		19
Spring washer	B 7 DIN 137	1		20
Nut	16 52 01 043	1		21
Brake shoe	16 51 02 509	2		22
Lining	16 52 01 034	2		23
Rivet	16 51 00 043	16		24
Spring	16 51 03 030	1		25
Cover	16 52 00 046	1		26
Shim	16 51 00 054	as req.	18,2x26x0,2; 0,3 mm	27
Shim	16 51 01 054	as req.	18,2x26x0,5 mm	—
Nut	16 52 00 049	1		28
Spacer	16 52 01 018	1	10,5 mm	29
Chain adjusting screw	16 52 00 011	2		30
Spring washer	B 6 DIN 137	2		31
Nut	M 6 DIN 934	2		32
Spindle	16 52 01 014	1		33
Nut	16 51 01 036	2		34
Well filler	26—2,00	—	} not supplied	—
Inner tube	26—2,00	—		—
Tyre	26—2,00	—		—

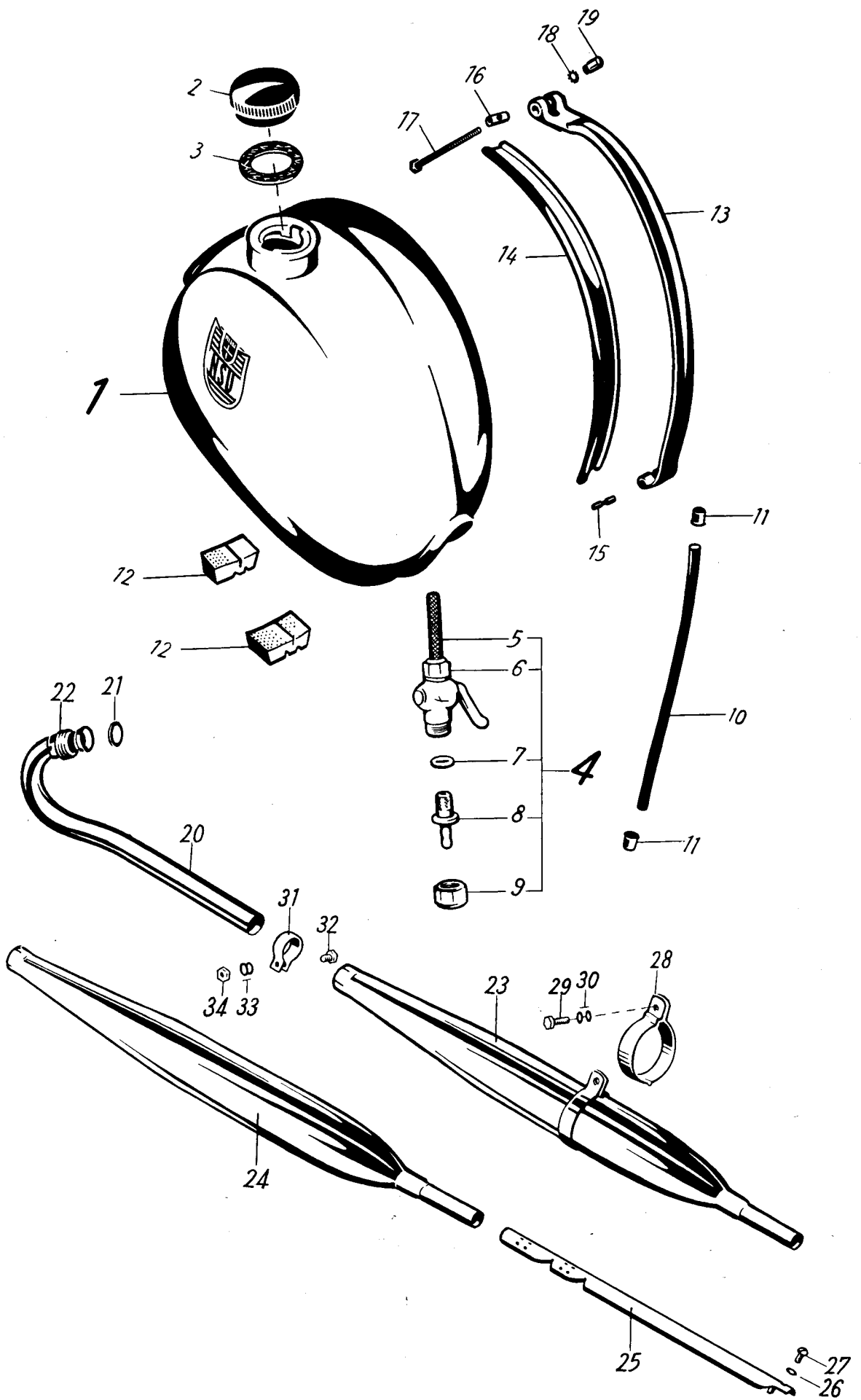


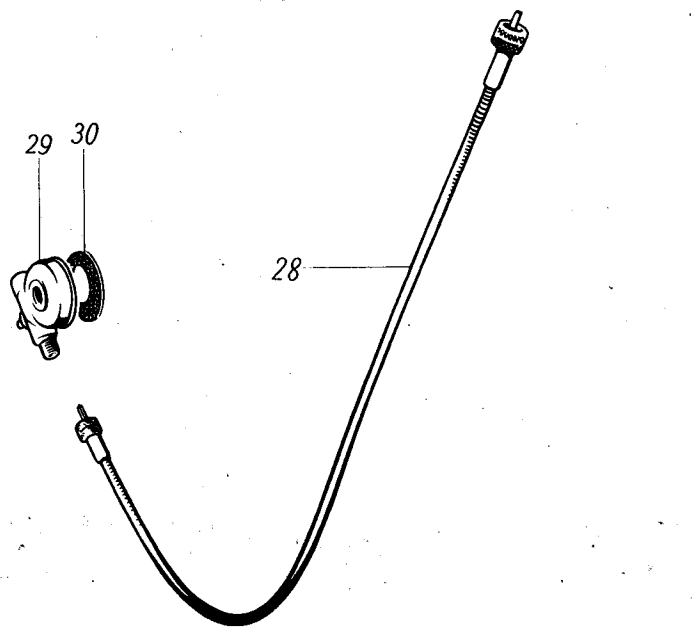
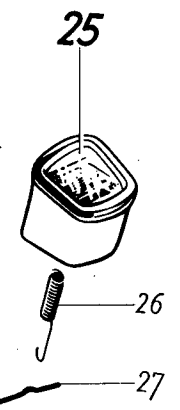
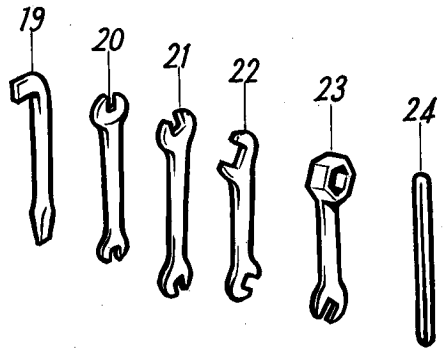
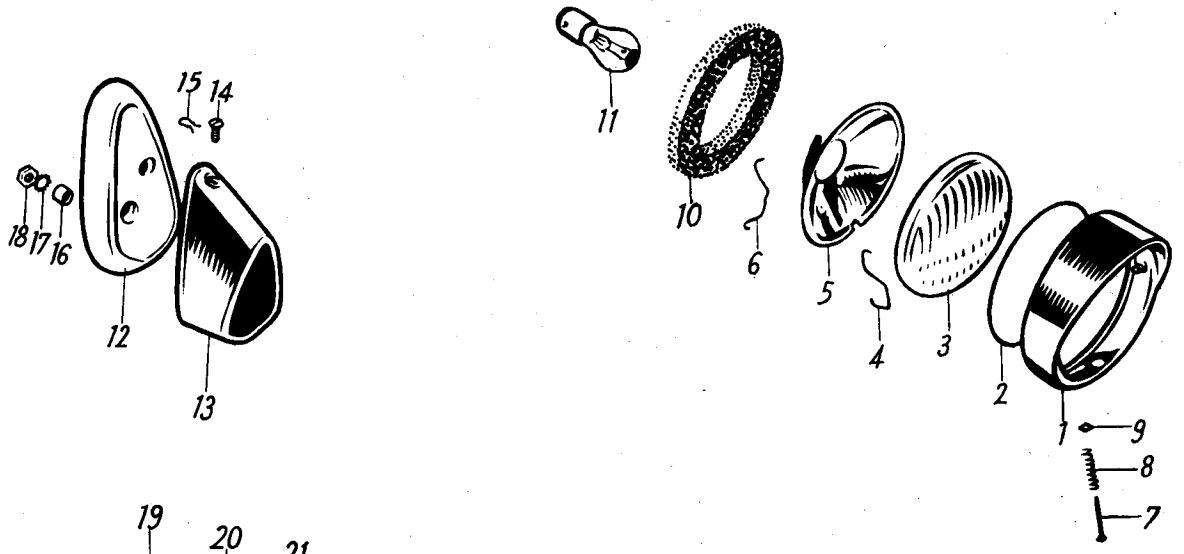




Description	Order-No.	Quantity	Remarks	Illustr.-No.
<b>QUICKLY-L</b>				
<b>Rear brake cable</b>	16 53 00 505	1		1
Clevis link	16 53 00 013	1		2
Bolt	16 53 00 010	2		3
Washer	11 53 00 002	2		4
Locking-spring	11 53 00 819	2		5
Hose, front	16 44 01 003	1		6
Hose rear	16 53 00 019	1		7
Clamp	59 252	1		8
<b>Chain</b>				
112 links	16 54 00 600	1	1 E 12,7x4,88 DIN 8180	9
Connecting link	16 54 01 601	1	1 E 12,7x4,88 DIN 8180	10
Cranked link double	16 54 00 603	1	1 C 12,7x4,88 DIN 8180	—
<b>Chain guard</b>	16 54 01 001	1		11
Spring washer	B 6 DIN 137	2		12
Screw	M 6x8 DIN 933	1		13

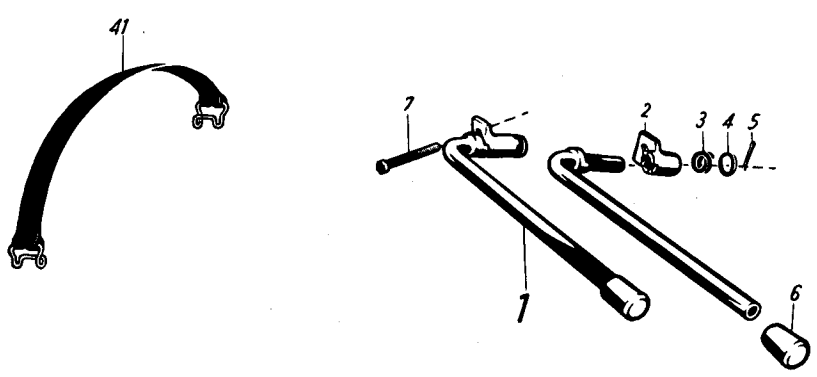
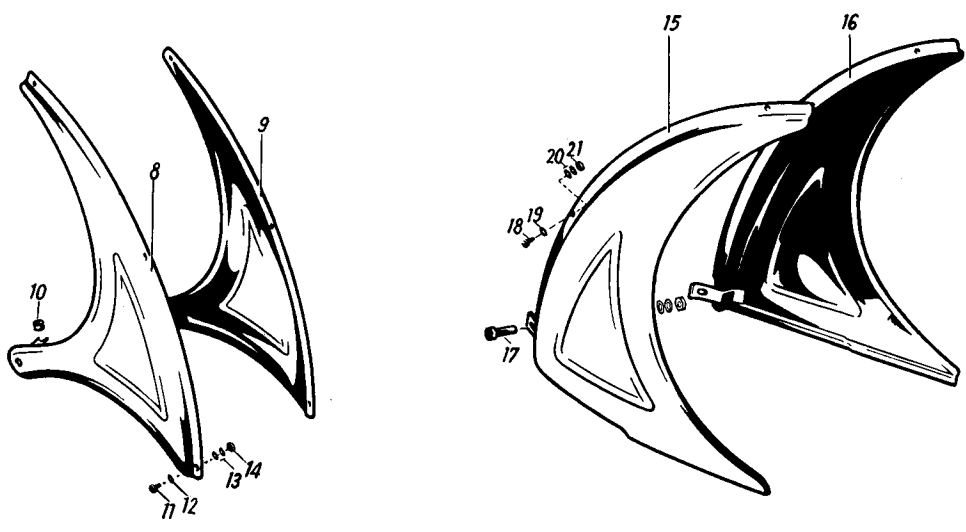
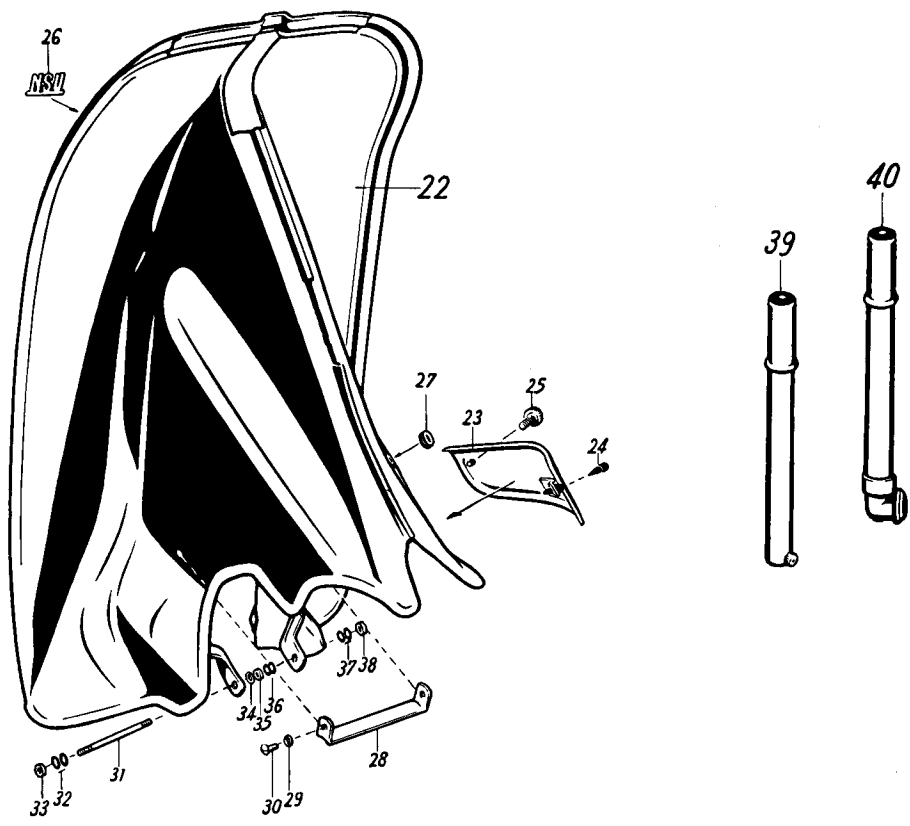
Description	Order-No.	Quantity	Remarks	Illustr.-No.
<b>QUICKLY-L</b>				
<b>Fuel tank</b>	16 72 00 508	1		1
Emblem	16 72 01 035	2		—
Transfer	073 772 030	1		—
Filler cap	16 72 01 504	1		2
Gasket	16 72 00 024	1		3
<b>Fuel tap</b>	16 72 01 505	1		4
Strainer	16 72 00 905	1		5
Gasket	16 72 00 903	1		—
Nut	16 72 00 904	1		6
Gasket	16 72 00 901	1		7
Connector	16 72 00 900	1		8
Cap nut	16 72 00 902	1		9
Hose	033 109 155	1	L = 200 mm	10
Sleeve	023 104 269	2		11
<b>Fuel tank attachment-fittings</b>				
Rubber block	16 72 00 004	2		12
Rubber strip	16 72 00 032	2		—
Strap	16 72 01 003	1		13
Pad	16 72 01 007	1		14
Pin rear	16 72 01 010	1		15
Circlip	5 DIN 6799	1		—
Pin front	16 72 00 019	1		16
Bolt	16 72 00 033	1		17
Lock washer	A 5,3 DIN 6798	1		18
Nut	16 72 00 008	1		19
<b>Exhaust pipe</b>	16 71 02 005	1		20
Seal ring	16 71 00 002	2		21
Union	16 71 00 001	1		22
<b>Silencer assy</b>	16 71 03 502	1	L = 625 mm	23
Silencer	16 71 02 505	1		24
Baffle	16 71 01 009	1		25
Lock washer	J 4,3 DIN 6798	1		26
Screw	M 4x8 DIN 86	1		27
Silencer bracket	16 71 03 008	1		28
Screw	M 6x15 DIN 933	1		29
Spring washer	B 6 DIN 137	2		30
Clip	16 71 00 006	1		31
Bolt	M 5x18 DIN 933	1		32
Spring washer	A 5 DIN 137	2		33
Nut	M 5 DIN 934	1		34

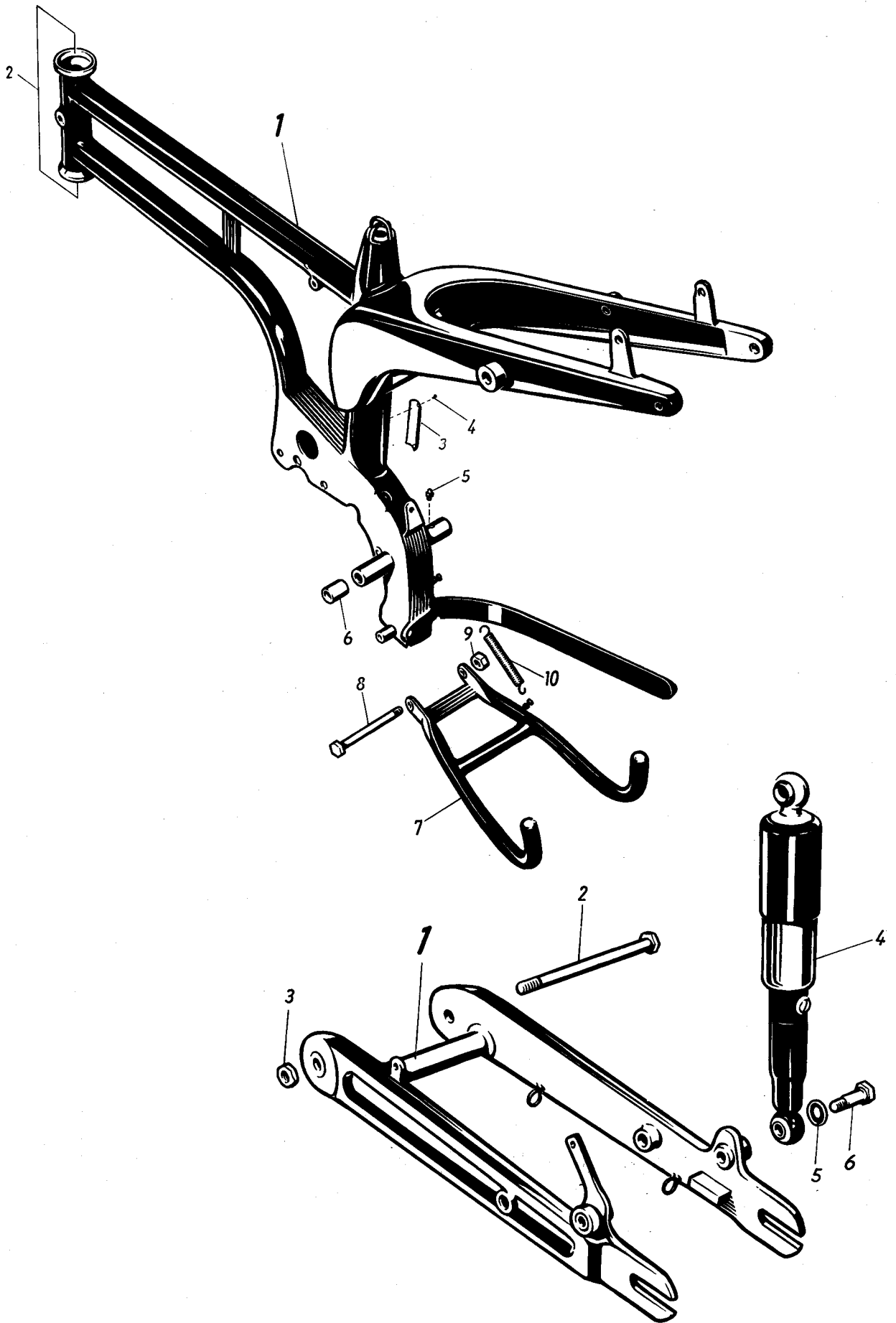




Description	Order-No.	Quantity	Remarks	Illustr.-No.
<b>QUICKLY-L</b>				
	1 2			
<b>Headlamp</b>	16 81 00 522	1		—
<b>Headlamp</b>	16 81 00 520	1	for Eire	—
Rim	16 81 52 914	1		1
Gasket	16 81 50 917	1		2
Lens	16 81 52 915	1		3
Spring	16 81 51 918	3		4
Reflector	16 81 51 916	1		5
Spring for reflector	16 81 50 939	2		6
Socket	16 81 00 925	1		—
Socket	16 81 00 902	1	for Eire	—
Adjusting screw	16 81 50 936	1		7
Spring	16 81 50 938	1		8
Nut	16 81 50 937	1		9
Packing ring	16 81 00 008	1		10
Angle	—	—	} s. page 60, Illustr. No. 9-11	—
Spring washer	—	—		—
Knurled screw	—	—		—
Bulb	16 81 00 514	1	6 V 15/15 W	11
Bulb	016 096 826	1	6 V 15/15 W for Eire	—
Dipswitch	16 81 02 509	1		—
Screw	M 3x15 DIN 91	2		—
<b>Tail lamp</b>	16 81 00 512	1		—
Rubber sleeve	16 81 00 009	1		—
<b>Tail lamp</b>	16 81 01 508	1	for Eire	—
Rubber pead	16 81 01 002	1		12
Screw	16 81 50 932	1		—
Cap for Tail lamp	16 81 50 942	1		13
Screw	16 81 51 900	1		14
Spring clip	16 81 50 941	1		15
Spacer	16 81 50 940	2		16
Lock washer	A 5,3 DIN 6798	2		17
Nut	M 5 DIN 934	2		18
Bulb	16 81 00 929	1	H 6 V 2,7 W	—
Cable Harness	16 81 00 517	1	} Engine-Headlamp L = 1070 mm Headlamp-Tail lamp L = 2120 mm	—
Protective sleeve	16 81 00 006	1		
<b>Tools</b>	16 91 00 900	1		—
Screw driver	16 91 00 003	1		19
Spanner	11 91 00 600	1	8x9 mm	20
Spanner	11 91 00 601	1	10x11 mm	21
Spanner for Cone	16 91 00 004	1		22
Plug spanner	16 91 00 002	1		23
Tommy bar	16 91 00 005	1	7 mm diam L = 118 mm	24
<b>Speedometer head (M. P. H.)</b>	16 92 02 505	1		25
Spring	16 43 00 036	1		26
Bracket	16 43 00 037	1		27
Flexible drive	16 92 02 502	1	L = 850 mm	28
Speedometer drive	16 92 01 503	1		29
Felt washer	16 92 00 905	1		30

Description	Order-No.	Quantity	Remarks	Illustr.-No.	
<b>QUICKLY-L</b>					
	1 2				
<b>Side support</b>	16 93 00 509	1	} optional for Quickly-N, S	1	
Shell case	16 93 00 507	1		2	
Double spring washer	16 93 00 042	1		3	
Washer	16 93 00 045	1		4	
Split pin	3x22 DIN 94	1		5	
Rubber plug	16 93 00 044	1		6	
Bolt	16 93 00 058	1		7	
<b>Splash guard-front and rear complete</b>	16 93 00 901	1	} optional for Quickly-N	—	
Left front half	16 93 00 512	1		8	
Right front half	16 93 00 513	1		9	
Rubber grommet	16 93 00 057	2		10	
Oval-head screw	M 3x8 DIN 85	6		11	
Washer	3,2 DIN 125	6		12	
Lock washer	A 3 DIN 137	12		13	
Nut	M 3 DIN 934	6		14	
Left rear half	16 93 00 514	1		15	
Right rear half	16 93 00 515	1		16	
Screw	6x18 DIN 933	2		{ replacing Screws M 6 x 16 DIN 933	17
Oval-head screw	M 3x8 DIN 85	4		18	
Washer	3,2 DIN 125	4		19	
Lock washer	A 3 DIN 137	8		20	
Nut	M 3 DIN 934	4	21		
Screw for strut fastening	M 6x18 DIN 931	2	{ replacing Screws M 6 x 22 DIN 931	—	
<b>Leg-guard</b>	16 93 00 511	1	} optional for starting carburettor use push button 16 16 00 018 and pressure pin 16 16 01 019	22	
Lid	16 93 01 519	1		23	
Rubber plug	11 40 00 031	1		24	
Knurled screw	16 93 00 064	1		25	
Badge	16 93 01 050	1		26	
Hose grommet	16 93 00 038	1		27	
Connecting strut	16 93 01 049	1		28	
Spacing washer	11 39 00 009	2		29	
Oval-head countersund screw	AM 6x10 DIN 91	2		30	
Stud	16 93 00 031	1		{ replacing Crankcase screw M 6x80 DIN 931	31
Spring washer	A 6 DIN 137	2		32	
Nut	M 6 DIN 934	1		33	
Washer	6,4 DIN 125	1		34	
Nut	16 52 00 043	1	35		
Spring washer	A 6 DIN 137	2	36		
Spring washer	A 6 DIN 137	2	37		
Nut	M 6 DIN 934	1	38		
<b>Inflator</b>	16 93 00 502	1	Quickly-N and -S	39	
Nut for nipple	16 93 00 900	1		—	
<b>Inflator</b>	16 93 01 502	1	Quickly-L	40	
Lock with key	—	—	{ → 208 684 / 225 051 s. page 35	—	
Lock with key	—	—	{ 208 685 / 225 052 → s. page 59	—	
Strap for luggage-carrier	16 93 00 520	1	order spare key from producers	41	

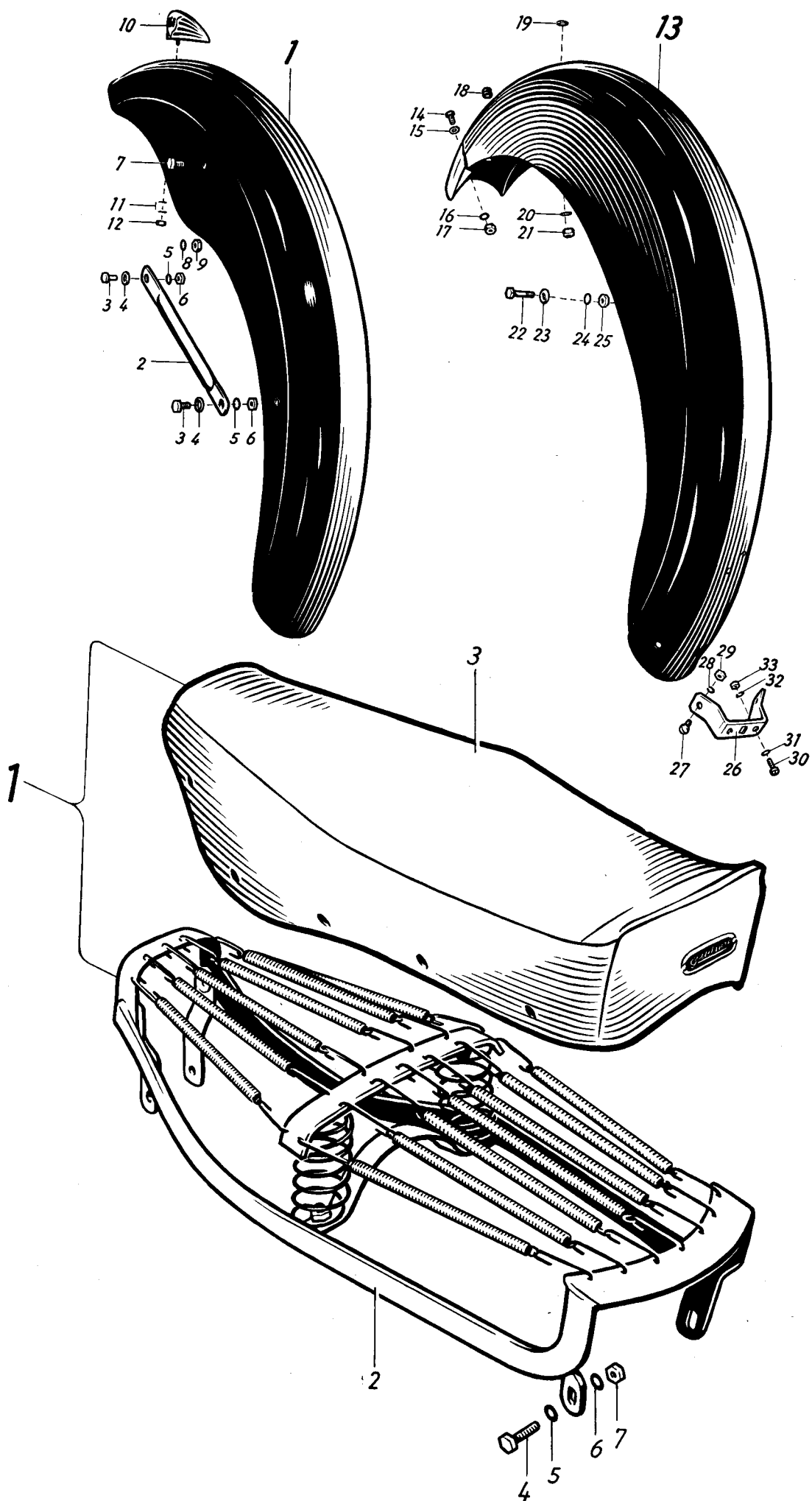


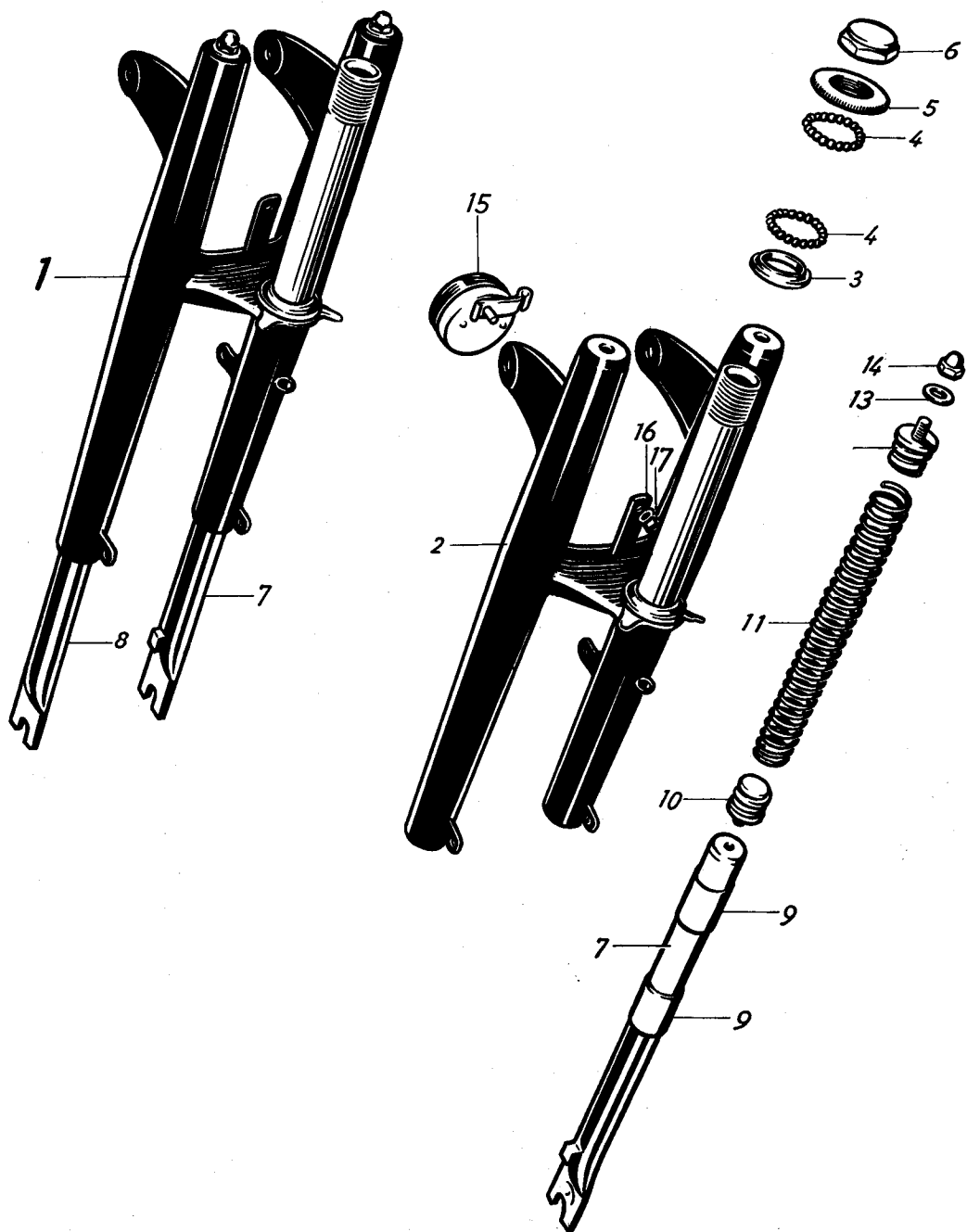




Description	Order-No.	Quantity	Remarks	Illustr.-No.
<b>QUICKLY Cavallino</b>				
<b>Frame</b>	16 31 90 902	1		1
Steering head race	16 31 90 904	2		2
Nameplate	16 31 00 900	1	not supplied without stamped number	3
Grooved	2x3 DIN 1476	1		4
Grease nipple	16 31 90 903	1		5
Bush	16 32 90 900	2		6
<b>Centre stand</b>	16 35 90 505	1		7
Screw	16 35 90 901	1		8
Nut	M 10 DIN 934	1		9
Spring	16 35 90 900	1		10
<hr/>				
<b>Rear fork</b>	16 32 90 903	1	{ → 733 142 / 805 276 and alternatively with 16 32 00 511 733 143 / 805 277 → → 738 200 / 807 506	1
<b>Rear fork</b>	16 32 00 511	1	{ alternatively with 16 32 90 903 733 143/805 277 → → 738 200 / 807 506 and 738 201 / 807 507 →	—
Axle	16 32 90 901	1		2
Nut	M 12x1,5 DIN 936	1		3
<b>Shock absorber</b>	16 32 90 905	2		4
Spring	16 32 90 906	2		—
Washer	10,5 DIN 125	4		5
Screw	M 10x1x35 DIN 960	4		6

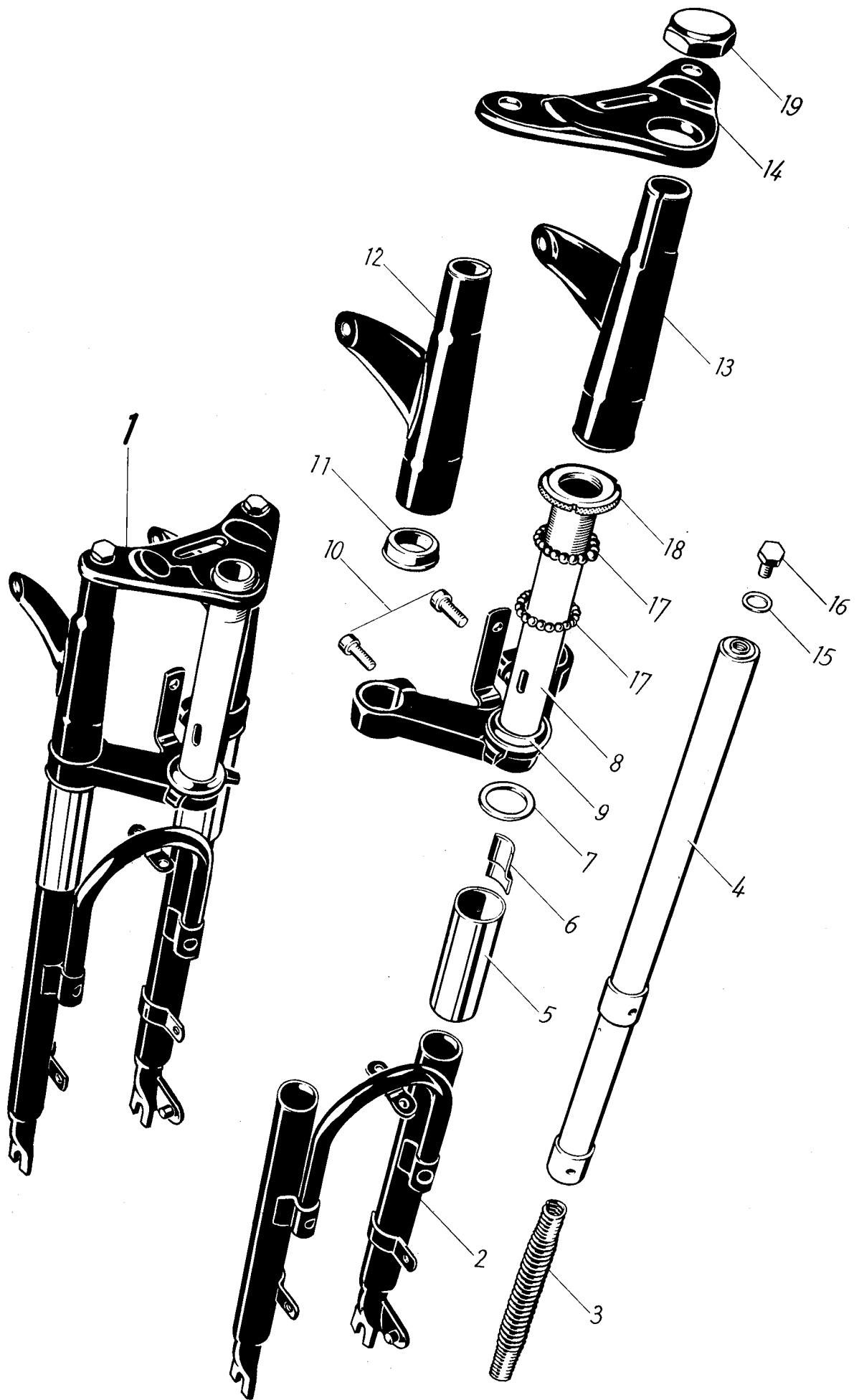
Description	Order-No.	Quantity	Remarks	Illustr.-No.
		<b>QUICKLY Cavallino</b>		
<b>Front mudguard</b>	16 33 90 901	1	→ 747 489 / 810 290	1
<b>Front mudguard</b>	16 33 90 510	1	} 747 490 / 810 291 →	—
Rubber sleeve	16 93 00 057	2		—
Stay	16 33 90 902	2		2
Screw	M 6x12 DIN 933	2		3
Screw	M 6x10 DIN 933	2		—
Washer	6,4 DIN 125	4		4
Lock washer	B 6 DIN 127	4		5
Nut	M 6 DIN 934	4		6
Screw	M 6x12 DIN 933	2		7
Lock washer	B 6 DIN 127	2		8
Nut	M 6 DIN 934	2		9
NSU emblem (blue)	533 085 385	1		10
Spring washer	A 4 DIN 137	2		11
Nut	M 4 DIN 934	1		12
<b>Rear mudguard</b>	16 34 90 901	1		13
Screw	M 6x12 DIN 933	1		14
Washer	6,4 DIN 125	1		15
Lock washer	B 6 DIN 127	1		16
Nut	M 6 DIN 934	1		17
Rubber sleeve	16 34 90 902	1		18
Washer	6,4 DIN 125	1		19
Lock washer	B 6 DIN 127	1		20
Nut	M 6 DIN 934	1		21
Screw	M 6x25 DIN 933	2		22
Washer	6,4 DIN 125	2		23
Lock washer	B 6 DIN 127	2		24
Nut	M 6 DIN 934	2		25
Bracket	16 31 00 087	1		26
Screw	M 4x10 DIN 85	2		27
Spring washer	B 4 DIN 137	4		28
Nut	M 4 DIN 934	2		29
Screw	M 4x10 DIN 85	2		30
Washer	4,3 DIN 125	2		31
Spring washer	B 4 DIN 127	2		32
Nut	M 4 DIN 934	2		33
<b>Dual seat</b>	16 38 90 505	1		1
Spring, front	16 38 90 920	2	L = 130 mm	—
Spring, front and rear	16 38 90 921	8	L = 125 mm	—
Spring, rear	16 38 90 922	3	L = 142 mm	—
Spring, rear	16 38 90 924	2	L = 78 mm	—
Dual seat, lower part	16 38 90 918	1	not supplied by itself	2
Dual seat cover	16 38 90 919	1		3
Screw	M 6x18 DIN 933	2		4
Washer	6,4 DIN 125	2		5
Lock washer	B 6 DIN 127	2		6
Nut	M 6 DIN 934	2		7

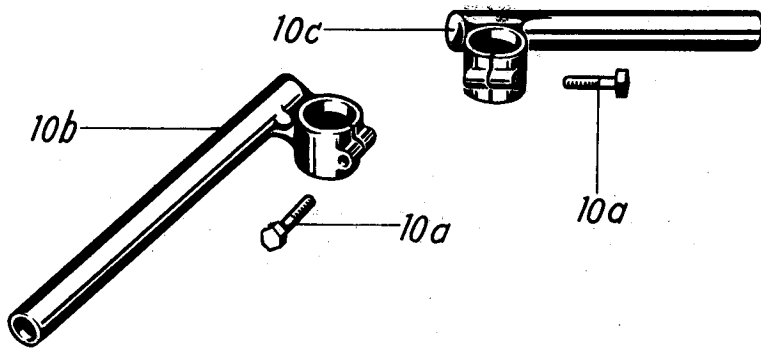
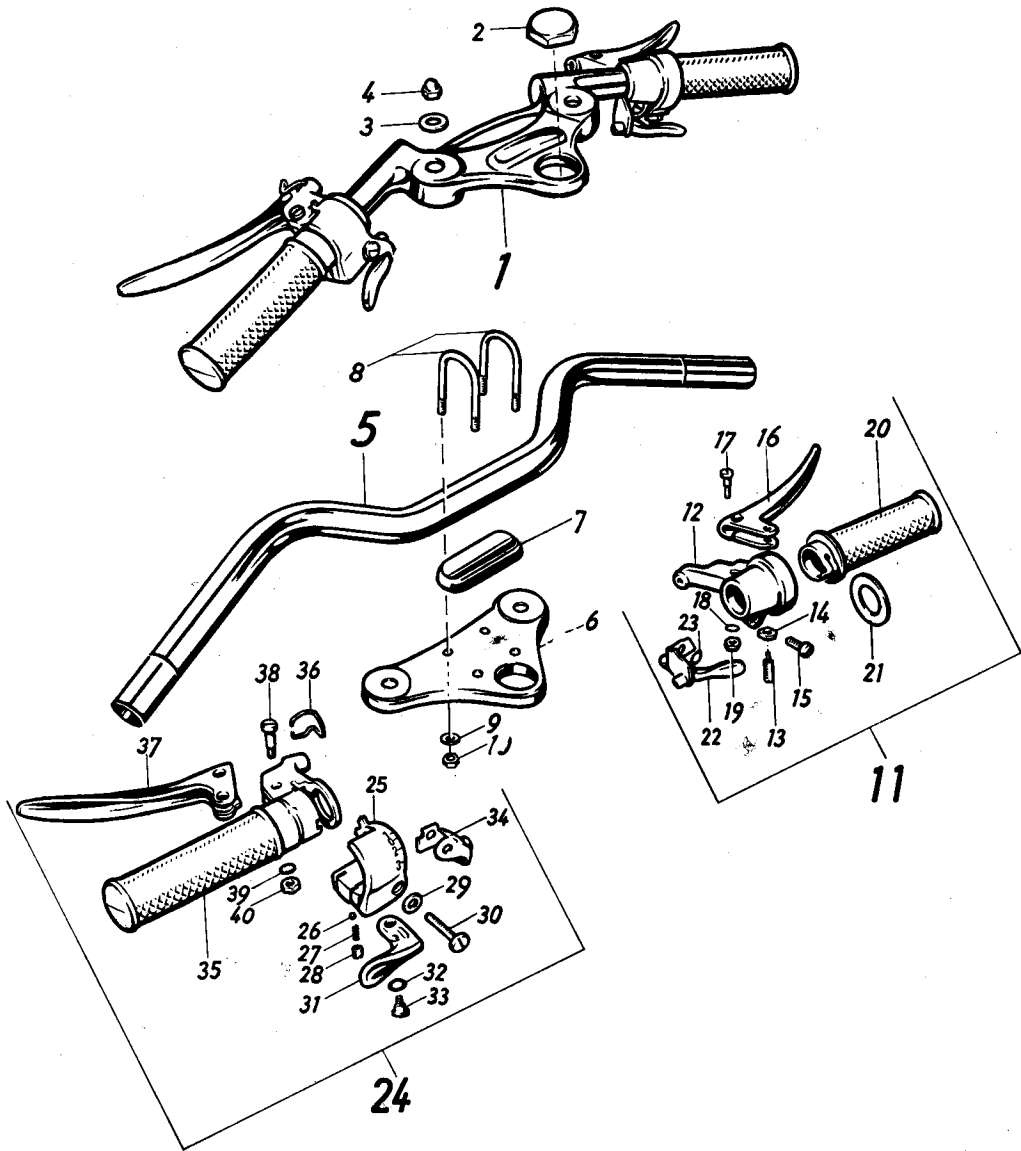




Description	Order-No.	Quantity	Remarks	Illustr.-No.
<b>QUICKLY Cavallino</b>				
	1 2 3 4 5			
<b>Spring fork</b>	16 41 90 517	1	→ 733 142 / 805 276 and alternatively with 16 41 91 517 733 143 / 805 277 → → 738 200 / 807 506	1
<b>Spring fork</b>	16 41 91 517	1	{ for NSU-hub (alternatively with 16 41 90 517 733 143 / 805 277 → → 738 200 / 807 506). 738 201 / 807 507 → → 747 489 / 810 290 only 16 41 91 517	—
Spring fork	16 41 90 907	1		2
Cone, bottom	16 41 90 908	1		3
Ball	034 049 991	each 23	3/16" diam	4
Nut	16 41 90 909	1		5
Nut	16 41 90 905	1		6
Fork tube	—	—	not supplied	—
Fork tube, right	16 41 91 911	1	with resistance for brake plate	7
Fork tube, right	16 41 91 522	1		—
Fork tube, left	16 41 91 915	1		8
Bush	16 41 90 904	4		9
Retainer	16 41 90 913	2	} for repair	—
Retainer	16 41 90 912	2	before modification 4 pieces	10
Spring	16 41 90 906	2		11
Washer	8,4 DIN 125	2		13
Nut	M 8 DIN 1587	2		14
Bellows	40 43 00 092	2		—
Ring	16 41 00 402	2	} for subsequent bitting on both parts of the fork → 747 489 / 810 290	—
Grub screw	M 3x6 DIN 553	6		—
<b>Rattle</b>	16 81 90 506	1		—
Cable for rattle	16 81 00 003	1		—
Screw	M 7x15 DIN 933	1	→ 747 489 / 810 290	—
Screw	M 7x20 DIN 933	1		—
Spacer	16 81 90 013	1	} 747 490 / 810 291 →	—
Washer	7,4 DIN 125	1		—
Spring washer	B 7 DIN 137	1		—
Nut	M 7 DIN 934	1		—
<b>Steering-head lock</b>	16 41 90 519	1	order spare key from producers	—
Cover plate	19 41 00 034	1		—
Grooved stud	3x8 DIN 1476	1		—
Spring washer	A 3 DIN 137	1		—

Description	Order-No.	Quantity	Remarks	Illustr.-No.
<b>QUICKLY Cavallino</b>				
	1 2			
<b>Spring fork</b>	16 41 93 517	1	747 490 / 810 291 →	1
Fork lower section	16 41 90 530	1		2
Spring fork	16 41 90 523	2		3
Fork tube, left	16 41 91 521	2		4
Dust tube	16 41 90 098	2		5
Dust tube holder	16 41 90 097	6		6
Rubber for Screen	16 41 90 096	2		7
<b>Fork head</b>	16 41 90 916	1		8
Cone, bottom	16 41 90 908	1		9
Screw	M 8x22 DIN 912	2		10
Rubber ring	16 41 90 095	2		11
Lamp holder left	16 41 90 527	1		12
Lamp holder right	16 41 90 528	1		13
Fork bridge	16 41 90 524	1		14
Washer	8,4 DIN 125	2		15
Screw	16 41 90 525	2		16
Ball	034 049 991	46	3/16" diam	17
Nut	16 41 90 909	1		18
Nut	16 41 90 905	1		19

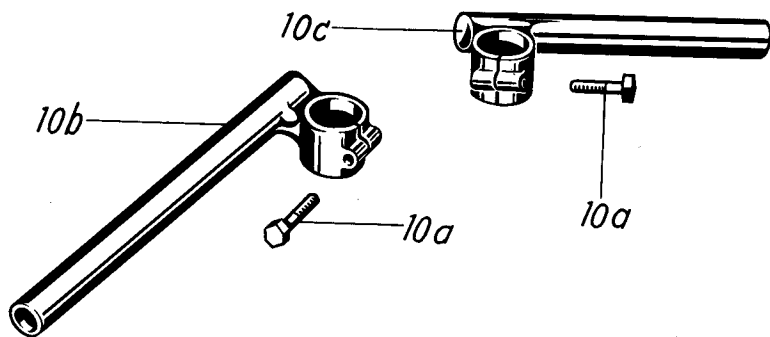
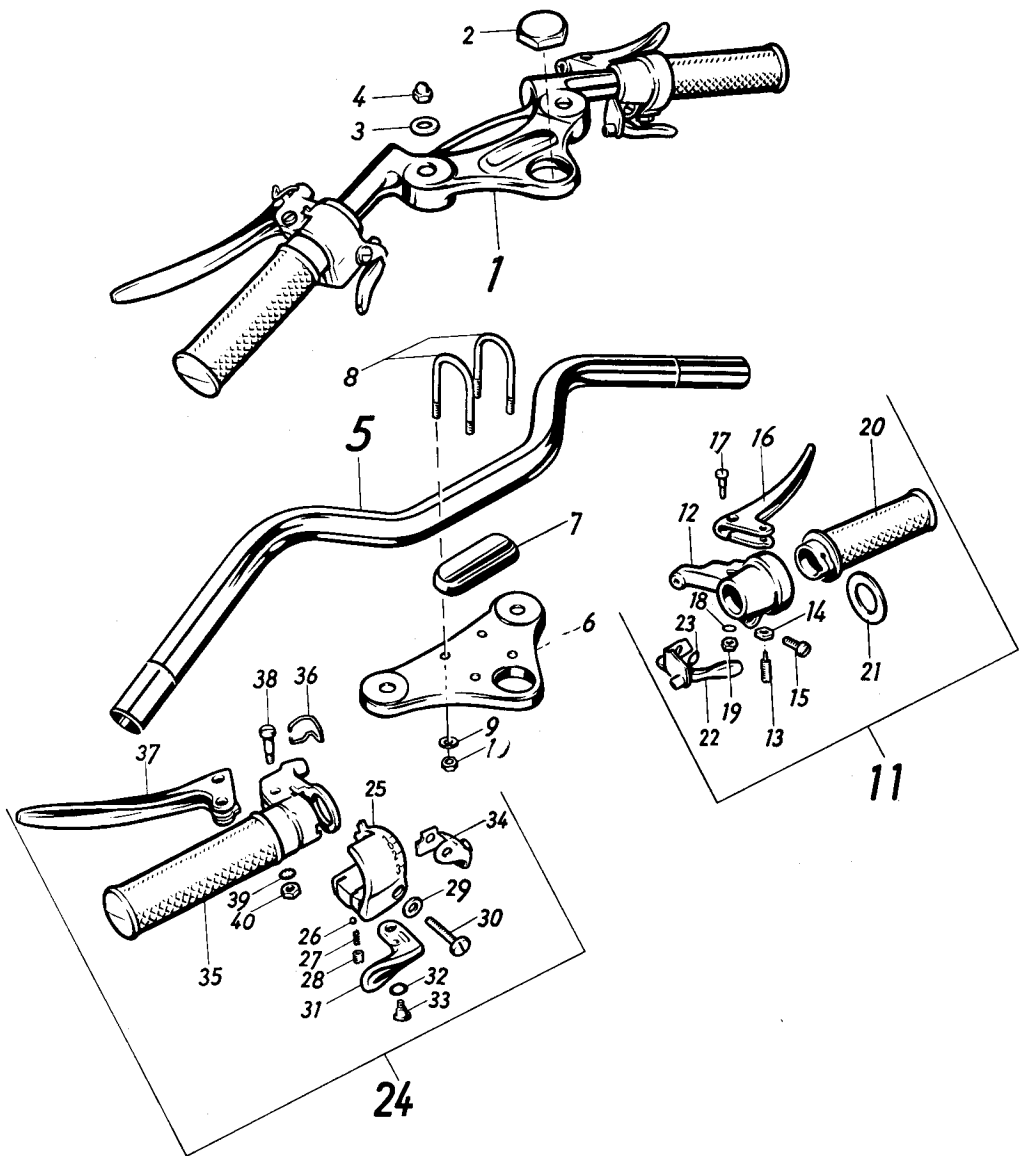






Description	Order-No.	Quantity	Remarks	Illustr.-No.	
<b>QUICKLY Cavallino</b>					
	1 2 3 4 5				
<b>Handlebar</b>	16 43 90 900	1		1	
Nut	—	1	} s.page 71, Illustr. No. 6, 13, 14	2	
Washer	—	2		3	
Nut	—	2		4	
Handlebar	16 43 90 524	1		→ 696 739 / 741 874	—
<b>Handlebar</b> (adjustable)	16 43 91 900	1		—	
Handlebar tube	16 43 91 524	1	} 696 740 / 741 875 → → 733 142 / 805 276. (moreover alternatively with 2 piece handle-bars 733 143 / 805 277 → → 738 200 / 807 506)	5	
Handlebar support	16 43 90 901	1		6	
Pad	16 43 90 902	1		7	
Bracket	16 43 90 903	2		8	
Washer	6,4 DIN 125	4		9	
Nut	M 6 DIN 934	4		10	
<b>Handlebar half, left</b>	16 43 90 526	1		} (alternatively with 16 43 91 524 733 143 / 805 277 → → 738 200 / 807 506). 738 201 / 807 507 → → 747 489 / 810 290 only 16 43 90 526/527	—
<b>Handlebar half, right</b>	16 43 90 527	1			—
Handlebar support	16 43 91 901	1		—	—
Screw	M 6x25 DIN 931	2			10a
<b>Handlebar half, left</b>	16 43 91 526	1	} 747 490 / 810 291 →	10b	
<b>Handlebar half, right</b>	16 43 91 527	1		10c	
Throttle twistgrip	16 43 03 502	1	w/o Illustr.-No. 22, 23	11	
Twistgrip housing	16 44 04 900	1		12	
Adjusting screw	16 44 00 929	1	6 mm	13	
Nut	M 6 DIN 439	1		14	
Screw	044 413 608	1		15	
Brake lever	16 44 00 902	1		16	
Screw	16 44 00 903	1		17	
Lock washer	J 5,3 DIN 6797	1		18	
Nut	M 5 DIN 934	1		19	
Twistgrip sleeve	16 44 03 901	1		20	
Rubber grip	16 44 01 904	1		—	
Washer	16 44 02 921	1		21	
<b>Gear change twistgrip</b> with control levers for clutch and decompr.	16 43 02 503	1		24	
Housing	16 44 04 905	1		25	
Ball	11 13 00 780	1	4 mm diam	26	
Spring	16 44 00 911	1		27	
Grub screw	014 106 433	1	M 5x4	28	
Washer	6,4 DIN 125	1		29	
Screw	16 44 00 913	1		30	

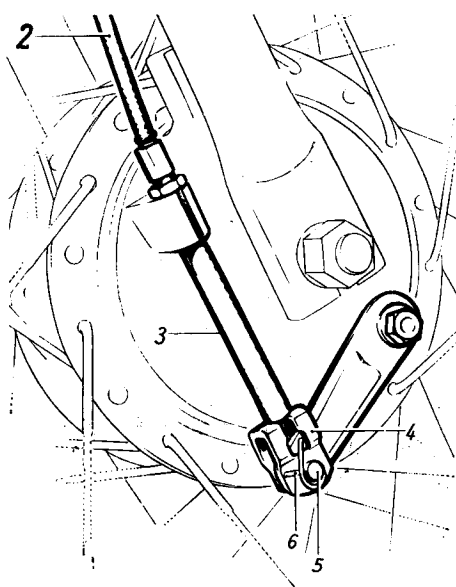
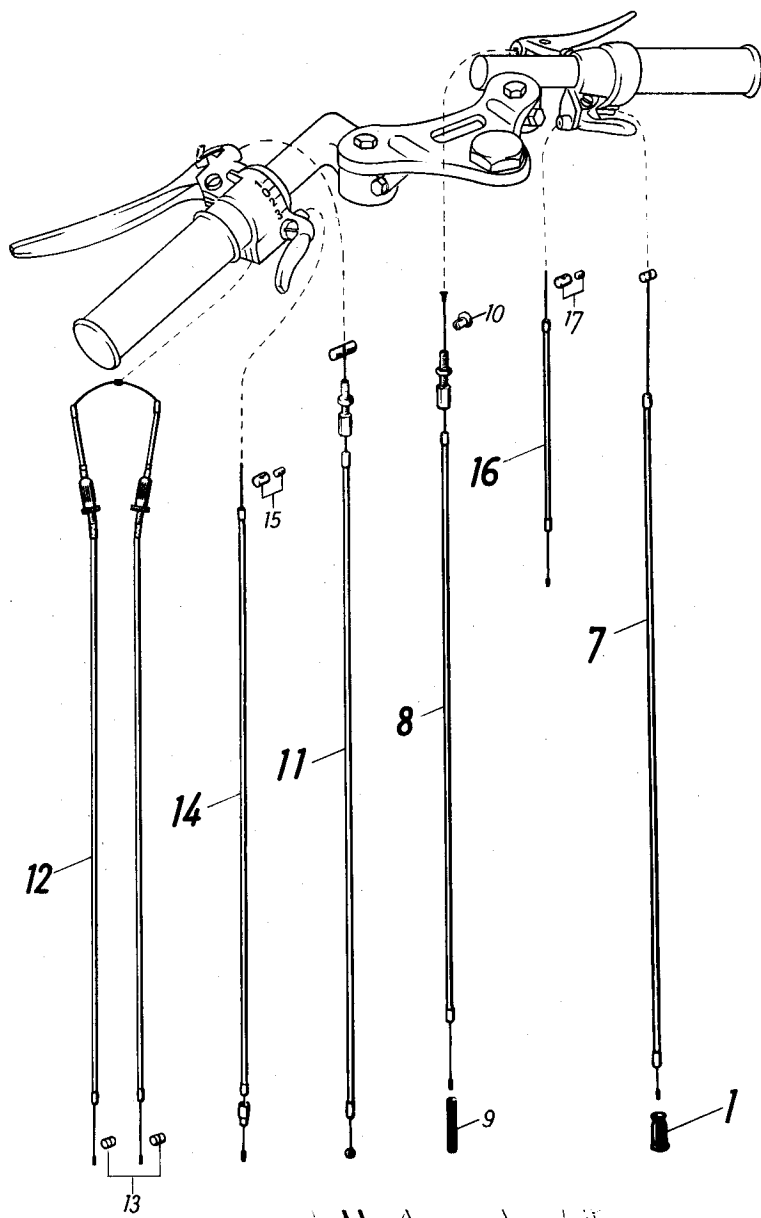
Description	Order-No.	Quantity	Remarks	Illustr.-No.
		<b>QUICKLY Cavallino</b>		
	1 2 3 4			
Decompressor lever	16 44 00 909	1		31
Spring washer	16 44 00 923	1		32
Screw	M 4x4 DIN 923	1		33
Support	16 44 00 916	1		34
Twistgrip sleeve	16 44 04 906	1		35
Rubber grip	16 44 00 904	1		—
Stirrup	16 44 00 910	1		36
Clutch lever	16 44 02 907	1		37
Bolt	16 44 00 908	1		38
Lock washer	J 5,3 DIN 6797	1		39
Nut	M 5 DIN 934	1		40

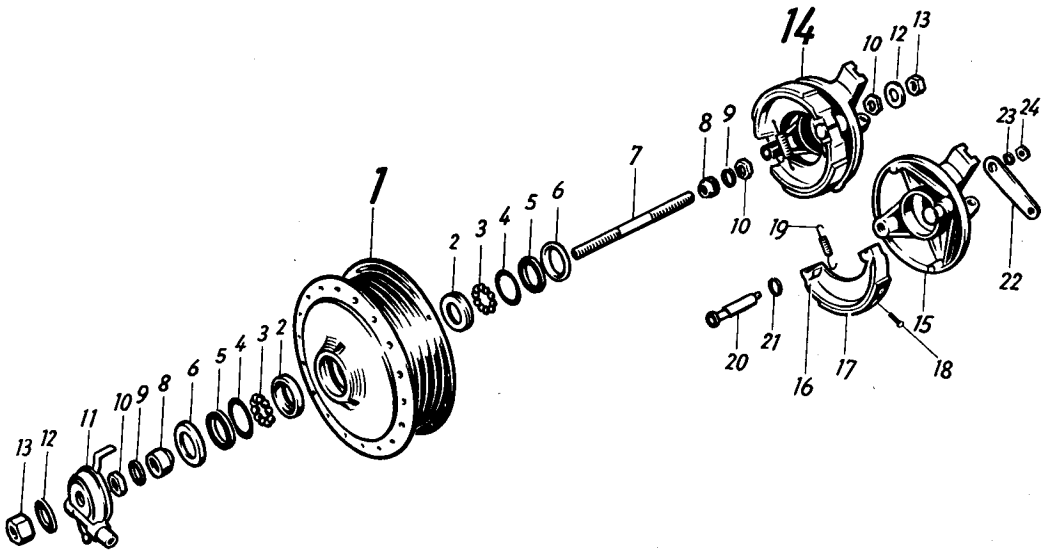


Description	Order-No.	Quantity	Remarks	Illustr.-No.
<b>QUICKLY Cavallino</b>				
Rubber sleeve	16 44 00 025	1		1
<b>Hand-brake control cable</b>	16 44 00 513	1	{ → 733 142 / 805 276 (moreover alternatively with cables for 2-piece handlebars 733 143 / 805 277 → → 738 200 / 807 506) }	2
Hose	084 844 015	1		3
Yoke	16 53 00 013	1		4
Pivot pin	16 53 00 010	1		5
Washer	11 53 00 002	1		—
Clip	11 53 00 819	1		6
Screw	16 44 00 930	1		—
Nut	16 44 00 049	1		—
<b>Throttle control cable</b>	16 44 00 519	1		7
<b>Hand-brake control cable</b>	16 44 00 520	1		{ (alternatively with former cables 733 143 / 805 277 → → 738 200 / 807 506) and 738 201 / 807 507 → }
Hose	16 44 01 003	1	9	
Nipple	16 44 00 023	1	10	
<b>Clutch control cable</b>	16 44 00 502	1		11
Nipple	16 44 00 023	1		—
<b>Gear change control cable</b>	16 44 05 503	1	{ L = 874 mm → 733 142 / 805 276. (moreover alternatively with cables for 2-piece handlebars 733 143 / 805 277 → → 738 200 / 807 506) }	—
<b>Gear change control cable</b>	16 44 00 515	1		{ L = 790 mm (alternatively with former cables 733 143 / 805 277 → → 738 200 / 807 506) and 738 201 / 807 507 → }
Nipple, bottom	16 44 00 056	2		
<b>Decompressor control cable</b>	16 44 00 516	1		14
Nipple	16 44 00 021	1		15
<b>Rear brake cable</b>	—	—	s. page 80, Illustr. No. 1-8	—

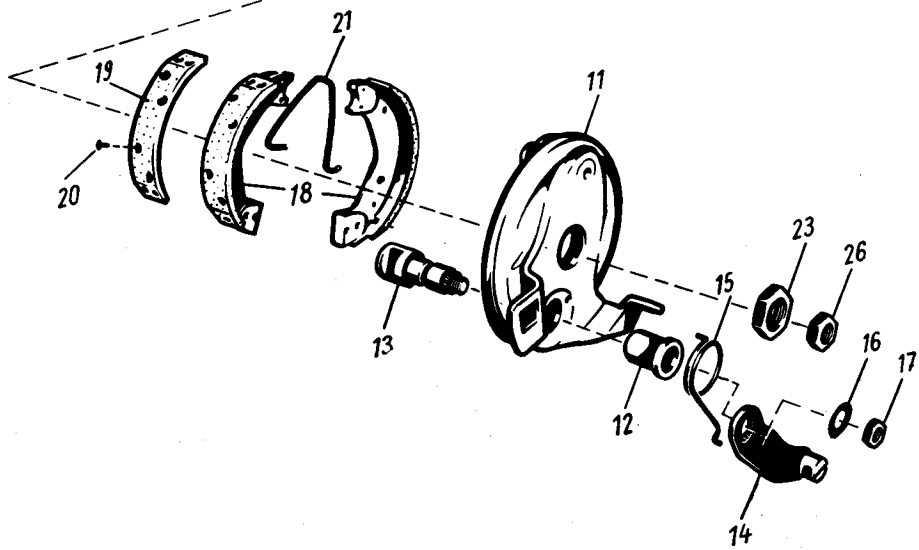
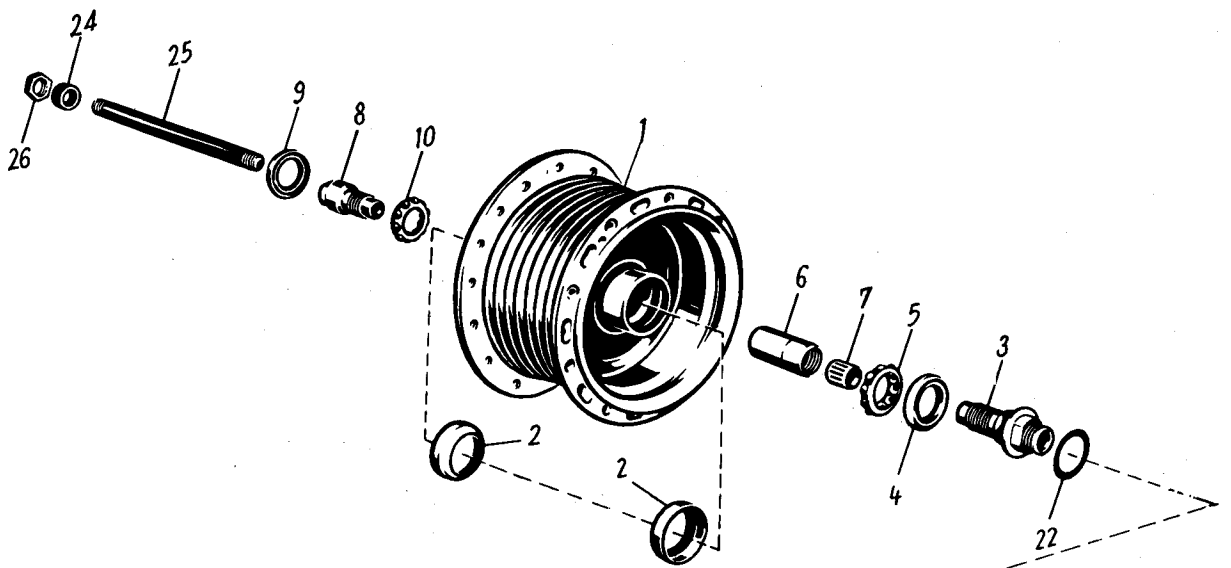
Description	Order-No.	Quantity	Remarks	Illustr.-No.
			<b>QUICKLY Cavallino</b>	
				1 2 3 4 5 6
<b>Front wheel</b> w/o tyre and tube	16 51 90 521	1	} → 733 142 / 805 276. (moreover alternatively with 16 51 90 523 733 143 / 805 277 → → 738 200 / 807 506)	—
<b>Front wheel</b> w/o brake w/o tyre and tube	16 51 90 916	1		—
<b>Hub</b>	16 51 90 904	1		—
Hub	16 51 90 907	1		1
Ball race	16 51 90 905	2		2
Ball	035 052 368	each 10	1/4" diam	3
Washer	16 51 90 914	2		4
Felt ring	16 51 90 912	2		5
Cap	16 51 90 911	2		6
Front wheel	16 51 90 908	1		7
Cone	16 52 90 909	2		8
Washer	16 52 90 910	3		9
Nut	16 51 90 913	3		10
Speedometer drive	—	—	s. page 83	11
Washer	16 52 90 913	2		12
Nut	16 52 90 914	2		13
<b>Front wheel brake</b>	16 51 90 909	1		14
Brake plate	16 51 90 910	1		15
Brake shoe, lower	16 52 90 928	1		16
Brake shoe, upper	16 52 90 906	1		—
Brake lining	16 52 90 908	2		17
Rivet	16 52 90 921	8		18
Spring	16 52 90 907	2		19
Brake cam	16 52 90 917	1		20
Washer	16 52 90 918	1		21
Brake lever	16 52 90 919	1		22
Washer	6,4 DIN 125	1		23
Nut	M 6 DIN 934	1		24
Rim	16 51 90 078	1		—
Spoke	16 51 90 906	36		—
Nipple	16 51 90 915	36		—
Tyre	23—2,25	—	} not supplied	—
Inner tube	23—2,25	—		—
Well filler	23—2,00	—		—

Description	Order-No.	Quantity	Remarks	Illustr.-No.
<b>QUICKLY Cavallino</b>				
	1 2 3 4			
<b>Front wheel</b> w/o tyre and tube	16 51 90 523	1	{ (alternatively with 16 51 90 521 733 143 / 805 277 → → 738 200 / 807 506). 738 201 / 807 507 → only NSU-type	—
<b>Front wheel</b> w/o brake w/o tyre and tube	16 51 90 917	1		—
<b>Hub</b>	16 51 90 525	1		—
Hub	16 51 03 900	1		1
Ball race	16 51 00 023	2		2
Rim	16 51 90 078	1		—
Spoke	16 51 91 906	36	M 3x211 mm	—
Nipple	025 104 183	16	M 3	—
Cone	16 52 01 015	1		3
Seal ring	16 51 00 045	1		4
Ball cage	16 51 00 044	1		5
Spacer	16 52 02 017	1		6
Tolerance ring	16 52 00 037	1		7
Cone	16 52 01 016	1		8
Seal ring	16 51 00 045	1		9
Ball cage	16 51 00 044	1		10
<b>Front wheel brake</b>	16 51 02 511	1		—
Brake plate	16 51 04 503	1		11
Bush	16 52 03 026	1	12x15x19 mm	12
Brake cam	16 51 03 027	1		13
Brake lever	16 51 01 502	1		14
Spring	16 51 01 035	1		15
Spring washer	B 7 DIN 137	1		16
Nut	16 52 01 043	1		17
Brake shoe	16 51 02 509	2		18
Brake lining	16 52 01 034	2		19
Rivet	16 51 00 043	16		20
Spring	16 51 03 030	1		21
Shim	16 51 00 054	as req.	18,2x26x0,2; 0,3 mm	22
Shim	16 51 01 054	as req.	18,2x26x0,5 mm	
Nut	16 51 03 025	1		23
<b>Spindle</b>	16 51 03 028	1		25
Washer	10,5 DIN 125	2		—
Nut	16 51 00 036	1		26
Tyre	23—2,25	—	} not supplied	—
Inner tube	23—2,25	—		—
Well filler	23—2,00	—		—

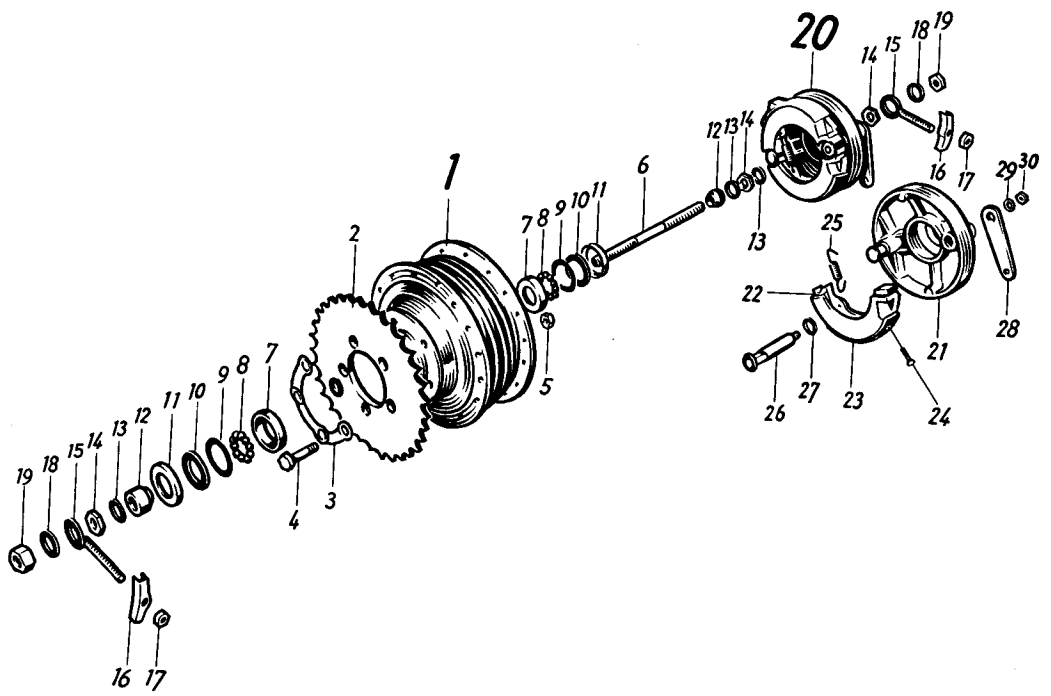


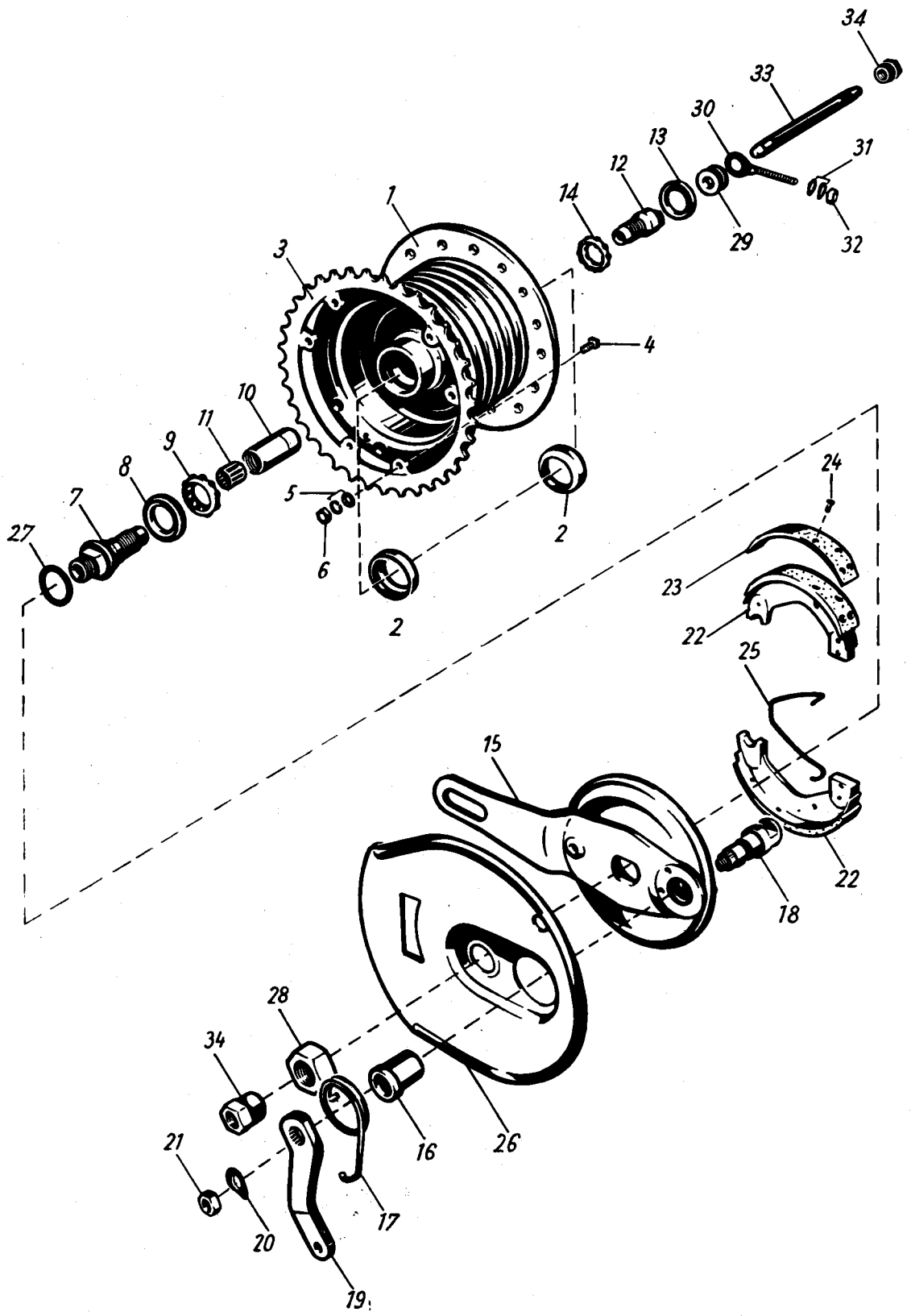






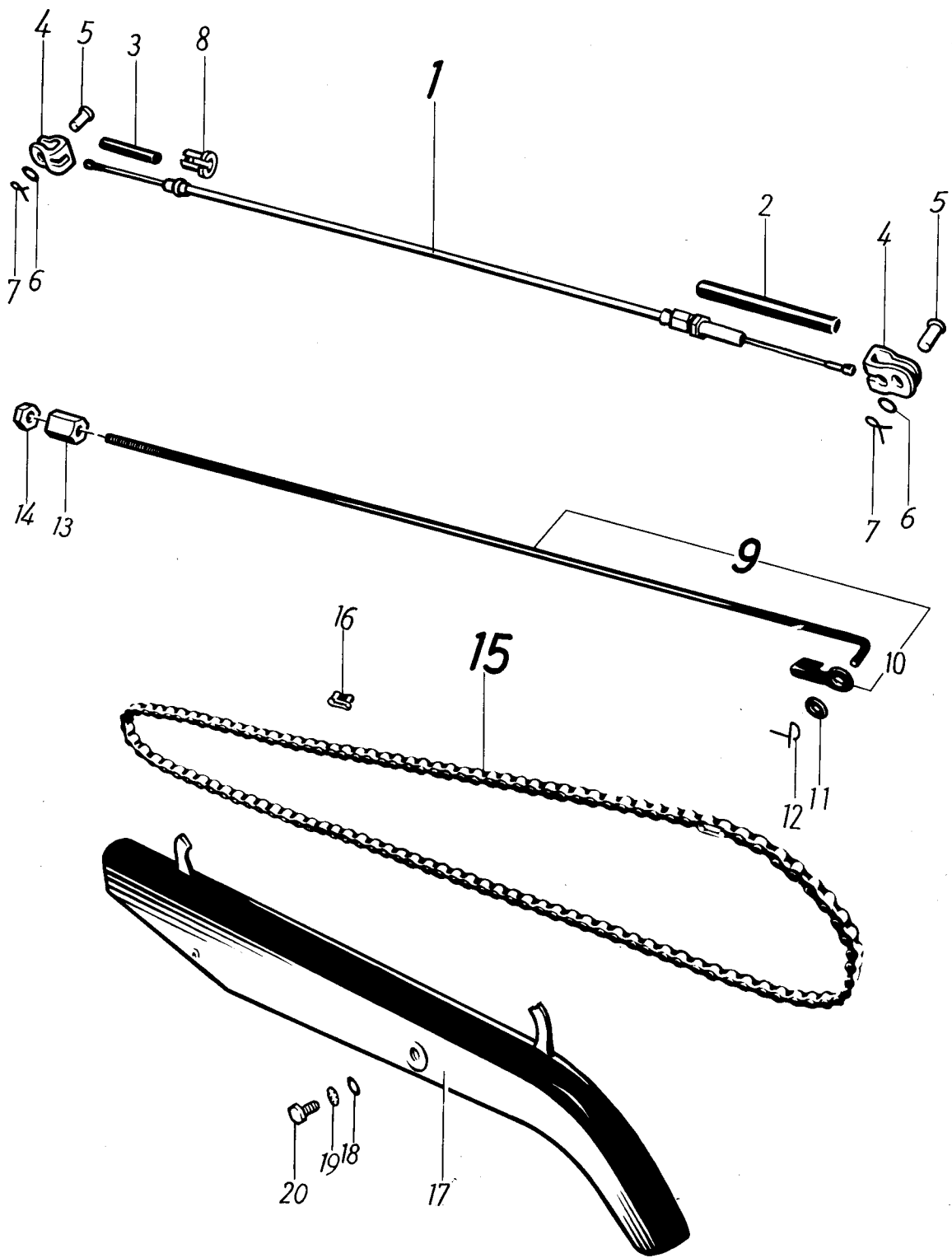
Description	Order-No.	Quantity	Remarks	Illustr.-No.
<b>QUICKLY Cavallino</b>				
	1 2 3 4 5 6			
<b>Rear wheel</b> w/o tyre and tube	16 52 90 525	1	} → 733 142 / 805 276. moreover alternatively with 16 52 90 529 733 143 / 805 277 → → 738 200 / 807 506)	—
<b>Rear wheel w/o brake</b> w/o tyre and tube	16 52 90 925	1		—
<b>Hub</b>	16 52 90 926	1		—
Hub	16 52 90 922	1		1
Sprocket	16 52 90 927	1	34 No of teeth	2
Lock plate	16 52 90 923	1		3
Screw	M 7x25 DIN 931	5		4
Nut	M 7 DIN 934	5		5
Rear wheel axle	16 52 90 924	1		6
Ball race	16 51 90 905	2		7
Ball	035 052 368	each 10	1/4" diam	8
Washer	16 51 90 914	2		9
Felt ring	16 51 90 912	2		10
Cap	16 51 90 911	2		11
Cone	16 52 90 909	2		12
Washer	16 52 90 910	3		13
Nut	16 51 90 913	3		14
Chain adjusting screw	16 52 90 912	2		15
Cap for adjusting screw	16 52 90 920	2		16
Nut	16 52 90 931	2		17
Washer	16 52 90 913	2		18
Nut	16 52 90 914	2		19
<b>Rear wheel brake</b>	16 52 90 915	1		20
Brake plate	16 52 90 916	1		21
Brake shoe, lower	16 52 90 928	1		22
Brake shoe, upper	16 52 90 906	1		—
Brake lining	16 52 90 908	2		23
Rivet	16 52 90 921	8		24
Spring	16 52 90 907	2		25
Brake spanner	16 52 90 917	1		26
Washer	16 52 90 918	1		27
Brake lever	16 52 90 919	1		28
Washer	6,4 DIN 125	1		29
Nut	M 6 DIN 934	1		30
Rim	16 51 90 078	1		—
Spoke	16 51 90 906	36		—
Nipple	16 51 90 915	36		—
Tyre	23—2,25	—	} not supplied	—
Inner tube	23—2,25	—		—
Well filler	23—2,00	—		—

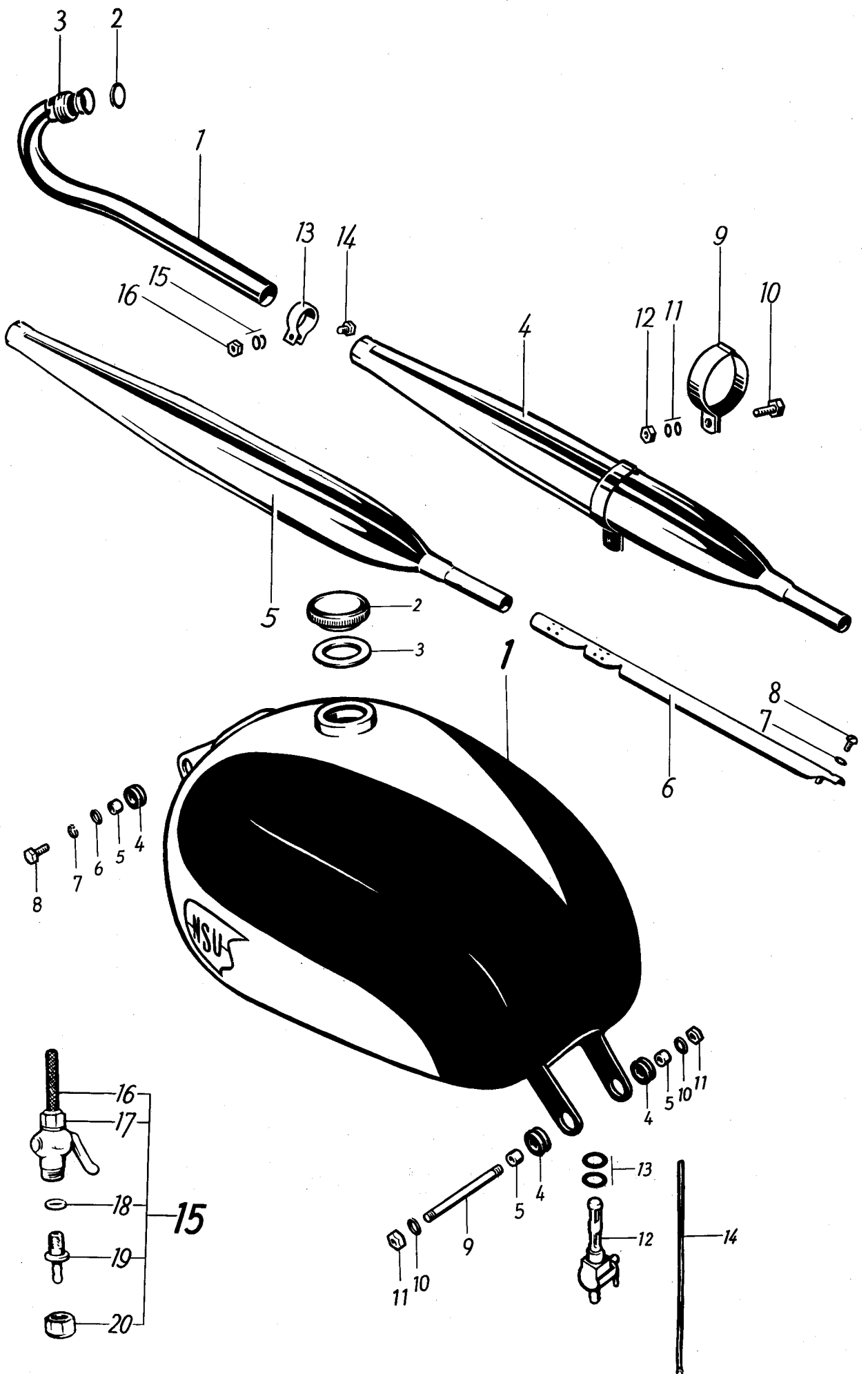




Description	Order-No.	Quantity	Remarks	Illustr.-No.
<b>QUICKLY</b>				
<b>Cavallino</b>				
1 2 3 4				
<b>Rear wheel</b> w/o tyre and tube	16 52 90 529	1	{ alternatively with 16 52 90 525 733 143 / 805 277 → → 738 200 / 807 506). 738 201 / 807 507 → only NSU-type	—
<b>Rear wheel</b> w/o brake w/o tyre and tube	16 52 90 929	1		—
Rim	16 51 90 078	1		—
Spoke	16 51 91 906	36	M 3x211 mm	—
Nipple	025 104 183	36	M 3	—
<b>Rear wheel hub</b>	16 52 00 531	1		—
Hub	16 52 04 900	1		1
Ball race	16 51 00 023	2		2
Sprocket	16 52 03 005	1	36 No of teeth	3
Screw	16 52 01 044	6		4
Spring ring	A 5 DIN 127	6		5
Nut	16 52 00 045	6		6
Cone	16 52 01 015	1		7
Seal ring	16 51 00 045	1	18x30,2x5 mm	8
Ball cage	16 51 00 044	1	1/4" diam	9
Spacer	16 52 02 017	1		10
Tolerance ring	16 52 00 037	1		11
Cone	16 52 01 016	1		12
Seal ring	16 51 00 045	1	18x30,2x5 mm	13
Ball cage	16 51 00 044	1	1/4" diam	14
<b>Rear wheel brake</b>	16 52 00 533	1		—
Brake plate	16 52 02 518	1		15
Bush	16 52 03 026	1	12x15x19 mm	16
Spring	16 52 03 021	1		17
Brake spanner	16 51 03 027	1		18
Brake lever	16 52 03 003	1		19
Spring washer	B 7 DIN 137	1		20
Nut	16 52 01 043	1		21
Brake shoe	16 51 02 509	2		22
Brake lining	16 52 01 034	2		23
Rivet	16 51 00 043	16		24
Spring	16 51 03 030	1		25
Cap	16 52 00 046	1		26
Shim	16 51 00 054	as req.	18,2x26x0,2; 0,2 mm	27
Shim	16 51 01 054	as req.	18,2x26x0,5 mm	—
Nut	16 52 01 049	1		28
Spacer	16 52 03 018	1	19,5 mm	29
Chain adjusting screw	16 52 00 011	2		30
Spacer	16 52 00 058	2		—
Spring washer	B 6 DIN 137	4		31
Nut	M 6 DIN 934	2		32
Spindle	16 52 02 014	1		33
Washer	10,5 DIN 125	2		—
Nut	16 51 00 036	2		34
Tyre	23—2,25	—	} not supplied	—
Inner tube	23—2,25	—		—
Well filler	23—2,00	—		—

Description	Order-No.	Quantity	Remarks	Illustr.-No.
<b>QUICKLY Cavallino</b>				
<b>Rear brake control cable</b>	16 53 90 506	1		1
Hose	035 099 491	1	L = 85 mm	2
Hose	16 53 00 018	1	L = 50 mm	3
Yoke	16 53 00 013	2	→ 733 142 / 805 276	4
Pivot pin	16 53 00 010	2	(moreover alternatively with brake pull rod 16 53 00 502	5
Washer	11 53 00 002	2	733 143 / 805 277 → → 738 200 / 807 506)	6
Clip	11 53 00 819	2		7
Sleeve	16 53 01 012	1		8
<b>Brake rod</b>	16 53 00 502	1	L = 505 mm	9
Lock plate	025 100 655	1		10
Washer	125 059 963	1	738 201 / 807 507 →	11
Spring clip	11 53 00 819	1	(moreover alternatively with cable 16 53 90 506	12
Nut	16 53 01 003	1	733 143 / 805 277 → → 738 200 / 807 506)	13
Nut	M 5 DIN 934	1		14
<b>Chain</b> 106 links	16 54 90 900	1	→ 733 142 / 805 276 (moreover alternatively with chain 16 54 91 900 733 143 / 805 277 → → 738 200 / 807 506)	—
<b>Chain</b> 108 links	16 54 91 900	1	738 201 / 807 507 → (moreover alternatively with chain 16 54 90 900 733 143 / 805 277 → → 738 200 / 807 506)	15
Connecting link	16 54 00 601	1	1 E 12,7x4,88 mm DIN 8180	16
Joggled link	16 54 00 603	1	1 C 12,7x4,88 mm DIN 8180	—
<b>Chain mudguard</b>	16 32 90 904	1		17
Washer	6,4 DIN 125	2		18
Spring ring	B 6 DIN 127	1		19
Screw	M 6x10 DIN 933	2		20

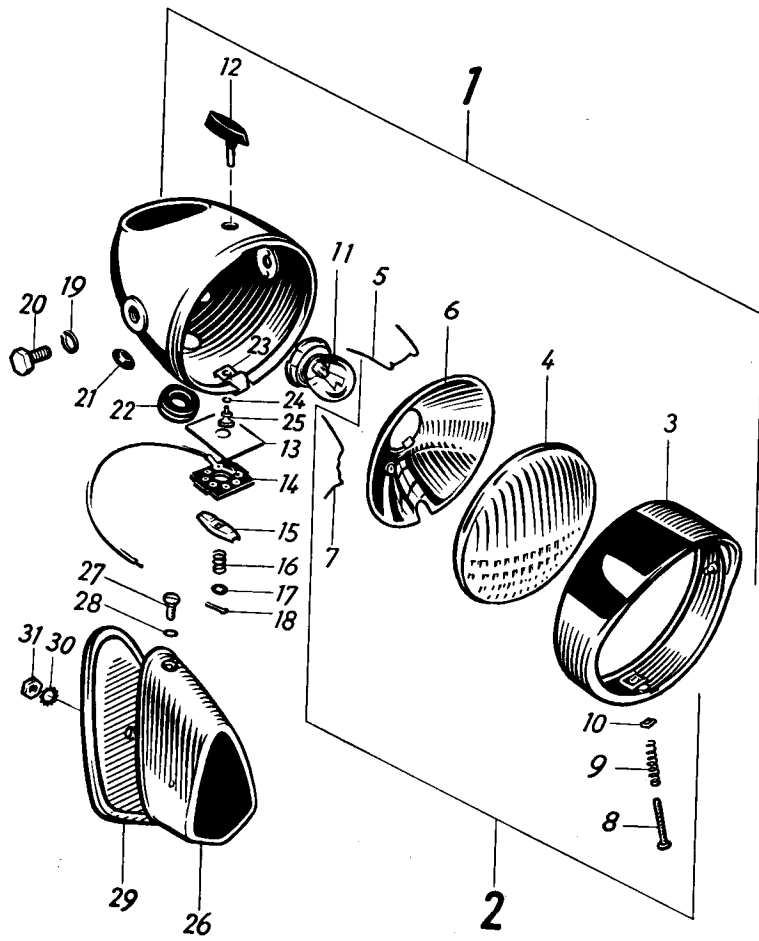


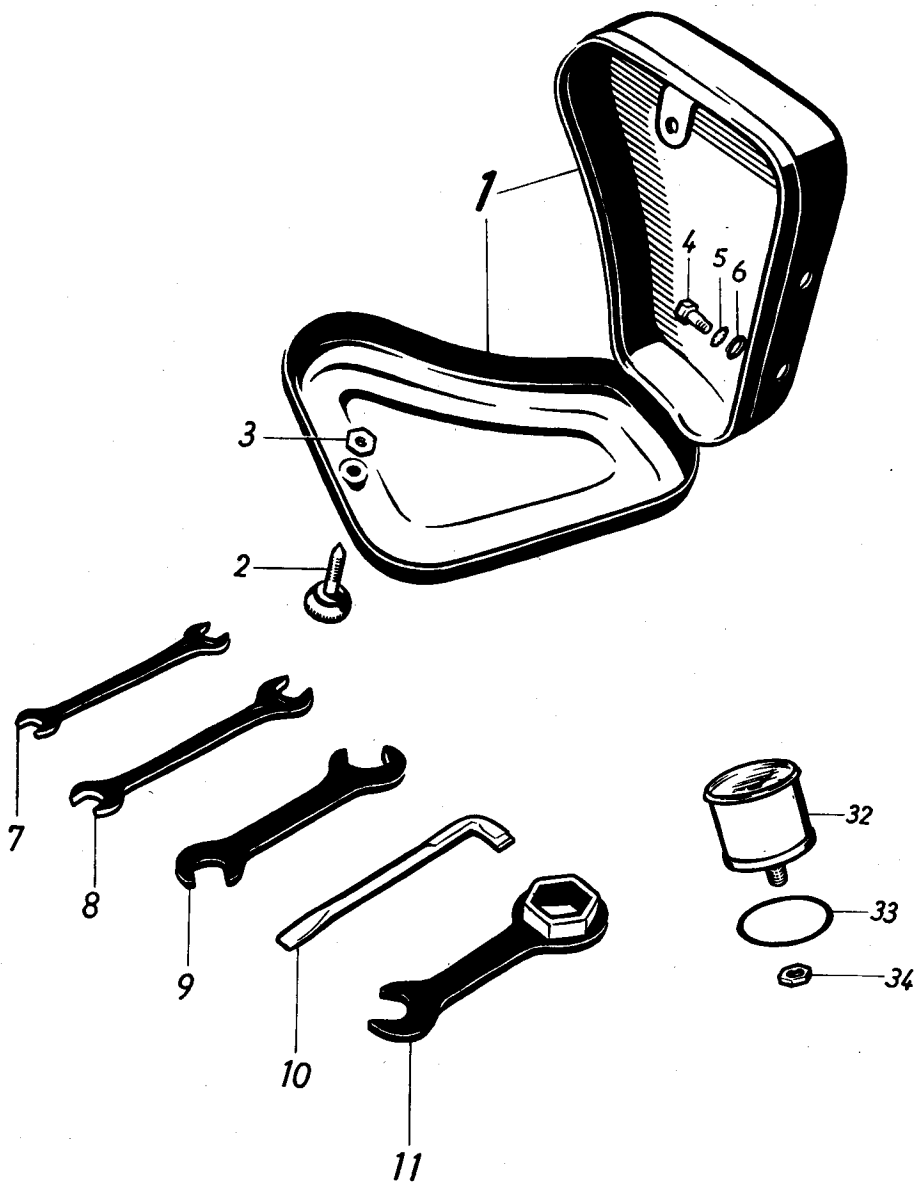




Description	Order-No.	Quantity	Remarks	Illustr.-No.
<b>QUICKLY</b>				
<b>Cavallino</b>				
	1			
<b>Exhaust pipe</b>	16 71 02 005	1		1
Gasket	16 71 00 002	2		2
Union	16 71 00 001	1		3
<b>Silencer assy</b>	16 71 03 502	1		4
Silencer body	16 71 02 505	1		5
Baffle	16 71 01 009	1		6
Lock washer	J 4,3 DIN 6798	1		7
Screw	M 4x8 DIN 86	1		8
Silencer bracket	16 71 03 008	1		9
Screw	M 6x20 DIN 933	1		10
Spring washer	B 6 DIN 137	2		11
Nut	M 6 DIN 934	1		12
Clip	16 71 00 006	1		13
Screw	M 5x18 DIN 933	1		14
Spring washer	A 5 DIN 137	2		15
Nut	M 5 DIN 934	1		16
<hr/>				
<b>Fuel tank</b>	16 72 90 510	1	→ 739 860 / 807 885	1
<b>Fuel tank</b>	16 72 91 510	1	{ 739 861 / 807 886 → when ordering a fuel tank for a vehicle prior to the above no. include also fuel tap 16 72 01 505	—
Filler cap	16 72 01 504	1		2
Gasket	16 72 00 024	1		3
Transfer	16 72 90 039	2		—
Base	083 872 018	1		—
Rubber sleeve	11 44 00 032	4		4
Spacer ring	16 72 90 908	4		5
Washer	6,4 DIN 125	2		6
Spring ring	B 6 DIN 127	2		7
Screw	M 6x18 DIN 933	2		8
Screw	M 7x68 DIN 931	1		9
Washer	7,4 DIN 125	2		10
Nut	M 7 DIN 934	1		11
<b>Fuel tap</b>	16 72 90 516	1	} → 739 860 / 807 885	12
Seal ring	A 10x14 DIN 7603	2		13
Hose	033 109 155	1	L = 200 mm	14
Sleeve	023 104 269	2		—
<b>Fuel tap</b>	16 72 01 505	1	{ 739 861 / 807 886 →	15
Strainer	16 72 00 905	1		16
Seal ring	16 72 00 903	1		—
Nut	16 72 00 904	1		17
Seal ring	16 72 00 901	1		18
Connector	16 72 00 900	1		19
Nut	16 72 00 902	1	20	

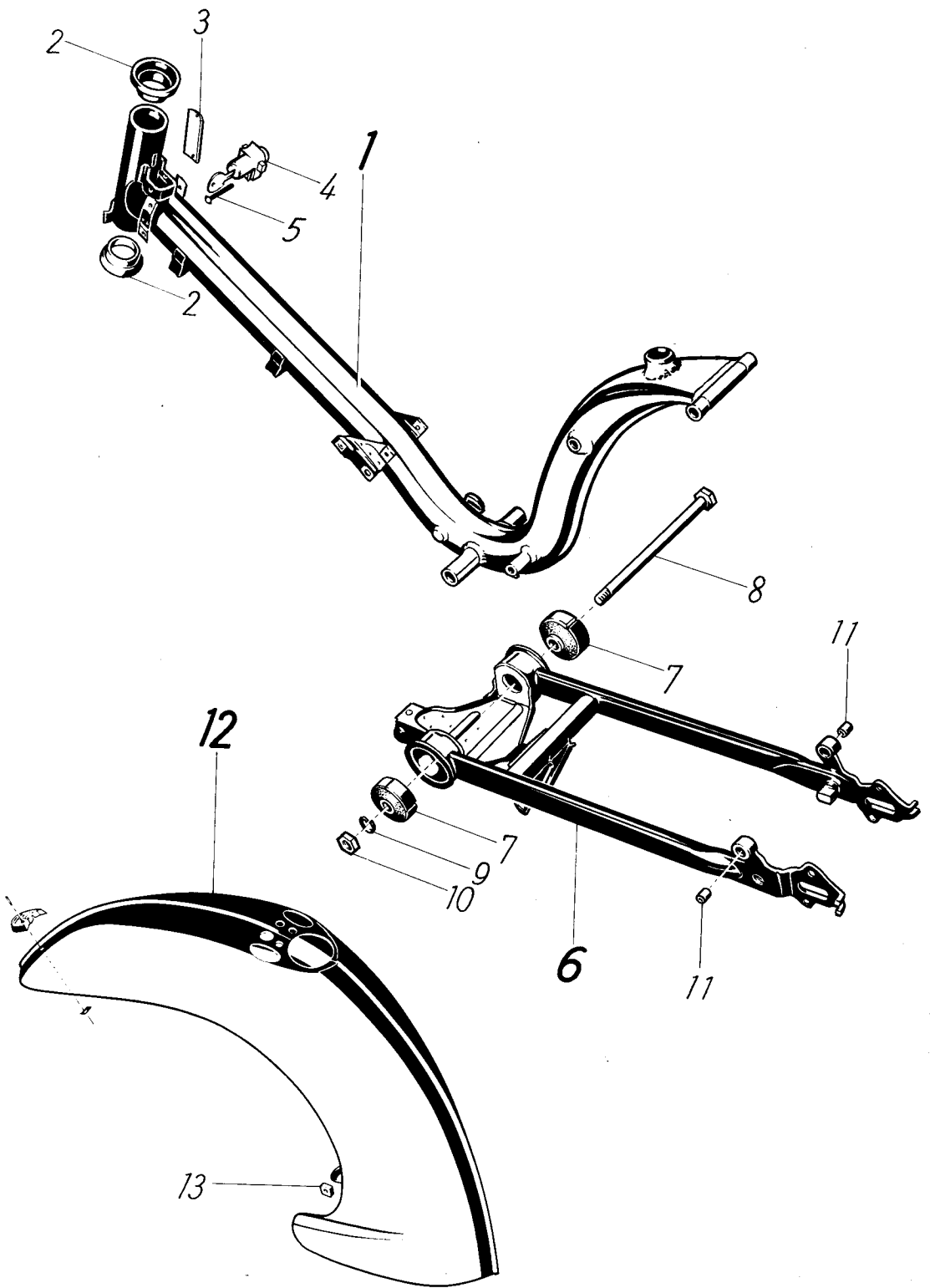
Description	Order-No.	Quantity	Remarks	Illustr.-No.
<b>QUICKLY</b>				
<b>Cavallino</b>				
	1 2 3			
<b>Headlamp</b> with dipper switch and horn button	16 81 90 529	1		1
<b>Headlamp, adapter</b>	16 81 50 945	1		2
Glass retainer ring	16 81 54 914	1		3
Lens	16 81 54 915	1		4
Spring	16 81 50 944	3		5
Reflector	16 81 54 923	1		6
Spring	16 81 50 946	1		—
Spring	16 81 50 947	1		—
Socket	16 81 50 948	1		—
Screw	M 4x5x1,6 DIN 922	4		—
Screw	M 2,6x6 DIN 84	1		—
Bulb for headlamp	016 096 826	1		11
Switch lever	16 81 52 905	1		12
Insulation plate	16 81 50 933	1		13
Contact-plate	16 81 51 920	1		14
Contact bridge	16 81 51 906	1		15
Spring	16 81 51 907	1		16
U-Washer	16 81 51 908	1		17
Split pin	1x15 DIN 94	1		18
Spring washer	B 8 DIN 127	2		19
Screw	M 8x12 DIN 933	2		20
Rubber ring for cable	16 81 51 912	2		21
Rubber ring for flexible drive	16 81 50 934	1		22
Angle	16 81 50 910	1		23
Spring washer	A 4 DIN 137	1		24
Knurled screw	16 81 50 911	1		25
<b>Dipswitch</b> and horn button	16 81 50 904	1		—
Strap for dipswitch	16 81 50 927	1		—
Lead	16 81 50 903	1		—
<b>Tail lamp</b>	16 81 02 502	1		—
Terminal screw	16 81 50 932	1		—
Cap	16 81 51 901	1		26
Screw for cap	16 81 51 900	1		27
Spring clip	16 81 50 941	1		28
Rubber pead	16 81 02 002	1		29
Lock washer	A 5,3 DIN 6798	1		30
Nut	M 5 DIN 934	1		31
Bulb	026 104 311	1	H 6 V 2 W	—
<b>Cable harness</b>	16 81 90 528	1		—
Protective sleeve	16 81 00 012	1		—
<b>Cable:</b> (engine-headlamp)	16 81 00 007	1		—
<b>Cable:</b> (headlamp-rearlamp)	16 81 01 001	1		—





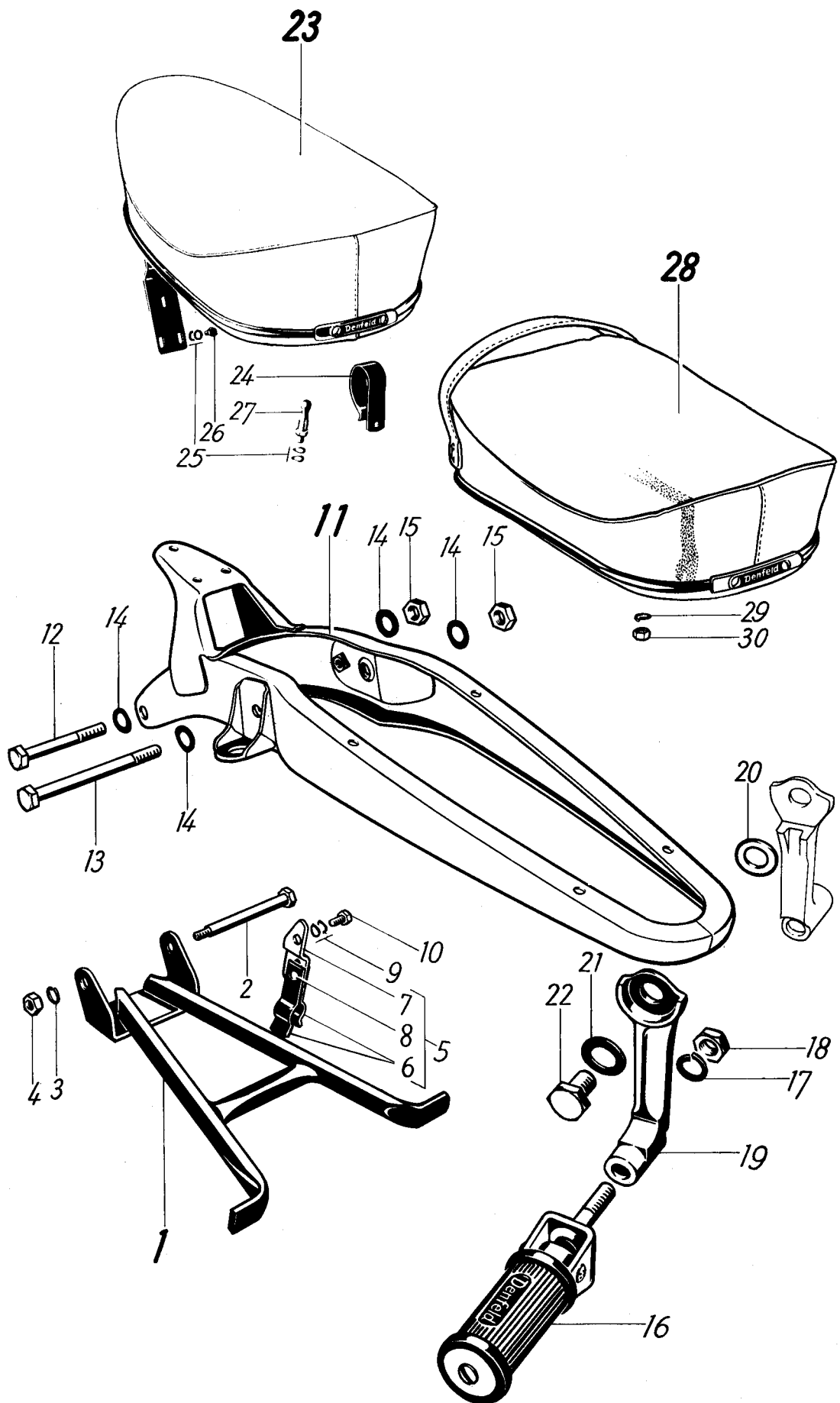
Description	Order-No.	Quantity	Remarks	Illustr.-No.
<b>QUICKLY Cavallino</b>				
<b>Tool box</b>	16 73 90 504	1		1
Screw for lid	16 73 90 902	1		2
Nut	16 73 90 903	1		3
Screw	M 6x12 DIN 933	2		4
Spring ring	B 6 DIN 127	2		5
Washer	6,4 DIN 125	2		6
<b>Tool kit</b>	16 91 90 920	1	→ 733 142 / 805 276 (moreover alternatively with 16 91 00 900 733 143 / 805 277 → → 738 200 / 807 506)	—
Spanner	11 91 00 600	1	8x9 mm	7
Spanner	11 91 00 601	1	10x11 mm	8
Spanner	16 91 01 004	1		9
Screw driver	16 91 00 003	1		10
Spark plug spanner	16 91 00 002	1		11
<b>Tool kit</b>	16 91 00 900	1	738 201 / 807 507 → (moreover alternatively with 16 91 90 920 733 143 / 805 277 → → 738 200 / 807 506)	—
Spanner	16 91 00 004	1		—
Spanner	11 91 00 600	1	8x9 mm	—
Spanner	11 91 00 601	1	10x11 mm	—
Screw driver	16 91 00 003	1	} s. Illustr. No 7, 8, 10, 11	—
Spark plug spanner	16 91 00 002	1		—
Tommy bar	16 91 00 005	1	7 mm diam L = 118 mm	—
<b>Tyre inflation pump</b>	16 93 01 502	1		—
<b>Speedometer (M. P. H.)</b>	16 92 90 509	1		32
Gasket ring	16 92 91 909	1		33
Nut	16 92 90 910	1		34
Speedometer drive	16 92 90 508	1	L = 700 mm	—
Speedometer drive gear	16 92 90 507	1	→ 733 142 / 805 276 (moreover alternatively with 16 92 91 507 733 143 / 805 277 → → 738 200 / 807 506)	—
Speedometer drive gear	16 92 91 507	1	738 201 / 807 507 → (moreover alternatively with 16 92 90 507 733 143 / 805 277 → → 738 200 / 807 506)	—
Luggage carrier	16 93 90 904	1	} optional	—
Pillion footrests	16 93 90 906	1 Pair		—

Description	Order-No.	Quantity	Remarks	Illustr.-No.
<b>QUICKLY-T</b>				
<b>Frame</b>	29 31 00 900	1		1
Steering head race	023 103 927	2		2
Nameplate	29 31 00 020	1	{ not supplied without stamped number	3
Grooved stud	2x3 DIN 1476	2		—
Steering-head lock	29 31 00 504	1	{ order spare keys from manufacturer	4
Rivet	5x32 DIN 660	1		5
<b>Rear fork</b>	29 32 00 501	1		6
Ring	29 32 00 027	2		7
Axle pin	29 32 00 508	1		8
Spring ring	A 14 DIN 127	1		9
Nut	M 14x1,5 DIN 936	1		10
Bush	29 41 00 013	2		11
<b>Front mudguard</b>	29 33 00 501	1		12
Nut	M 8 DIN 557	2	for swinging link mounting	13
Numberplate	16 33 00 010	1		—

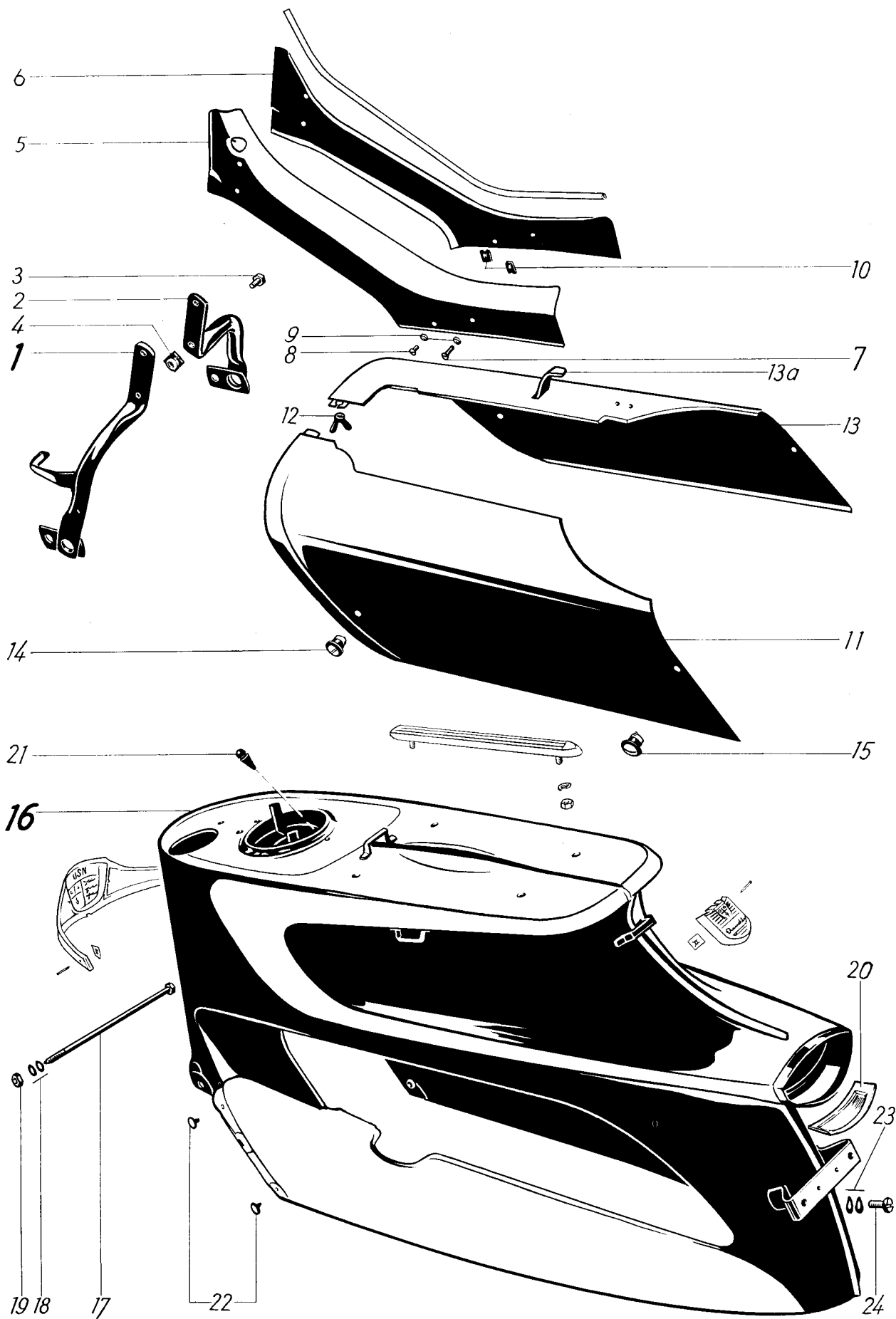


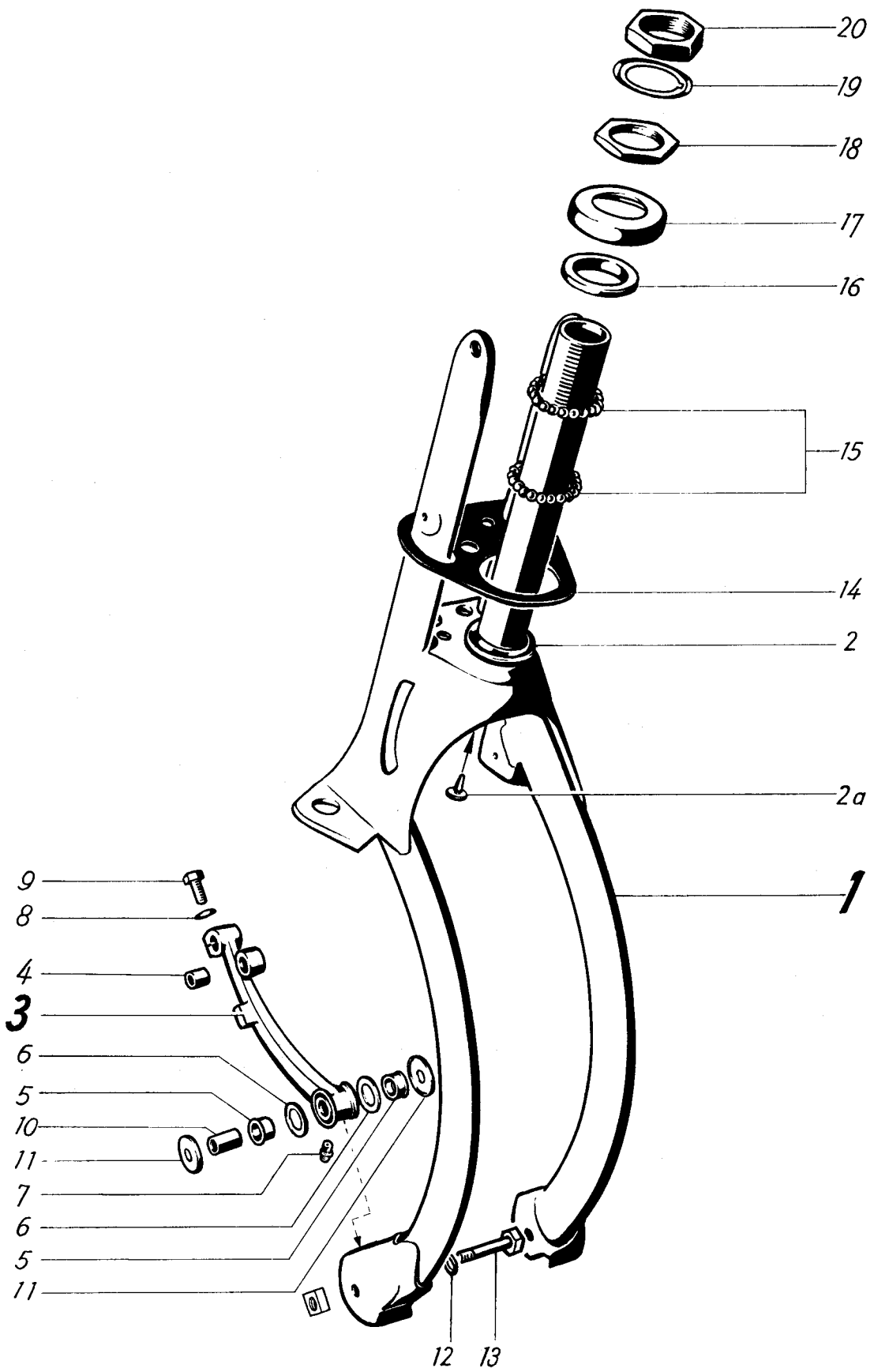
Description	Order-No.	Quantity	Remarks	Illustr.-No.
<b>QUICKLY - T</b>				
<b>Centre stand</b>	29 35 00 501	1	} not supplied → 2 906 849 / 2 906 882	1
Bolt	29 35 00 005	1		2
Spring ring	B 8 DIN 127	1		3
Nut	M 8 DIN 934	1		4
<b>Centre stand</b>	29 35 01 501	1	} 2 906 850 / 2 906 883 → for vehicles prior to 2 906 850 / 2 960 883 mounting parts should be ordered with this part  } Mounting parts	—
Bolt	29 35 01 005	2		—
Spring washer	B 12 DIN 137	2		—
Spring washer	B 10 DIN 137	2		—
Nut	M 10x1 DIN 936	2		—
<b>Spring</b>	29 35 00 504	1		
Spring	29 35 00 009	2		6
Clevis link	29 35 00 010	1		7
Rivet	5x12 DIN 660	1		8
Spring washer	B 6 DIN 137	2		9
Screw	M 6x12 DIN 933	1		10
<b>Carrier</b>	29 36 00 501	1		11
Screw	M 10x1x75 DIN 960	1		12
Screw	M 10x1x115 DIN 960	1		13
Spring washer	A 10 DIN 137	4		14
Nut	M 10x1 DIN 936	2		15
Pedal w/reflector	—		s. page 7, Illustr. No. 38	—
<b>Pillion footrest</b>	29 37 00 501	2		16
Spring ring	B 10 DIN 127	2		17
Nut	M 10 DIN 934	2		18
Carrier	29 37 00 001	2		19
Washer, right	29 37 00 003	1		20
Spring washer	B 12 DIN 137	2		21
Screw	29 37 00 002	2		22
<b>Seat cushion</b>	29 38 00 503	1		23
Spring	29 38 00 902	5	L = 43 mm	—
Spring	29 38 00 903	10	L = 36 mm	—
Spring	29 38 00 905	2	L = 30 mm	—
Spring	29 38 00 015	1		24
Spring washer	B 6 DIN 137	8		25
Screw	M 6x15 DIN 933	3		26
Screw	29 38 00 012	1		27
<b>Pillion seat cushion</b>	29 38 00 502	1		28
Spring ring	A 6 DIN 127	4		29
Nut	M 6 DIN 934	4		30
Spring	29 38 00 904	9	L = 131 mm	—
Grip handle	29 38 00 900	1		—
Spacing washer	29 38 00 901	2		—
Screw	AM 5x20 DIN 88	2		—
Lock washer	J 5,3 DIN 6798	2		—
Nut	M 5 DIN 934	2		—





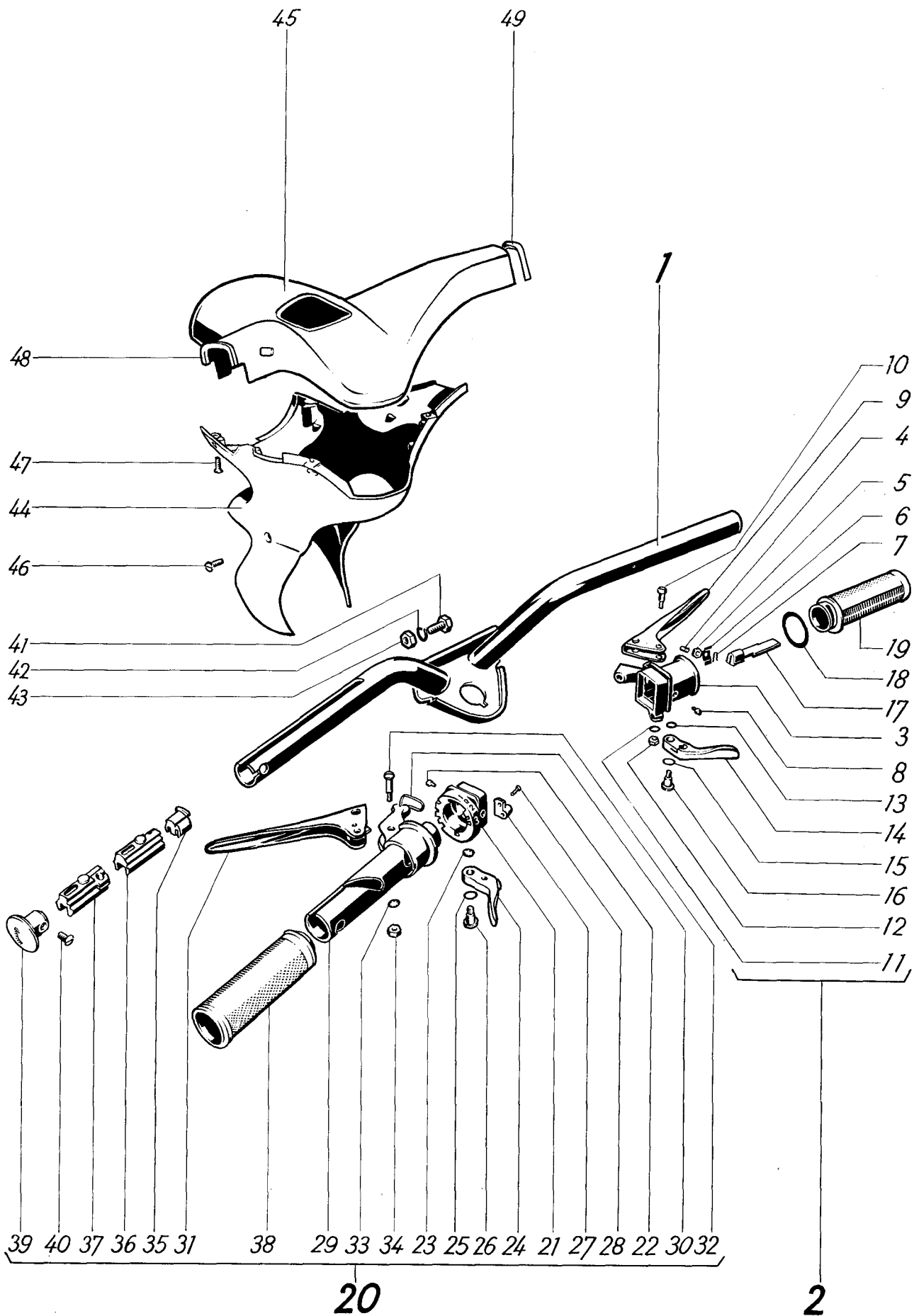
Description	Order-No.	Quantity	Remarks	Illustr.-No.
<b>QUICKLY-T</b>				
	1			
Holding tube, left	29 39 00 515	1		1
Holding tube, right	29 39 00 517	1		2
Screw	M 6x15 DIN 933	2		3
Nut holder	29 39 00 518	2	Clips M 6	4
Frame tube lagging, left	29 39 00 002	1		5
Frame tube lagging, right	29 39 00 001	1		6
Countersunk screw	B 4,2x19 DIN 7973	2	{ for fixing of holding tube left and right	7
Countersunk screw	B 4,2x13 DIN 7973	6		8
Washer	29 39 00 029	8		9
Snap nut	29 39 00 028	8		10
Engine cowl, left	29 39 00 900	1		11
Wing nut	018 096 618	1		12
Engine cowl, right	29 39 00 511	1	{ on vehicles prior to 2 906 712 / 2 906 956 the thrust pin of the carburettor must be short ened by 31,5 mm or be replaced by thrust pin 16 16 00 924 s. page 9	13
Spring	29 39 00 034	1	{ only for repair	13a
Rivet	3x6 DIN 660	2		—
Biseing element, front	29 39 00 507	2		14
Biseing element, rear	29 39 00 508	2		15
Rear cowling	29 39 00 901	1	{ for vehicles prior to 2 914 830 / 2 914 598 order also tail light, 29 81 01 501 electric bulb H 6 V 2 W 29 81 01 501 washer 29 81 01 002 base plate 29 81 00 005, threaded union 29 81 00 008 Lock washer A 4,3 DIN 6798, s. page 98	16
Grille	—	1		—
Pin	—	2		—
Pin	—	4	{ s. page 96 illustr. No. 5-9	—
Spring nut	—	6		—
Emblem	—	1		—
Screw	M 8x190 DIN 931	1		17
Spring washer	A 8 DIN 137	2		18
Nut	M 8 DIN 934	1		19
No. plate cover	29 81 00 007	1	{ → 2 914 829 / 2 914 597	20
Adhesive stripe	29 39 00 032	1		—
Rubber plug	11 40 00 031	1		21
Rubber plug	26 32 00 027	4		22
Spring washer	B 4 DIN 137	4	{ for number plate fixing	23
Cheese head screw	AM 4x10 DIN 85	2		24

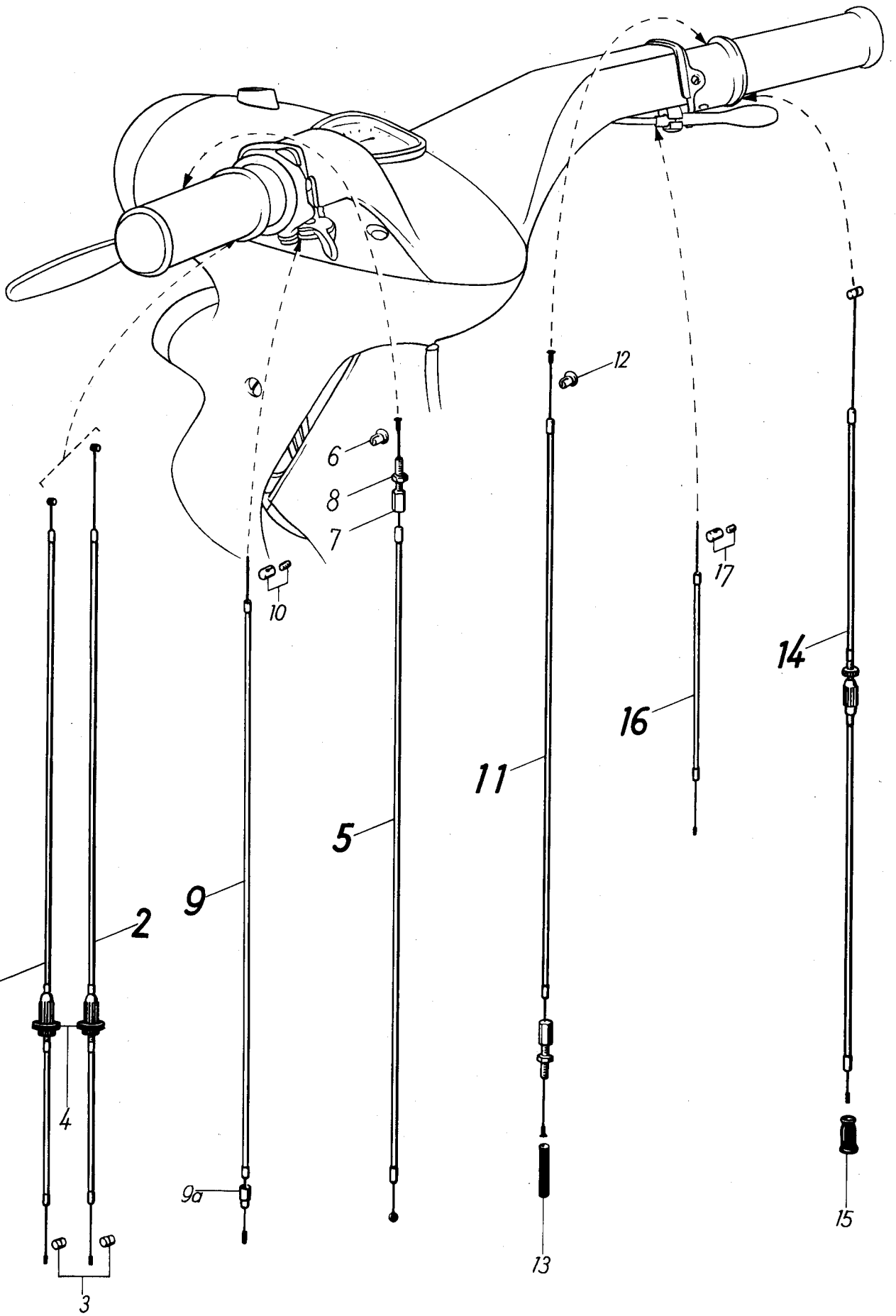




Description	Order-No.	Quantity	Remarks	Illustr.-No.
<b>QUICKLY-T</b>				
	1 2			
<b>Spring fork</b>	29 41 00 900	1	with Front wheel suspension	—
Spring fork	29 41 00 901	1		1
Cone, bottom	044 412 131	1		2
Rubber plug	26 32 00 027	1		2a
<b>Swinging link</b>	29 41 00 506	2		3
Bush	29 41 00 013	2		4
Bush	16 41 01 056	4		5
Cap inner	16 41 00 081	4		6
Grease nipple	D 6 DIN 3402	2		7
Spring washer	A 8 DIN 137	2		8
Bolt	16 41 00 045	2		9
Bush	16 41 00 055	2		10
Cap outer	16 41 00 080	4		11
Spring ring	A 8 DIN 127	2		12
Bolt	29 41 00 016	2		13
<b>Front wheel suspension</b>	—	—	s. page 95, Illustr. No. 10-26	—
Square nut	—	—	s. page 84, Illustr. No. 13	—
Cover plate, left	—	—	} s. page 96, Illustr. No. 14-17	—
Cover plate, right	—	—		—
Spring washer	—	—		—
Bolt	—	—		—
Plate	29 41 00 015	1	Rubber	14
Ball	024 049 962	each 21	5 mm diam	15
Cone	024 103 928	1		16
Cover	024 103 929	1		17
Nut	074 742 006	3	{ → 2 906 609 / 2 906 862 s. Illustr. No. 18	—
Nut	074 742 006	1	} 2 906 610 / 2 906 863 →	18
Lock plate	16 41 00 051	1		19
Nut	29 41 00 018	1		20

Description	Order-No.	Quantity	Remarks	Illustr.-No.
<b>QUICKLY-T</b>				
	1 2 3 4			
<b>Handlebar assy</b>	29 43 00 508	1	vor vehicles prior to 2 906 610/2 906 863 order also these nut 29 41 00 018 and lock plate 16 41 00 051 s. page 87	—
Handlebar tube	29 43 00 502	1		1
<b>Throttle twistgrip</b>	29 43 00 507	1		—
Twistgrip housing	29 44 00 909	1		3
Adjusting screw	16 44 01 922	1		4
Nut	BM 5 DIN 439	1		5
Brake spring	29 44 00 911	1		6
Spring	29 44 00 912	1		7
Grup screw	11 44 00 910	1		8
Brake lever	29 44 00 910	1		9
Bolt	16 44 00 903	1		10
Lock washer	J 5,3 DIN 6797	1		11
Nut	M 5 DIN 934	1		12
Lock washer	J 5,3 DIN 6797	1		13
Slider	024 106 412	1		17
Washer	16 44 01 921	1		18
Twist grip sleeve	16 44 02 901	1		19
Rubber grip	16 44 02 904	1		—
<b>Gear change twistgrip</b>	29 43 01 506	1		20
Twistgrip housing	29 44 00 900	1	21	
Screw	11 44 00 910	1	22	
Lock washer	J 5,3 DIN 6797	1	23	
Release lever	16 44 01 909	1	→ 2 909 059 / 2 909 120 24	
Release lever	16 44 03 909	1	2 909 060 / 2 909 121 → —	
Spring washer	16 44 01 923	1	25	
Bolt	M 5x8 DIN 923	1	26	
Support	29 44 00 908	1	27	
Screw	AM 3x8 DIN 63	1	28	
Grip	29 44 00 903	1	29	
Stirrup	16 44 00 910	1	30	
Clutch lever	16 44 01 907	1	31	
Bolt	16 44 00 908	1	32	
Lock washer	J 5,3 DIN 6797	1	33	
Nut	M 5 DIN 934	1	34	
Cable bracket	29 44 00 907	1	35	
Slider	29 44 00 905	1	36	
Slider	29 44 00 906	1	37	
Twist grip sleeve	29 44 00 901	1	38	
Rubber grip	014 110 027	1	—	
Cap	29 44 00 904	1	39	
Screw	11 44 20 992	1	40	
Bolt	M 8x18 DIN 933	2	41	
Spring ring	B 8 DIN 127	2	42	
Nut	M 8 DIN 934	2	43	
<b>Handlebar cowling</b>				
lower	29 43 00 005	1	44	
<b>Handlebar cowling</b>				
upper	29 43 00 004	1	45	
Screw	AM 6x15 DIN 91	2	46	
Screw	AM 5x18 DIN 91	6	47	
Rubber moulding, left	29 43 00 006	1	48	
Rubber moulding, right	29 43 00 007	1	49	

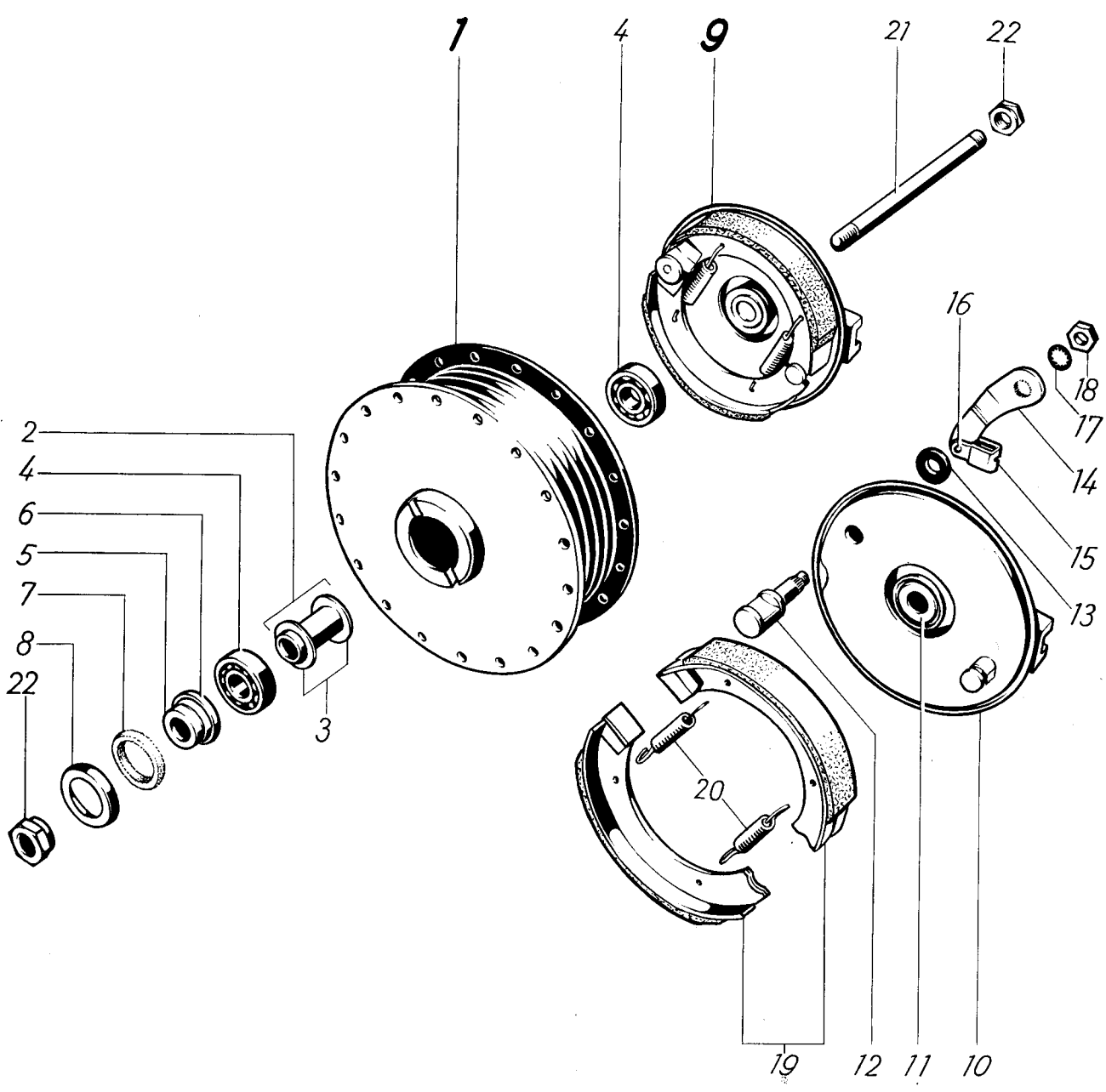


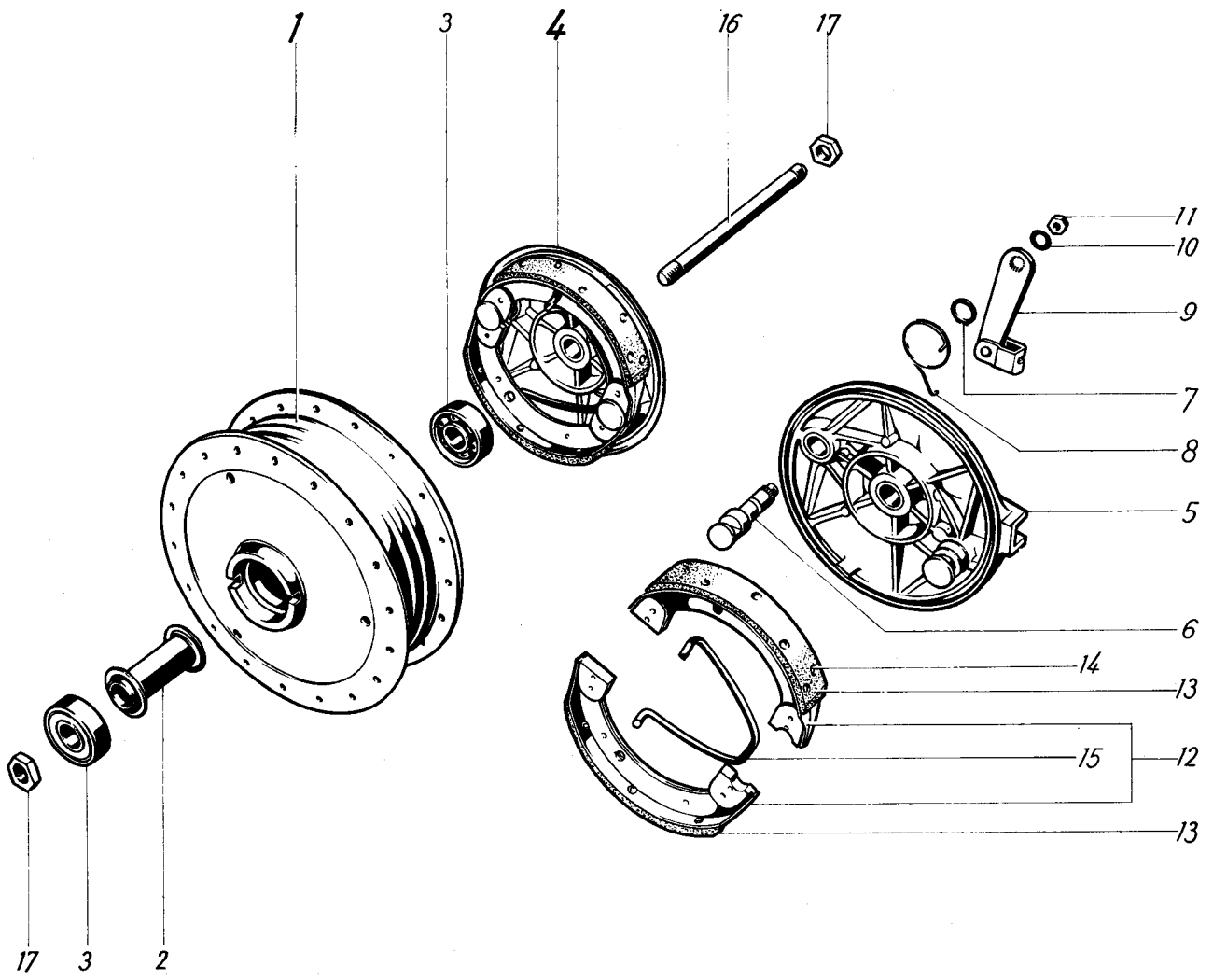




Description	Order-No.	Quantity	Remarks	Illustr.-No.
<b>QUICKLY-T</b>				
	1 2			
<b>Gear change cable</b>	29 44 00 504	1	} 3 Gears	1
<b>Gear change cable</b>	29 44 00 507	1		2
Nipple	16 44 00 056	2		on driver disc (gearing)
Rubber ring	29 44 00 002	2		4
<b>Control cable for clutch</b>	29 44 00 503	1		5
Nipple seat	16 44 00 023	1		6
Cable adjuster	16 44 00 046	1		7
Nut	16 44 00 049	1		8
Protecting sleeve	29 44 00 003	1	L = 270 mm	—
Protecting sleeve	29 44 00 004	1	L = 120 mm	—
<b>Decompressor cable</b>	16 44 01 504	1	L = 750 mm 2 909 060/2 909 121 → → 2 913 020/2 913 167	9
<b>Decompressor cable</b>	29 44 01 505	1	L = 729 mm 2 913 021/2 913 168 →	—
Nipple seat	16 44 00 931	1		9a
Circlip	4 DIN 6799	1		—
Protecting sleeve	29 44 00 006	1		—
Nipple	16 44 00 511	1		10
<b>Front brake cable</b>	29 44 00 502	1		11
Nipple seat	16 44 00 023	1		12
Protecting sleeve	29 44 00 001	1		13
Rubber cable	29 44 00 005	1		—
<b>Throttle cable</b>	29 44 00 501	1		14
Rubber sleeve	16 44 00 025	1		15

Description	Order-No.	Quantity	Remarks	Illustr.-No.
			<b>QUICKLY-T</b>	
	1 2			
<b>Front wheel</b>	—	—	} with Pränafa-hub brake plate of sheet ivon is not supplied, order NSU-type s. page 91	—
Rim	29 52 00 015	1		—
Spoke	29 51 00 600	36	M 3x206 mm	—
Nipple	025 104 183	36	M 3	—
<b>Hub</b>	29 51 00 900	1		1
Spacer	29 51 00 902	1		2
Dust cover	29 51 00 904	2		3
Ball bearing	021 105 512	2	12x32x10 mm	4
Thrust rod	29 51 00 905	1		5
Nilos-Ring	29 51 00 906	1		6
Felt washer	29 51 00 907	1		7
Dust cover	29 51 00 908	1		8
<b>Front brake</b>	29 51 00 909	1		9
Brake plate	29 51 00 910	1	sheet ivon type	10
Nilos-Ring	29 51 00 906	1		11
Brake operating cam	29 51 00 911	1		12
Washer	29 51 00 912	1	Rubber	13
Brake lever	29 51 00 913	1		14
Clevis link	29 51 00 914	1	} for repair	15
Rivet	3x10 DIN 660	1		16
Lock washer	J 8,4 DIN 6798	1		17
Nut	M 8x1 DIN 936	1		18
Brake shoe	29 51 00 915	2		19
Spring	29 51 00 916	2		20
Spindle	29 51 00 917	1		21
Nut	025 103 744	2		22
Well filler	23—2,00	—	} not supplied	—
Inner tube	23—2,25	—		—
Tyre	23—2,25	—		—

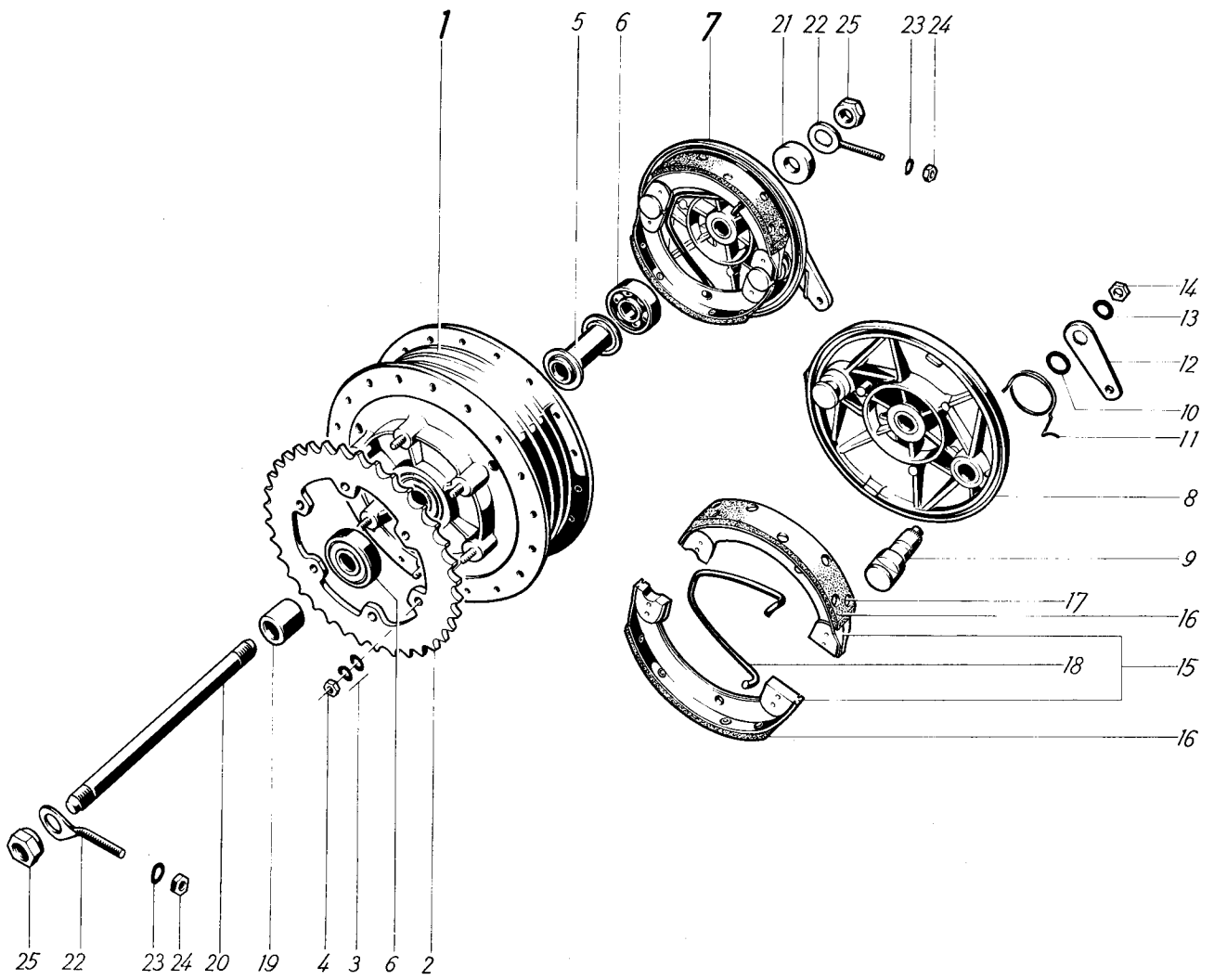




Description	Order-No.	Quantity	Remarks	Illustr.-No.
<b>QUICKLY-T</b>				
				1 2
<b>Front wheel</b>	29 51 00 919	1	} NSU-production brake disk in cast iron	—
Rim	29 52 00 015	1		—
Spoke	29 52 00 024	36		—
Nipple	025 104 183	36	M 3	—
<b>Front wheel hub</b>	29 51 00 920	1		—
Hub	29 51 00 507	1		1
Spacer	29 51 00 513	1		2
Ball bearing	29 51 00 025	2	12x37x12 mm	3
<b>Front brake</b>	29 51 00 509	1		4
Brake plate	29 51 00 508	1	Cast iron	5
Brake operating cam	29 51 00 012	1		6
Seal ring	075 751 030	1		7
Spring	29 51 00 019	1		8
Brake lever	29 51 00 510	1		9
Spring washer	B 7 DIN 137	1		10
Nut	16 52 01 043	1		11
<b>Brake shoe</b>	29 51 00 501	2		12
Lining	29 51 00 020	2		13
Rivet	B 3x7 DIN 7338	14		14
Spring	29 51 00 014	1		15
Spindle	29 51 00 006	1		16
Nut	025 103 290	2		17
Well filler	23—2,00	—	} not supplied	—
Inner tube	23—2,25	—		—
Tyre	23—2,25	—		—

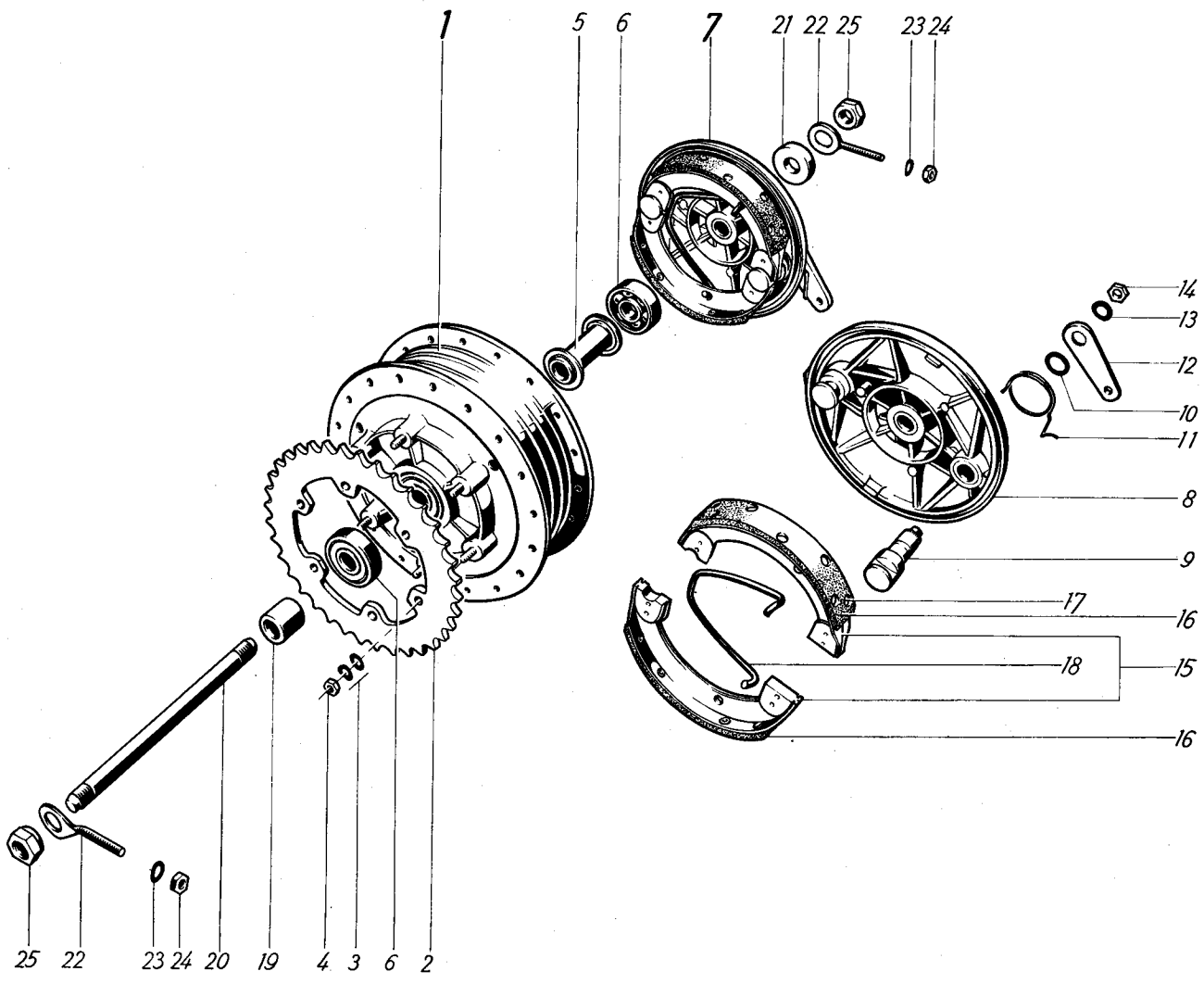
Description	Order-No.	Quantity	Remarks	Illustr.-No.	
<b>QUICKLY-T</b>					
	1 2				
<b>Rear wheel</b>	—	—	} with Pränafa-hub brake plate of sheet ivon is not supplied, order NSU-type s. page 93	—	
Rim	29 52 00 015	1		—	
Spoke	29 51 00 600	36	M 3x206 mm	—	
Nipple	025 104 183	36	M 3	—	
① Hub	29 52 00 900	1		1	
Bolt	M 8x30 DIN 931	6	12 mm Thread	2	
Sprocket	29 52 00 903	1	36 No of teeth	3	
Shim	29 52 00 904	6	14x8,5x0,5 mm	4	
Lock washer	J 8,4 DIN 6798	6		5	
Nut	M 8 DIN 934	6		6	
Spacer	29 52 00 901	1		7	
Dust cover	29 51 00 904	2		8	
Ball bearing	021 105 512	2	12x32x10 mm	9	
Thrust rod	29 52 00 902	1		10	
Nilos-Ring	29 51 00 906	1		11	
Felt washer	29 51 00 907	1		12	
Dust cover	29 51 00 908	1		13	
<b>Rear brake</b>	29 52 00 905	1		14	
Brake plate	29 52 00 906	1	sheet ivon type	15	
Nilos-Ring	29 51 00 906	1		16	
Brake cam	29 51 00 911	1		17	
Washer	29 51 00 912	1	Rubber	18	
Brake lever	29 52 00 907	1		19	
Lock washer	J 8,4 DIN 6798	1		20	
Nut	M 8x1 DIN 936	1		21	
Brake shoe	29 51 00 915	2		22	
Spring	29 51 00 916	2		23	
Spindle	29 52 00 908	1		24	
Nut	025 103 744	2		25	
Chain adjusting screw	29 52 00 013	2		26	
Spring washer	B 6 DIN 137	2		27	
Nut	M 6 DIN 934	2		28	
Well filler	23—2,00	—	} for one - seater	—	
Inner tube	23—2,25	—		} not supplied	—
Tyre	23—2,25	—			—
Inner tube	23—2,5	—	} for dual seat	—	
Tyre	23—2,5	—		—	

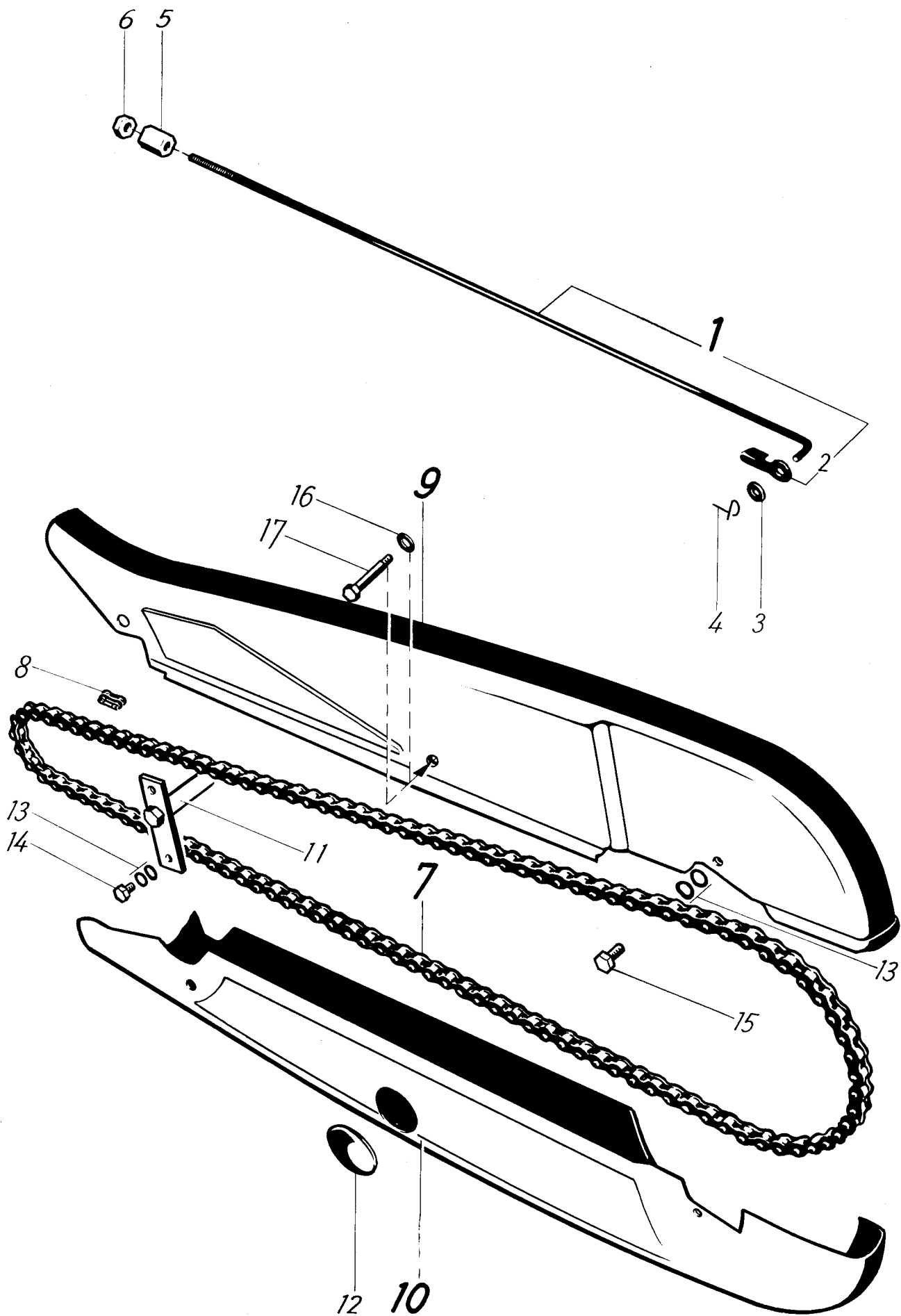
① when replacing the complete NSU-hub  
order also the spokes 29 52 00 024  
(see page 93)



Description	Order-No.	Quantity	Remarks	Illustr.-No.	
<b>QUICKLY-T</b>					
	1 2				
<b>Rear wheel, without brake</b>	29 52 01 909	1	{ NSU type (cast brake plate)	—	
Rim	29 52 00 015	1		—	
Spoke	29 52 00 024	36		—	
Nipple	025 104 183	36	M 3	—	
<b>Rear wheel hub</b>	29 52 01 910	1		—	
Hub	29 52 01 512	1	{ when ordering a hub for vehicles prior to 2 920 641 / 2 920 549 the toothed rim with bores of 5,2 mm must be opened to 6,2 mm Ø. Eventual ordering of a new toothed rim 29 52 01 002	1	
Sprocket	29 52 00 002	1	{ 36 No. of teeth → 2 920 640 / 2 920 548	2	
Spring washer	B 5 DIN 137	12		3	
Nut	M 5 DIN 934	6		4	
Sprocket	29 52 01 002	1	{ 36 No of teeth 2 920 641 / 2 920 549 →	—	
Spring-washer	B 6 DIN 137	12		—	
Nut	M 6 DIN 934	6		—	
Spacer	29 51 00 513	1		5	
Bearing	29 51 00 025	2	12x37x12 mm	6	
<b>Rear brake</b>	29 52 00 509	1		7	
Brake plate	29 51 00 508	1	Cast type	8	
Brake operating cam	29 51 00 012	1		9	
Seal ring	075 751 030	1		10	
Spring	29 52 00 007	1		11	
Brake lever	29 52 00 023	1		12	
Spring washer	B 7 DIN 137	1		13	
Nut	16 52 01 043	1		14	
<b>Brake shoe</b>	29 51 00 501	2		15	
Lining	29 51 00 020	2		16	
Rivet	B 3x7 DIN 7338	14		17	
Spring	29 51 00 014	1		18	
Spacer, left	29 52 00 016	1		19	
Spindle	29 52 00 001	1		20	
Spacer, right	29 52 00 017	1		21	
Chain adjusting screw	29 52 00 013	2		22	
Spring washer	B 6 DIN 137	2		23	
Nut	M 6 DIN 934	2		24	
Nut	025 103 744	2		25	
Well filler	23—2,00	—	{ for one - seater } not supplied	—	
Inner tube	23—2,25	—		—	
Tyre	23—2,25	—		—	
Inner tube	23—2,5	—		{ for dual seat }	—
Tyre	23—2,5	—			—





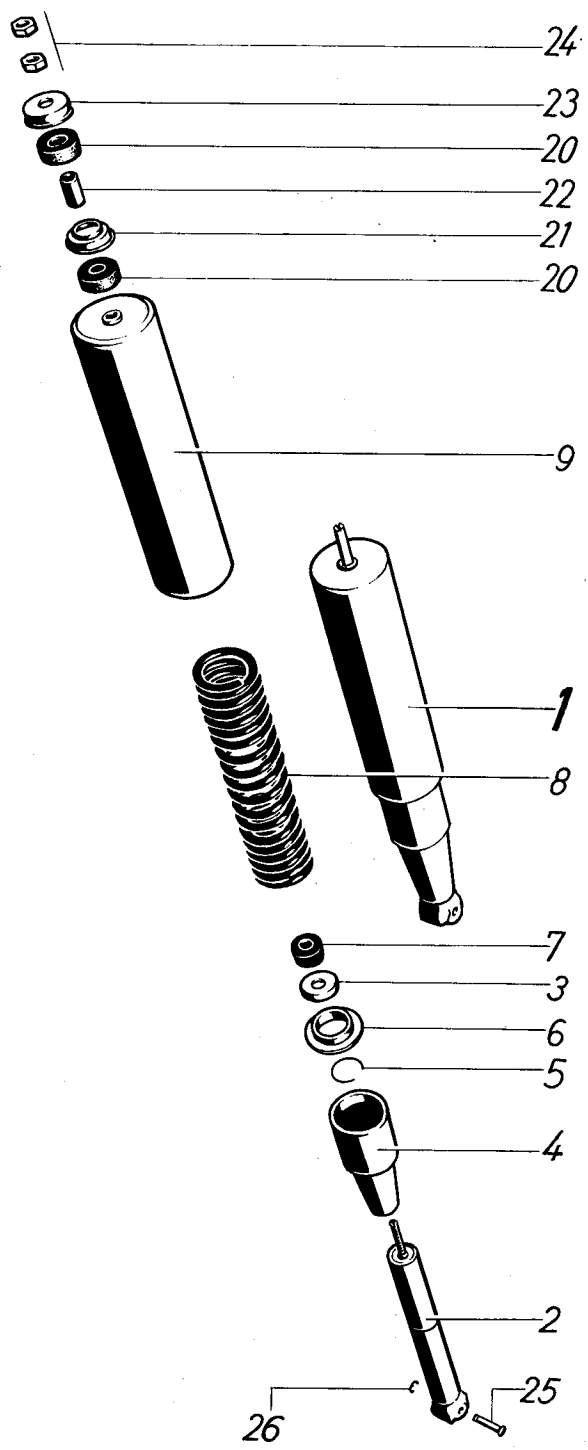
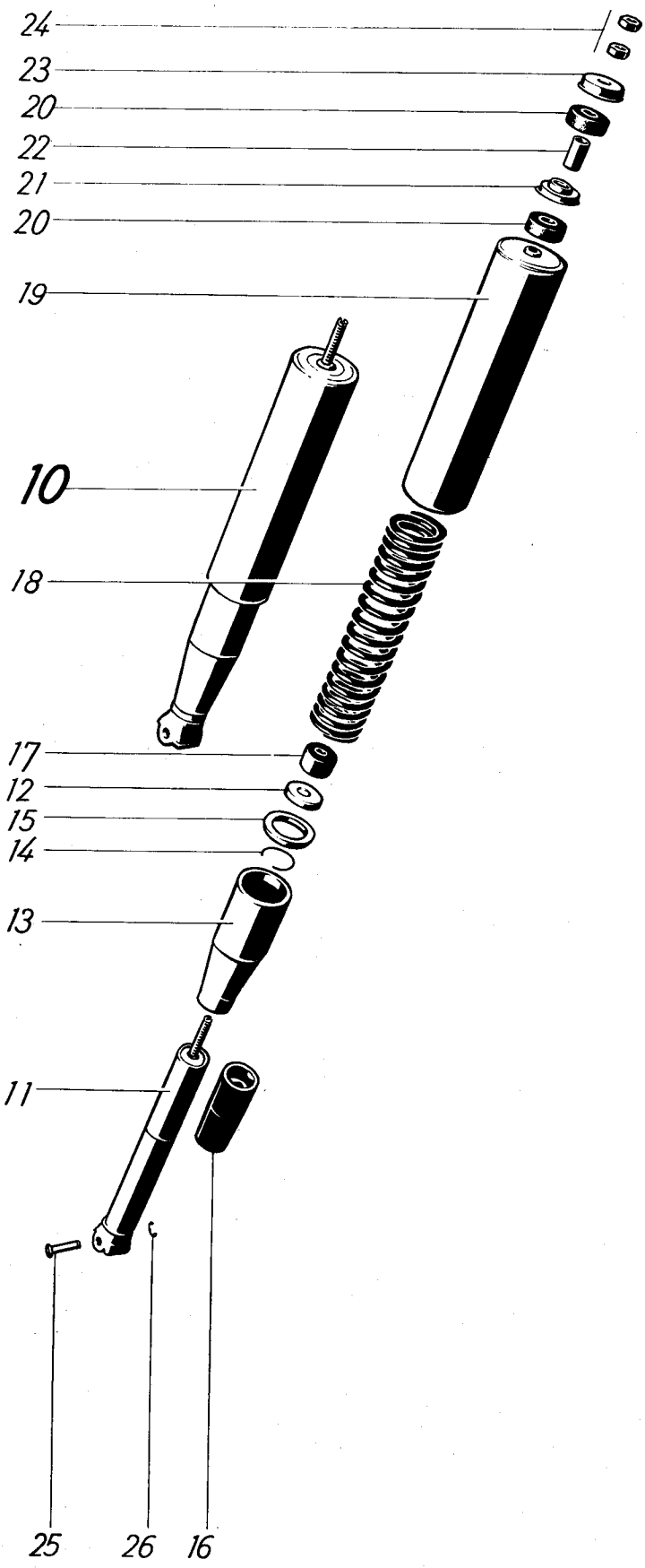


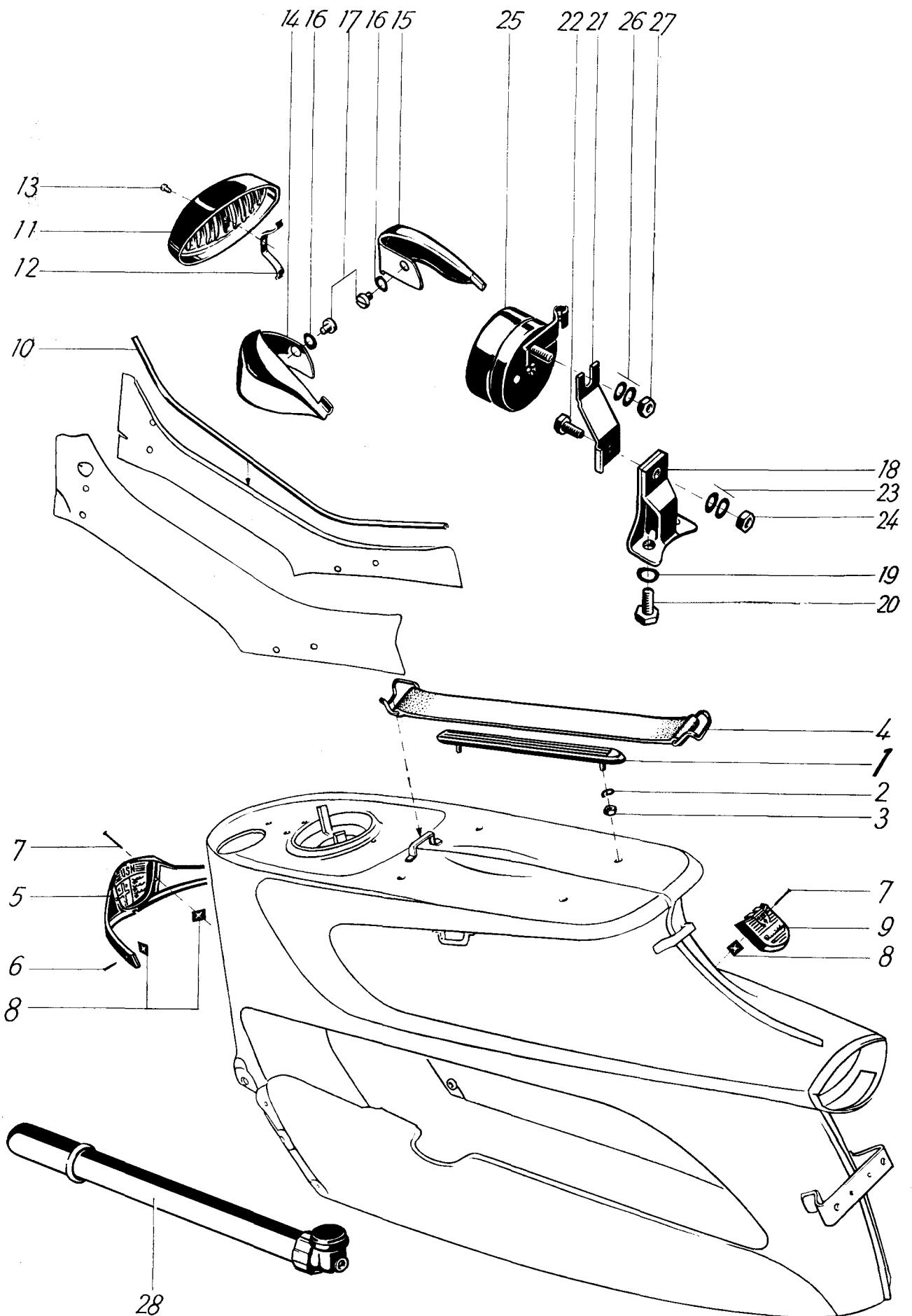
Description	Order-No.	Quantity	Remarks	Illustr.-No.
<b>QUICKLY-T</b>				
				1 2
<b>Brake rod</b>	16 53 01 502	1	} L = 557 mm 5,2x12x1 mm for type with Pränafo-hub	1
Lock plate	025 100 655	1		2
Washer	125 059 963	1		3
Locking spring	11 53 00 819	1		4
Nut	16 53 01 003	1		5
Nut	M 5 DIN 934	1		6
<b>Brake rod</b>	29 53 00 900	1	for type with NSU-hub	—
Brake rod	29 53 00 501	1	L = 490 mm	—
Lock plate	025 100 655	1	} 5,2x12x1 mm s. page 51 Illustr. No. 13-19	—
Washer	125 059 963	1		—
Locking spring	11 53 00 819	1		—
Clevis link	16 53 00 006	1		—
Nut	M 5 DIN 934	2		—
Pin	16 53 00 005	1		—
Circlip	5 DIN 6799	1	—	—
<b>Chain</b>	16 54 00 600	1	112 Link 1 E 12,7x4,88 DIN 8180	7
Connecting link	16 54 00 601	1	1 E 12,7x4,88 DIN 8180	8
<b>Chaincase, upper section</b>	29 54 00 501	1	} for vehicles prior to 2 904 983 / 2 905 091 order also } spring washer B 7 DIN 137 and 1 Collar screw 29 54 00 010	9
<b>Chaincase, lower section</b>	29 54 00 502	1		10
Chaincase mounting	29 54 00 503	1		11
Cover plate	075 754 021	1		12
Spring washer	B 6 DIN 137	8		13
Bolt	M 6x6 DIN 933	2		14
Bolt	M 6x12 DIN 933	2		15
Washer	7,4 DIN 125	1		16
Bolt	29 54 00 010	1		17

Description	Order-No.	Quantity	Remarks	Illustr.-No.
<b>QUICKLY-T</b>				
	1 2 3 4			
① Rear spring unit	29 56 00 501	2	for one-seater } → 2 915 037 / 2 913 951 is not supplied	—
① Rear spring unit	29 56 00 510	2	for dual seat } 29 56 01 510 order	—
Rear spring unit	29 56 01 510	2	2 915 038 / 2 913 952 →	1
Shock absorber	29 56 00 502	2		2
Cover cap	29 57 00 030	2		3
Rubber ring (height 30 mm)	29 56 00 021	2	→ 2 915 037 / 2 913 951 order also	—
Cover sleeve	29 56 00 014	2		4
Circlip	29 56 00 016	2		5
Ring	29 56 00 015	2		6
Stop	29 57 00 016	2	height 15 mm → 2 915 037 / 2 913 951	7
Stop	29 56 00 020	2	height 5 mm 2 915 038 / 2 913 952 →	—
① Rear spring (thickness of wire 5,3 mm)	29 56 00 011	2	for one-seater } → 2 915 037 / 2 913 951 is not supplied	8
① Rear spring (Thickness of wire 6 mm)	29 56 00 005	2	for dual seat } 29 56 01 005 order	—
Rear spring (thickness of wire 5,3 mm)	29 56 01 005	2	2 915 038 / 2 913 952 →	—
Protection tube	29 56 00 506	2		9
② Front spring unit	29 57 00 501	2	→ 2 915 037 / 2 913 951 is not supplied 29 57 01 501 order	—
Front spring unit	29 57 01 501	2	2 915 038 / 2 913 952 →	10
Shock absorber	29 57 00 502	2		11
Cover cap	29 57 00 030	2		12
Cover sleeve	29 57 00 031	2		13
Circlip	29 56 00 016	2		14
Ring	29 57 00 032	2		15
Protection sleeve	29 57 00 015	2		16
Stop	29 57 00 016	2	height 15 mm	17
② Front spring (thickness of wire 4,5 mm)	29 57 00 017	2	→ 2 915 037 / 2 913 951 is not supplied 29 57 01 017 order	18
Front spring (thickness of wire 4,5 mm)	29 57 01 017	2	2 915 038 / 2 913 952 →	—
Protection tube	29 57 00 506	2		19
Rubber ring for balancing	29 57 00 021	each 4		20
Balancing cup	29 57 00 023	each 2		21
Spacer bush	29 57 00 022	each 2		22
Balancing cap	29 57 00 024	each 2		23
Nut	29 57 00 035	each 4		24
Bolt	29 57 00 025	each 2		25
Circlip	6 DIN 6799	each 2		26

① Doing repairs on machines prior to No. 2 915 038 / 2 913 952 exchange rear wheel suspension in pairs, resp. use rear wheel springs (part No. 29 56 01005) of wire gauge 5,3 mm with one stop-ring each at top (part No. 29 56 00 020), height 5 mm.

② Doing repairs prior to machine-No. 2 915 038 / 2 913 952 exchange front wheel suspension resp. front wheel springs in pairs.

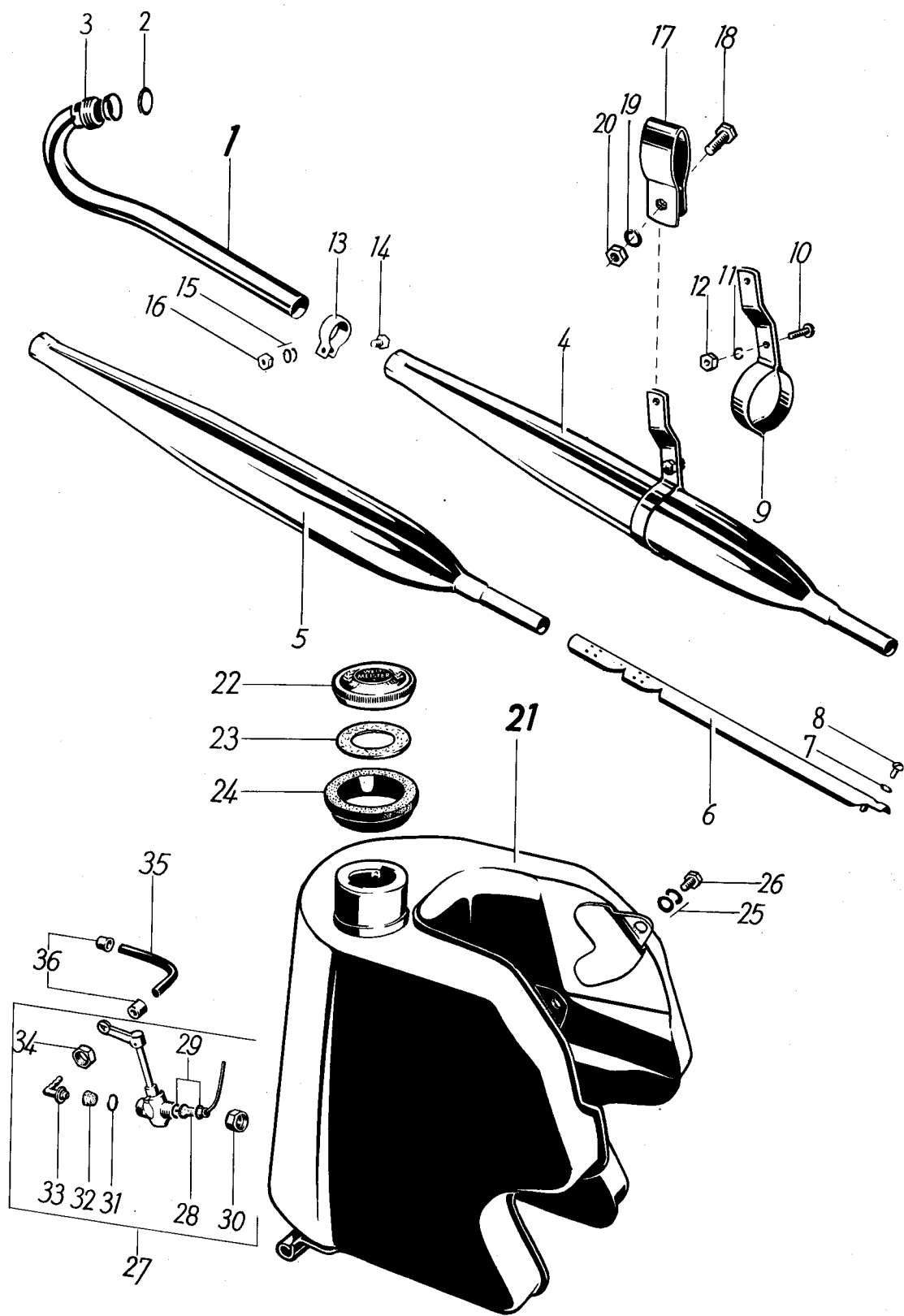


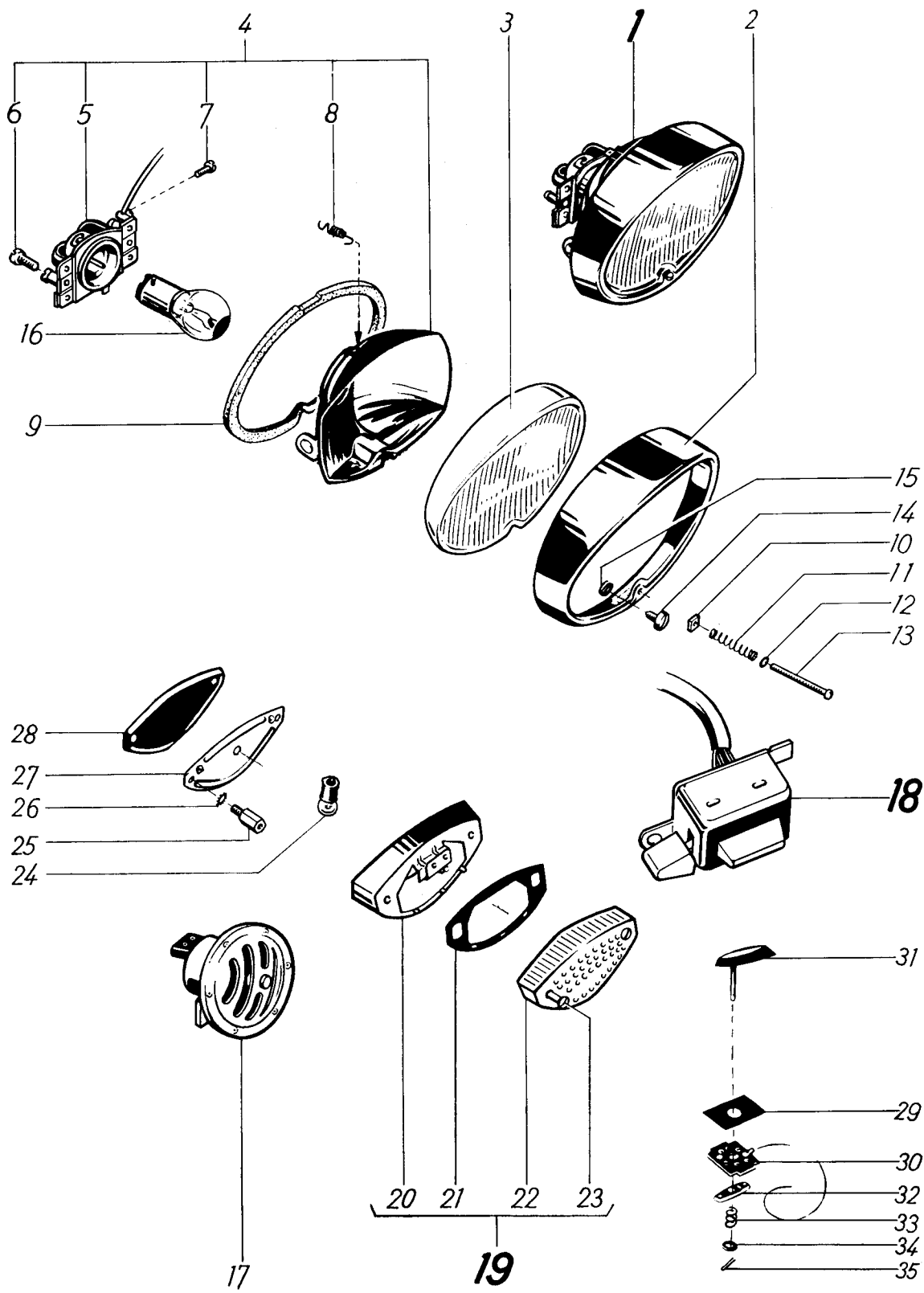


Description	Order-No.	Quantity	Remarks	Illustr.-No.
<b>QUICKLY-T</b>				
	1			
<b>Luggage strip</b>	29 66 00 510	2		1
Spring ring	A 6 DIN 127	2		2
Nut	M 6 DIN 934	4		3
Strap	16 93 00 520	1	Rubber	4
<b>Grille for rear cowling</b>	29 66 00 018	1		5
Pin	29 66 00 023	2	short	6
Pin	29 66 00 008	4	long	7
Nut	40 66 00 216	8		8
<b>Emblem, front and rear</b>	29 66 00 019	2	→ 2 914 829 / 2 914 597	9
Emblem, front	29 66 00 019	1	} 2 914 830 / 2 914 598 →	—
Emblem, rear	29 66 00 027	1		—
Pin	29 66 00 023	2	short	—
Rubber moulding	29 66 01 011	1		10
<b>Cover plate</b>	29 66 00 508	1		11
Spring	29 66 00 022	1	} only for repair	12
Rivet	3x5 DIN 660	1		13
<b>Cover plate, left</b>	29 66 00 001	1		14
<b>Cover plate, right</b>	29 66 00 002	1		15
Spring washer	A 5 DIN 137	2		16
Screw	AM 5x6 DIN 85	2		17
Angle	29 66 00 511	1		18
Spring washer	A 7 DIN 137	2		19
Bolt	M 7x15 DIN 933	2		20
Bracket	29 66 00 016	1		21
Bolt	M 6x12 DIN 933	1		22
Spring washer	B 6 DIN 137	2		23
Nut	M 6 DIN 934	1		24
Inflator	16 93 01 502	1		28
Numberplate, rear	29 66 00 026	1		—
Screw	M 5x10 DIN 85	2		—
Washer	5,3 DIN 125	2		—
Spring washer	B 5 DIN 137	4		—
Nut	M 5 DIN 934	2		—

Description	Order-No.	Quantity	Remarks	Illustr.-No.
<b>QUICKLY-T</b>				
	1			
<b>Exhaust pipe</b>	29 71 00 002	1		1
Gasket	16 71 00 002	2		2
Union	16 71 00 001	1		3
<b>Silencer assy</b>	16 71 02 502	1		4
Silencer	16 71 02 505	1		5
Baffle	16 71 01 009	1		6
Lock washer	J 4,3 DIN 6798	1		7
Screw	M 4x8 DIN 86	1		8
Silencer clip	16 71 02 008	1		9
Screw	AM 6x18 DIN 86	1		10
Spring ring	A 6 DIN 127	1		11
Nut	M 6 DIN 934	1		12
Clip	16 71 00 006	1		13
Bolt	M 5x18 DIN 933	1		14
Spring washer	A 5 DIN 137	2		15
Nut	M 5 DIN 934	1		16
Clip	29 71 00 001	1		17
Bolt	M 6x18 DIN 933	1		18
Spring ring	A 6 DIN 127	1		19
Nut	M 6 DIN 934	1		20
<b>Fuel tank</b>	29 72 00 502	1		21
Filler cap	16 72 01 504	1		22
Gasket	16 72 00 024	1		23
Gasket	29 72 00 010	1		24
Spring ring	B 6 DIN 137	4		25
Bolt	M 6x12 DIN 933	2		26
<b>Fuel tap</b>	29 72 00 506	1		27
Strainer	16 72 00 905	1		28
Gasket	16 72 00 901	2		29
Nut	16 72 00 904	1		30
Gasket	16 72 00 903	1		31
Gauze filter	29 72 00 901	1		32
Connector	29 72 00 900	1		33
Cap nut	16 72 00 902	1		34
Hose	11 72 00 006	1	L = 120 mm	35
Sleeve	023 104 269	2		36

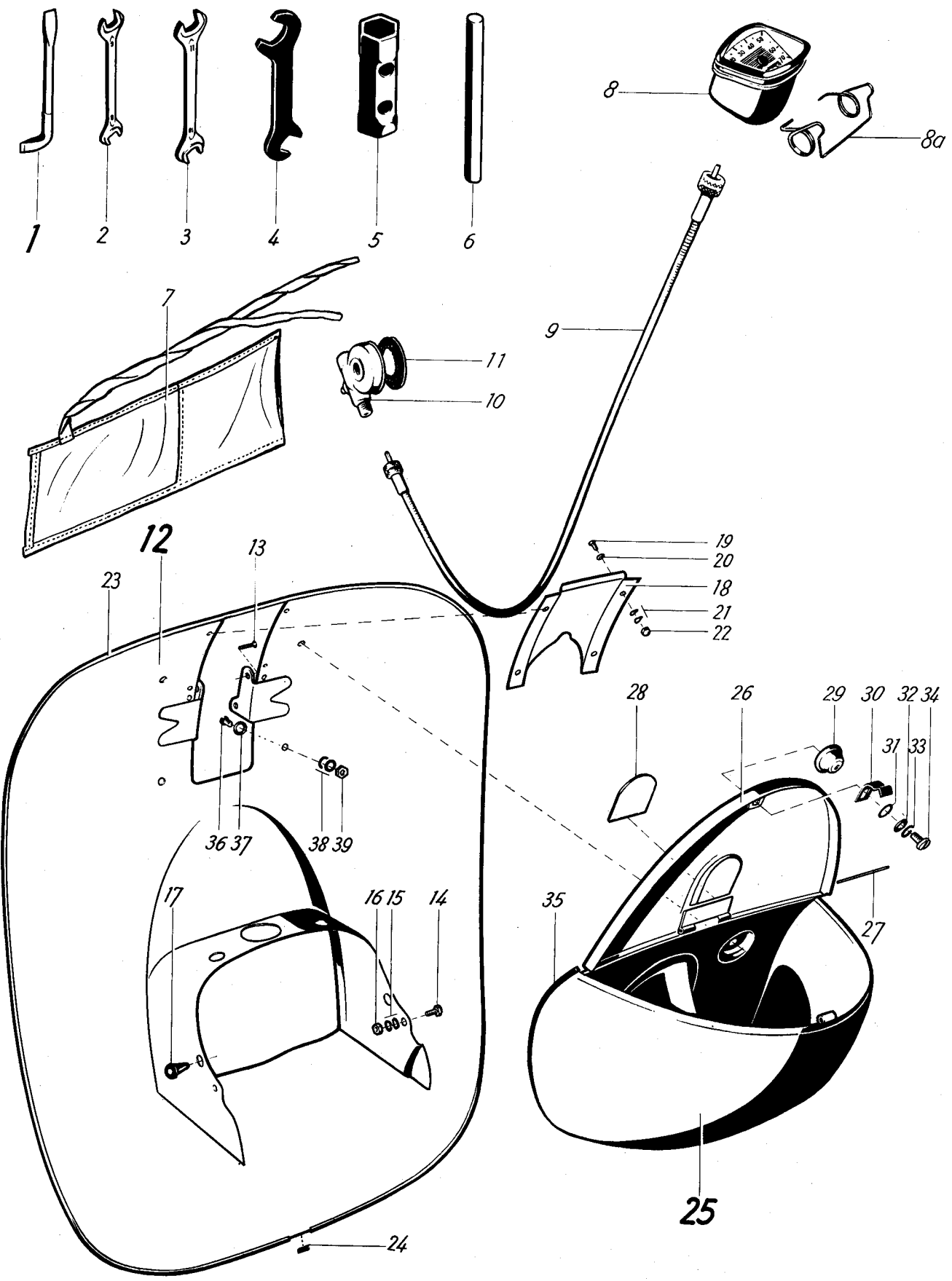


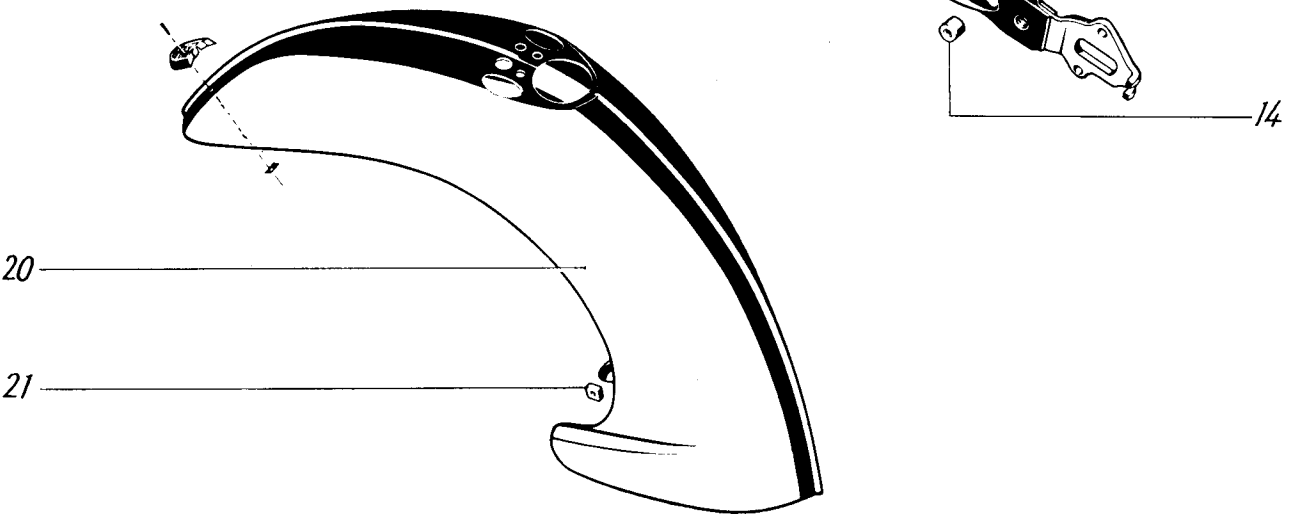
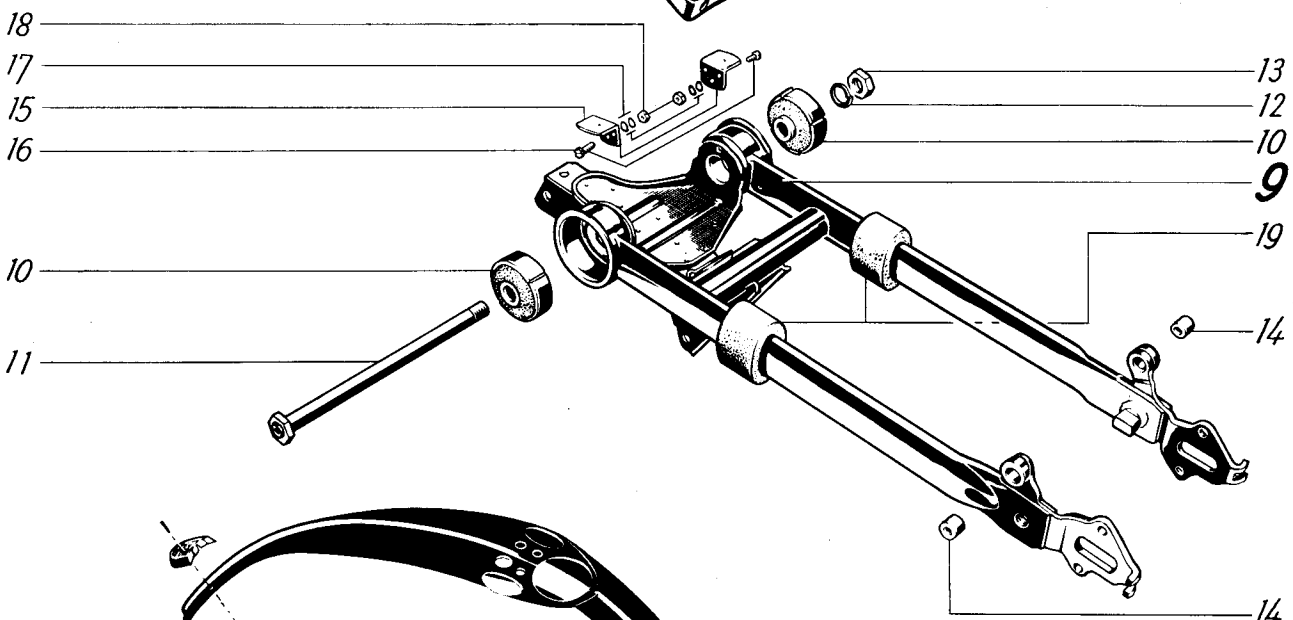
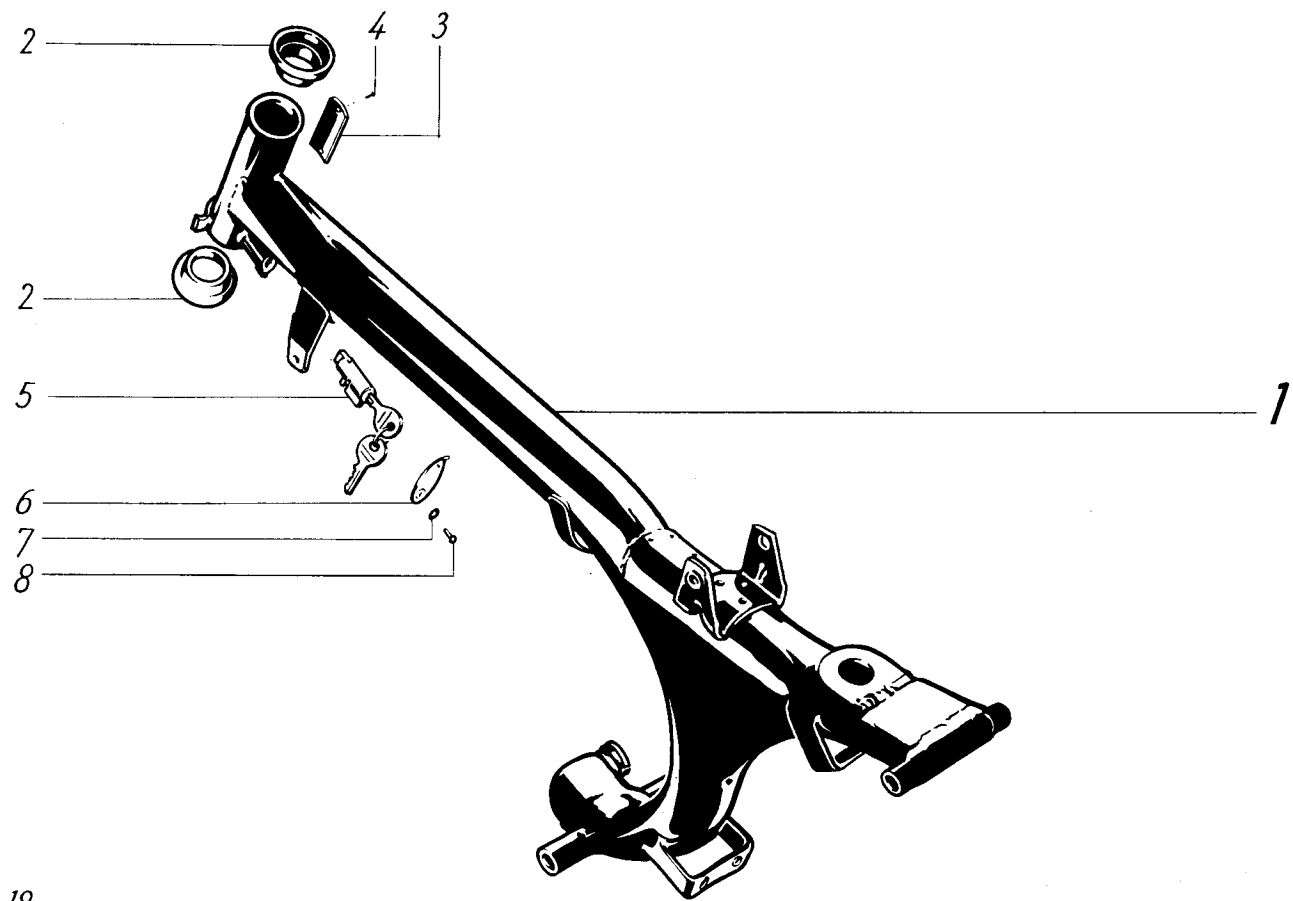




Description	Order-No.	Quantity	Remarks	Illustr.-No.
<b>QUICKLY-T</b>				
	1 2 3			
<b>Cable harness</b>	29 80 00 501	1		—
<b>Lead, engine - headlamp</b>	29 80 00 502	1		—
Ground cable (headlight)	29 80 00 503	1		—
<b>Headlamp</b>	29 81 00 508	1		1
Rim	29 81 00 902	1		2
Lens	29 81 00 914	1		3
<b>Reflector w/spring</b>	29 81 00 920	1		4
Socket	29 81 00 921	1		5
Screw	29 81 00 919	4		6
Cylinder screw	29 81 00 901	1		7
Ground cable	29 81 00 917	1		—
Spring	29 81 00 918	1		8
Gasket	29 81 00 905	1		9
Nut	29 81 00 908	1		10
Spring	29 81 00 909	1		11
Washer	29 81 00 910	1		12
Screw	29 81 00 911	1		13
Screw	29 81 00 912	1		14
Circlip	29 81 00 913	1		15
Bulb	16 81 00 514	1	6 V 15 W Bilux	16
Rattle	29 81 00 504	1		17
Lead for rattle	16 81 00 003	1	L = 250 mm	—
Dipswitch	29 81 00 505	1		18
Spring washer	A 6 DIN 137	1		—
Screw	073 771 032	1		—
<b>Tail lamp</b>	29 81 01 510	1		19
Casing with no plate cover	29 81 00 925	1		20
Screw	29 81 00 901	1		—
Gasket	29 81 00 923	1	Rubber	21
Outlet of light	29 81 00 924	1		22
Screw	29 81 00 907	2		23
Bulb	126 110 414	1	H 6 V 3 W	24
Screw	29 81 00 008	2		25
Lock washer	A 4,3 DIN 6798	2		26
Base plate	29 81 00 005	1		27
Rubber plate	29 81 01 002	1	Rubber	28
<b>Switch</b>	16 43 00 510	1		—
Insulating plate	16 81 00 933	1		29
Contact plate	16 81 01 924	1		30
Switch lever	16 81 02 905	1		31
Contact bridge	16 81 01 906	1		32
Spring	16 81 01 907	1		33
Washer	16 81 01 908	1		34
Split pin	1x12 DIN 94	1		35

Description	Order-No.	Quantity	Remarks	Illustr.-No.
<b>QUICKLY-T</b>				
	1 2			
<b>Tool</b>	29 91 00 900	1		—
Screw driver	16 91 00 003	1		1
Spanner	11 91 00 600	1	8x9 mm	2
Spanner	11 91 00 601	1	10x11 mm	3
Spanner	29 91 00 002	1	12x19 mm	4
Box spanner	028 104 992	1		5
Pin	29 91 00 001	1		6
Toll roll	29 91 00 501	1		7
<b>Speedometer head (M. P. H.)</b>	29 92 00 504	1		8
Spring	29 92 00 001	1		8a
Flexible drive	16 92 02 502	1	L = 850 mm	9
Cable clip	29 44 00 005	1		—
Speedometer drive	29 92 00 503	1		10
Felt washer	16 92 00 905	1		11
<b>Leg-guard</b>	29 93 00 903	1		12
<b>Leg-guard</b>	29 93 00 901	1		—
Counter sund screw	B 4,2x19 DIN 7973	4		13
Bolt	29 93 00 019	2		14
Spring washer	B 6 DIN 137	2		15
Nut	M 6 DIN 934	2		16
Rubber plug	11 16 00 024	4		17
Additional sheathing	29 93 00 003	1		18
Intermediate plate	29 93 00 020	2		—
Screw	AM 4x8 DIN 91	4		19
Spacing washer	11 39 00 066	4		20
Spring washer	A 4 DIN 137	8		21
Cap nut	M 4 DIN 917	4		22
Beading	29 93 00 015	1		23
Beading for additional sheathing	29 93 00 016	1		—
Clip	40 93 00 028	6		24
Set of biseing part	29 93 00 902	1		—
<b>Case of deposit</b>	29 93 00 904	1		25
Lid	29 93 00 503	1		26
Pin	2,5 h 11x55 DIN 7	1		27
Insignia	16 72 01 035	1		28
Knob	29 93 00 012	1		29
Spring	29 93 00 011	1		30
Washer	40 56 00 017	1		31
Washer	125 059 963	1		32
Spring ring	A 5 DIN 127	1		33
Screw	AM 5x12 DIN 85	1		34
Strip, rubber	083 874 033	2	(Rubber)	35
Screw	AM 6x12 DIN 91	4		36
Spacing washer	11 39 00 009	4		37
Spring washer	B 6 DIN 137	8		38
Nut	M 6 DIN 934	4		39
Luggage carrier	29 93 00 900	1	→ 2 914 829 / 2 914 597	—
Luggage carrier	29 93 01 900	1	2 914 830 / 2 914 598 → } optional	—

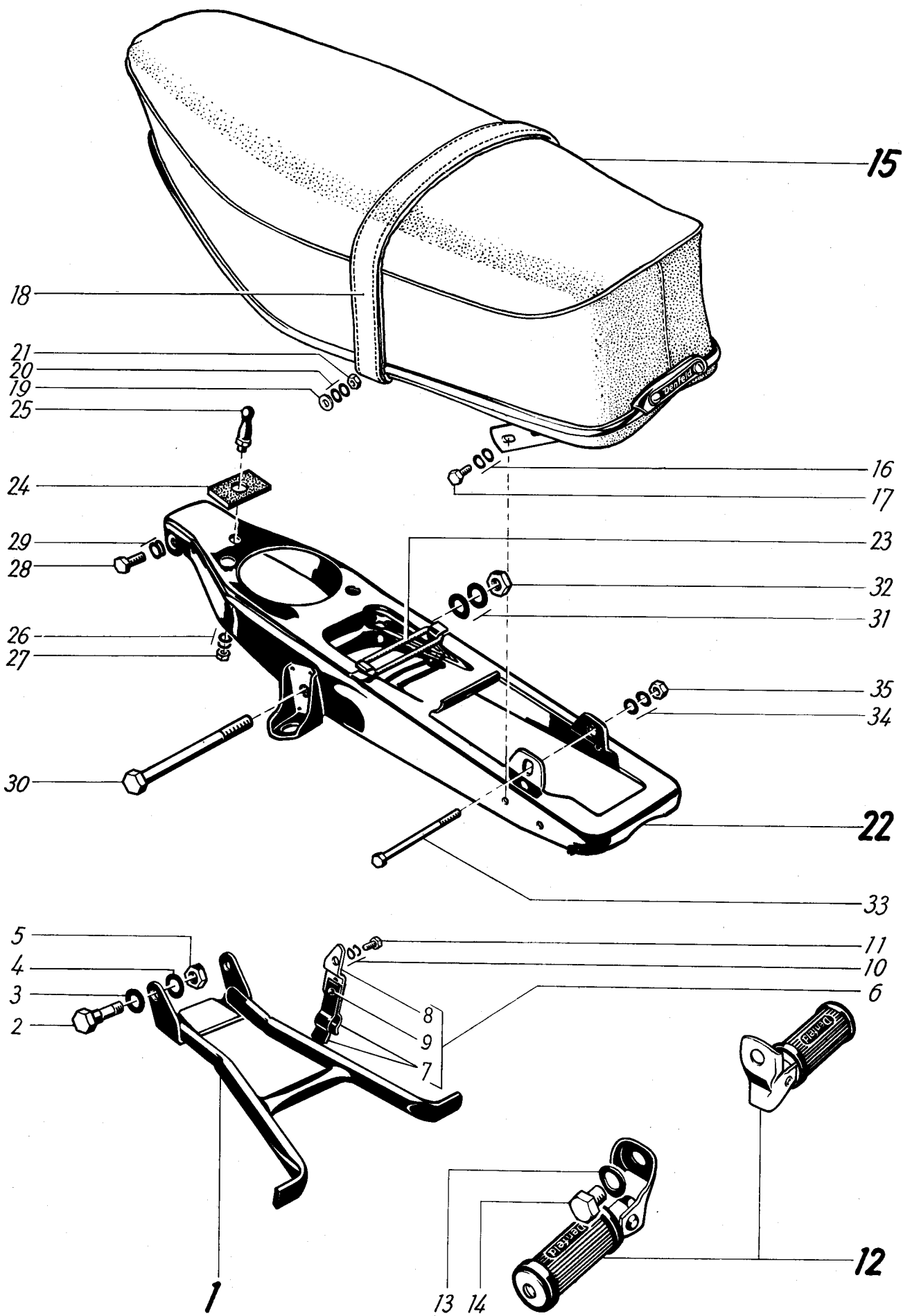


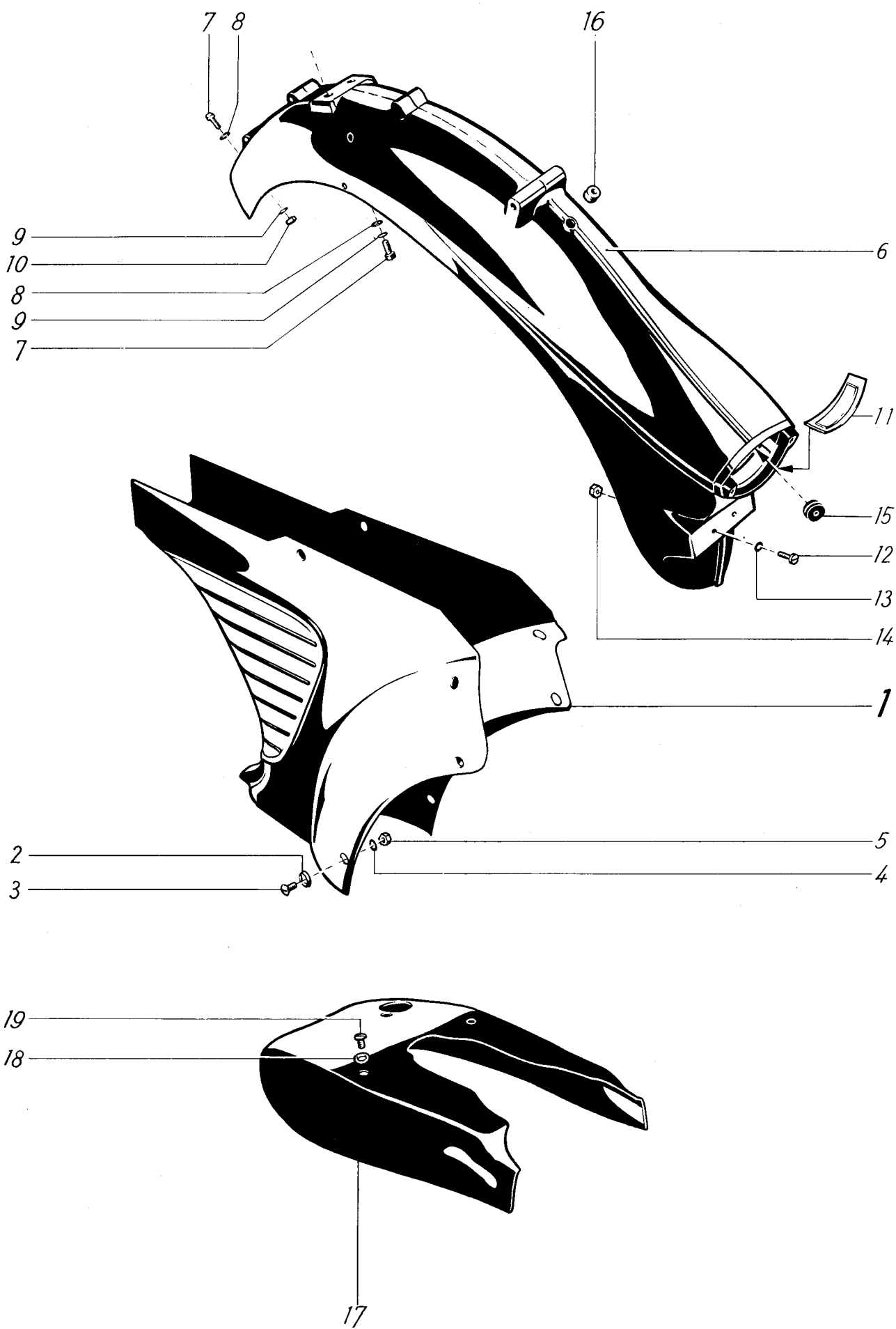


Description	Order-No.	Quantity	Remarks	Illustr.-No.
<b>QUICKLY-TT</b>				
<b>Frame</b>	39 31 00 900	1		1
Stering head race	023 103 927	2		2
Nameplate	16 31 00 900	1	not supplied without stamped number	3
Grooved stud	2x3 DIN 1476	2		4
<b>Steering-head lock</b>	39 31 00 505	1	order spare key from producers	5
Cover plate	39 31 00 016	1		6
Spring washer	A 3 DIN 137	1		7
Grooved stud	3x8 DIN 1476	1		8
<b>Rear fork</b>	29 32 00 501	1		9
Ring	29 32 00 027	2		10
Axle pin	29 32 00 508	1		11
Spring ring	A 14 DIN 127	1		12
Nut	M 14x1,5 DIN 936	1		13
Bush	29 41 00 013	2		14
Bracket for engine cowl.	39 39 00 010	2		15
Screw	AM 5x10 DIN 84	2		16
Spring washer	B 5 DIN 137	4		17
Nut	M 5 DIN 934	2		18
Rubber damper	11 16 00 030	2		19
<b>Front mudguard</b>	29 33 00 501	1		20
Nut	M 8 DIN 557	2	for swinging link mounting	21

Description	Order-No.	Quantity	Remarks	Illustr.-No.
<b>QUICKLY-TT</b>				
	1 2			
<b>Centre stand</b>	29 35 01 501	1		1
Bolt	29 35 01 005	2		2
Spring washer	B 12 DIN 137	2		3
Spring washer	B 10 DIN 137	2		4
Nut	M 10x1 DIN 936	2		5
<b>Spring</b>	29 35 00 504	1		6
Spring	29 35 00 009	2		7
Clevis link	29 35 00 010	1		8
Rivet	5x12 DIN 660	1		9
Spring washer	B 6 DIN 137	2		10
Screw	M 6x12 DIN 933	1		11
<b>Footrests</b>	39 37 00 501	2		12
Spring washer	B 12 DIN 137	1	} for footrests, left	13
Screw	M 12x1,5x15 DIN 961	1		14
Screw	—	—	} for footrests, right s. page 111, Illustr.-No. 19, 20, 21	—
Spring washer	—	—		—
Washer	—	—		—
<b>Seat cushion</b>	39 38 01 502	1	for dual seat	} on vehicles prior to 3 905 786 / 3 905 923 bore 2 holes of $\varnothing$ 6,4 mm on auxiliary frame with 2 hex screws 29 93 00 019 and 4 Spring washers B 6 DIN 137
<b>Seat cushion</b>	39 38 02 502	1	for one — seater	
Bracket plate	39 38 00 900	1		—
Spring washer	B 6 DIN 137	8		16
Screw	M 6x12 DIN 933	4		17
<b>Grip handle</b>	39 38 00 503	1		18
Washer	16 31 00 091	2		19
Spring washer	B 6 DIN 137	4		20
Nut	M 6 DIN 934	2		21
<b>Auxiliary frame</b>	39 38 00 501	1		22
O Ring	39 38 00 005	1		23
Rubber support	39 38 00 007	1	} → 3 905 785 / 3 905 922	24
Screw	29 38 00 012	1		25
Spring washer	B 6 DIN 137	2		26
Nut	M 6 DIN 934	1	} 3 905 786 / 3 905 923 →	27
Spring washer	B 6 DIN 137	4		—
Screw	29 93 00 019	2		—
Screw	M 8x20 DIN 933	2		28
Spring washer	B 8 DIN 137	4		29
Screw	M 10x1x115 DIN 960	1		30
Spring washer	A 10 DIN 137	2		31
Nut	M 10x1 DIN 936	1		32
Screw	M 6x75 DIN 931	1		33
Spring washer	B 6 DIN 137	2		34
Nut	M 6 DIN 934	1		35





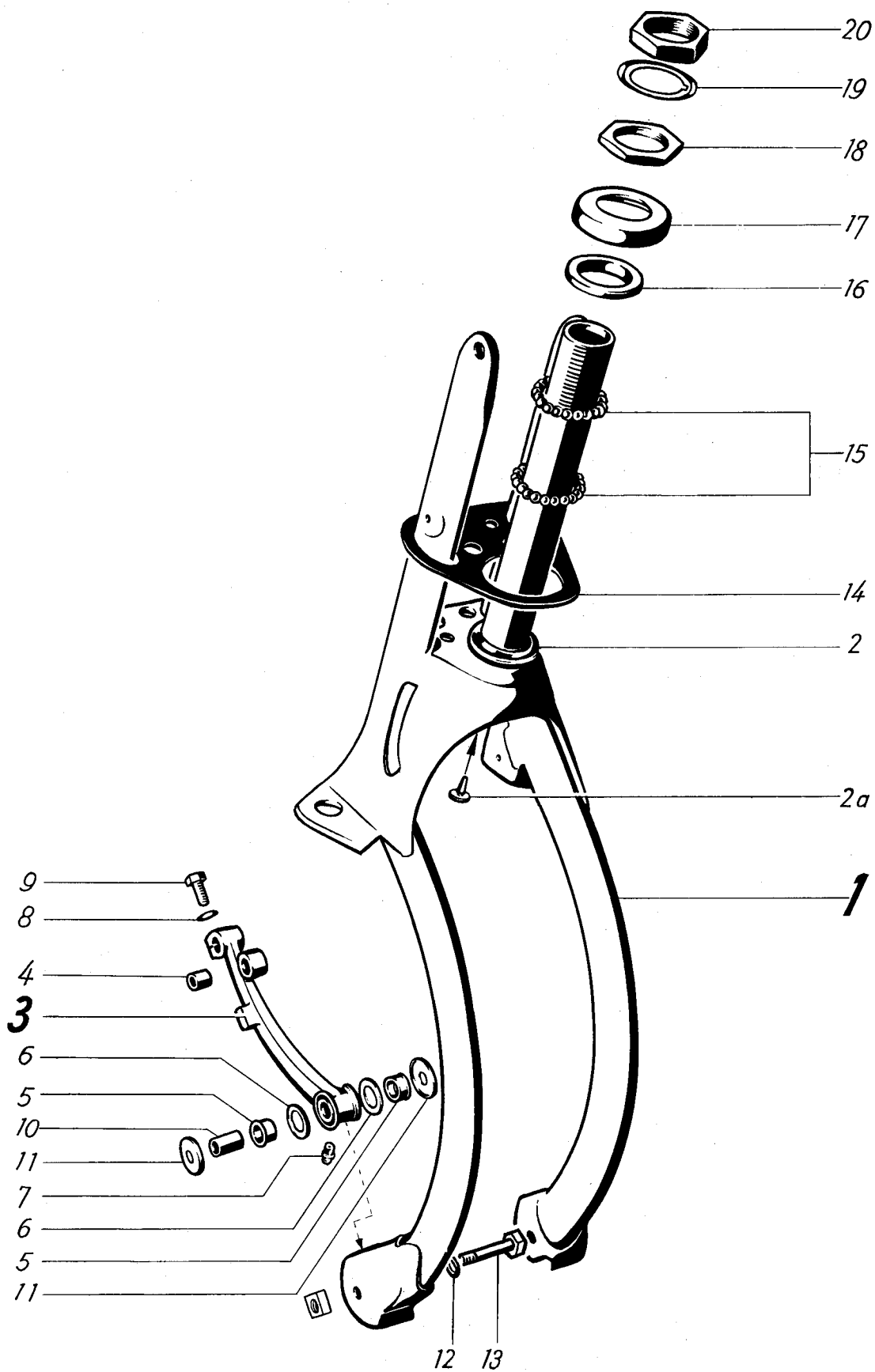


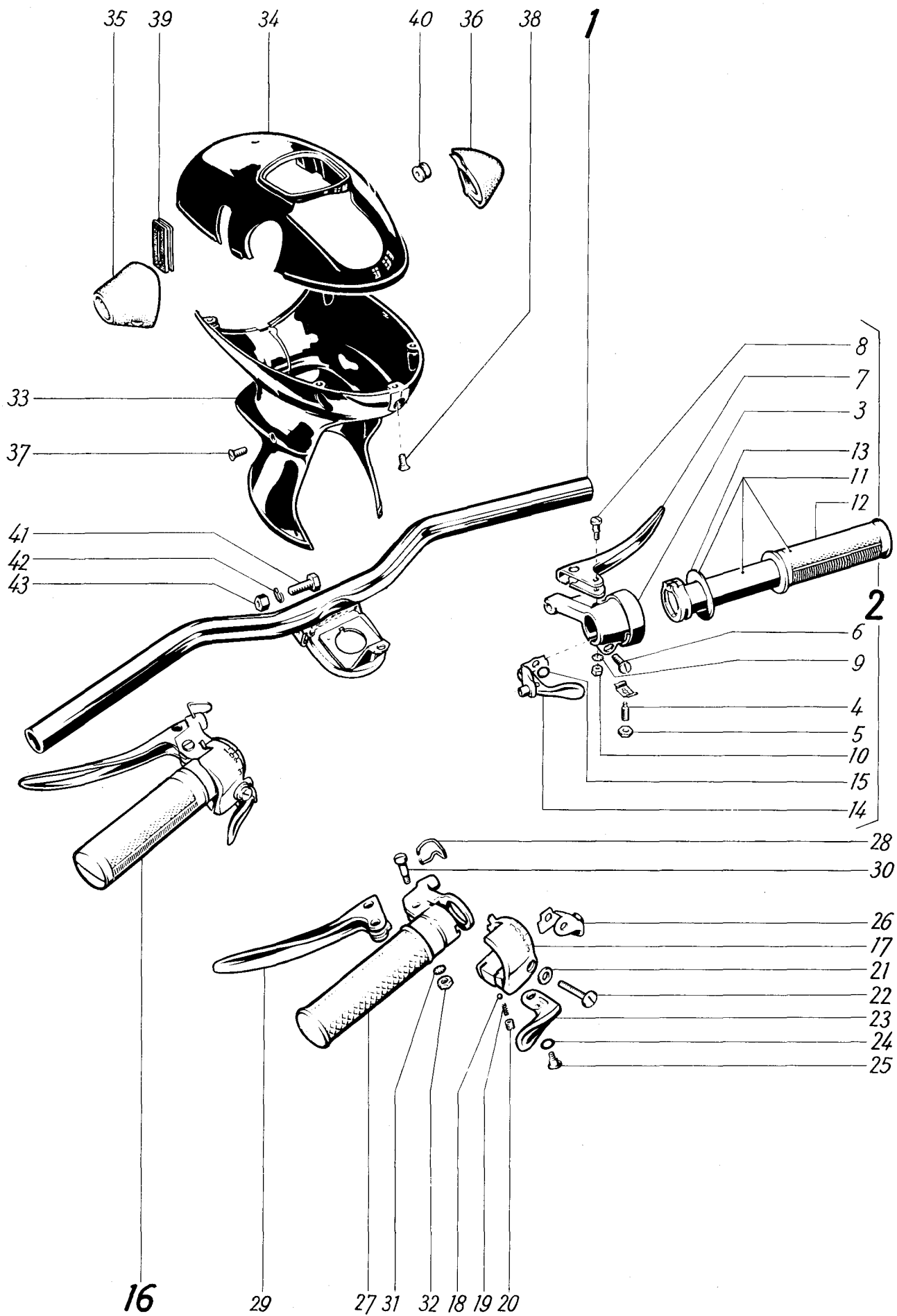
Description	Order-No.	Quantity	Remarks	Illustr.-No.
<b>QUICKLY-TT</b>				
<b>Side panel</b>	39 39 00 501	1		1
Spacing washer	11 39 00 029	8		2
Countersunk screw	AM 5x10 DIN 91	8		3
Lock washer	J 5,3 DIN 6798	6		4
Nut	M 5 DIN 934	6		5
<b>Mudguard, rear</b>	39 39 00 502	1		6
Screw	M 6x15 DIN 933	4		7
Washer	6,4 DIN 125	4		8
Lock washer	J 6,4 DIN 6797	4		9
Nut	M 6 DIN 934	2		10
Countersunk screw	AM 4x10 DIN 85	2	} for number plate fixing	12
Spring washer	B 4 DIN 137	4		13
Nut	M 4 DIN 934	2	} s. page 112	14
Rubber sleeve	—	—		15
Rubber sleeve	—	—		16
<b>Engine cowl</b>	39 39 00 006	1		17
Washer	11 39 00 029	2		18
Countersunk screw	AM 6x10 DIN 91	2		19

Description	Order-No.	Quantity	Remarks	Illustr.-No.
<b>QUICKLY-TT</b>				
	1 2			
<b>Spring fork</b>	29 41 00 900	1	with Front wheel suspension	—
Spring fork	29 41 00 901	1		1
Cone, bottom	044 412 131	1		2
Rubber plug	26 32 00 027	1		2a
<b>Swinging link</b>	29 41 00 506	2		3
Bush	29 41 00 013	2		4
Bush	16 41 01 056	4		5
Cab, inner	16 41 00 081	4		6
Grease nipple	D 6 DIN 3402	2		7
Spring washer	A 8 DIN 137	2		8
Screw	16 41 00 045	2		9
Bush	16 41 00 055	2		10
Cap outer	16 41 00 080	4		11
Spring ring	A 8 DIN 127	2		12
Bolt	29 41 00 016	2		13
<b>Front wheel suspension</b>	—	—	s. page 109, Illustr.-No. 10-26	—
Square nut	—	—	s. page 100, Illustr.-No. 21	—
Cover plate, left	—	—	} s. page 110, Illustr.-No. 7-10	—
Cover plate, right	—	—		—
Spring washer	—	—		—
Bolt	—	—		—
Plate	29 41 00 015	1	Rubber	14
Ball	024 049 962	each 21	5 mm diam	15
Cone, top	024 103 928	1		16
Cover	024 103 929	1		17
Nut	074 742 006	1		18
Lock plate	16 41 00 051	1		19
Nut	29 41 00 018	1		20

All parts like Quickly-T

s. page 87

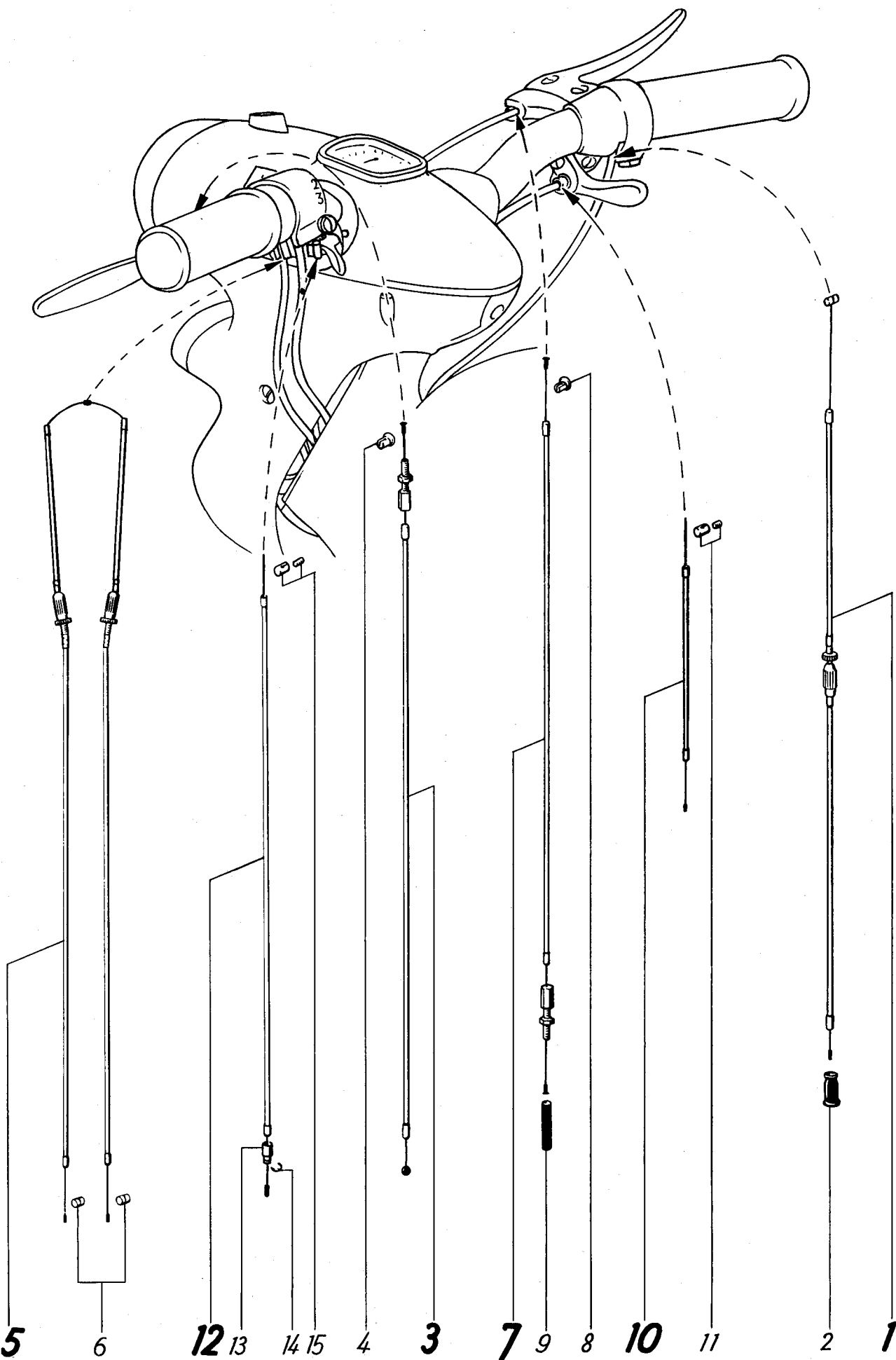


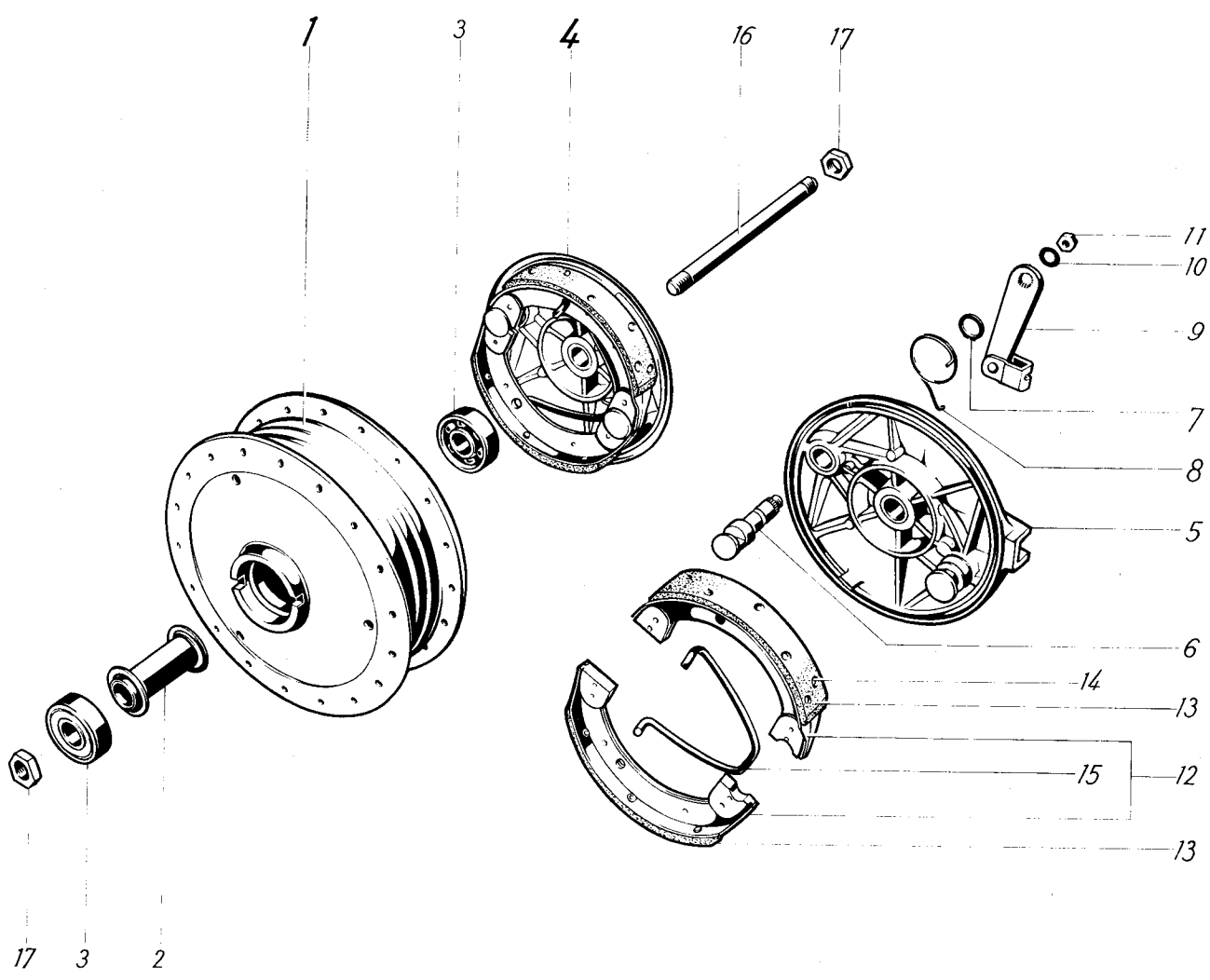


Description	Order-No.	Quantity	Remarks	Illustr.-No.
<b>QUICKLY-TT</b>				
	1 2 3			
<b>Handlebar assy</b>	39 43 00 505	1		—
Handlebar	39 43 00 501	1		1
<b>Throttle twistgrip</b>	39 43 00 504	1		2
Twistgrip housing	39 43 00 900	1		3
Adjusting screw	16 44 00 929	1	6 mm	4
Nut	M 6 DIN 439	1		5
Screw	044 413 608	1		6
Brake lever	16 44 00 902	1		7
Bolt	16 44 00 903	1		8
Lock washer	J 5,3 DIN 6797	1		9
Nut	M 5 DIN 934	1		10
Twist grip sleeve	16 44 03 901	1		11
Rubber grip	16 44 01 904	1		12
Washer	16 44 02 921	1		13
<b>Gear change twistgrip</b>	16 43 02 503	1		16
Twistgrip housing	16 44 04 905	1		17
Ball	11 13 00 780	1	4 mm diam	18
Spring	16 44 00 911	1		19
Stud	014 106 433	1	M 5x4	20
Washer	6,4 DIN 125	1		21
Bolt	16 44 00 913	1		22
Lever for decompression valve	16 44 00 909	1		23
Spring washer	16 44 00 923	1		24
Bolt	M 4x4 DIN 923	1		25
Support	16 44 00 914	1		26
Twistgrip sleeve (w/o gear indication)	16 44 04 906	1		27
Rubber grip	16 44 00 904	1		—
Stirrup	16 44 00 910	1		28
Clutch lever	16 44 02 907	1		29
Bolt	16 44 00 908	1		30
Lock washer	J 5,3 DIN 6797	1		31
Nut	M 5 DIN 934	1		32
<b>Handlebar cowling, lower</b>	39 43 00 507	1		33
<b>Handlebar cowling, upper</b>	39 43 00 004	1		34
Lock ring, left	39 43 00 002	1		35
Lock ring, right	39 43 00 001	1		36
Screw	AM 6x15 DIN 91	2	→ 3 904 517 / 3 904 672	—
Screw	AM 6x15 DIN 85	2	3 904 518 / 3 904 673 →	37
Screw	M 5x12 DIN 91	5		38
Rubber seal	39 43 00 003	1		39
Rubber sleeve	16 93 00 057	1		40
Bolt	M 8x20 DIN 933	2		41
Spring ring	B 8 DIN 127	2		42
Nut	034 099 167	2		43

Description	Order-No.	Quantity	Remarks	Illustr.-No.
<b>QUICKLY-TT</b>				
	1 2			
<b>Trottle cable</b>	16 44 00 512	1		1
Rubber sleeve	16 44 00 025	1		2
Control cable for clutch	39 44 00 502	1		3
Nipple seat	16 44 00 023	1		4
<b>Gear change cable</b>	39 44 00 503	1		5
Nipple	16 44 00 056	2		6
<b>Front brake cable</b>	39 44 00 501	1		7
Nipple seat	16 44 00 023	1		8
Protecting sleeve	29 44 00 001	1		9
Rubber cable	29 44 00 005	1		—
<b>Decompressor cable</b>	16 44 01 504	1	L = 750 mm → 3 902 240 / 3 902 214	—
<b>Decompressor cable</b>	29 44 01 505	1	L = 729 mm 3 902 241 / 3 902 215 →	12
Nipple seat	16 44 00 931	1	with groove	13
Circlip	4 DIN 6799	1		14
Nipple	16 44 00 021	1		15
Rubber cable strap	16 44 00 041	1	2 Gears	—
Rubber cable strap	16 44 01 041	1	3 Gears	—







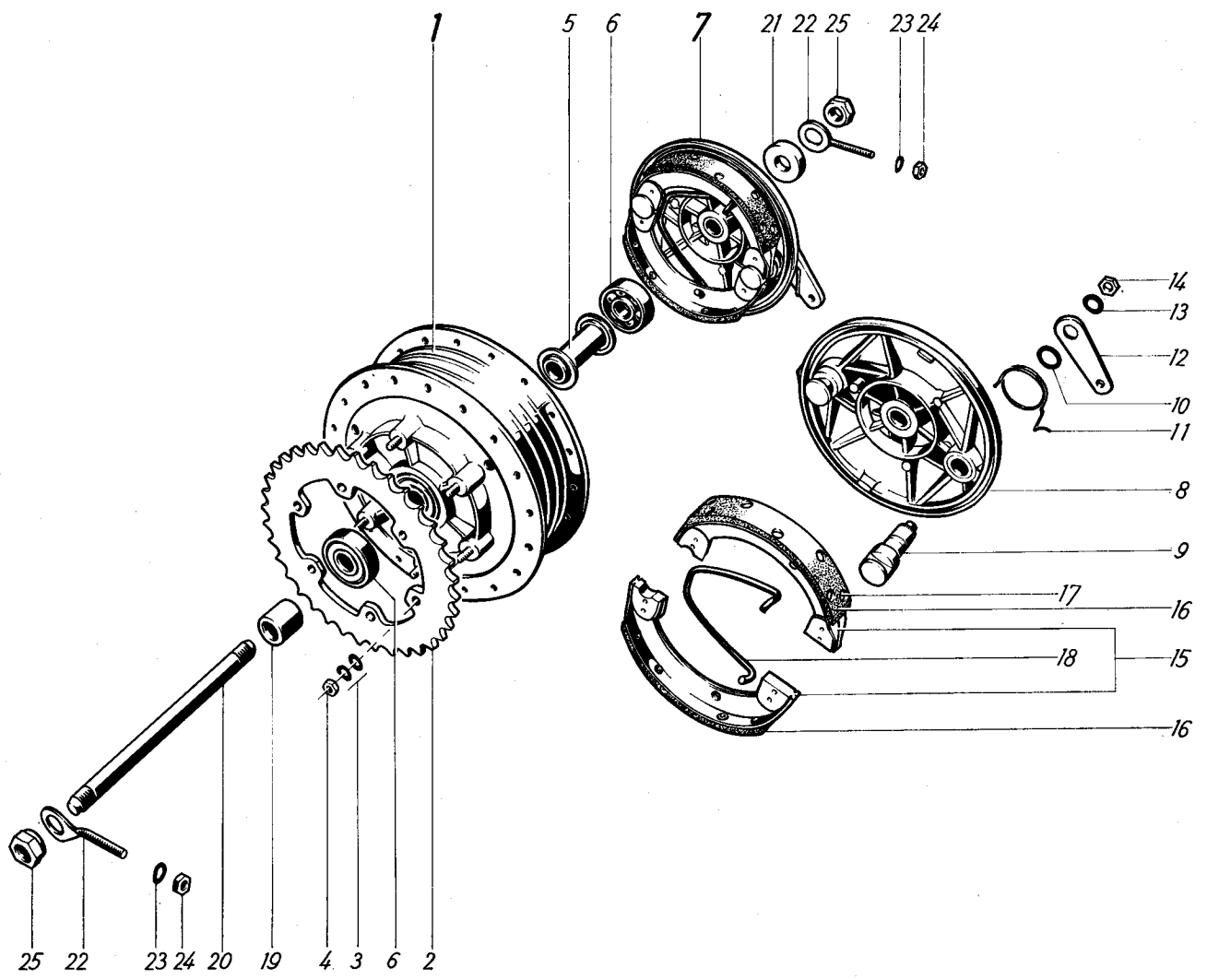
Description	Order-No.	Quantity	Remarks	Illustr.-No.
<b>QUICKLY-TT</b>				
	1 2			
<b>Front wheel</b>	29 51 00 919	1		—
Rim	29 52 00 015	1		—
Spoke	29 52 00 024	36		—
Nipple	025 104 183	36	M 3	—
<b>Front wheel hub</b>	29 51 00 920	1		—
Hub	29 51 00 507	1		1
Spacer	29 51 00 513	1		2
Ball bearing	29 51 00 025	2	12x37x12 mm	3
<b>Front brake</b>	29 51 00 509	1		4
Brake plate	29 51 00 508	1		5
Brake operating cam	29 51 00 012	1		6
Seal ring	075 751 030	1		7
Spring	29 51 00 019	1		8
Brake lever	29 51 00 510	1		9
Spring washer	B 7 DIN 137	1		10
Nut	16 52 01 043	1		11
<b>Brake shoe</b>	29 51 00 501	2		12
Lining	29 51 00 020	2		13
Rivet	B 3x7 DIN 7338	14		14
Spring	29 51 00 014	1		15
Spindle	29 51 00 006	1		16
Nut	025 103 290	2		17
Well filler	23 — 2,00	—	} not supplied	—
Inner tube	23 — 2,25	—		—
Tyre	23 — 2,25	—		—

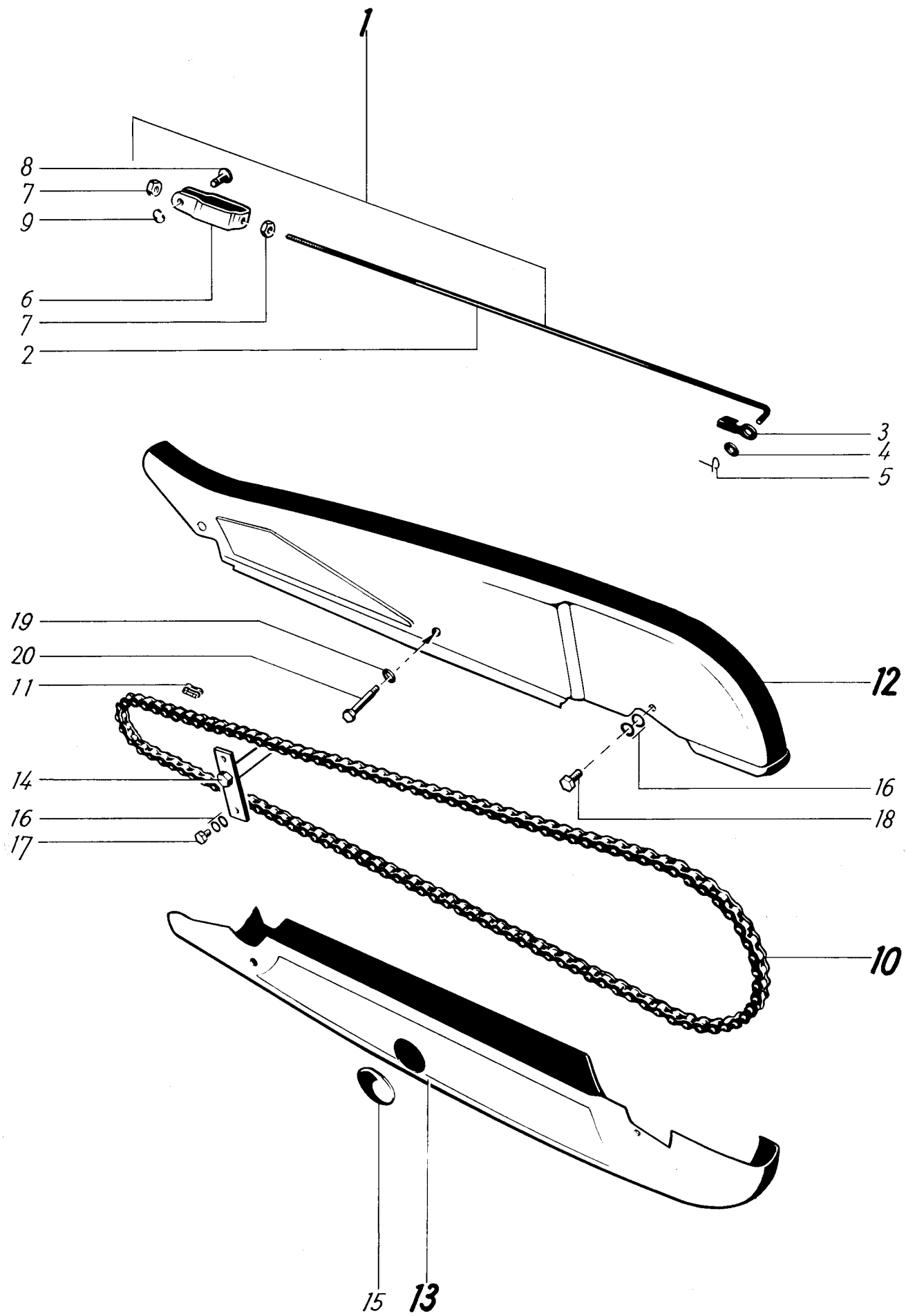
All parts like Quickly-T  
s. page 91

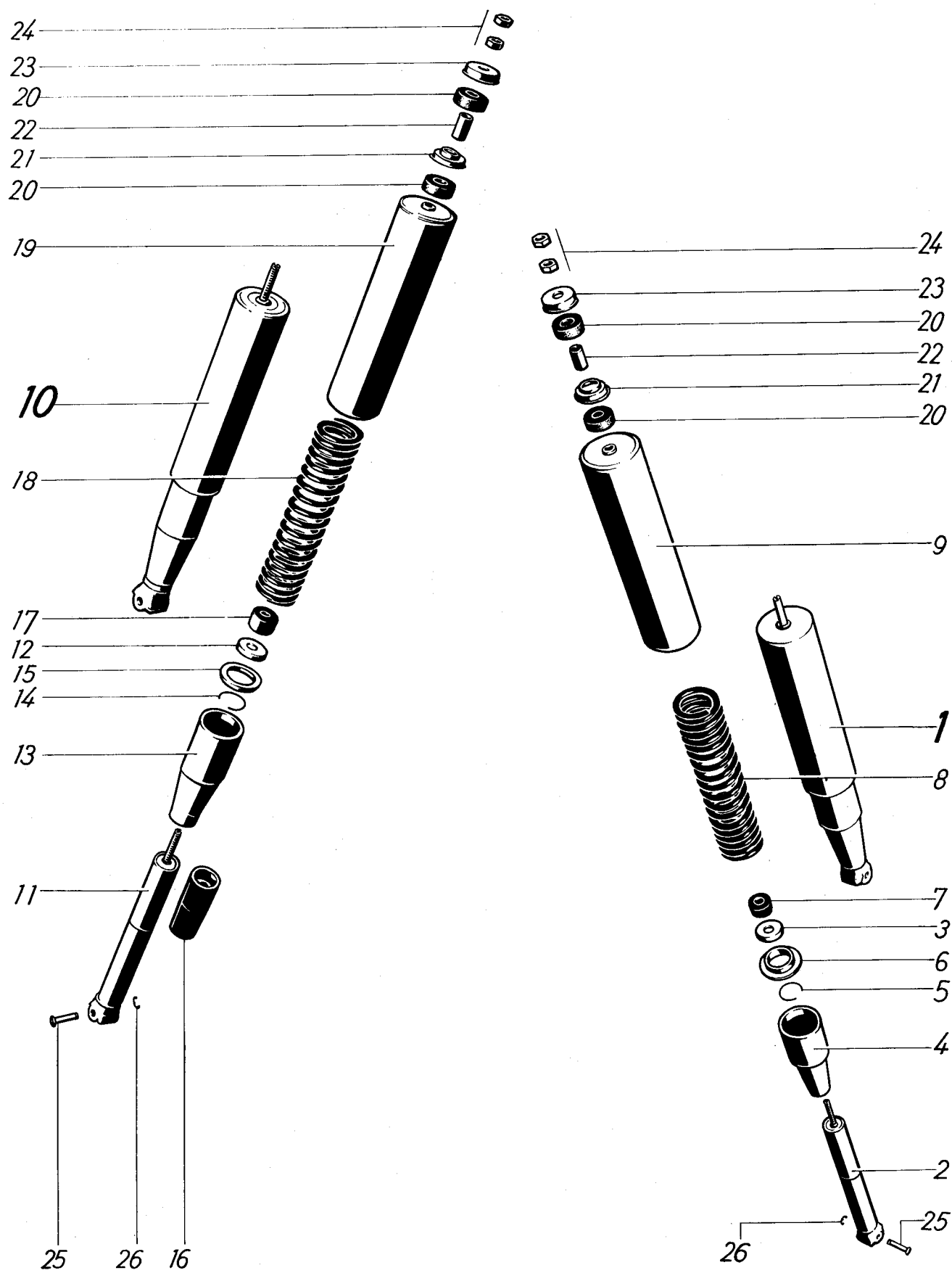
Description	Order-No.	Quantity	Remarks	Illustr.-No.
<b>QUICKLY-TT</b>				
	1 2			
<b>Rear wheel</b>	29 52 01 909	1		—
Rim	29 52 00 015	1		—
Spoke	29 52 00 024	36		—
Nipple	025 104 183	36	M 3	—
<b>Rear wheel hub</b>	29 52 01 910	1		—
Hub	29 52 01 512	1	when ordering a hub for vehicles prior to 3 910 610 / 3 910 779 the toothed rim with bores of 5,2 mm must be opened to 6,2 mm diam Eventual ordering of a new toothed rim 29 52 01 002.	1
Sprocket	29 52 00 002	1	} 36 No of teeth → 3 910 609 / 3 910 778	2
Spring ring	B 5 DIN 137	12		3
Nut	M 5 DIN 934	6		4
Sprocket	29 52 01 002	1	} 36 No of teeth 3 910 610 / 3 910 779 →	—
Spring ring	B 6 DIN 137	12		—
Nut	M 6 DIN 934	6		—
Spacer	29 51 00 513	1		5
Bearing	29 51 00 025	2	12x37x12 mm	6
<b>Rear brake</b>	29 52 00 509	1		7
Brake plate	29 51 00 508	1		8
Brake operating cam	29 51 00 012	1		9
Seal ring	075 751 030	1		10
Spring	29 52 00 007	1		11
Brake lever	29 52 00 023	1		12
Spring washer	B 7 DIN 137	1		13
Nut	16 52 01 043	1		14
<b>Brake shoe</b>	29 51 00 501	2		15
Lining	29 51 00 020	2		16
Rivet	B 3x7 DIN 7338	14		17
Spring	29 51 00 014	1		18
Spacer, left	29 52 00 016	1		19
Spindle	29 52 00 001	1		20
Spacer, right	29 52 00 017	1		21
Chain adjusting screw	29 52 00 013	2		22
Spring washer	B 6 DIN 137	2		23
Nut	M 6 DIN 934	2		24
Nut	025 103 744	2		25
Well filler	23 — 2,00	—	} for one - scater	} not supplied
Inner tube	23 — 2,25	—		
Tyre	23 — 2,25	—		
Inner tube	23 — 2,5	—	} for dual seat	}
Tyre	23 — 2,5	—		

All parts like Quickly-T

s. page 93







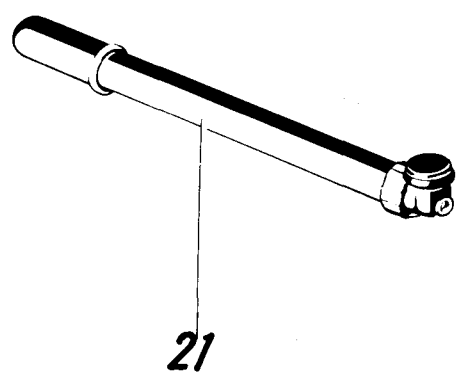
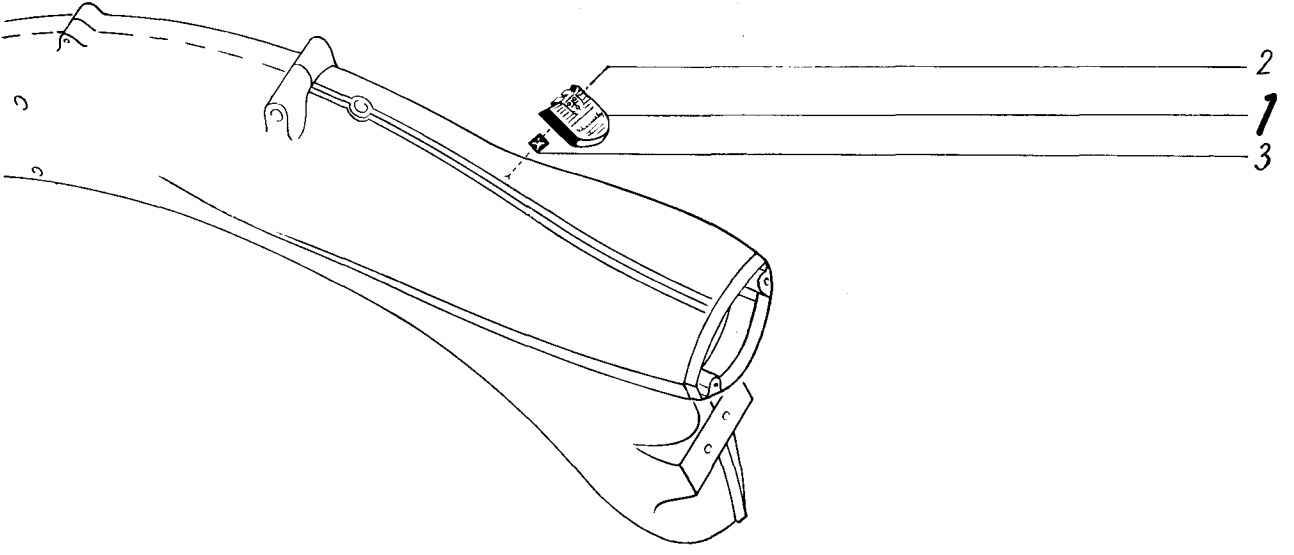
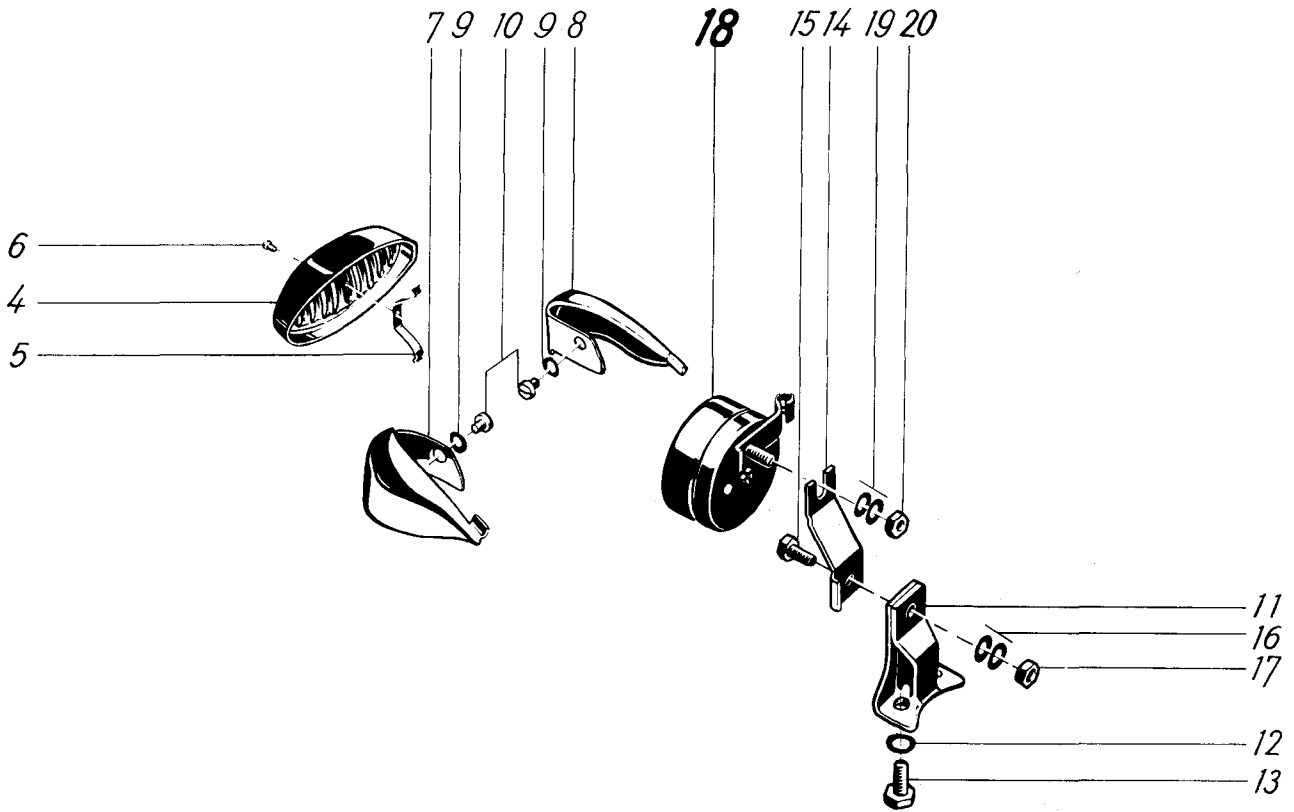
Description	Order-No.	Quantity	Remarks	Illustr.-No.
<b>QUICKLY-TT</b>				
	1 2 3 4			
① Rear spring unit	29 56 00 501	2	for one-seater → 3 904 140 / 3 904 329	—
① Rear spring unit	29 56 00 510	2	for dual seat } is not supplied 29 56 01 510 order	—
Rear spring unit	29 56 01 510	2	3 904 141 / 3 904 330 →	1
Shock absorber	29 56 00 502	2		2
Cover cap	29 57 00 030	2		3
Rubber ring (hight 30 mm)	29 56 00 021	2	→ 3 904 140 / 3 904 329 order also	—
Cover sleeve	29 56 00 014	2		4
Circlip	29 56 00 016	2		5
Ring	29 56 00 015	2		6
Stop	29 57 00 016	2	{ hight 15 mm → 3 904 140 / 3 904 329	7
Stop	29 56 00 020	2	{ hight 5 mm 3 904 141 / 3 904 330 →	—
① Rear spring (thickness of wire 5,3 mm)	29 56 00 011	2	for one-seater } → 3 904 140 / 3 904 329 is not supplied 29 56 01 005 order	8
① Rear spring (thickness of wire 6 mm)	29 56 00 005	2	for dual seat }	—
Rear spring (thickness of wire 5,3 mm)	29 56 01 005	2	3 904 141 / 3 904 330 →	—
Protection tube	29 56 00 506	2		9
② Front spring unit	29 57 00 501	2	{ → 3 904 140 / 3 904 329 is not supplied 29 57 01 501 order	—
Front spring unit	29 57 01 501	2	3 904 141 / 3 904 330 →	10
Shock absorber	29 57 00 502	2		11
Cover cap	29 57 00 030	2		12
Cover sleeve	29 57 00 031	2		13
Circlip	29 56 00 016	2		14
Ring	29 57 00 032	2		15
Protection sleeve	29 57 00 015	2		16
Stop	29 57 00 016	2	hight 15 mm	17
② Front spring (thickness of wire 4,5 mm)	29 57 00 017	2	{ → 3 904 140 / 3 904 329 is not supplied 29 57 01 017 order	18
Front spring (thickness of wire 4,5 mm)	29 57 01 017	2	3 904 141 / 3 904 330 →	—
Protection tube	29 57 00 506	2		19
Rubber ring for balancing	29 57 00 021	each 4		20
Balancing cup	29 57 00 023	each 2		21
Spacer bush	29 57 00 022	each 2		22
Balancing cap	29 57 00 024	each 2		23
Nut	29 57 00 035	each 4		24
Bolt	29 57 00 025	each 2		25
Circlip	6 DIN 6799	each 2		26

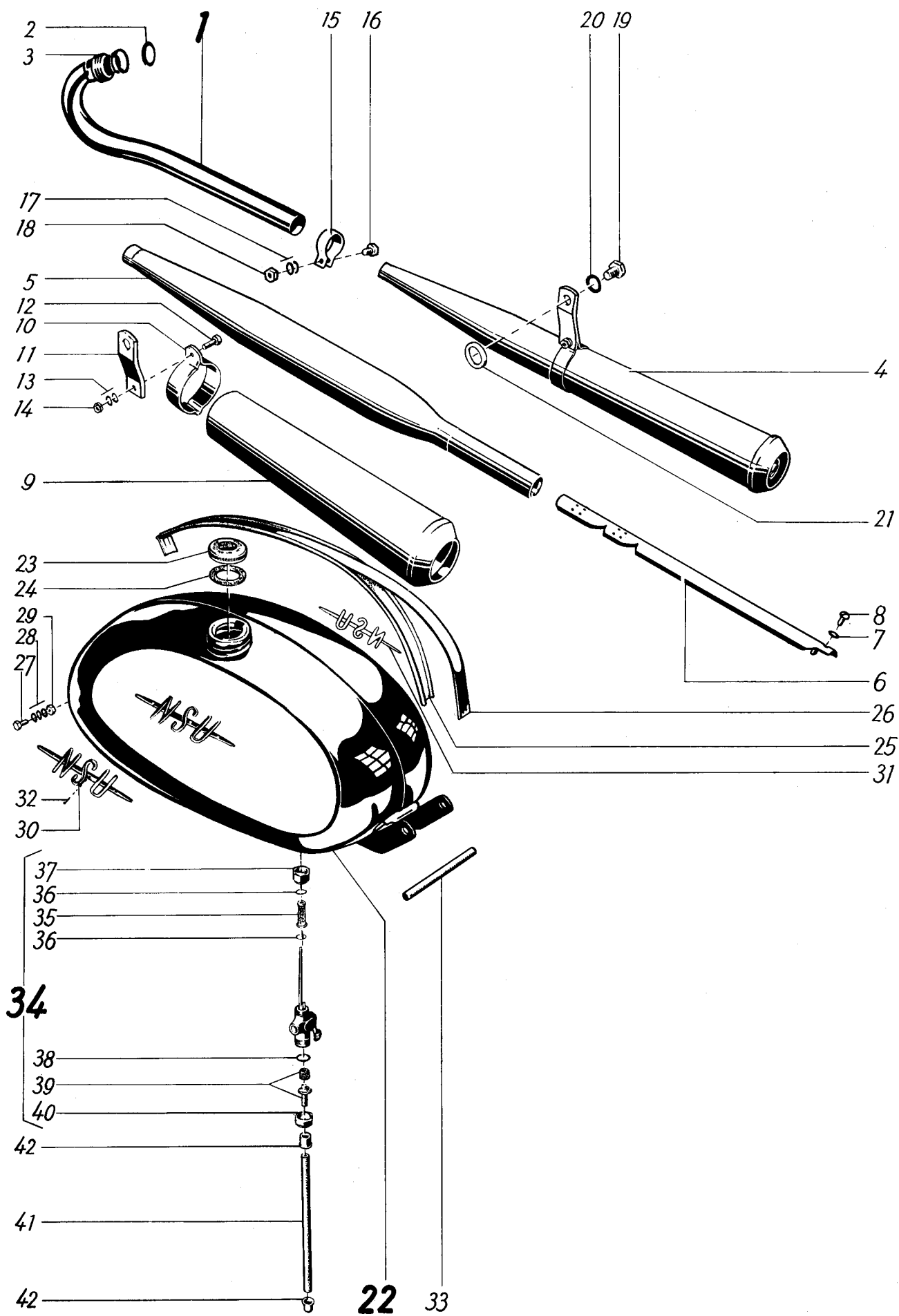
① Doing repairs on machines prior to No. 3 904 141 / 3 904 330 exchange rear wheel suspension in pairs, resp. use rear wheel springs (part No. 29 56 01005) of wire gauge 5,3 mm with one stop-ring each at top (part No. 29 56 00 020), height 5 mm.

② Doing repairs prior to machine-No. 3 904 141 / 3 904 330 exchange front wheel suspension resp. front wheel springs in pairs.



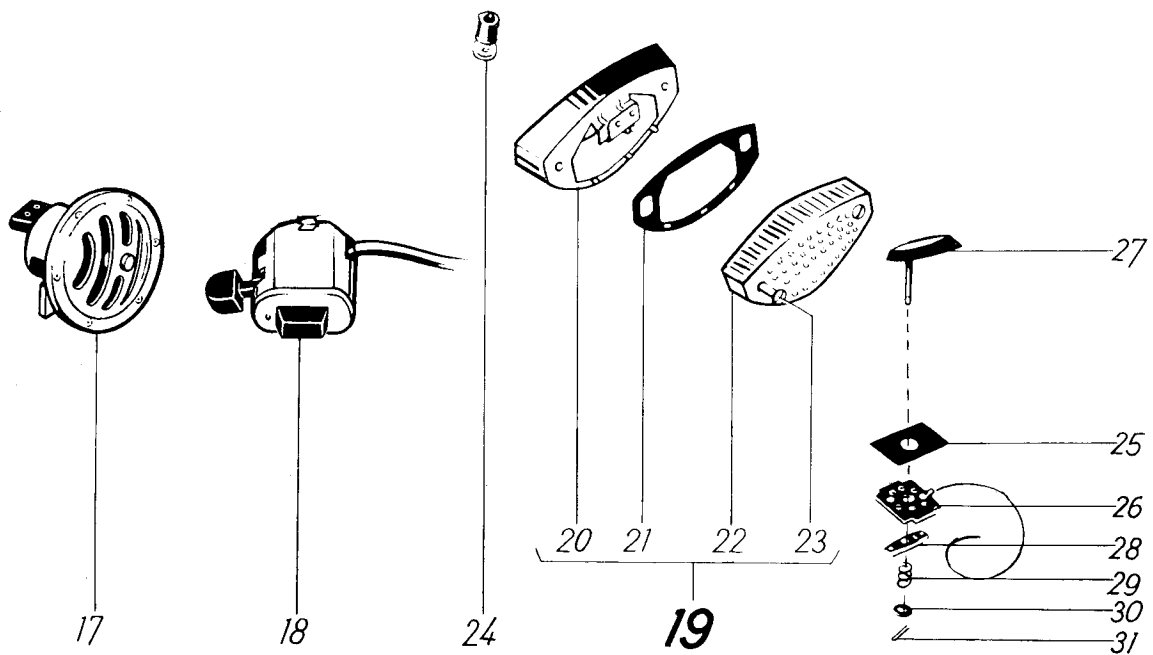
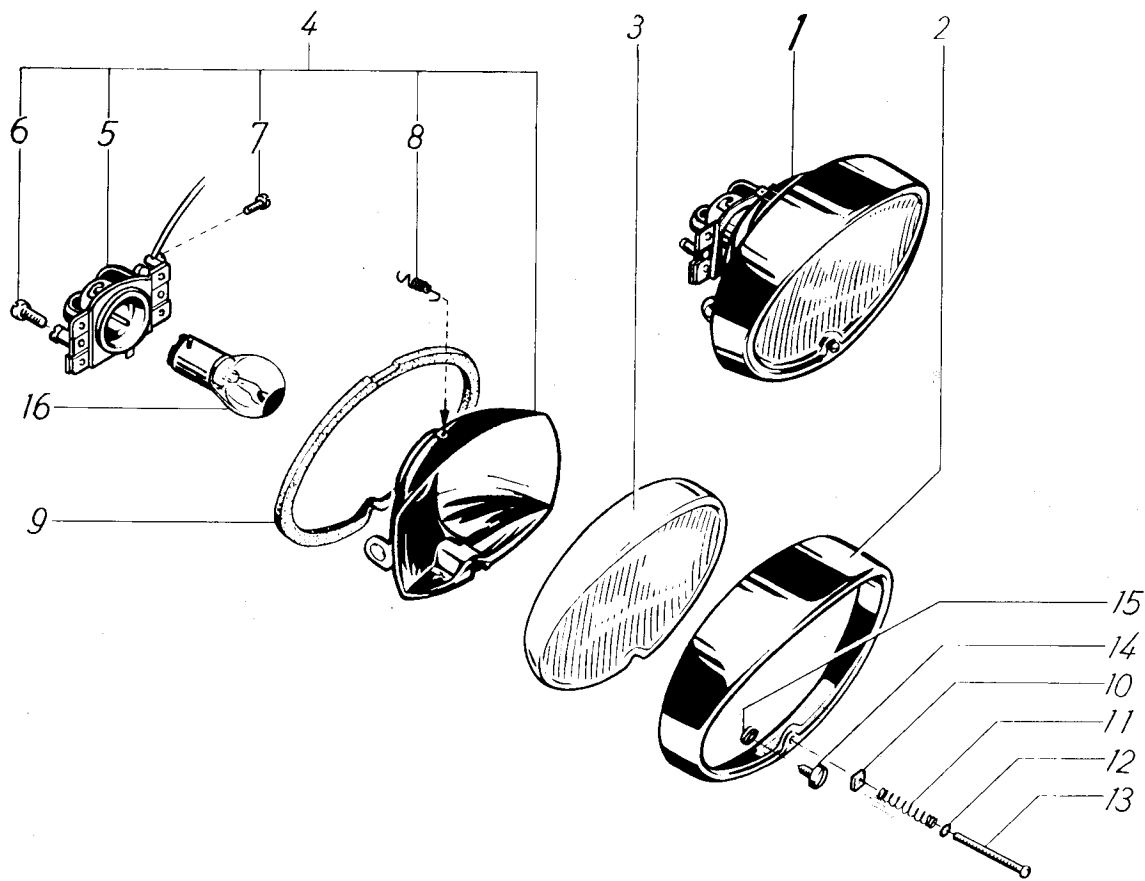
Description	Order-No.	Quantity	Remarks	Illustr.-No.
<b>QUICKLY-TT</b>				
<b>Emblem</b>	29 66 00 019	2	for Front mudguard	1
Pin	29 66 00 023	4		2
Nut	40 66 00 216	4		3
<b>Cover plate</b>	29 66 00 508	1		4
Spring	29 66 00 022	1	} only for repair	5
Rivet	3x5 DIN 660	1		6
<b>Cover plate, left</b>	29 66 00 001	1		7
<b>Cover plate, right</b>	29 66 00 002	1		8
Spring washer	A 5 DIN 137	2		9
Screw	AM 5x6 DIN 85	2		10
Angle	29 66 00 511	1		11
Spring washer	A 7 DIN 137	2		12
Bolt	M 7x15 DIN 933	2		13
Bracket	29 66 00 016	1		14
Bolt	M 6x12 DIN 933	1		15
Spring washer	B 6 DIN 137	2		16
Nut	M 6 DIN 934	1		17
<b>Inflator</b>	16 93 01 502	1		21

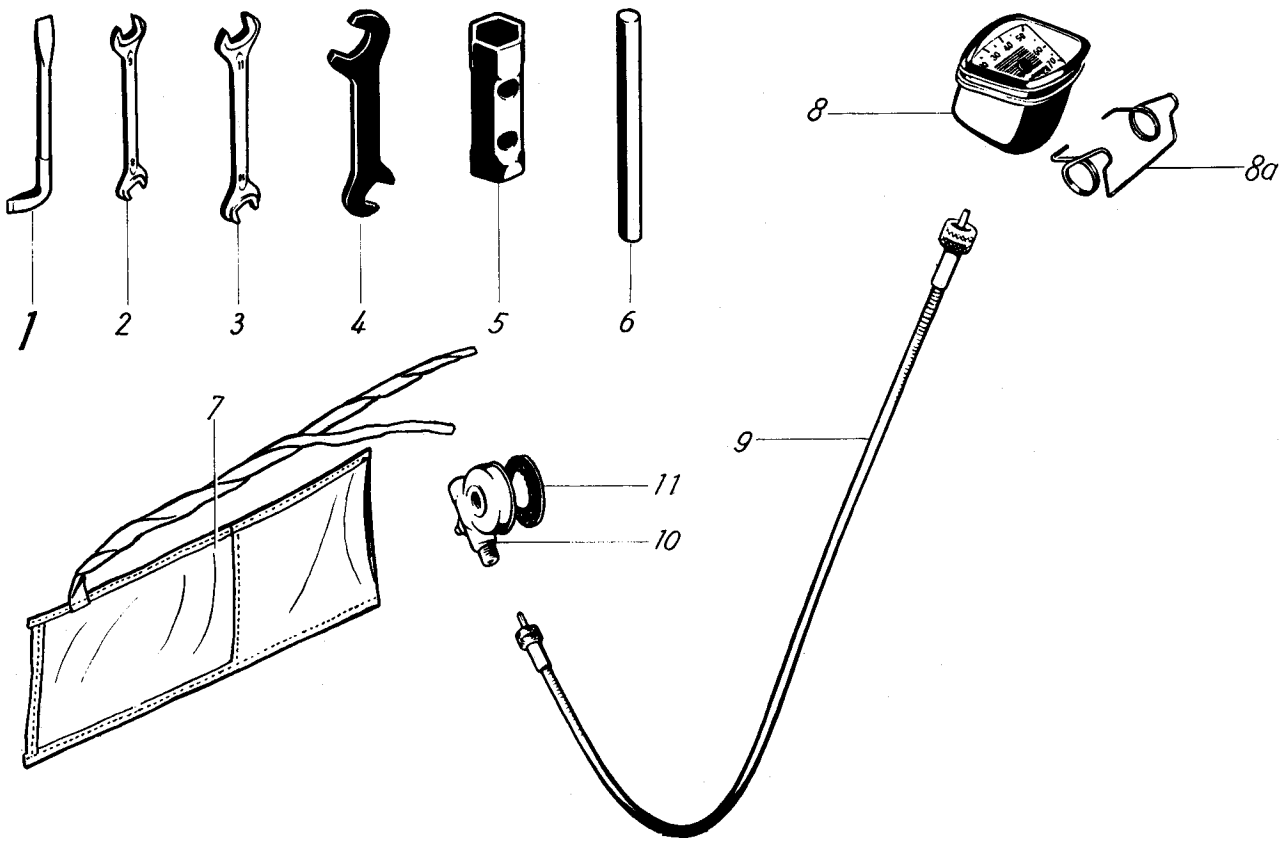




Description	Order-No.	Quantity	Remarks	Illustr.-No.
<b>QUICKLY-TT</b>				
	1			
<b>Exhaust pipe</b>	29 71 00 002	1		1
Gasket	16 71 00 002	2		2
Nut	16 71 00 001	1		3
<b>Silencer assy</b>	39 71 00 502	1		4
Silencer	16 71 02 505	1		5
Baffle	16 71 01 009	1		6
Lock washer	J 4,3 DIN 6798	1		7
Screw	AM 4x8 DIN 86	1		8
Exhaust pipe embellisher	39 71 00 501	1		9
Silencer clip	16 71 03 008	1		10
Silencer clip	39 71 00 003	1		11
Bolt	M 6x12 DIN 933	1		12
Spring washer	B 6 DIN 137	2		13
Nut	M 6 DIN 934	1		14
Clip	16 71 00 006	1		15
Bolt	M 5x18 DIN 933	1		16
Spring washer	A 5 DIN 137	2		17
Nut	M 5 DIN 934	1		18
Bolt	29 37 00 002	1	} also for footrests, right	19
Spring washer	B 12 DIN 137	1		20
Washer	29 37 00 033	1		21
<b>Fuel tank</b>	39 72 00 900	1		22
Sign. left	39 72 00 010	1	} 3 906 331 / 3 906 675 ->	—
Sign. right	39 72 00 011	1		—
Grooved pin	2,3x6 DIN 1476	4		—
Filler cap	16 72 01 504	1		23
Gasket	16 72 00 024	1		24
Pad	39 72 00 007	1		25
Cover strip	39 72 00 036	1		26
Bolt	M 6x12 DIN 933	2		27
Spring washer	B 6 DIN 137	4		28
Nut	M 6 DIN 934	2		29
Sign. NSU, left	29 66 00 017	1	} -> 3 906 330 / 3 906 674	30
Sign. NSU, right	29 66 00 014	1		31
Grooved pin	2x6 DIN 1476	6		32
Hose	11 72 00 006	1	5x9 mm diam L = 120 mm	33
<b>Fuel tap</b>	16 72 01 505	1		34
Strainer	16 72 00 905	1		35
Gasket	16 72 00 903	2		36
Nut	16 72 00 904	1		37
Casket	16 72 00 901	1		38
Connector	16 72 00 900	1		39
Nut	16 72 00 902	1		40
Hose	033 109 155	1	5x9 mm diam L = 200 mm	41
Sleeve	023 104 269	2		42

Description	Order-No.	Quantity	Remarks	Illustr.-No.
<b>QUICKLY-TT</b>				
	1 2 3			
<b>Cabel harness</b>	39 80 00 502	1		—
<b>Lead</b> — engine — head lamp	39 80 01 501	1		—
Ground cable (headlight)	39 80 00 503	1		—
Rubber sleeve	39 39 00 005	1	} s. page 102, Illustr.-No. 15/16	—
Rubber sleeve	16 93 00 057	1		—
<b>Headlamp</b>	29 81 00 508	1		1
Rim	29 81 00 902	1		2
Lens	29 81 00 914	1		3
<b>Reflector w/spring</b>	29 81 00 920	1		4
Socket	29 81 00 921	1		5
Screw	29 81 00 919	4		6
Cylinder screw	29 81 00 901	1		7
Ground cable	29 81 00 917	1		—
Spring	29 81 00 918	1		8
Gasket	29 81 00 905	1		9
Nut	29 81 00 908	1		10
Spring	29 81 00 909	1		11
Washer	29 81 00 910	1		12
Screw	29 81 00 911	1		13
Screw	29 81 00 912	1		14
Circlip	29 81 00 913	1		15
Bulb	16 81 00 514	1	6 V 15 W Bilux	16
Rattle	29 81 00 504	1		17
Lead for rattle	16 81 00 003	1	L = 250 mm	—
Dipswitch	39 81 00 501	1		18
Tightening strap	16 81 00 927	1		—
Dipper-switch lead	16 81 00 903	1		—
<b>Tail lamp</b>	29 81 01 510	1		19
Casing with no plate cover	29 81 00 925	1		20
Screw	29 81 00 901	1		—
Gasket	29 81 00 923	1		21
Outlet of light	29 81 00 924	1		22
Screw	29 81 00 907	2		23
Bulb	126 110 414	1	H 6 V 3 W	24
<b>Switch</b>	16 43 00 510	1		—
Insulating plate	16 81 00 933	1		25
Contact plate	16 81 01 924	1		26
Switch lever	16 81 02 905	1		27
Contact bridge	16 81 01 906	1		28
Spring	16 81 01 907	1		29
Washer	16 81 01 908	1		30
Split pin	1x12 DIN 94	1		31





All rights reserved by NSU  
Reproduction or translation of this Instruction Book  
- either in excerpt or in toto - is not permitted  
without the written approval Messrs.

NSU WERKE AKTIENGESELLSCHAFT NECKARSULM

TC2 731 b 1 6 60 33

Printed in Germany