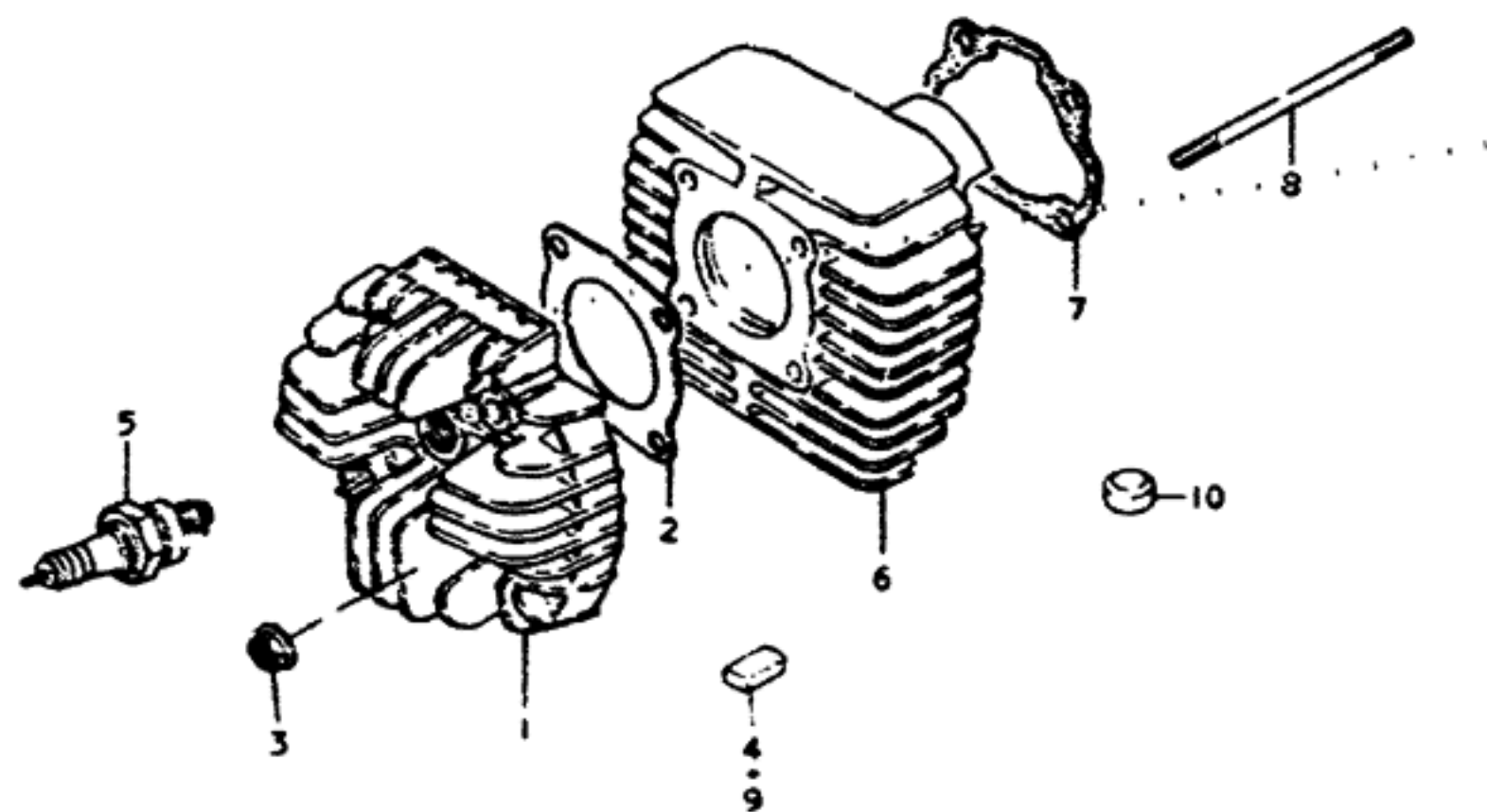


FIG. 1

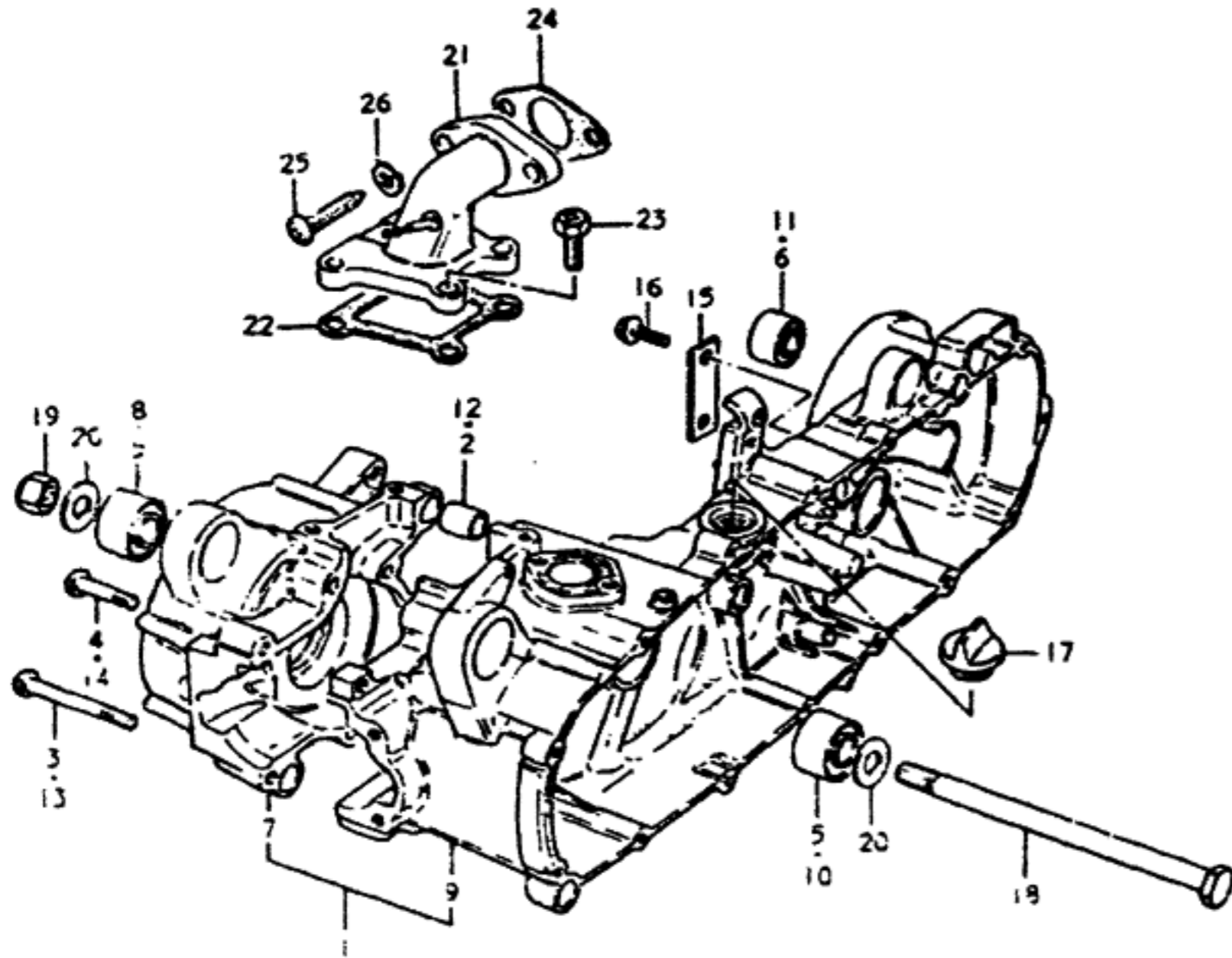


1

FIG. 1 CYLINDER

Ref. No.	Part No.	Description	Qty	Remarks
1	11111-02302	CYLINDER HEAD	1	
2	11141-06110	GASKET	1	
3	08316-16068	NUT	4	
4	11252-02300	RUBBER PAD	2	model N, T
5-1	09482-00170	SPARK PLUG (NGK, #14FR-UL)	1	
5-2	09482-00171	SPARK PLUG (ND, #14FR-UL)	1	
6	11211-02402	CYLINDER	1	
7	11241-02300	GASKET	1	
8	01421-06908	STUD BOLT	4	
9	11252-02300	RUBBER PAD	10	
10	11252-28000	RUBBER PAD	2	

FIG.2



Ref. No.	Part No.	Description	Qty	Remarks
1	11300-02870	CRANKCASE SET	1	model N
2	09206-13001	•PIN	2	
3	02112-06808	•SCREW (6x80)	2	
4	02112-06408	•SCREW (6x40)	4	
5	09319-10027	•BUSH, engine mounting	2	
6	09319-12002	•BUSH, rear shock absorber	1	
7	11301-02820	RH CRANKCASE SET	1	model T
8	09319-10027	•BUSH, engine mounting	1	
9	11301-02840	LH CRANKCASE SET	1	
10	09319-10027	•BUSH, engine mounting	1	
11	09319-12002	•BUSH, rear shock absorber	1	
12	09206-13001	PIN	2	
13	02112-06808	SCREW (6x80)	2	
14	02112-06408	SCREW (6x40)	4	
15	11329-02300	PLATE, breather	1	
16	09360-06011	BOLT	1	
17	09259-20003	PLUG, oil filler	1	
18	61211-43000	BOLT, engine mounting	1	
19	09159-10011	NUT	1	
20	08322-11108	WASHER	2	
21	13150-02400	REED VALVE ASSY	1	
22	13156-02300	GASKET	1	
23	09128-06002	BOLT	4	
24	13125-46100	GASKET, carburetor	1	
25	09139-06007	SCREW	2	
26	08321-21068	LOCK WASHER	2	

FIG.3

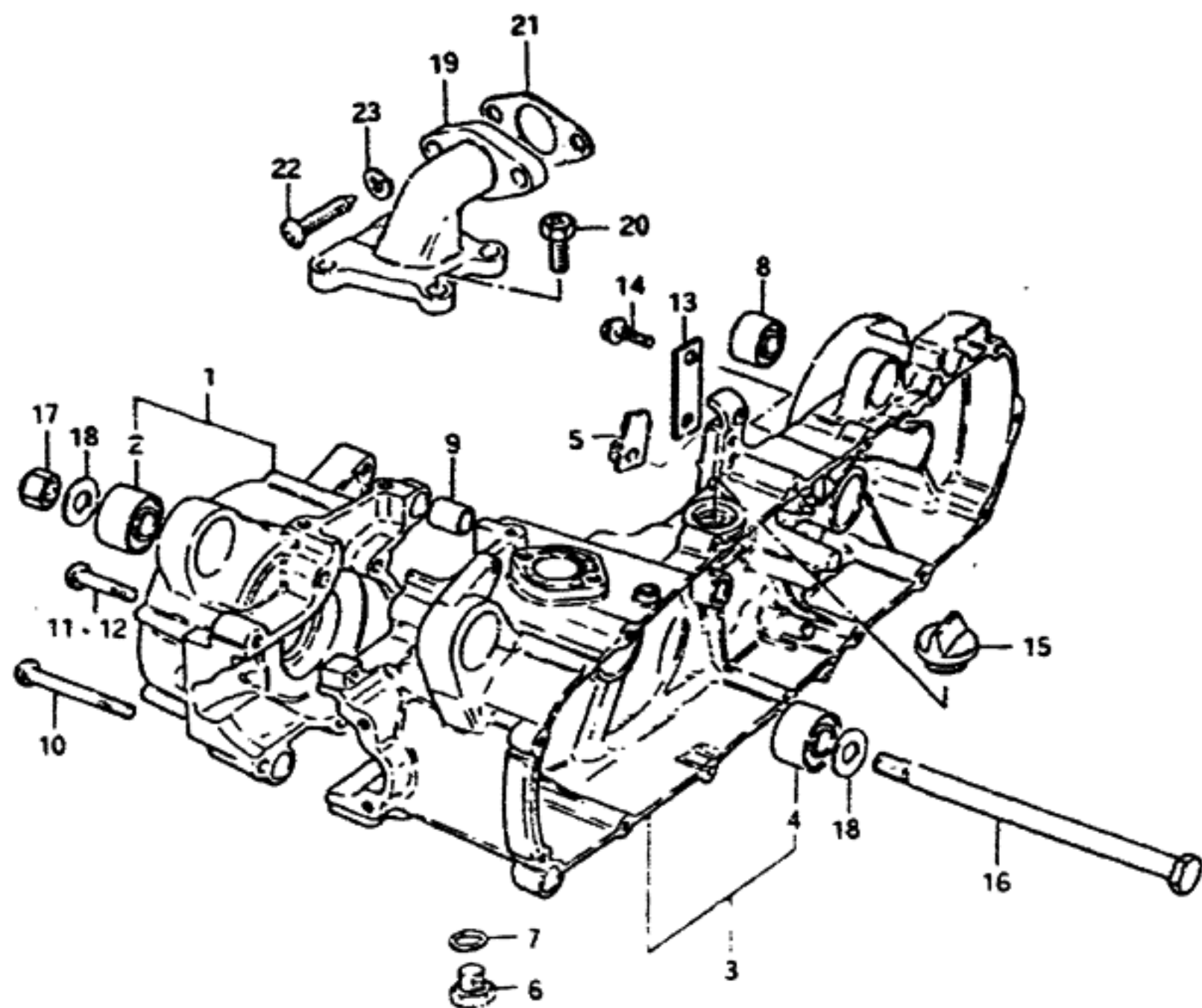


FIG.3 CRANKCASE (FZ50X)

Ref. No.	Part No.	Description	Qty	Remarks
1	11302-02820	RH CRANKCASE SET	1	
2	09319-10027	•BUSH, engine mounting	1	
3	11301-02843	LH CRANKCASE SET	1	
4	09319-10027	•BUSH, engine mounting	1	
5	58570-02500	•PLATE	1	
6	09247-10001	•PLUG, oil drain	1	
7	09168-10002	•GASKET	1	
8	09319-10032	BUSH, rear shock absorber	1	
9	09206-13001	PIN	2	
10	02112-06808	SCREW (6x80)	2	
11	02112-06408	SCREW (6x40)	3	
12	02112-06458	SCREW (6x45)	1	
13	11329-02300	PLATE, breather	1	
14	09360-06011	BOLT	1	
15	09259-20003	PLUG, oil filler	1	
16	61211-43000	BOLT, engine mounting	1	
17	09159-10011	NUT	1	
19	08322-11108	WASHER	2	
19	13150-02420	REED VALVE ASSY	1	
20	09128-06002	BOLT	4	
21	13125-46100	GASKET, carburetor	1	
22	09139-06007	SCREW	2	
23	08321-21068	LOCK WASHER	2	

FIG.4

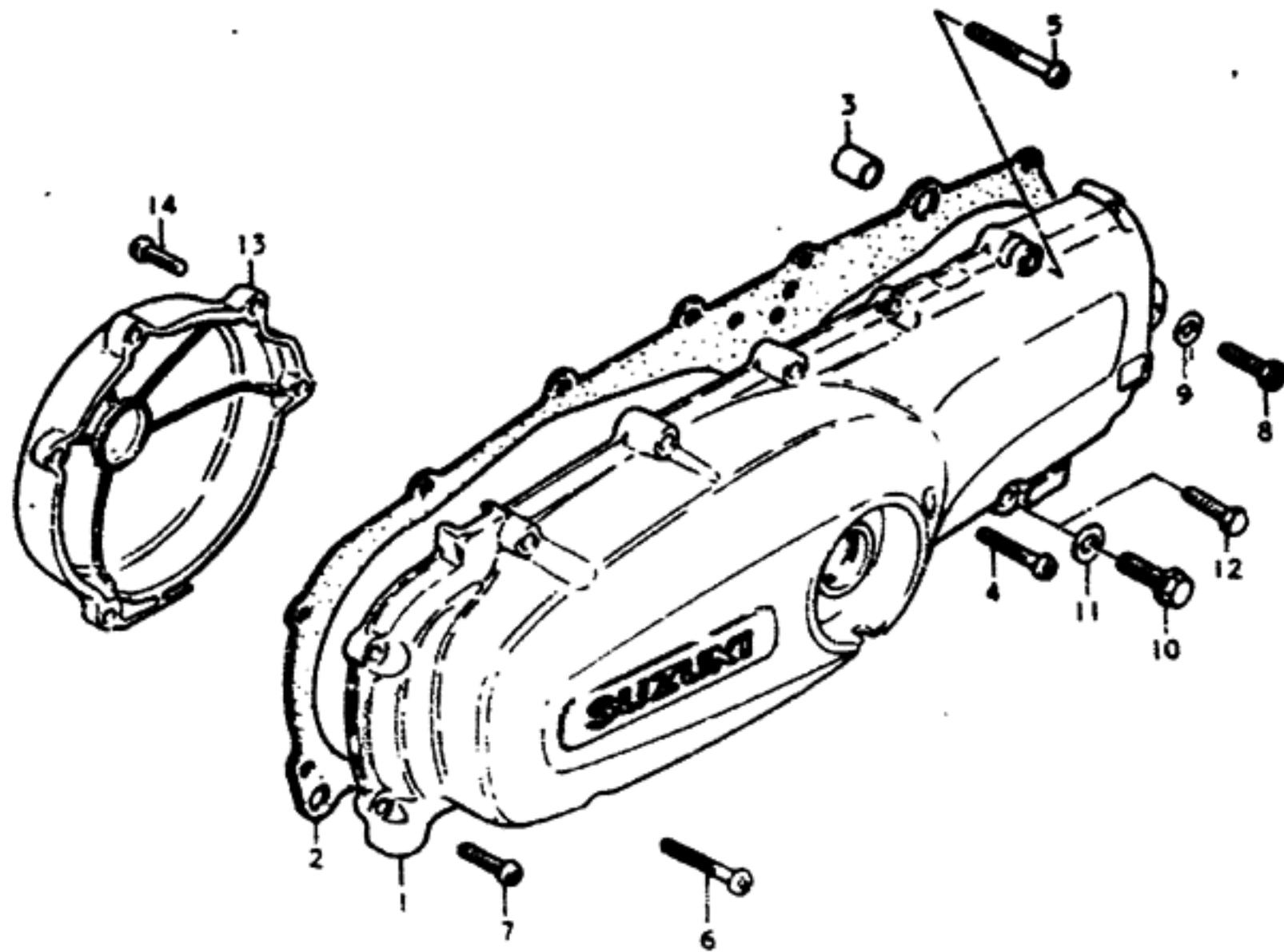


FIG.4 CRANKCASE COVER

Ref. No.	Part No.	Description	Qty	Remarks
1-1	11341-02410	COVER, clutch	1	model N
1-2	11341-02411	COVER, clutch	1	model T
1-3	11341-02412	COVER, clutch	1	model X
2-1	11482-02302	GASKET	1	model N
2-2	11482-02303	GASKET	1	model T,X
3	09206-13001	PIN	2	
4	02112-06458	SCREW (6x65)	1	
5	02112-06458	SCREW (6x45)	1	
6	02112-06408	SCREW (6x40)	6	
7	02112-06258	SCREW (6x25)	6	
8	09128-06024	BOLT, oil level	1	
9	09168-06004	GASKET	1	
10	01517-08258	BOLT, oil drain	1	model N,T
11	09168-08008	GASKET	1	model N,T
12	01107-08258	BOLT	1	model X
13-1	11351-02301	COVER, magneto	1	model N
13-2	11351-02302	COVER, magneto	1	model T,X
14	02112-06208	SCREW (6x20)	5	

FIG.5

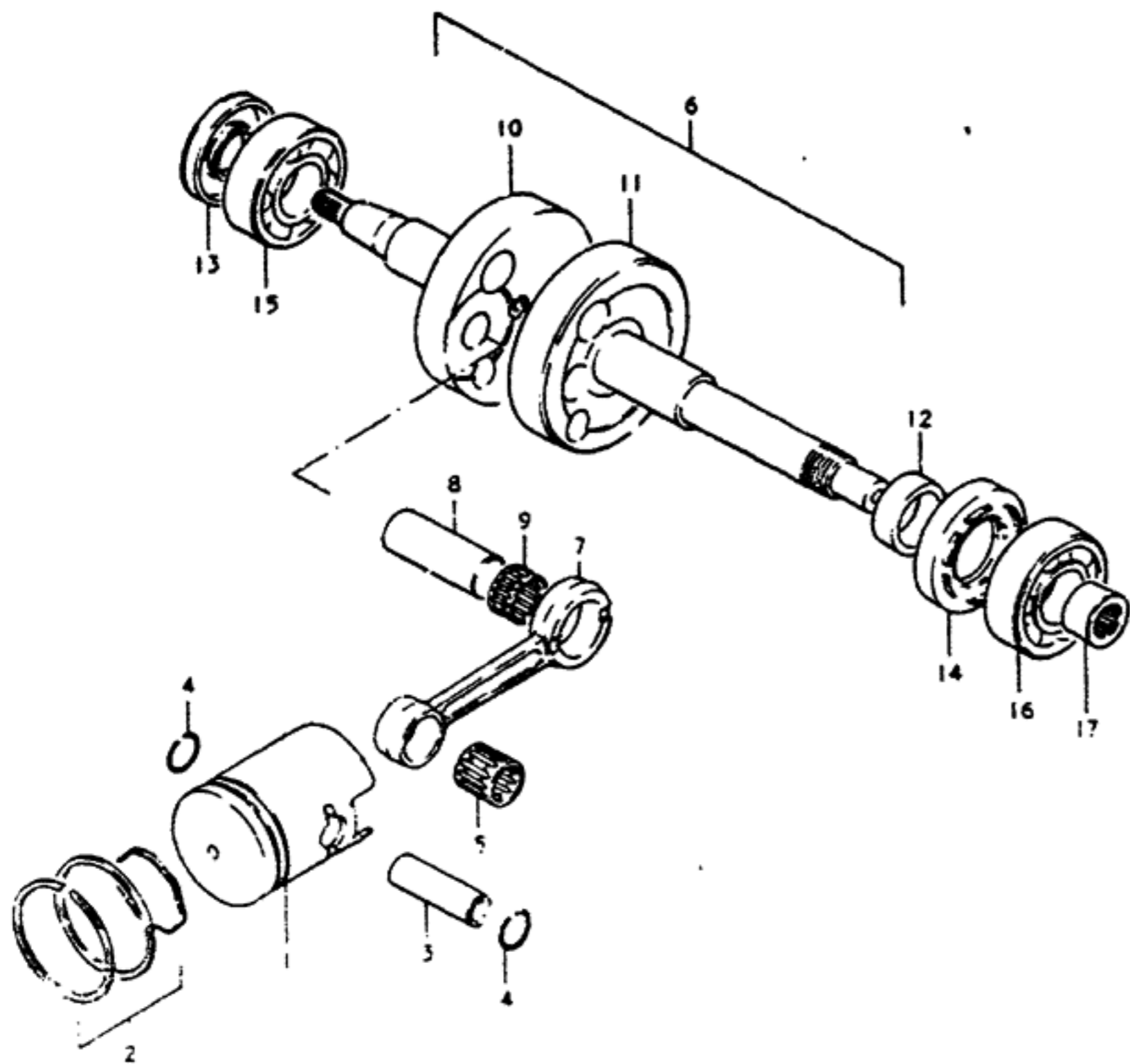


FIG.5 CRANKSHAFT

Ref. No.	Part No.	Description	Qty	Remarks
1-1	12110-35613	PISTON (STD)	1	
1-2	12110-35613-050	PISTON (OS:0.5)	1	
1-3	12110-35613-100	PISTON (OS:1.0)	1	
2-1	12140-43000	RING SET, piston (STD)	1	
2-2	12140-46110-050	RING SET, piston (OS:0.5)	1	
2-3	12140-46110-100	RING SET, piston (OS:1.0)	1	
3	12151-02000	PIN, piston	1	
4	09381-12001	CIRCLIP	2	
5	09263-12002	BEARING	1	
6	12200-02311	CRANKSHAFT ASSY	1	
7	12161-04001	ROD, connecting	1	
8	12211-02300	PIN, crank	1	
9	09263-15014	BEARING	1	
10-1	12221-02310	CRANKSHAFT, RH	1	model N,T
10-2	12221-02311	CRANKSHAFT, RH	1	model X
11	12261-02311	CRANKSHAFT, LH	1	
12	09180-20021	SPACER, LH	1	
13	09283-20033	OIL SEAL, RH	1	
14	09283-26013	OIL SEAL, LH	1	
15	09262-20048	BEARING, RH	1	
16	09262-20019	BEARING, MIDDLE	1	
17	09263-12014	BEARING, LH	1	

FIG.6

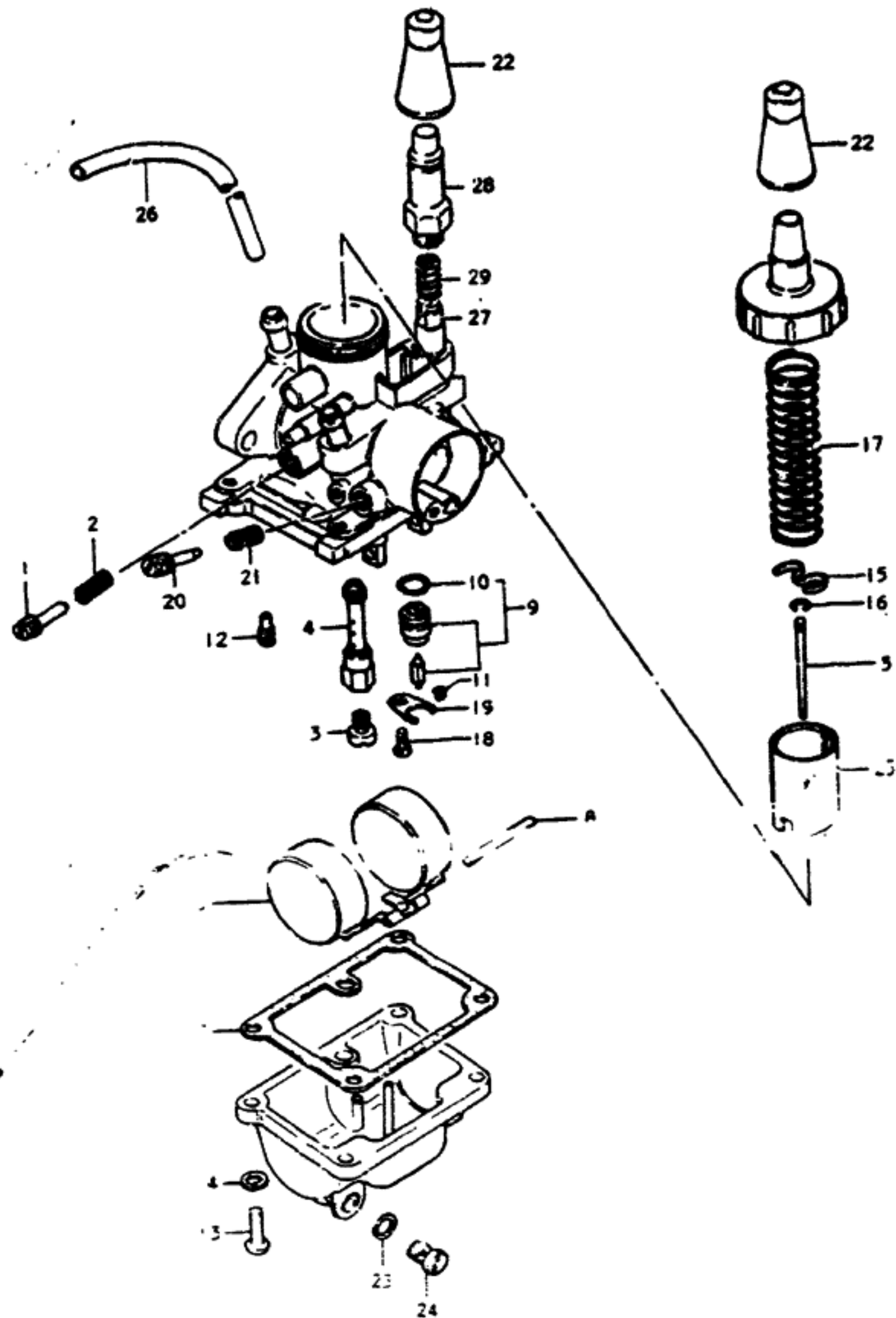
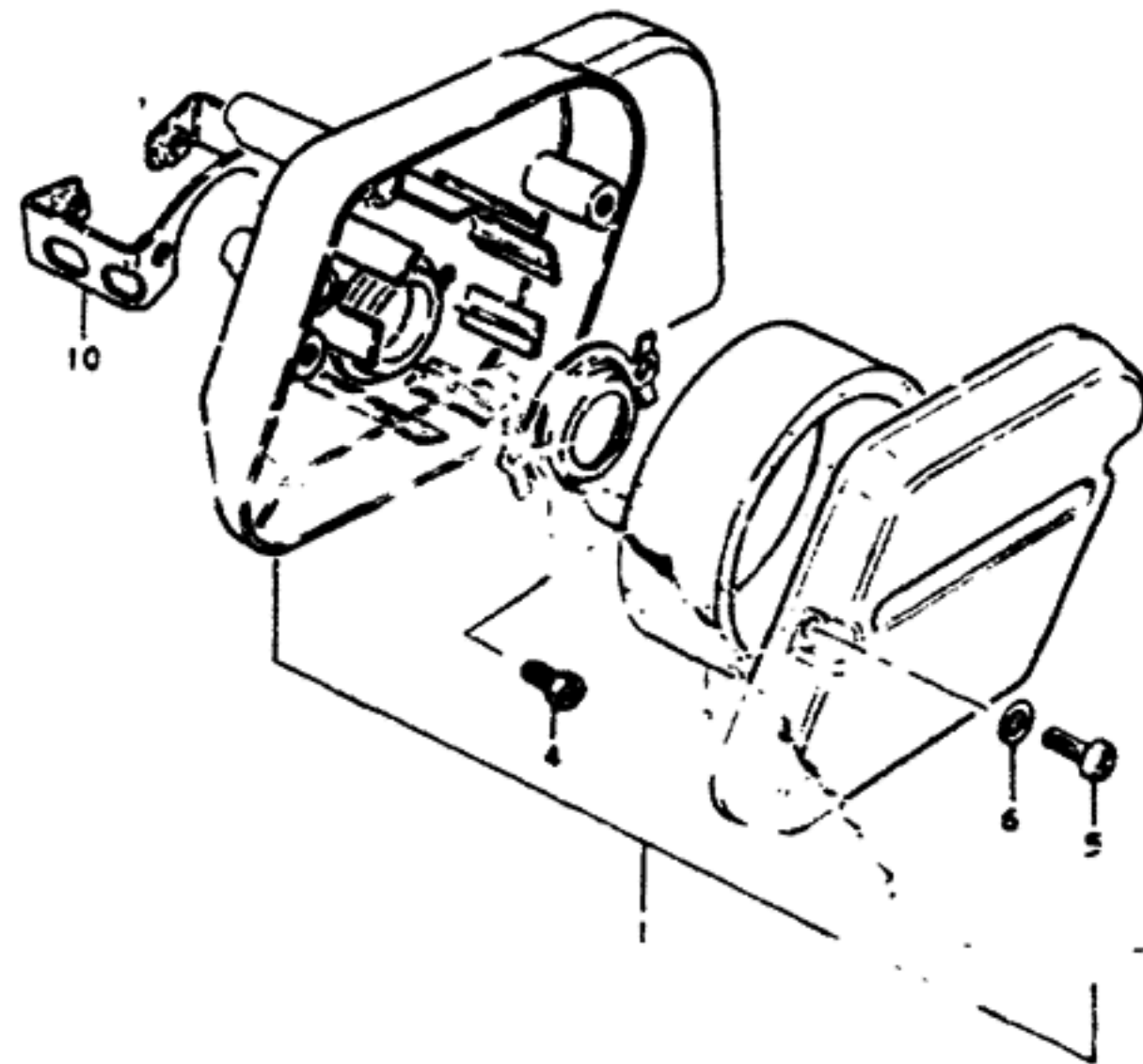


FIG.6 CARBURETOR

Ref. No.	Part No.	Description	Qty	Remarks
	13200-02420	CARBURETOR ASSY	1	model N,T
	13200-02421	CARBURETOR ASSY	1	model X
1	13267-01010	•SCREW, throttle stop	1	
2	13268-01010	•SPRING	1	
3	09491-57003	•JET, main (57.5)	1	
4	09494-00234	•JET, needle (E-2)	1	
5	13383-02400	•NEEDLE, jet (3D13-3)	1	
6	13252-02410	•FLCAT	1	
7	13251-02410	•GASKET	1	
8	13254-20010	•PIN	1	
9-1	13370-02411	•VALVE ASSY, needle	1	model N,T
9-2	13370-02421	•VALVE ASSY, needle	1	model X
10	13374-47610	•O RING	1	
11	13377-02410	•CLIP	1	
12	09492-15002	•JET, pilot (15)	1	
13	02112-04168	•SCREW	3	
14	08321-21048	•LOCK WASHER	4	
15	13581-01010	•SCREW, needle	1	
16	13394-10010	•CLIP, needle	1	
17	13373-46710	•SPRING, throttle valve	1	
18	02112-03088	•SCREW	1	
19	13373-46710	•PLATE	1	
20	13269-04010	•SCREW, air	1	
21	13268-01010	•SPRING	1	
22	13681-16001	•BOOT	2	
23	13249-05010	•GASKET	1	
24	13247-05010	•PLUG, drain	1	
25	13551-02400	•VALVE, throttle (CA:2.0)	1	
26	13683-45050	•HOSE	1	
27	13411-01010	•VALVE, starter	1	
28	13418-02420	•CAP	1	
29	13417-01010	•SPRING	1	

FIG.7

FIG.7 AIR CLEANER



Ref. No.	Part No.	Description	Qty	Remarks
1-1	13700-02410	CLEANER ASSY, air	1	model N
1-2	13700-02412	CLEANER ASSY, air	1	mod T, X
2	13781-02401	•ELEMENT	1	
3	13722-02411	•WASHER	1	
4	09128-06011	•BOLT	2	
5	02112-06208	•SCREW	2	
6	08322-21068	•WASHER	2	
7	13730-02302	BRACKET	1	

FIG. 8

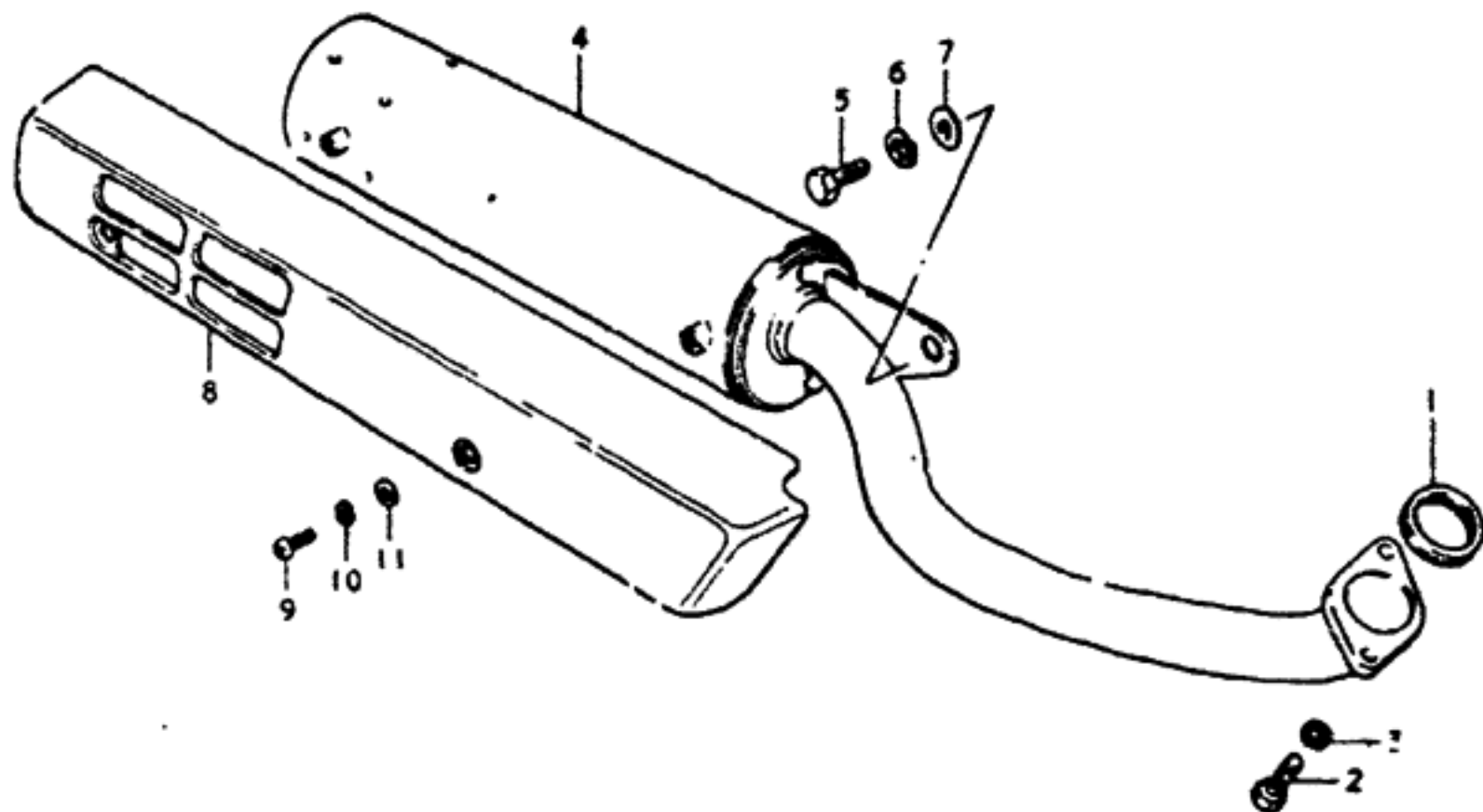


FIG. 8 MUFFLER

Ref. No.	Part No.	Description	Qty	Remarks
1	14181-03310	GASKET	1	
2	09100-08064	BOLT	2	
3	08321-21063	LOCK WASHER	2	
4	14310-02401	MUFFLER	1	
5	01107-08258	BOLT	1	
6	08321-21088	LOCK WASHER	1	
7	08322-21088	WASHER	1	
8-1	14780-02400-126	COVER, muffler	1	model N,T
8-2	14780-02401-126	COVER, muffler	1	model X
9	02112-05108	SCREW	2	
10	08321-21058	LOCK WASHER	2	
11	08322-21058	WASHER	2	

FIG. 9

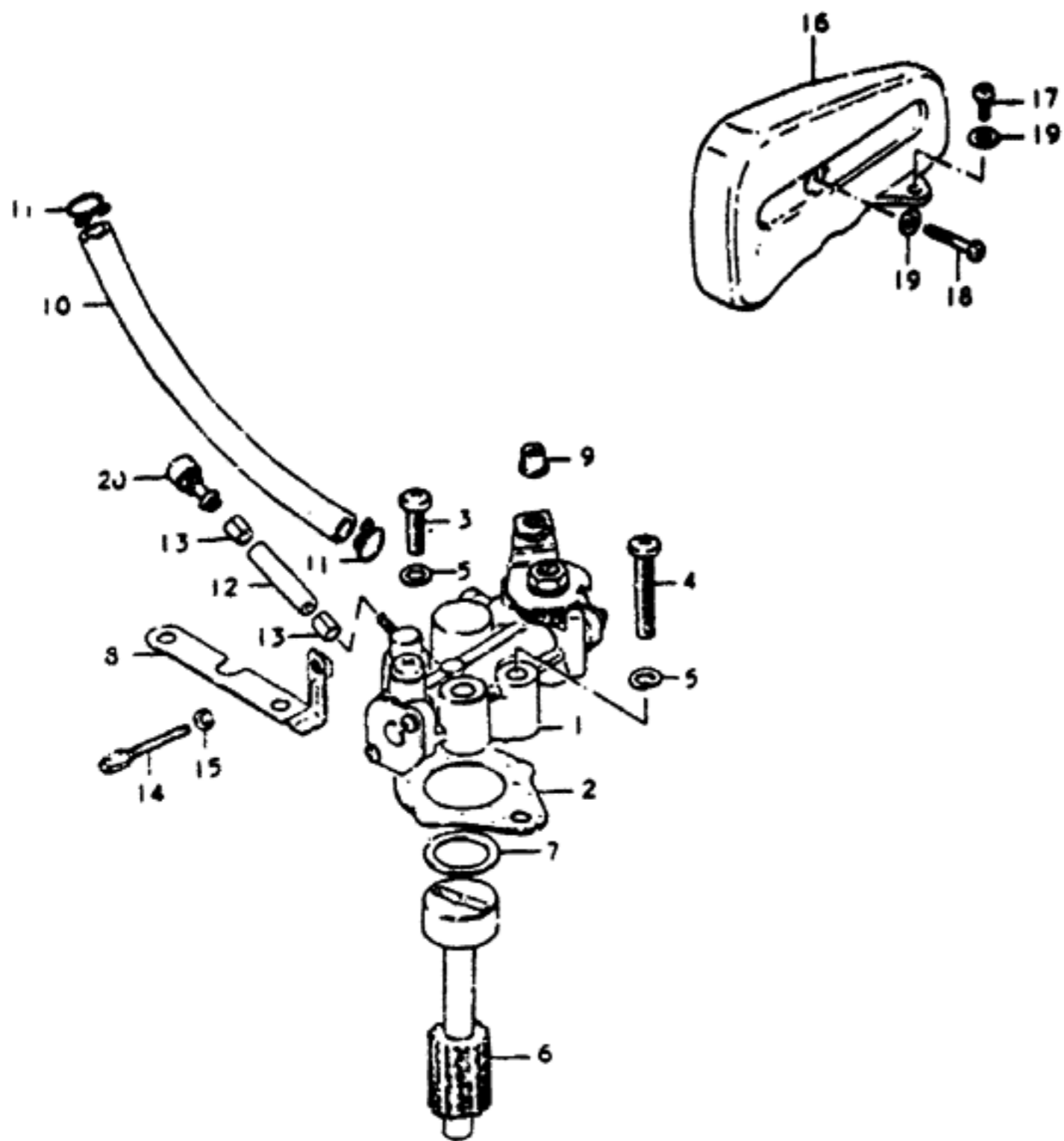
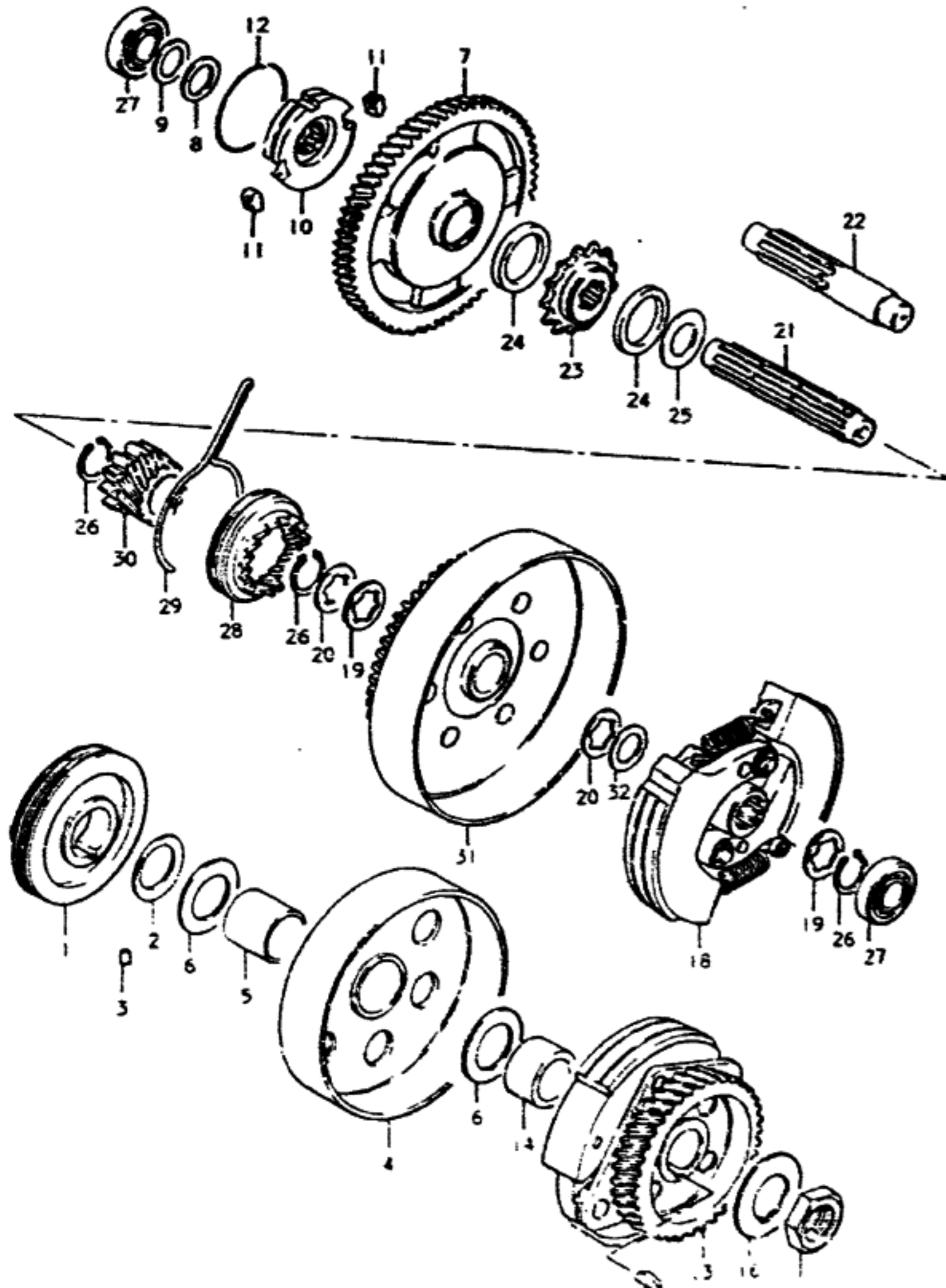


FIG. 9 OIL PUMP

Ref. No.	Part No.	Description	Qty	Remarks
1	16100-02410	PUMP, oil	1	
2	16731-03101	GASKET	1	
3	02112-05108	SCREW	1	
4	02112-05308	SCREW	1	
5	08321-21058	LOCK WASHER	2	
6	16331-02302	GEAR, driven (NT:14)	1	
7	08212-16202	WASHER	1	
8-1	16290-02401	BRACKET, CABLE	1	model N
8-2	16290-02402	BRACKET, CABLE	1	model Y,X
9	16292-03111	TERMINAL, cable	1	
10	09343-04033	HOSE, oil No.1 (L:220)	1	
11	09401-08401	CLAMP	1	
12	09343-02028	HOSE, oil No.2 (L:180)	1	
13	09401-04401	CLAMP	2	
14	09119-09014	ADJUSTER, cable	1	
15	08310-12088	NUT	1	
16	11411-02402	COVER, oil pump	1	
17	02112-05128	SCREW	1	
18	02112-05358	SCREW	1	
19	08322-21058	WASHER	2	
20	16910-31000	UNION, oil hose	1	model X

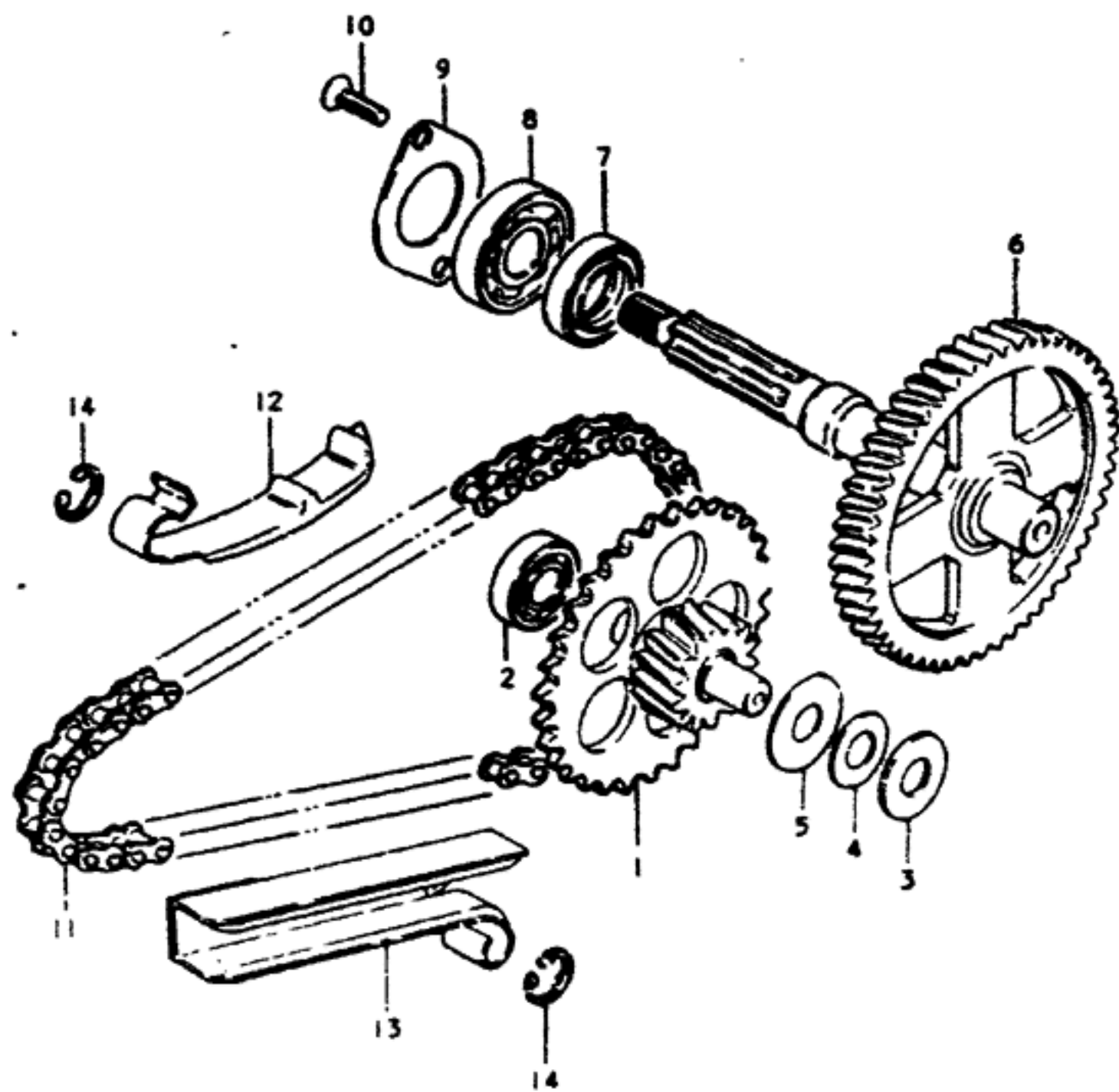
FIG.10



Ref. No.	Part No.	Description	Q'ty	Remarks
1	16321-02302	GEAR, oil pump drive (NT:2)	1	
2	09164-20004	WAVE WASHER	1	
3	06211-04063	PIN	1	
4	21110-02410	GEAR, primary drive (NT:29)	1	
5	09180-16016	SPACER	1	
6	08211-16302	WASHER	2	
7	21200-02403	GEAR, primary driven (NT:52)	1	
8	09160-12037	WASHER	1	
9	08221-1525	SHIM	1	
10-1	21262-02402	INNER, one way	1	model N
10-2	21262-02403	INNER, one way	1	model T, X
11	21263-02401	PAWL, one way	2	
12	09380-36001	SPRING	1	
13	21500-02411	CLUTCH, No.1 (NT:38)	1	
14-1	09180-16014	SPACER	1	model N
14-2	09180-16021	SPACER	1	model T, X
15	09140-16014	NUT	1	
16	09166-16010	LOCK WASHER	1	
17	08341-31039	KEY	1	
18	21500-02402	CLUTCH, No.2	1	
19	09161-15002	RING, rubber	2	
20	09167-15001	WASHER	2	
21	24121-02404	COUNTERSHAFT	1	model N
22	24121-02405	COUNTERSHAFT	1	model T, X
23	24171-02401	SPROCKET, drive (NT:13)	1	
24	09161-22003	DAMPER, chain	2	
25	08211-15261	WASHER	1	
26	08331-31159	CIRCLIP	3	
27	09252-12001	BEARING	2	
28	26231-02301	STARTER, kick	1	
29	26234-02300	RETAINER SPRING	1	
30-1	26261-02302	GEAR, kick idle (NT:12)	1	model N
30-2	26261-02400	GEAR, kick idle (NT:12)	1	model T, X
31-1	26280-02404	GEAR, kick driven	1	model N
31-2	26280-02405	GEAR, kick driven	1	model T, X
32	08221-15204	SHIM	AR(0-3)	

FIG. 11

FIG. 11 FINAL DRIVE - CHAIN



Ref. No.	Part No.	Description	Qty	Remarks
1	24210-02400	GEAR, fina' drive (NT:17/31)	1	
2	09262-12001	BEARING, RH	1	
3	08211-12241	WASHER	1	
4	08221-12204	SHIM (T:0.2)	AR(0-3)	
5	09181-12006	SHIM (T:0.3)	AR(0-1)	
6	24130-02400	DRIVESHAFT (NT:62)	1	
7	09283-20024	OIL SEAL	1	
8	08133-63027	BEARING	1	
9	24751-02400	RETAINER	1	
10	02122-06168	SCREW	2	
11	27600-02310	CHAIN, drive (270x64L)	1	
12-1	27631-02352	TENSIONER, chain	1	model N,T
12-2	27631-02353	TENSIONER, chain	1	model X
13	27631-02450	GUIDE, chain	1	
14	08352-11089	E RING	2	

FIG. 12

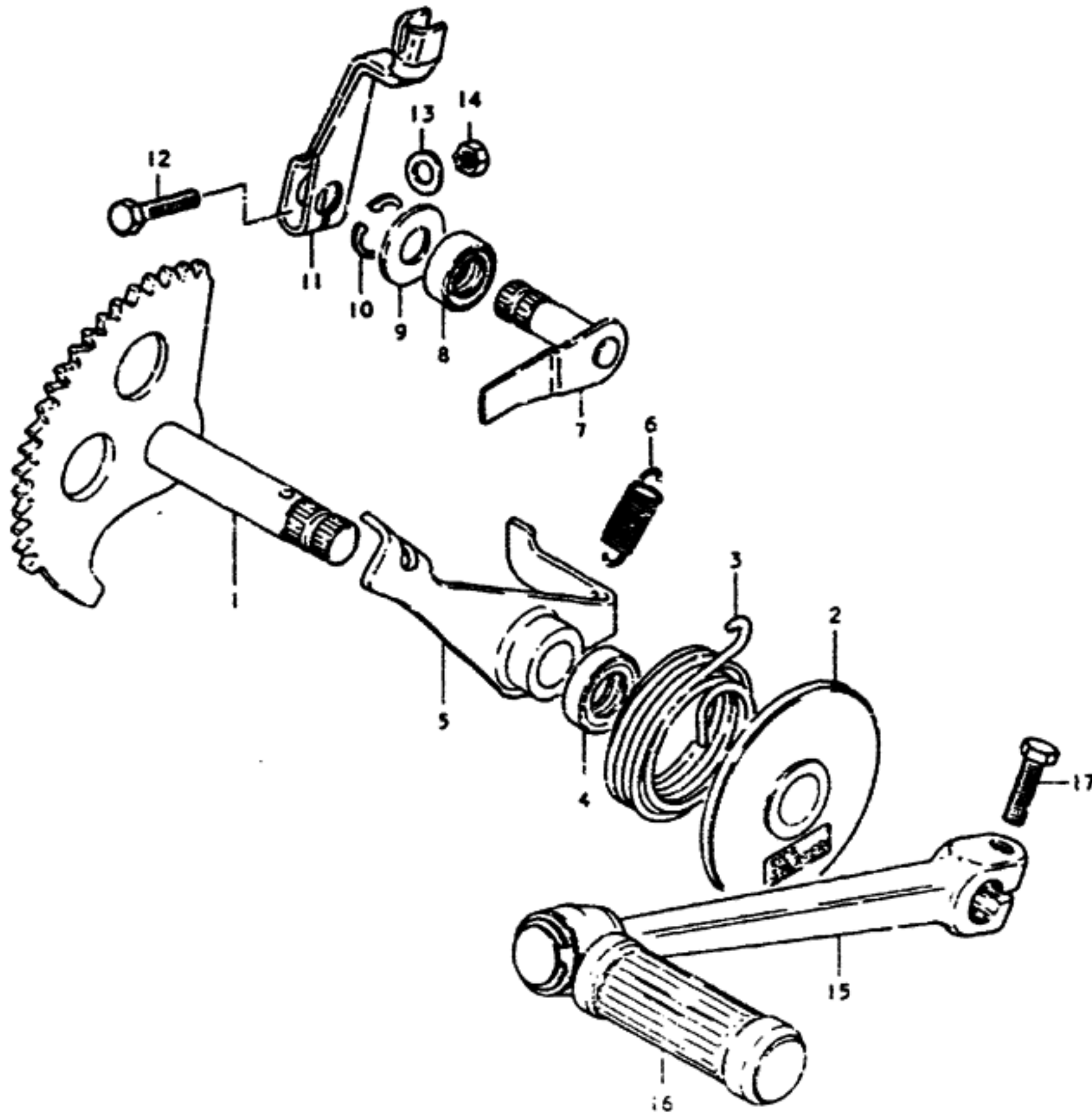


FIG. 12 KICK STARTER (FZ50N)

Ref. No.	Part No.	Description	Qty	Remarks
1	26210-02402	SHAFT, kick s'arter	1	
2	26221-02301	GUIDE, spring	1	
3	09448-49002	SPRING	1	
4	08285-14001	OIL SEAL	1	
5	26252-02300	GUIDE	1	
6	09443-10018	SPRING	1	
7	26233-02300	LIFTER	1	
8	09285-12002	OIL SEAL	1	
9	09160-12020	WASHER	1	
10	08332-11108	E RING	1	
11	26236-02301	LEVER, lifter	1	
12	01107-06258	BOLT	1	
13	08322-21068	WASHER	1	
14	08310-11068	NUT	1	
15	26300-02301	LEVER ASSY, kick starter	1	
16	26352-01000	COVER	1	
17	09100-06091	BOLT	1	

FIG. 13

FIG. 13 KICK STARTER (FZ50T, FZ50X)

Qty

Ref. No.	Part No.	Description	Qty	Remarks
1	26210-02410	SHAFT, kick starter	1	
2	26221-02410	GUIDE, spring	1	
3	09448-56001	SPRING	1	
4	09285-14001	OIL SEAL.	1	
5	26232-02301	GUIDE	1	
6	09443-08018	SPRING	1	
7	26233-02300	LIFTER	1	
8	09285-12002	OIL SEAL	1	
9	09160-12020	WASHER	1	
10	08332-11108	E RING	1	
11	26236-02400	LEVER, lifter	1	
12	01107-06258	BOLT	1	
13	08316-16068	NUT	1	
14	26300-02361	LEVER ASSY, kick starter	1	
15	26352-01000	COVER	1	
16	01107-06208	BOLT	1	

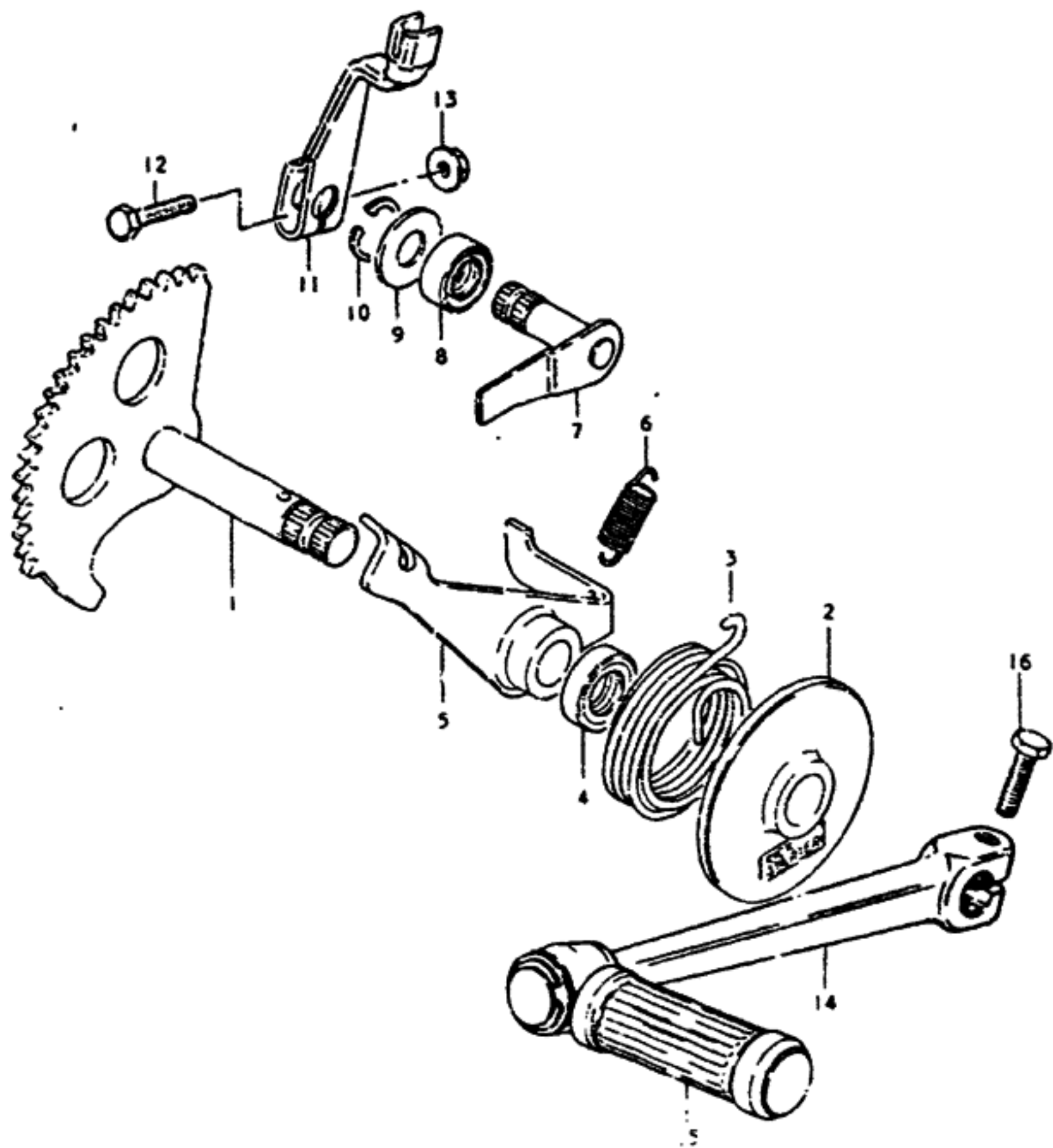


FIG. 14

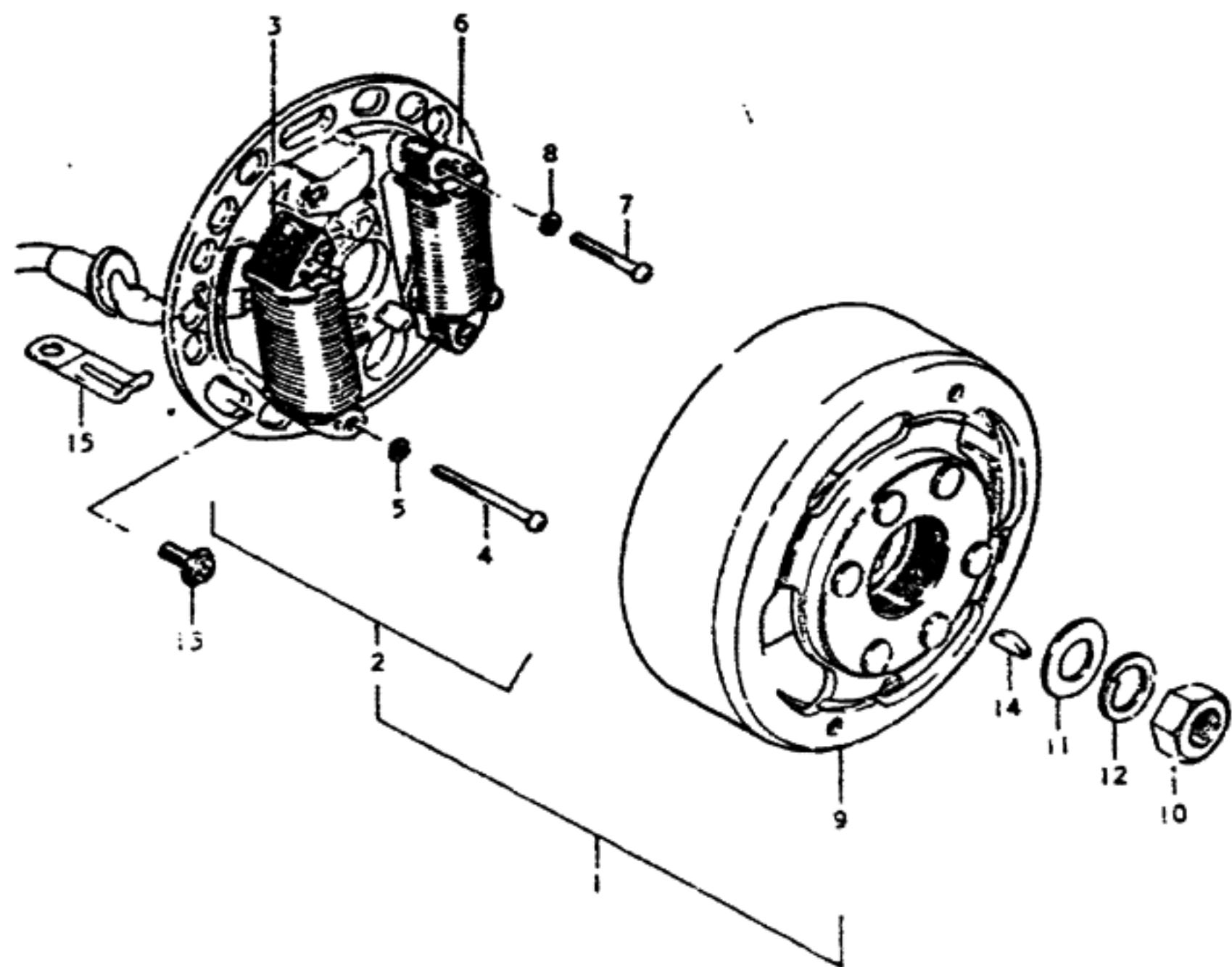


FIG. 14 MAGNETO

Ref. No.	Part No.	Description	Qty	Remarks
1-1	32100-02420	MAGNETO ASSY	1	model N
1-2	32100-02421	MAGNETO ASSY	1	model T
1-3	32100-02422	MAGNETO ASSY	1	model X
2-1	32101-02420	·STATOR ASSY	1	model N
2-2	32101-02421	·STATOR ASSY	1	model T
2-3	32101-02422	·STATOR ASSY	1	model X
3	32120-02420	··COIL, lighting	1	
4	02112-04308	··SCREW	2	
5	08321-21048	··LOCK WASHER	2	
6	32140-02420	··COIL, primary	1	
7	02112-04208	··SCREW	2	
8	08321-21048	··LOCK WASHER	2	
9-1	32102-02420	·ROTOR	1	model N
9-2	32102-02421	·ROTOR	1	model T
9-3	32102-02422	·ROTOR	1	model X
10	09140-10003	NUT	1	
11	08322-21108	WASHER	1	
12	08321-21108	LOCK WASHER	1	
13	09139-05011	SCREW	3	
14	08341-31039	KEY	1	
15	09404-06401	CLAMP, magneto lead wire	1	

FIG. 15

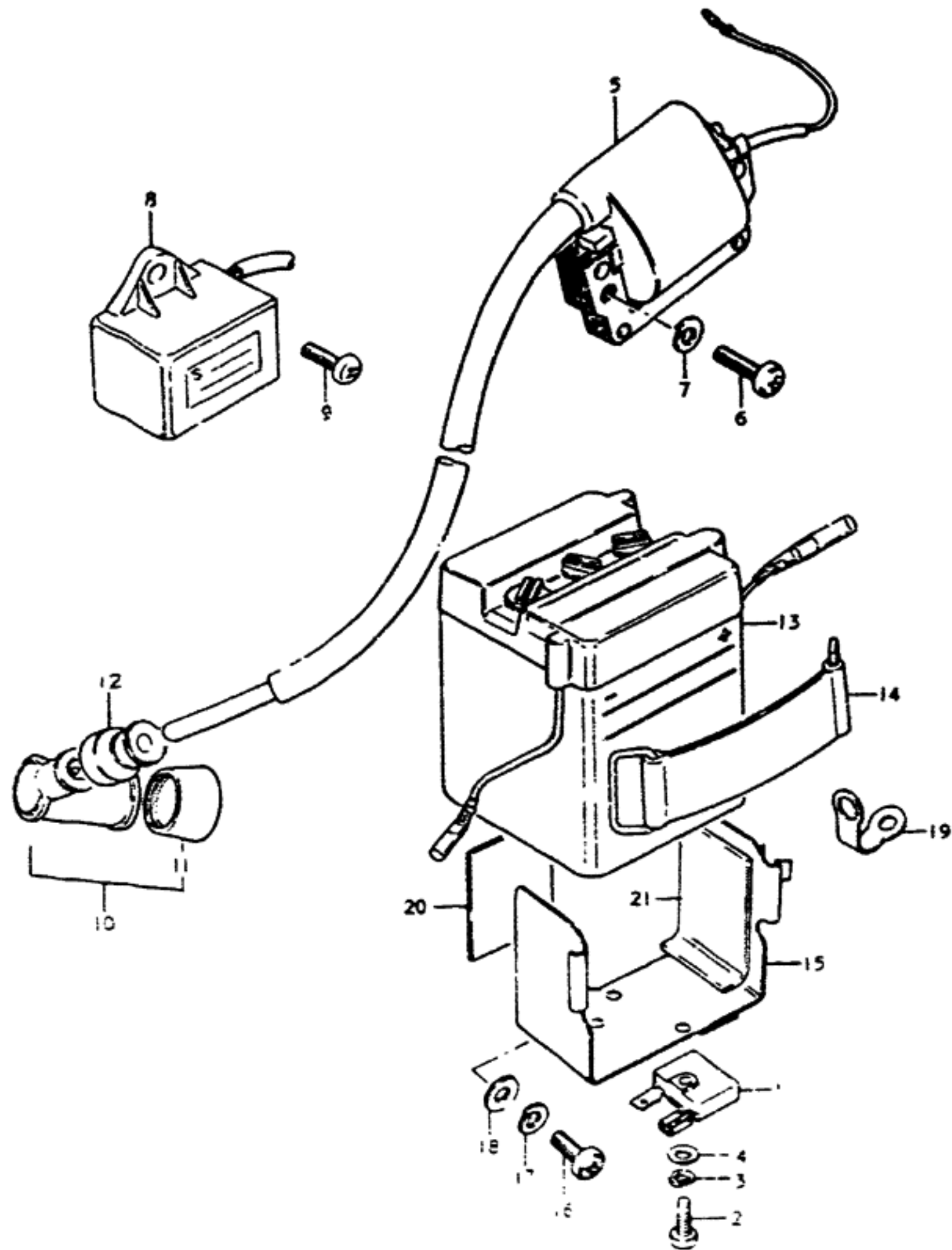


FIG. 15 BATTERY

Ref. No.	Part No.	Description	Qty	Remarks
1	32800-19063	RECTIFIER	1	
2	02112-05208	SCREW	1	
3	08321-21058	LOCK WASHER	1	
4	08322-21058	WASHER	1	
5-1	33410-02420	COIL ASSY, ignition	1	model N, T
5-2	33410-02430	COIL ASSY, ignition	1	model X
6	02112-06258	SCREW	2	
7	08321-21068	LOCK WASHER	2	
8-1	32900-02420	C.D.I. UNIT ASSY	1	model N
8-2	32900-02331	C.D.I. UNIT ASSY	1	model T
8-3	32900-02210	C.D.I. UNIT ASSY	1	model X
9	02112-06128	SCREW	1	
10	33500-69810	CAP SET, spark plug	1	
11	33541-69010	-SEAL, spark plug	1	
12	33542-98000	-SEAL, high tension cord	1	
13	33610-03010	BATTERY (6N4-2A)	1	
14	09462-00008	BAND	1	
15	41540-02400	HOLDER, battery	1	
16	02112-06128	SCREW	2	
17	08321-21068	LOCK WASHER	2	
18	08322-11068	WASHER	2	
19	09404-07704	CLAMP, battery exhaust pipe	1	
20	33652-36100	PROTECTOR, battery	1	
21	33652-34000	CUSHION, battery	2	

FIG. 16

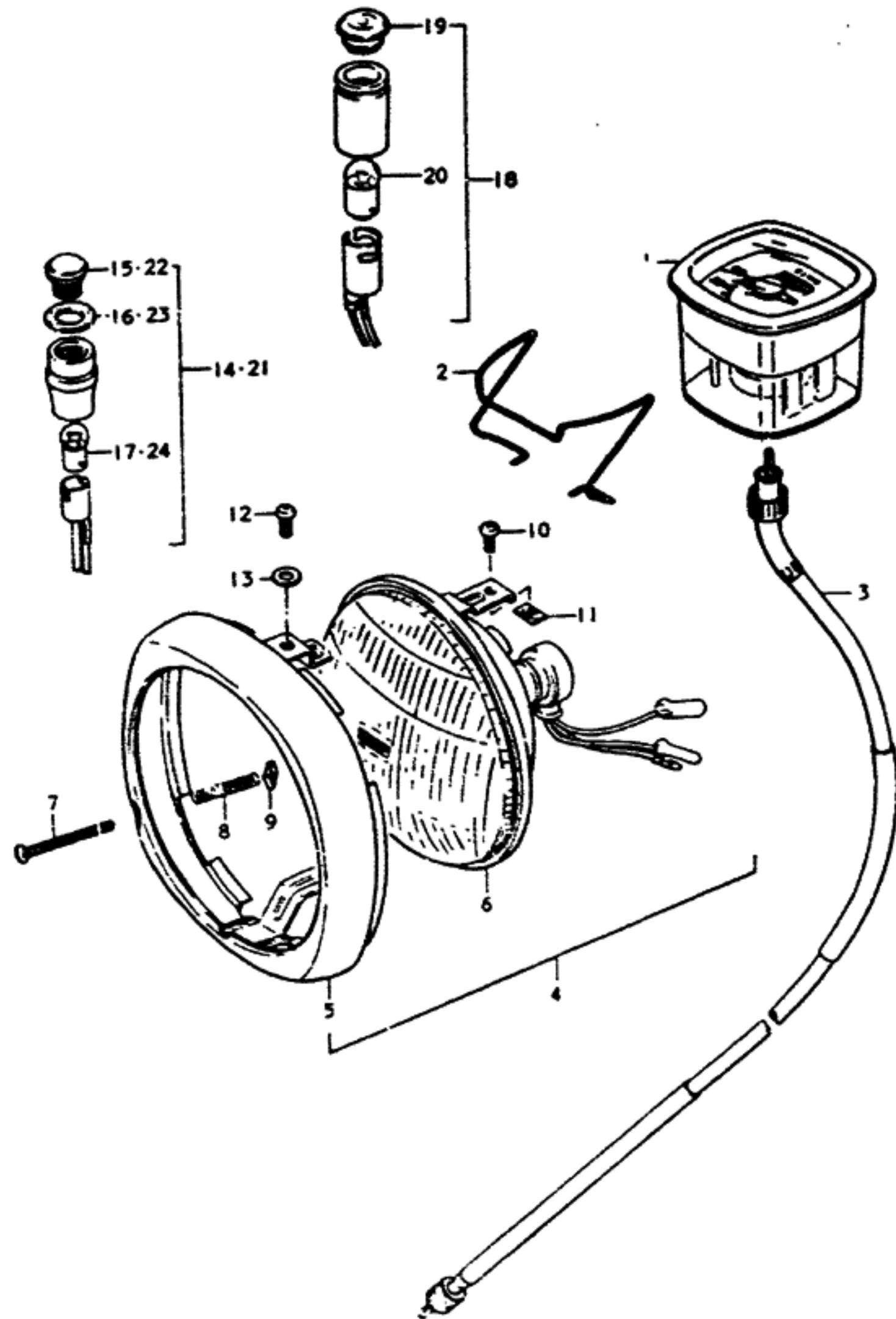


FIG. 16 SPEEDOMETER - HEADLAMP

Ref. No.	Part No.	Description	Qty	Remarks
1	34100-02410	SPEEDOMETER ASSY	1	
2-1	34981-02420	SPRING	1	model N
2-2	34981-02421	SPRING	1	model T, X
3-1	34910-02401	CABLE, speedometer	1	model N
3-2	34910-02402	CABLE, speedometer	1	model T
3-3	34910-02403	CABLE, speedometer	1	model X
4	35100-02430	HEADLAMP ASSY	1	
5	35111-02430	·RIM	1	
6	35121-02430	·UNIT	1	
7	35151-06020	·SCREW	1	
8	35154-01330	·SPRING	1	
9	35155-01321	·NUT	1	
10	02112-05088	·SCREW	2	
11	35135-12610	·NUT	2	
12	02142-04127	SCREW	1	
13	08322-21048	WASHER	1	
14	36330-02400	LAMP, beam indicator	1	} model N, T
15	36331-02400	·LENS	1	
16	36377-01610	·GASKET	1	
17	09471-06001	·BULB (6V, 1.7W)	1	}
18	36330-02500	LAMP, beam indicator	1	
19	36331-02500	·LENS	1	}
20	09471-06001	·BULB (6V, 1.7W)	1	
21	36340-02400	LAMP, turn signal pivot	1	— model X
22	36361-41400	·LENS	1	
23	36377-01610	·GASKET	1	
24	09471-06002	·BULB (6V, 3W)	1	

FIG.17

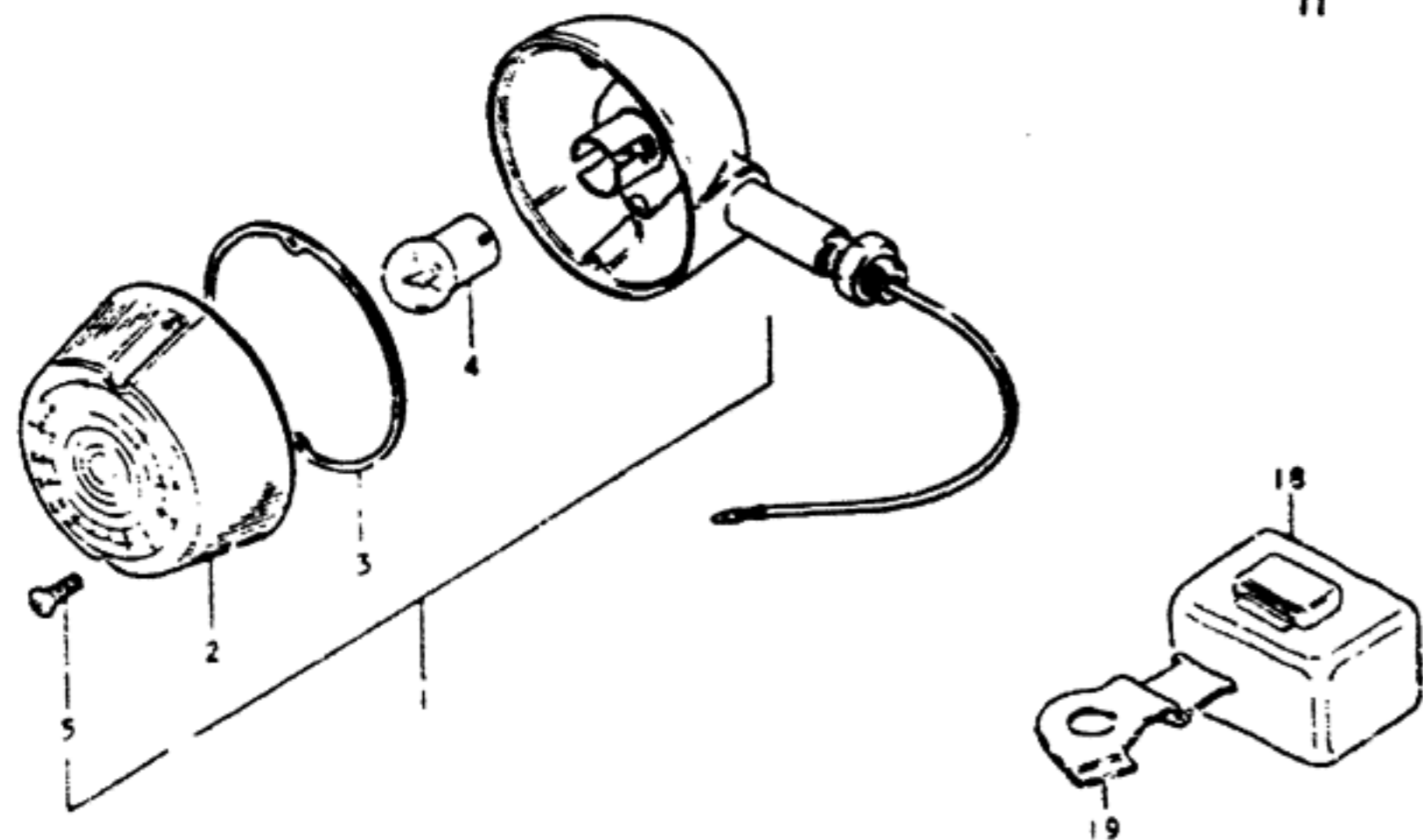
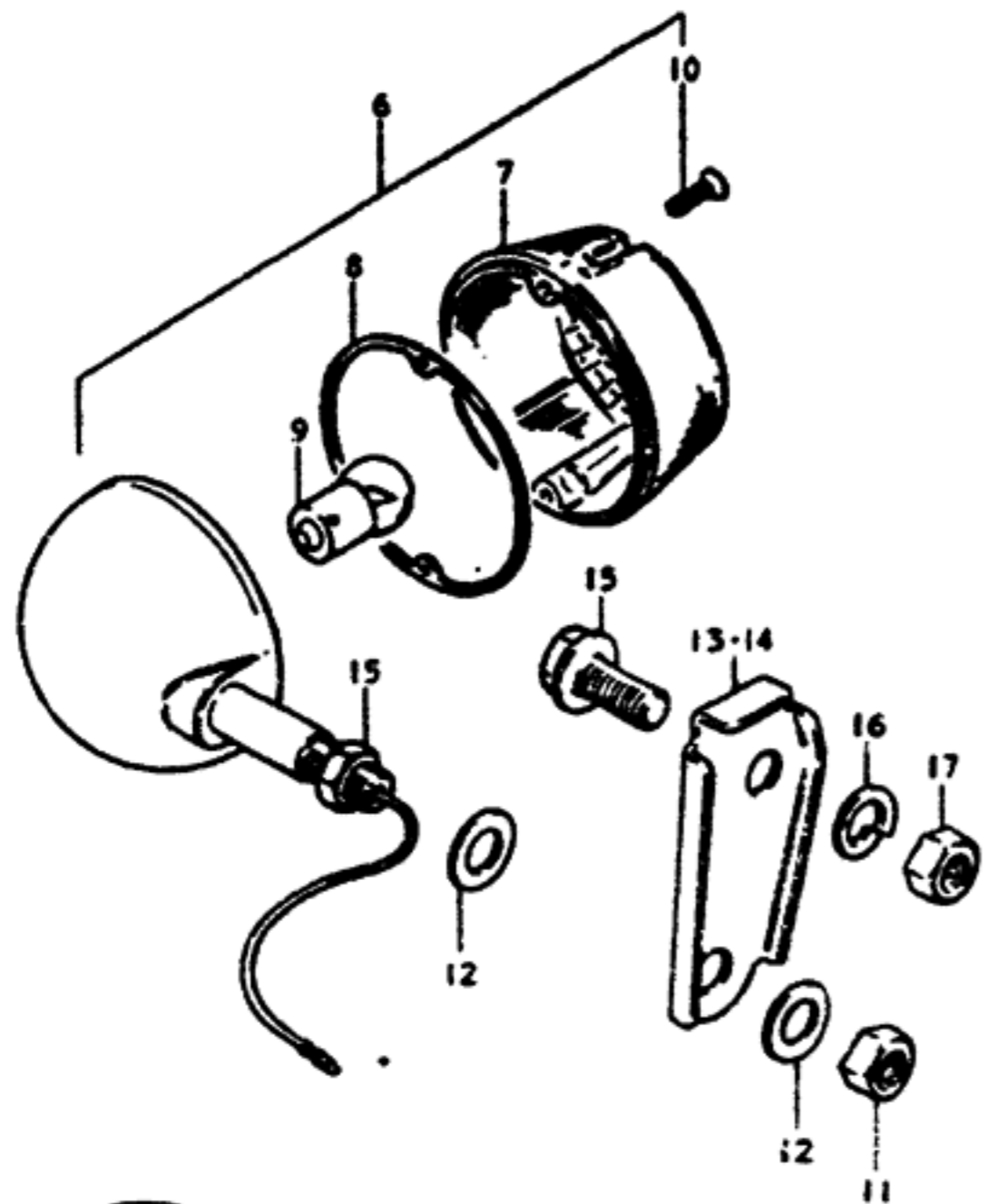


FIG.17 TURN SIGNAL LAMP (FZ50X)

Ref. No.	Part No.	Description	Qty	Remarks
1	35601-02450	LAMP, front turn signal	2	
2	35612-12611	·LENS	2	
3	35613-03610	·GASKET	2	
4	09471-06011	·BULB (6V,21cp)	2	
5	02133-03167	·SCREW	4	
6	35603-02450	LAMP, rear turn signal	2	
7	35612-12611	·LENS	2	
8	35613-03610	·GASKET	2	
9	09471-06011	·BULB (6V,21cp)	2	
10	02133-03167	·SCREW	4	
11	08310-12108	NUT	2	
12	08322-21108	WASHER	4	
13	35621-02430	BRACKET, rear RH	1	
14	35641-02430	BRACKET, rear LH	1	
15	01517-10168	BOLT	2	
16	08321-21108	LOCK WASHER	2	
17	08310-12108	NUT	2	
18	38610-48600	RELAY, turn signal	1	
19	38621-02400	BRACKET, relay	1	

FIG. 18

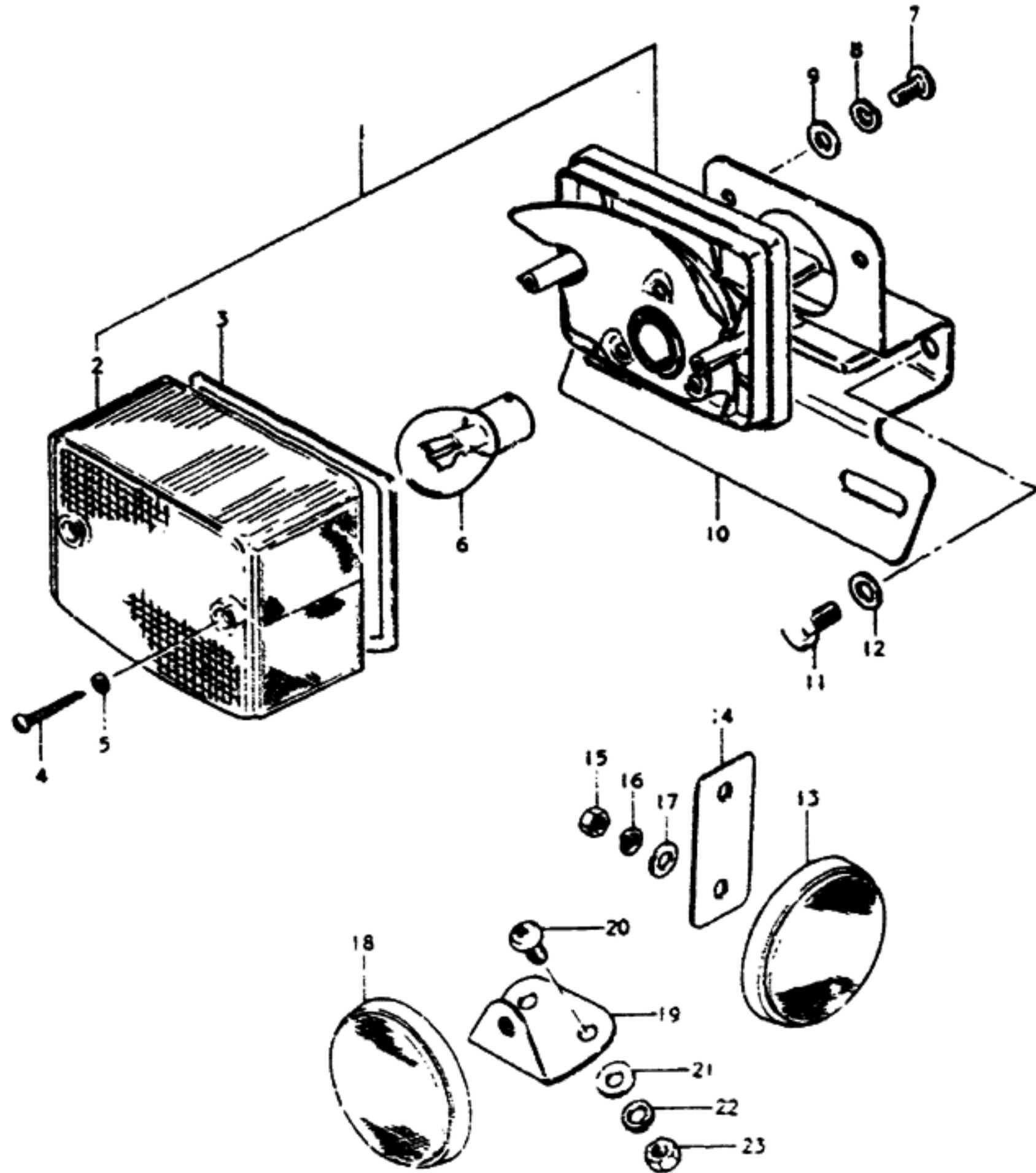


FIG. 18 REAR COMBINATION LAMP

Ref. No.	Part No.	Description	Qty	Remarks
	35710-02410	LAMP ASSY, tail	1	
1	35720-02410	LAMP UNIT, tail	1	
2	35712-48510	LENS	1	
3	35713-48510	GASKET	2	
4	35625-49030	SCREW	2	
5	35627-43010	GASKET	2	
6	09471-06009	BULB (6V, 21/3cp)	1	
7	02112-05128	SCREW	2	
8	08321-21058	LOCK WASHER	2	
9	08321-21058	LOCK WASHER	2	
10	35726-02410	BRACKET	1	
11	01107-06108	BOLT	2	
12	08322-21068	WASHER	2	
13	35950-45010	REFLEX REFLECTOR, front	2	
14	45217-45001	BRACKET	2	
15	08310-11058	NUT	2	
16	08321-21058	LOCK WASHER	2	
17	08322-21068	WASHER	2	
18	35970-45611	REFLEX REFLECTOR, rear	1	
19-1	35974-02400	BRACKET	1	model N
19-2	35974-02401	BRACKET	1	model T, N
20	02112-06128	SCREW	2	
21	08322-11068	WASHER	2	
22	08321-21068	LOCK WASHER	2	
23	08310-11068	NUT	2	

FIG. 19

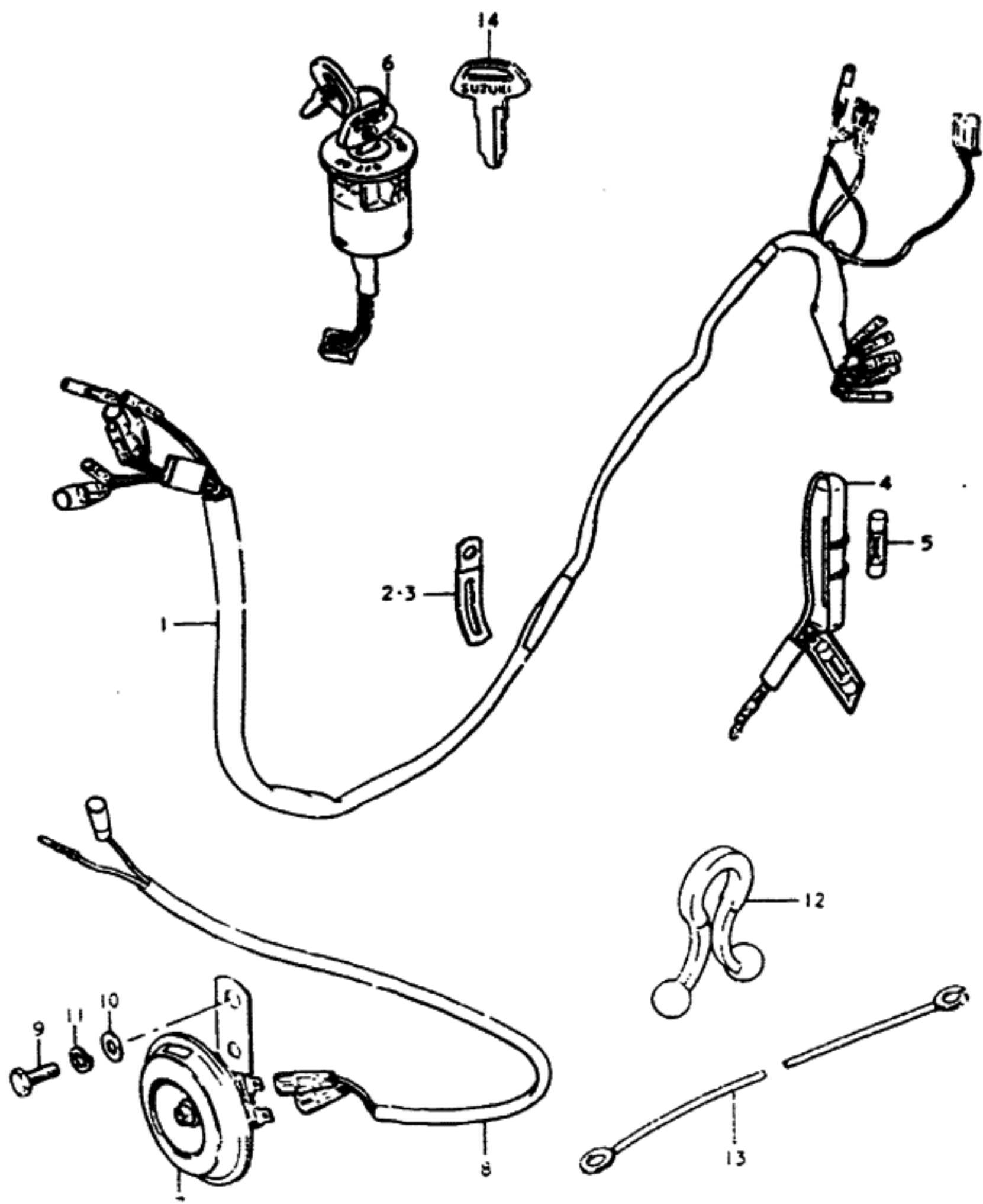


FIG. 19 WIRING HARNESS

Ref. No.	Part No.	Description	Qty	Remarks
1-1	36610-02411	WIRING HARNESS	1	model N
1-2	36610-02412	WIRING HARNESS	1	model T
1-3	36610-02460	WIRING HARNESS	1	model X
2	09408-06404	CLAMP	1	
3	09408-06401	CLAMP	1	
4	36740-35011	CASE ASSY, fuse	1	
5	09481-10001	FUSE (10A)	1	
6	37110-02420	SWITCH ASSY, ignition	1	
7	38500-23031	HORN	1	
8	36852-02400	LEAD WIRE, horn	1	
9	01107-06168	BOLT	1	
10	06322-21068	WASHER	1	
11	06321-21068	LOCK WASHER	1	
12	09408-00020	CLIP	1	
13	36851-02331	LEAD WIRE, engine (-)	1	
14	37145-02400	KEY, blank	1	OPT

FIG. 20

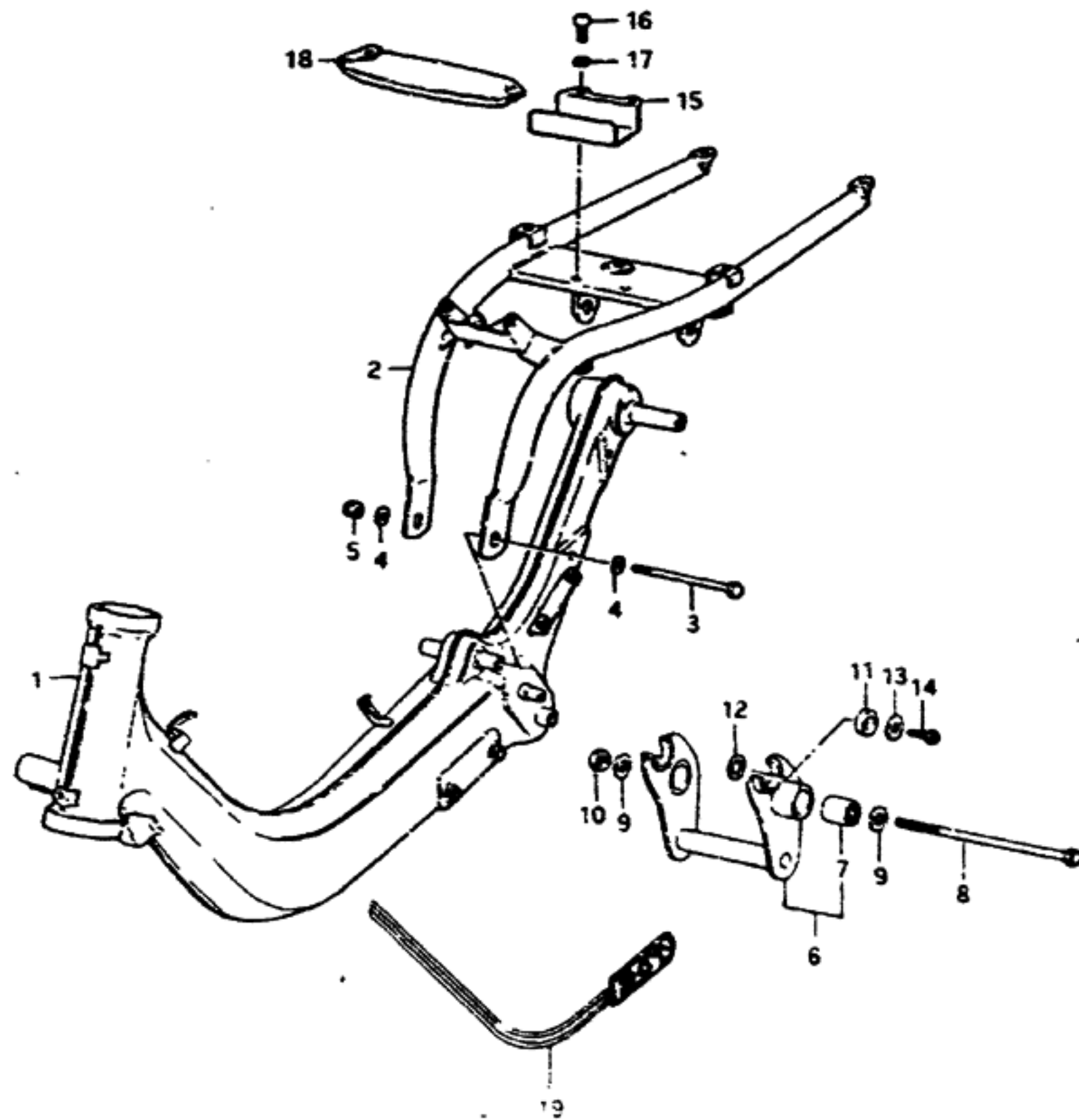
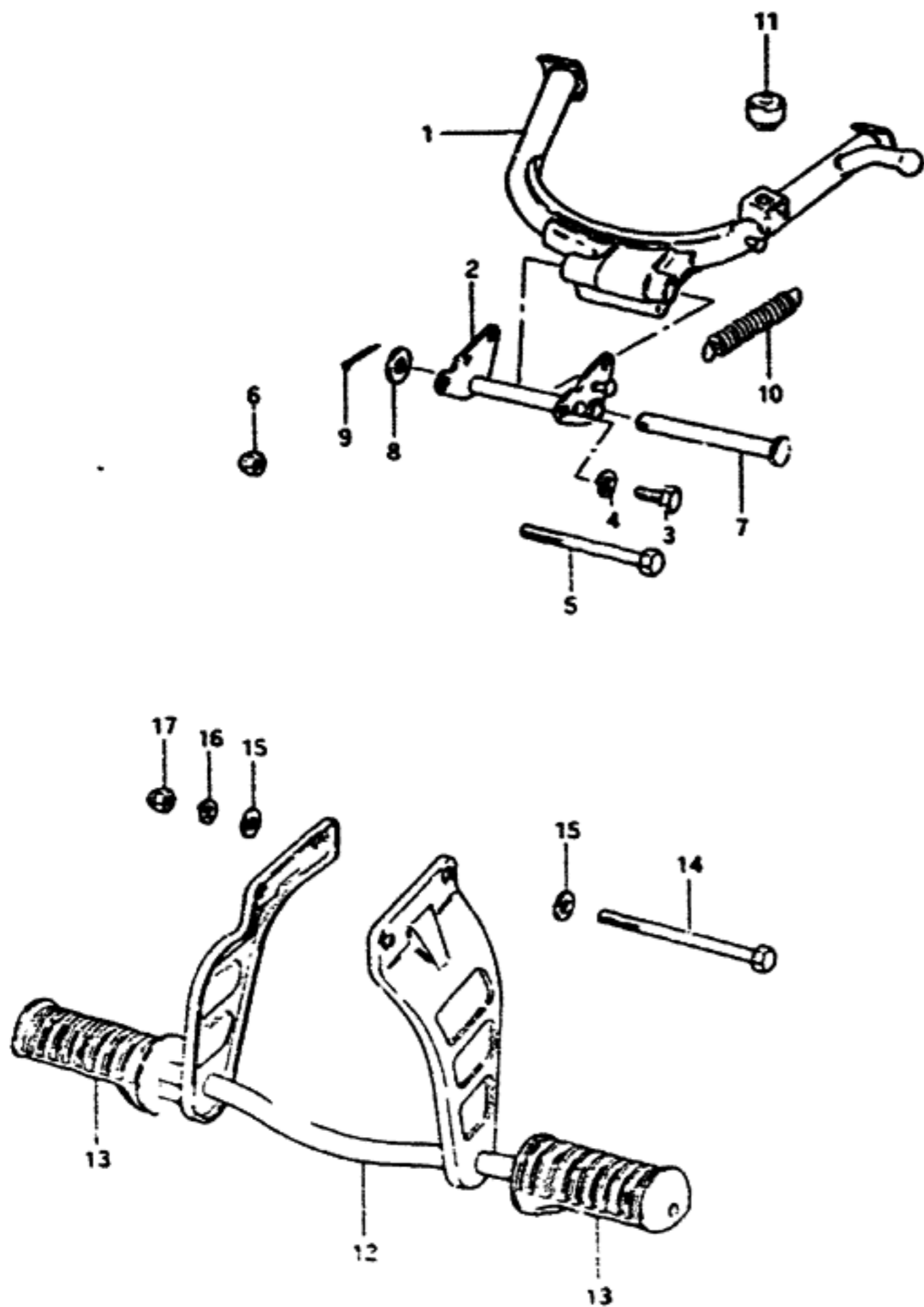


FIG. 20 FRAME

Ref. No.	Part No.	Description	Qty	Remarks
1-1	41100-02401-003	FRAME (Orange)	1	model N
1-2	41100-02401-07P	FRAME (Red)	1	model T
1-3	41100-02420-07S	FRAME (Blue)	1	model X
2-1	41260-02400-00B	TUBE, frame (Orange)	1	model N
2-2	41260-02400-07P	TUBE, frame (Red)	1	model T
2-3	41260-02401-07S	TUBE, frame (Blue)	1	model X
3-1	01204-08907	BOLT	1	model N, T
3-2	01517-08908	BOLT	1	model X
4	08322-11088	WASHER	2	
5	08313-11088	NUT	1	
6	41100-02820	BRACKET SET, crankcase	1	
7	09319-10008	BUSH	2	
8	09100-10040	BOLT (L:145)	1	
9	09160-10037	WASHER	2	
10	09159-10011	NUT	1	
11-1	09320-10013	CUSHION	2	model N, T
11-2	09320-10017	CUSHION	2	model X
12	09160-10026	WASHER, inner (10.2x18x1)	2	
13	09160-05003	WASHER, outer (5.5x18x1)	2	
14	02142-04088	SCREW	2	
15	41530-02400	HOLDER, tool	1	
16	02112-06128	SCREW	2	
17	02321-21068	LOCK WASHER	2	
18	02800-00161	TOOL SET	1	
19	68180-02400	TAPE SET, frame side	1	model T, X

FIG. 21

FIG. 21 STAND - FOOTREST



Ref. No.	Part No.	Description	Qty	Remarks
1	42100-02401	STAND, center	1	
2	42270-02400	BRACKET	1	
3	01107-06168	BOLT	4	model N
4	08322-11068	WASHER	4	
5	09100-06057	BOLT	2	model T, X
6	08319-31066	NUT	2	
7	42211-02400	SHAFT	1	
8	08322-11128	WASHER	1	
9	04111-25208	COTTER PIN	1	
10-1	09443-14005	SPRING	1	model N
10-2	09443-14017	SPRING	1	model T, N
11	09321-10002	CUSHION	1	
12-1	43510-02400-00B	BAR, footrest (Orange)	1	model N
12-2	43510-02400-07P	BAR, footrest (Red)	1	model T
12-3	43510-02400-07S	BAR, footrest (Blue)	1	model X
13	43551-03001	RUBBER	2	
14-1	09104-08016	BOLT	2	model N
14-2	09103-08023	BOLT	2	model T, X
15	08322-11088	WASHER	4	
16	08321-31088	LOCK WASHER	2	
17	08313-11088	NUT	2	

FIG.22

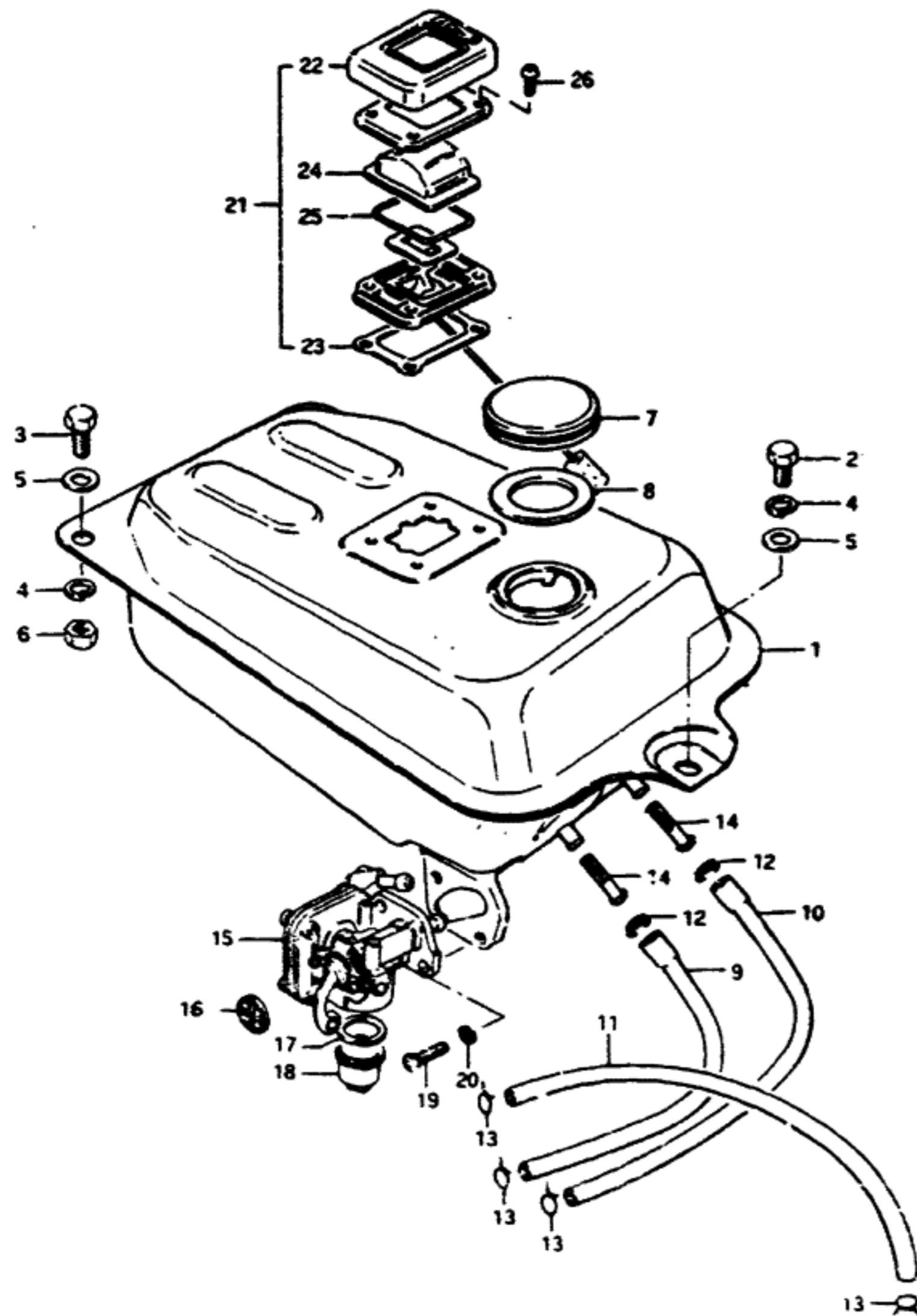


FIG.22 FUEL TANK

Ref. No.	Part No.	Description	Qty	Remarks
1-1	44110-02410-00B	TANK, fuel (Orange)	1	model N
1-2	44110-02410-07P	TANK, fuel (Red)	1	model T
1-3	44110-02411-07S	TANK, fuel (Blue)	1	model X
2	01107-06128	BOLT	1	
3-1	01107-06208	BOLT	2	model N, T
3-2	01517-06208	BOLT	2	model X
4	08321-21068	LOCK WASHER	3	
5	08322-11068	WASHER	3	
6	08310-11068	NUT	2	
7	44200-35820	CAP, fuel tank	1	
8	44248-25000	-GASKET	1	
9	09343-05096	HOSE (1)(L:350+L:135)	1	
10	09343-05156	HOSE (2)(L:165)	1	
11-1	09343-05021	HOSE (3)(L:390+L:240)	1	model N
11-2	09343-05031	HOSE (3)(L:220)	1	model T, X
12	09401-10401	CLIP (1)	2	
13	09401-08401	CLIP (2)	4	
14	44322-27001	FILTER, fuel	2	
15-1	44300-02460	COCK ASSY, fuel	1	model N
15-2	44300-02461	COCK ASSY, fuel	1	model T, X
16	44341-19050	-GASKET, lever	1	
17	44346-20050	-GASKET, cup	1	
18	44347-20050	-CUP	1	
19	02112-06168	SCREW	2	
20	08321-21068	LOCK WASHER	2	
21-1	44580-02400	GAUGE ASSY, fuel level	1	model N, T
21-2	44580-02401	GAUGE ASSY, fuel level	1	model X
22	44588-35001	-CAP	1	
23	44583-35600	-GASKET, lens	1	
24	44595-35600	LENS	1	
25	44596-35600	-O RING	1	
26	02112-05168	SCREW	4	

FIG. 23

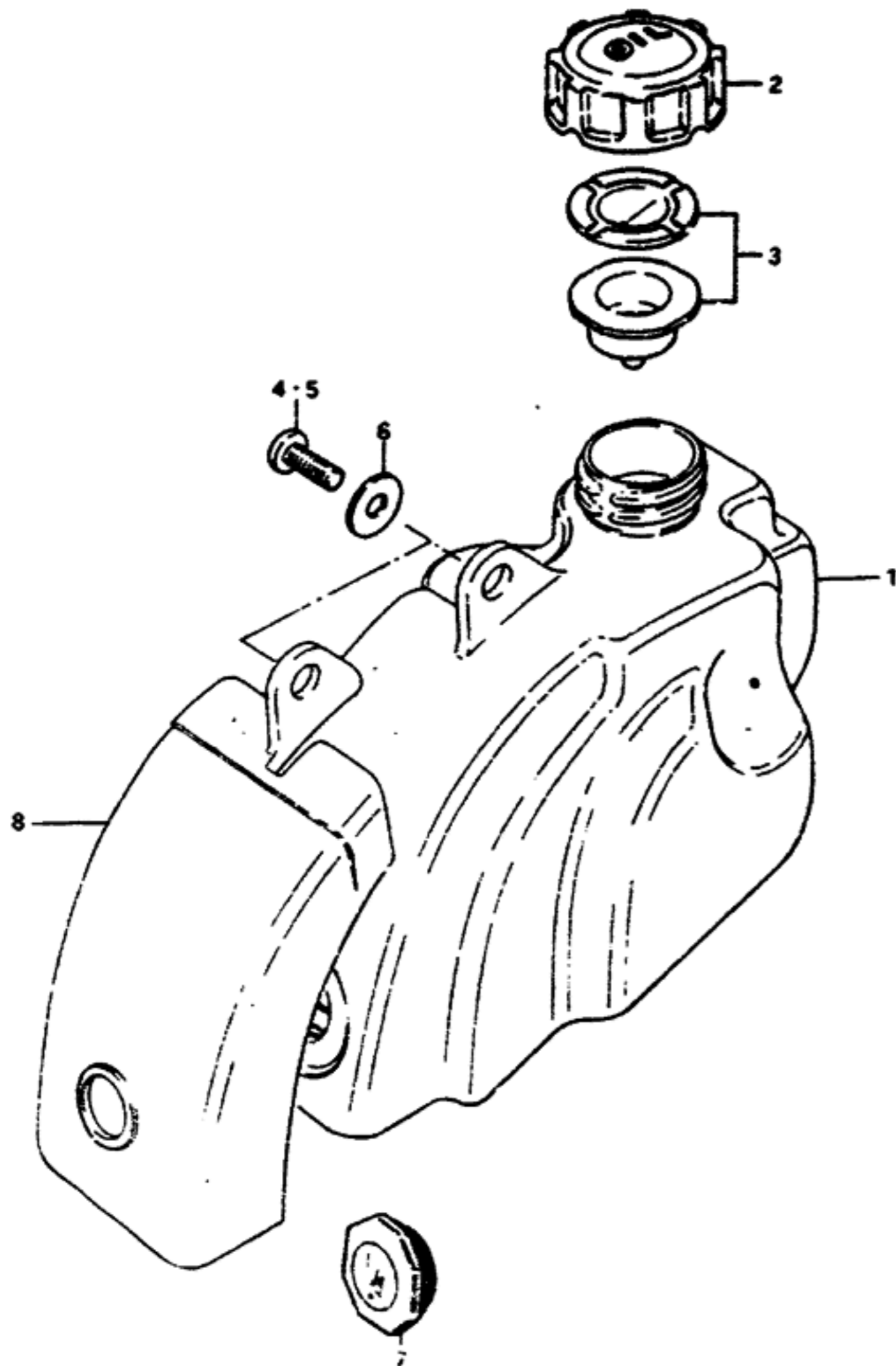


FIG. 23 OIL TANK

Ref. No.	Part No.	Description	Qty	Remarks
1-1	44611-02401	TANK, oil	1	model N
1-2	44611-02402	TANK, oil	1	model T,X
2	44651-05003	CAP, filler	1	
3	44600-30832	GASKET SET	1	
4	02112-06208	SCREW	1	
5	02112-06168	SCREW	1	
6	09160-06007	WASHER	1	
7	44600-31831	LENS SET, level inspection	1	
8	44681-02400	COVER, oil tank	1	

FIG. 24

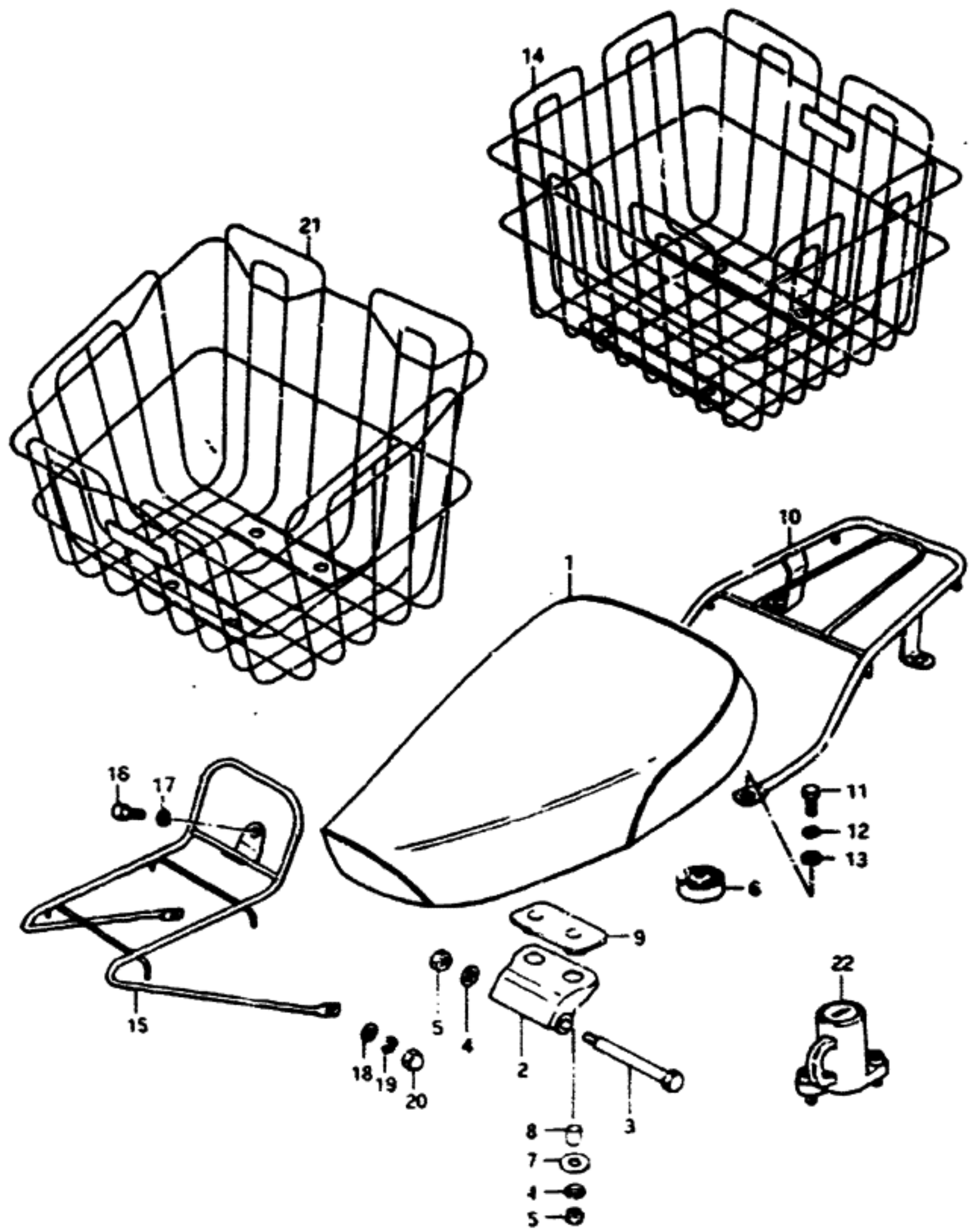


FIG. 24 SEAT (FZ50N, FZ50T)

Ref. No.	Part No.	Description	Q'ty	Remarks
1-1	45100-02402-40J	SEAT (White)	1	model N
1-2	45100-02402-866	SEAT (Black)	1	model T
2	45210-43000	BRACKET, support	1	
3	09111-06001	BOLT	1	
4	08321-21068	LOCK WASHER	3	
5	08310-11068	NUT	3	
6	09321-14004	CUSHION	2	
7	09160-06042	WASHER	2	
8	09180-06040	SPACER	2	
9	09329-08001	CUSHION	1	
10	46310-02410	CARRIER, rear	1	
11	01107-06128	BOLT	2	
12	08321-21068	LOCK WASHER	2	
13	08322-11068	WASHER	2	
14	46600-02820	REAR BASKET SET	1	OPT
15	46410-02400	CARRIER, front	1	
16	01107-06108	BOLT	1	
17	08321-21068	LOCK WASHER	1	
18	08322-11068	WASHER	2	
19	08321-21068	LOCK WASHER	2	
20	08313-11068	NUT	2	
21	46500-43810	FRONT BASKET SET	1	OPT
22	95700-02410	LOCK ASSY, helmet	1	

FIG. 25 (E-7) : FZ50X

FIG. 25

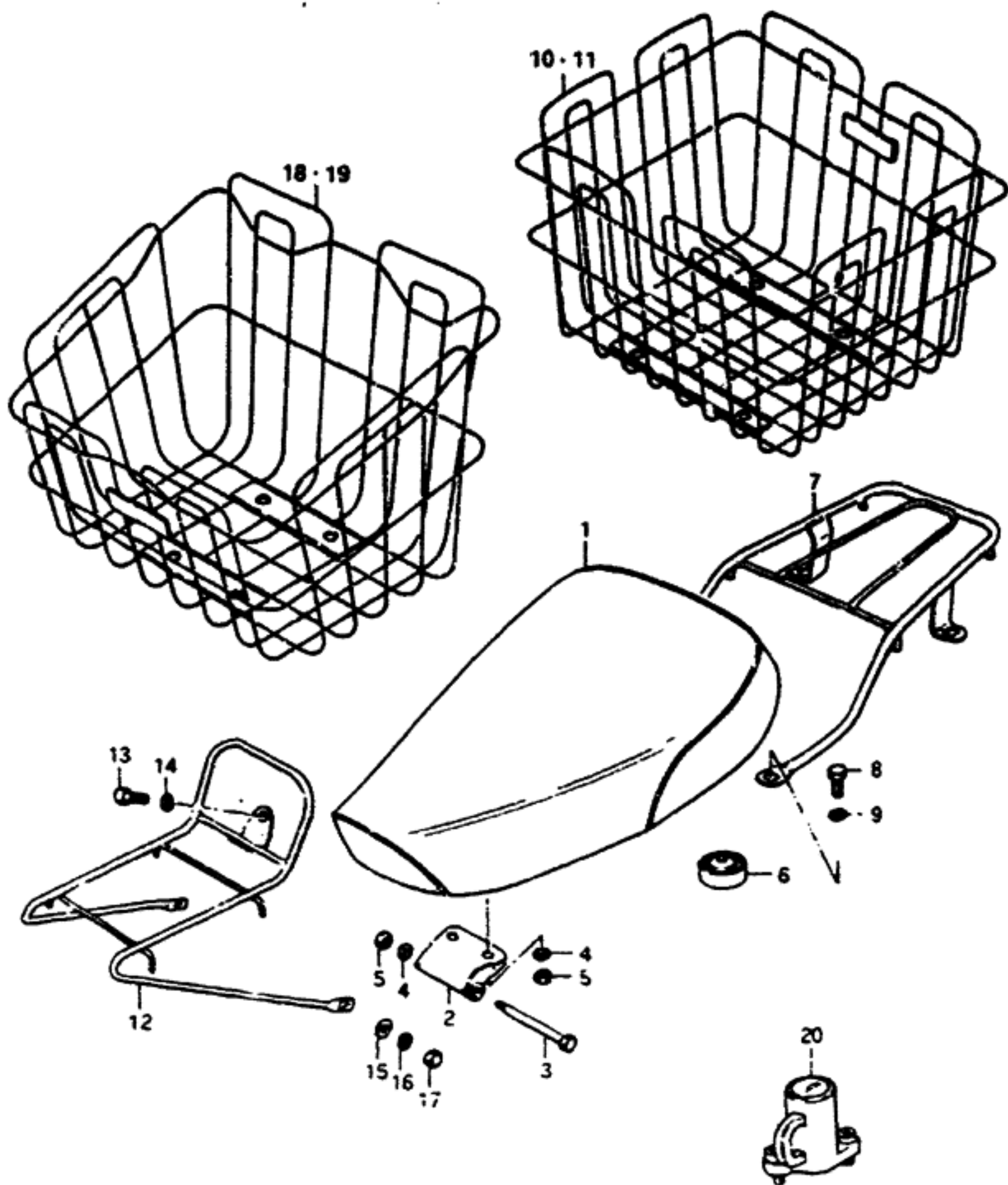


FIG. 25 SEAT (FZ50X)

Ref. No.	Part No.	Description	Qty	Remarks
1	45100-02403-866	SEAT (Black)	1	
2	45210-02400	BRACKET, support	1	
3	09111-06001	BOLT	1	
4	09321-21068	LOCK WASHER	3	
5	08310-11068	NUT	3	
6	09321-14003	CUSHION	2	
7	46310-02402	CARRIER, rear	1	
8	01107-06108	BOLT	2	
9	08321-21068	LOCK WASHER	2	
10	46600-03820	BASKET SET, rear	1	OPT
11	46620-02820	-FITTING SET	1	OPT
12	46410-02401	CARRIER, front	1	
13	01107-06108	BOLT	1	
14	08321-21068	LOCK WASHER	1	
15	08322-11068	WASHER	2	
16	08321-21068	LOCK WASHER	2	
17	08313-11068	NUT	2	
18	46500-43811	BASKET SET, front	1	OPT
19	46590-02810	-FITTING SET	1	OPT
20	95700-02410	LOCK ASSY, helmet	1	

FIG. 26

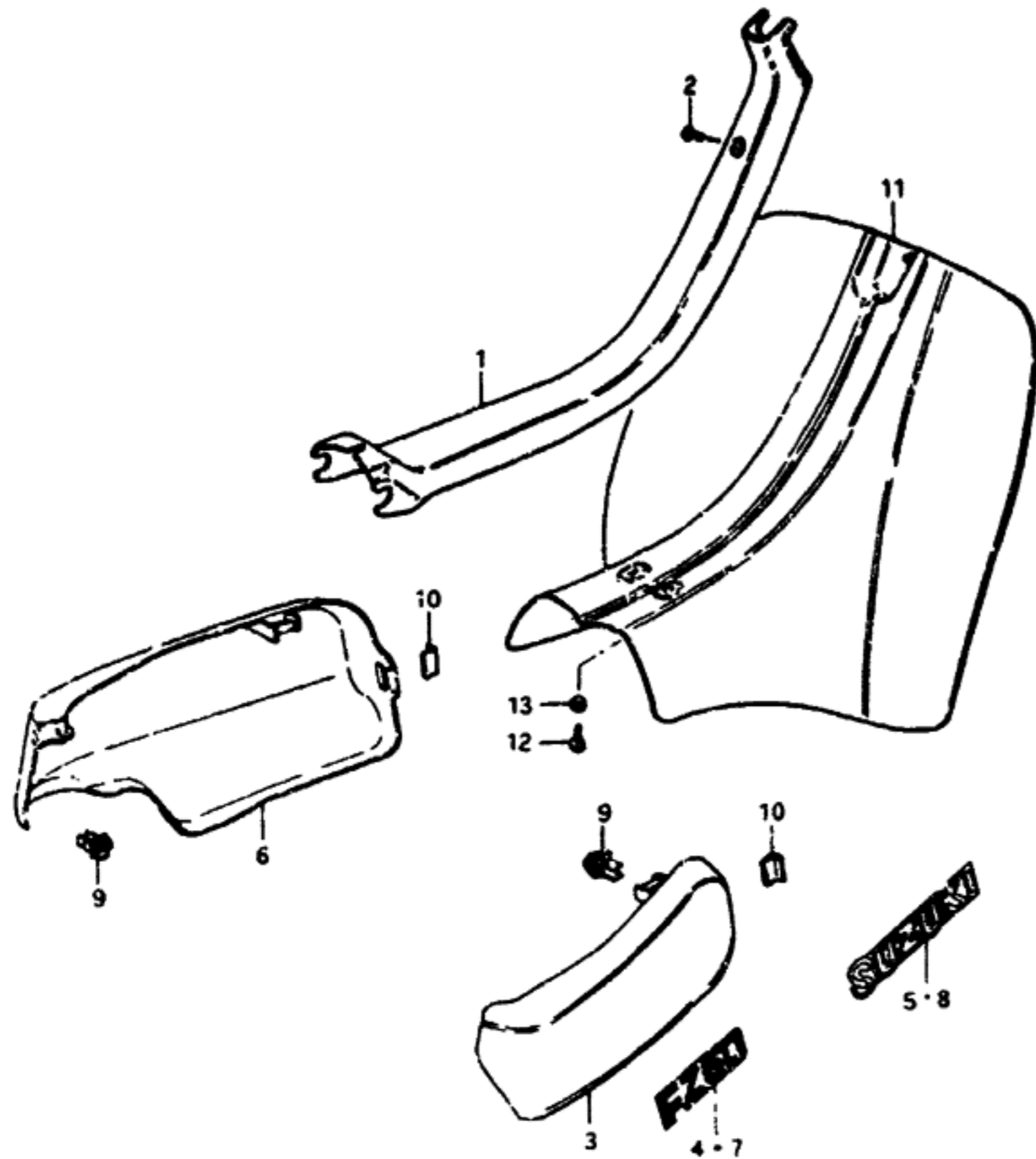
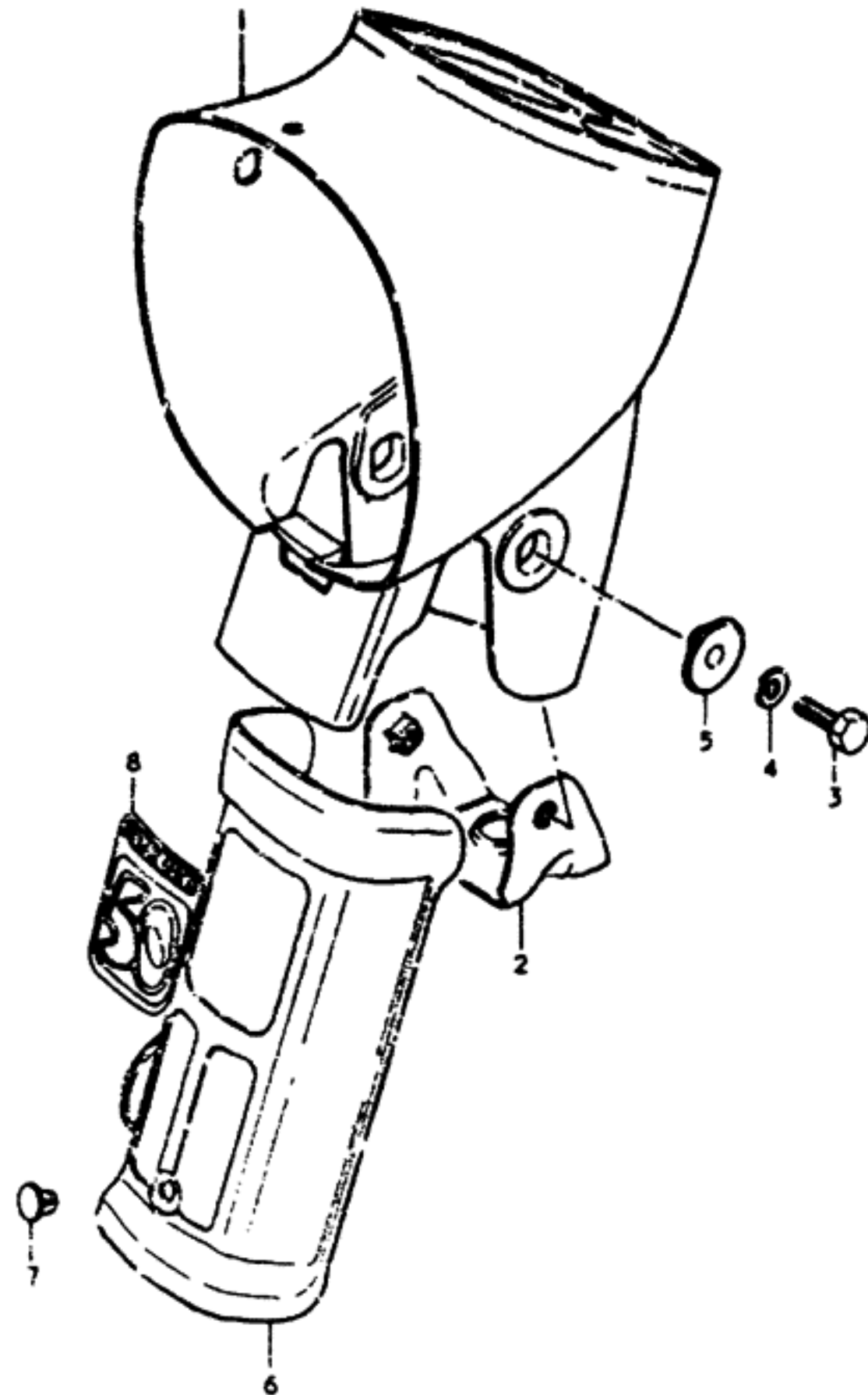


FIG. 26 FRAME COVER

Ref. No.	Part No.	Description	Q'ty	Remarks
1	47181-02401-189	COVER, frame front (White)	1	
2	02142-05087	SCREW	1	
3-1	47111-02401-00B	COVER, frame RH (Orange)	1	model N
3-2	47111-02401-07P	COVER, frame RH (Red)	1	model T
3-3	47111-02401-07S	COVER, frame RH (Blue)	1	model X
4	68131-02410	EMBLEM, frame cover	1	model N
5	68131-02420	EMBLEM, frame cover	1	model T,X
6-1	47211-02401-00B	COVER, frame LH (Orange)	1	model N
6-2	47211-02401-07P	COVER, frame LH (Red)	1	model T
6-3	47211-02401-07S	COVER, frame LH (Blue)	1	model X
7	68131-02410	EMBLEM, frame cover	1	model N
8	68131-02120	EMBLEM, frame cover	1	model T,X
9	09403-07306	CLAMP	4	
10	47117-02400	CUSHION	2	
11	48111-02400-189	LEG SHIELD (White)	1	
12	09128-06002	BOLT	2	
13	09160-06007	WASHER	2	

FIG. 27

FIG. 27 HEADLAMP HOUSING



Ref. No.	Part No.	Description	Qty	Remarks
1-1	51811-02410-00B	HOUSING, headlamp (Orange)	1	model N, F.No. 176362
1-2	51811-02411-00B	HOUSING, headlamp (Orange)	1	model N, F.No. 176363
1-3	51811-02410-07P	HOUSING, headlamp (Red)	1	model T, F.No. 176362
1-4	51811-02411-07P	HOUSING, headlamp (Red)	1	model T, F.No. 176363
1-5	51811-02430-07S	HOUSING, headlamp (Blue)	1	model X
2	51850-02401	BRACKET	1	
3	01107-06208	BOLT	2	
4	08321-21068	LOCK WASHER	2	
5-1	51821-02400	SPACER	2	model N, T
5-2	51821-02401	SPACER	2	model X
6-1	51871-02401-00B	COVER, frame head (Orange)	1	model N
6-2	51871-02401-07P	COVER, frame head (Red)	1	model T
6-3	51871-02401-07S	COVER, frame head (Blue)	1	model X
7	09409-06303	CLIP	1	
8	68211-02400	EMBLEM	1	

FIG. 28

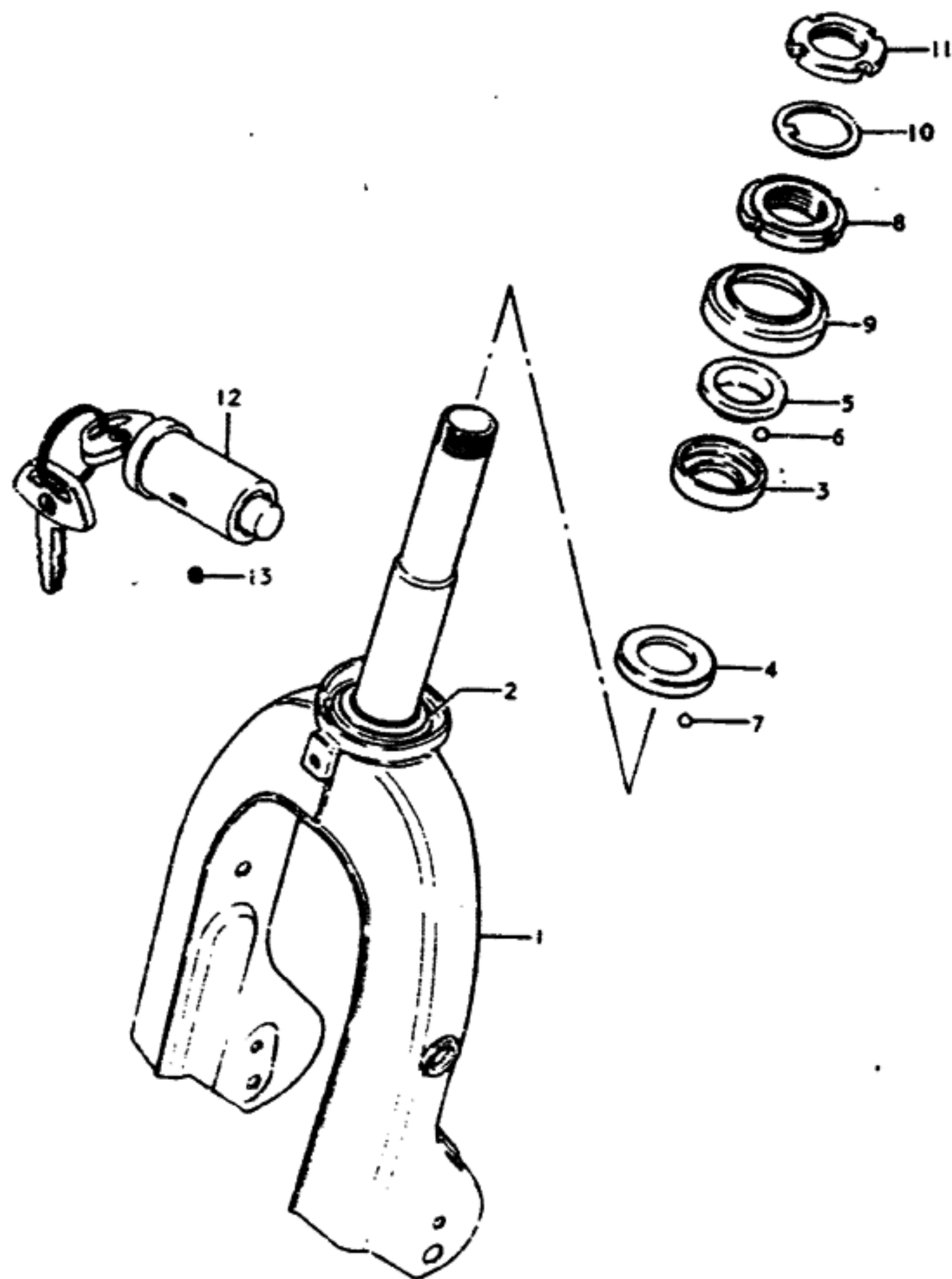
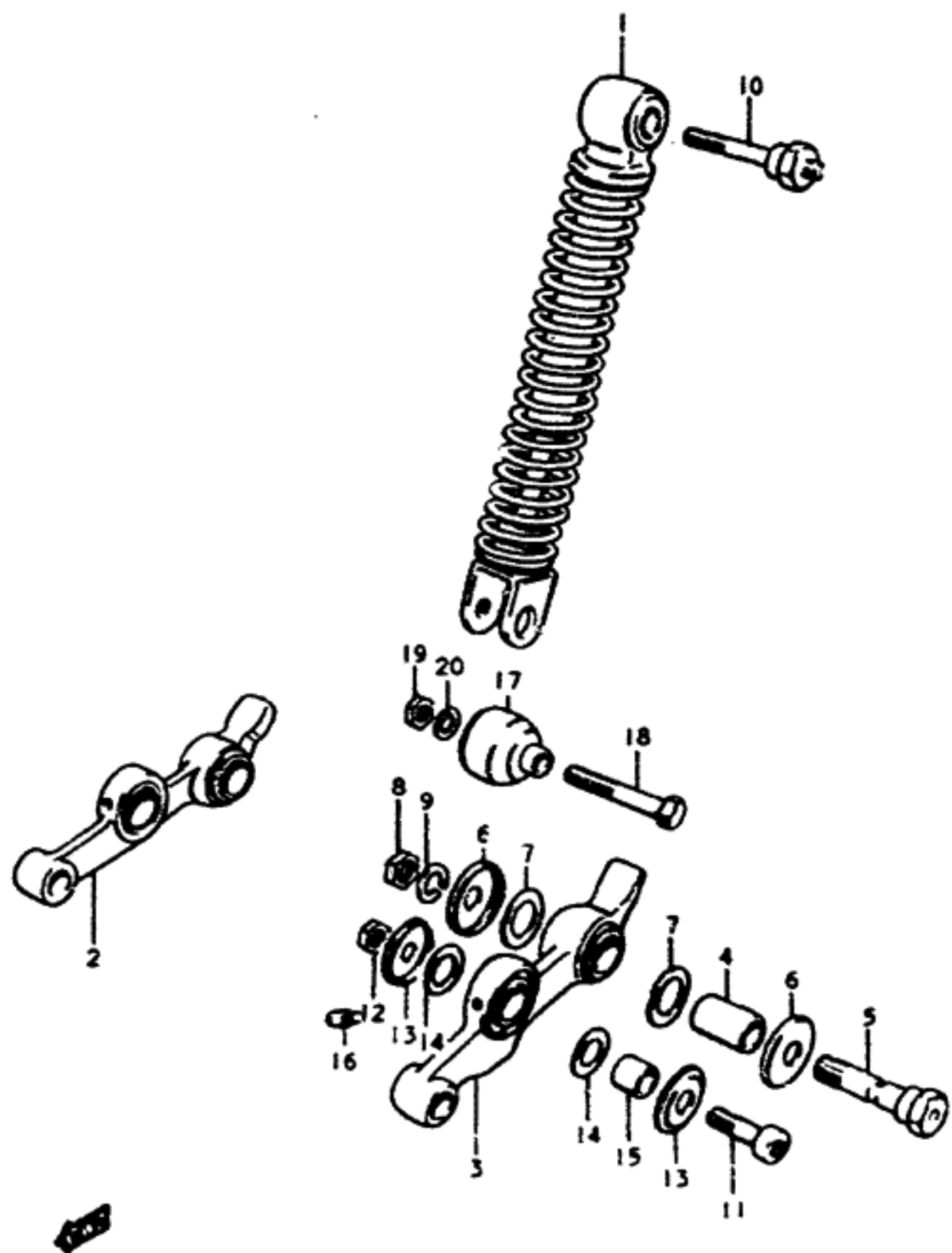


FIG. 28 FRONT FORK

Ref. No.	Part No.	Description	Qty	Remarks
1-1	51230-02820-00B	FORK SET, front (Orange)	1	model N
1-2	51200-02821-07P	FORK SET, front (Red)	1	model T
1-3	51200-02821-07S	FORK SET, front (Blue)	1	model X
2	51622-04000	RACE, outer lower	1	
3	51611-20002	RACE, inner upper	1	
4	51612-04000	RACE, inner lower	1	
5	51621-28000	RACE, outer upper	1	
6	06111-06003	STEEL BALL	22	
7	06111-06003	STEEL BALL	25	
8	51631-28000	NUT, stem	1	
9	51643-25001	DUST SEAL, upper	1	
10	09166-26001	WASHER	1	
11	51632-62400	NUT	1	
12	51900-02410	LOCK ASSY, steering	1	
13	09134-06009	SCREW	1	

FIG. 29

FIG. 29 FRONT SUSPENSION



Ref. No.	Part No.	Description	Qty	Remarks
1-1	52100-02400	ABSORBER, front shock	2	model W
1-2	52100-02401	ABSORBER, front shock	2	model T, X
2-1	52410-06001	ROCKER ARM, RH	1	model N, T
2-2	52410-02400	ROCKER ARM, RH	1	model X
3-1	52420-06001	ROCKET ARM, LH	1	model N, T
3-2	52420-02400	ROCKET ARM, LH	1	model X
4	09319-10002	SPACER, rear	2	
5-1	52471-19000	BOLT, rear	2	model N, T
5-2	52471-02400	BOLT, rear	2	model X
6	52452-02000	COVER, dust seal rear	4	
7	09281-22001	DUST SEAL, rear	4	
8	08310-12108	NUT	2	
9	08321-21108	LOCK WASHER	2	
10	51351-02400	BOLT, upper	2	
11	09130-08001	SCREW, lower	2	
12	08310-22088	NUT	2	
13	52451-02000	COVER, dust seal center	4	
14	09281-19001	DUST SEAL, center	4	
15	09180-08074	SPACER, center	2	
16	08351-11009	NIPPLE, grease	4	
17	54350-19000	STOPPER, brake	2	
18	09100-08002	BOLT	2	
19	08310-22088	NUT	2	
20	08321-2-088	LOCK WASHER	2	

FIG. 30

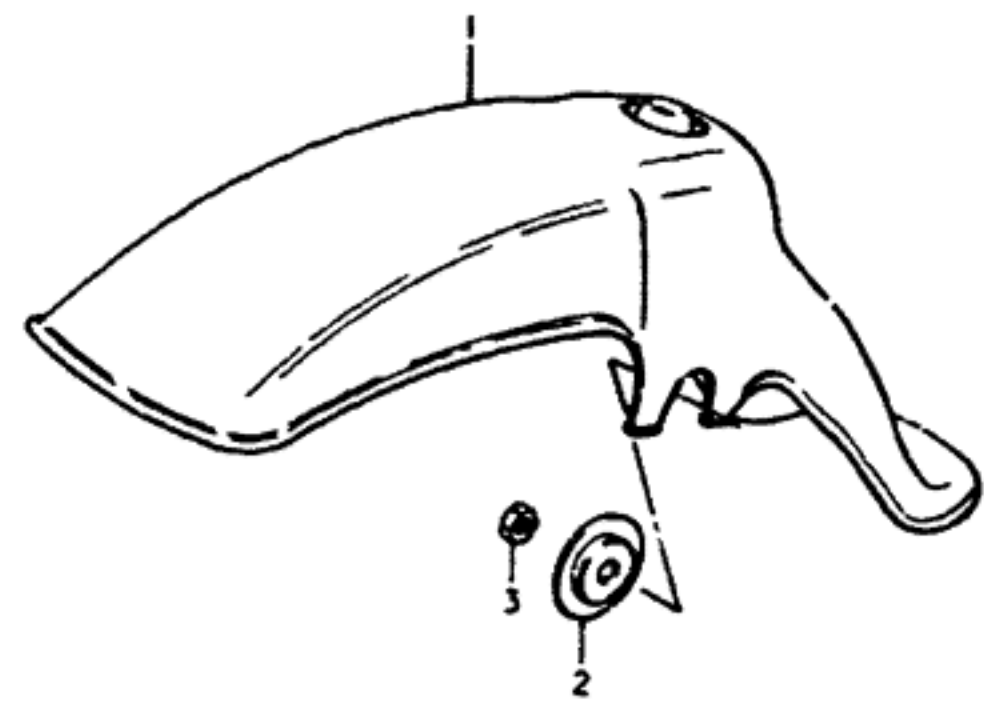


FIG. 30 FRONT FENDER

Ref. No.	Part No.	Description	Qty	Remarks
1	53111-02401-189	FENDER, front (White)	1	
2	09164-08012	WASHER	2	
3	08310-12088	NUT	2	

FIG.31

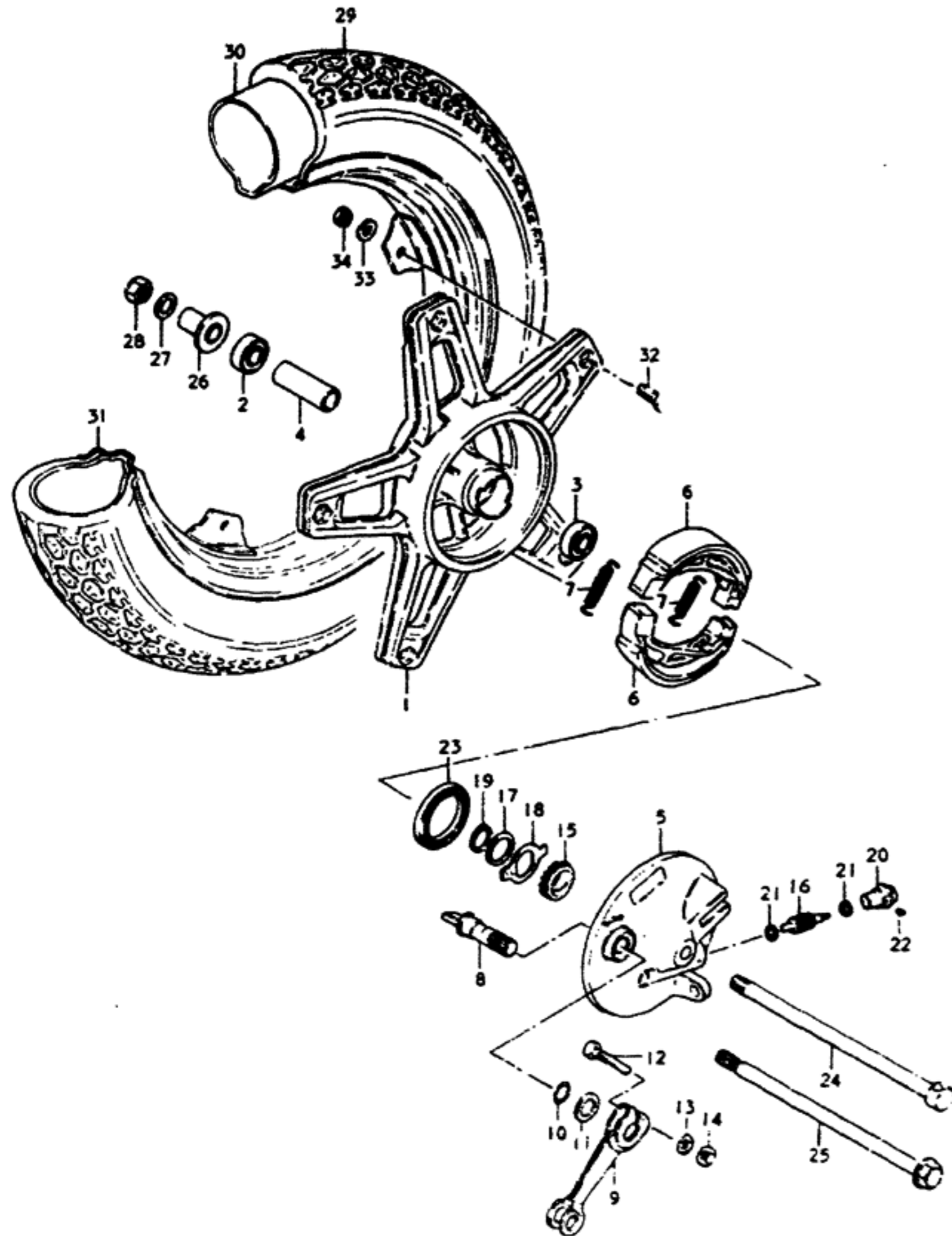
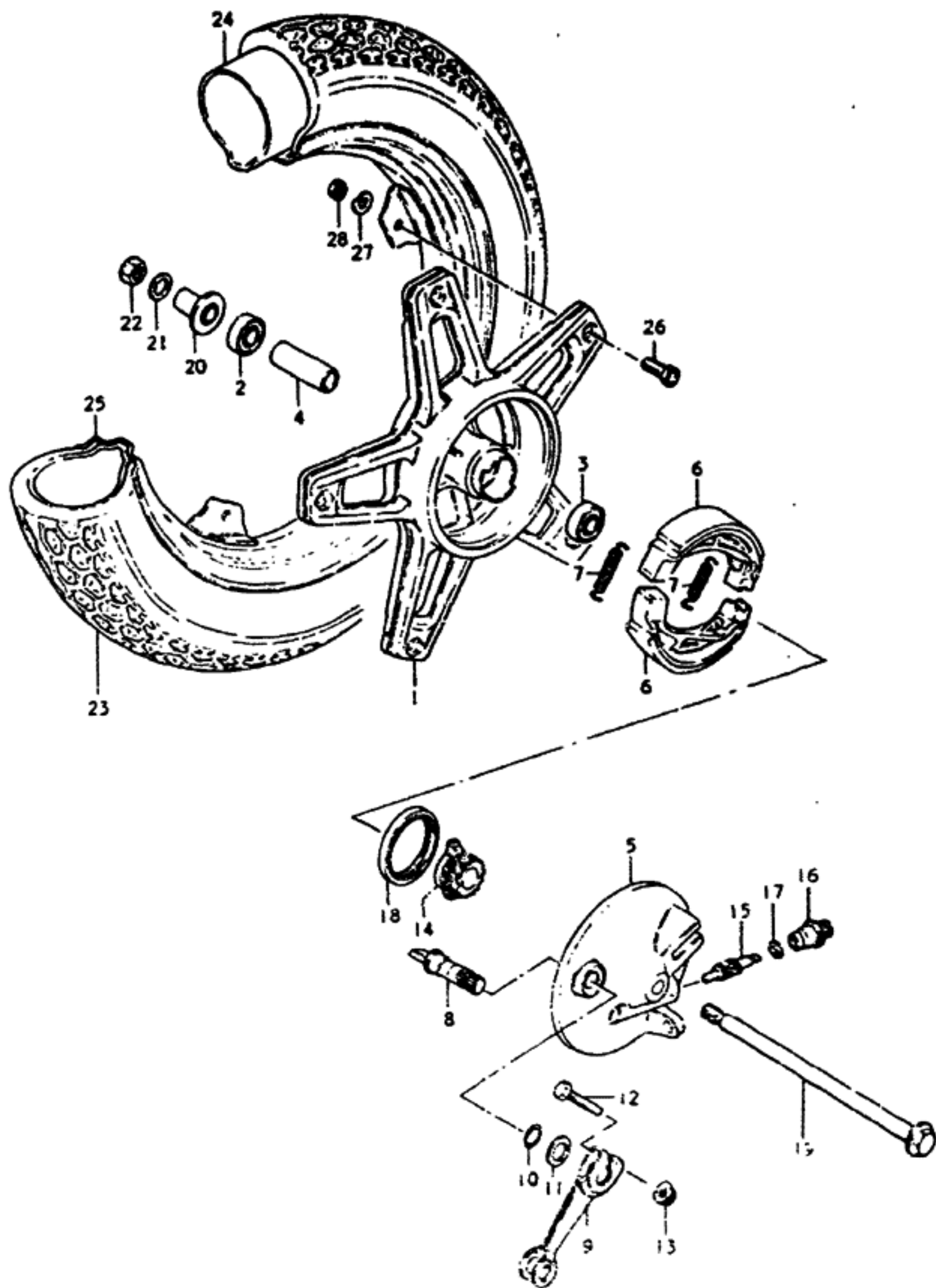


FIG.31 FRONT WHEEL (FZ50N)(FZ50T ~F.No.170666)

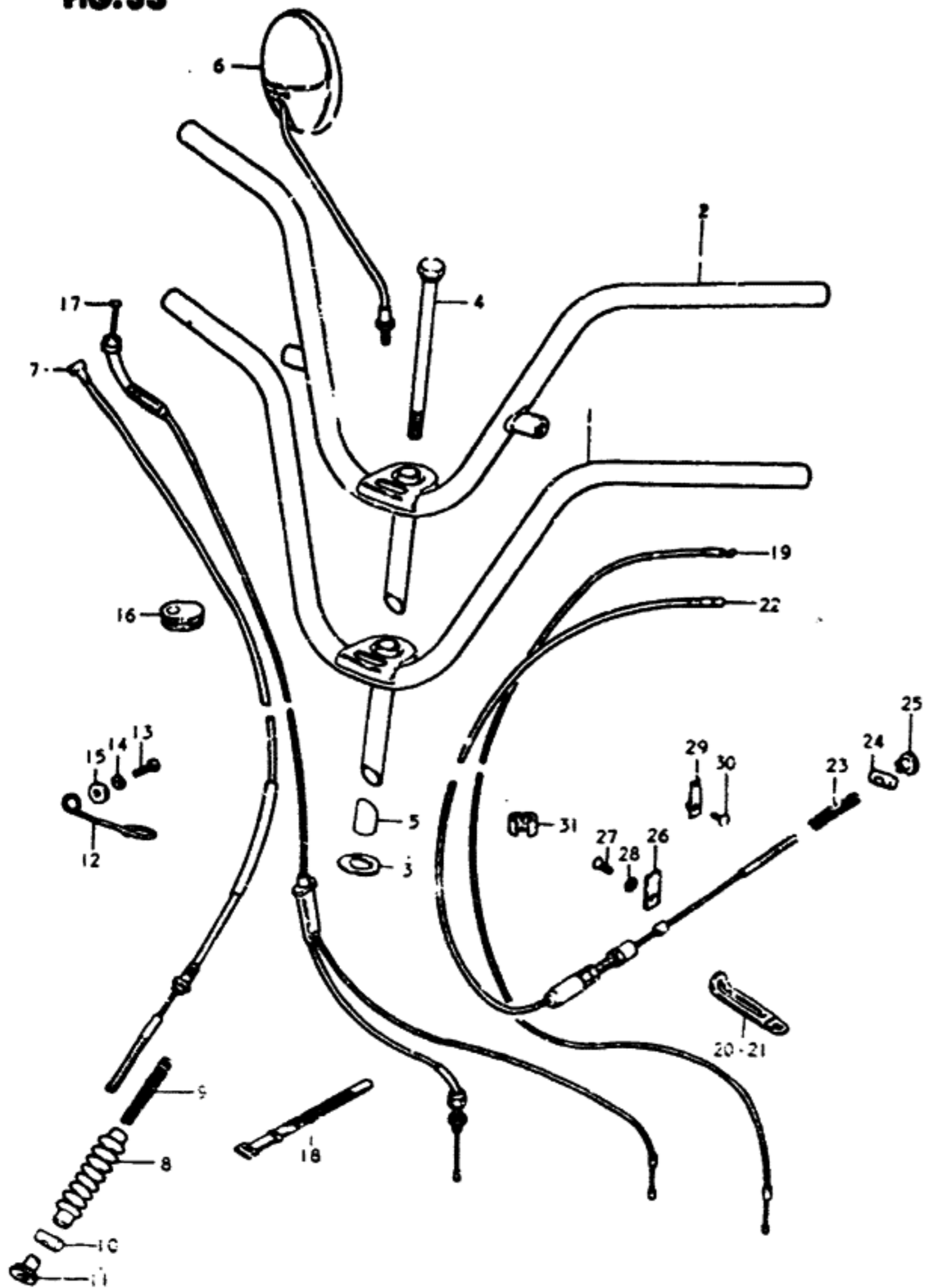
Ref. No.	Part No.	Description	Qty	Remarks
1	54110-02400-126	HUB, wheel	1	
2	08123-62007	BEARING, RH	1	
3	08143-60007	BEARING, LH	1	
4	54731-02400	SPACER	1	
5	54210-02401-126	PANEL, anchor	1	
6	54410-02410	SHOE, brake	2	
7	09443-07001	SPRING, shoe	2	
8	54441-02400	CAM, brake	1	
9	54451-02002	LEVER, cam	1	
10	09280-12001	O RING	1	
11	09160-12011	WASHER	1	
12	09100-06050	BOLT	1	
13	08322-21068	WASHER	1	
14	08310-11068	NUT	1	
15	54611-02400	GEAR, drive (NT:20)	1	
16	51621-24900	GEAR, drive	1	
17	09160-16005	THRUST WASHER	1	
18	54664-02400	DRIVER	1	
19	08331-31159	CIRCLIP	1	
20	54632-01001	BUSH	1	
21	09160-05001	THRUST WASHER	2	
22	09131-03101	SCREW	1	
23	09285-34002	OIL SEAL	1	
24	54711-02400	AXLE, front	1	model N
25	54711-02410	AXLE, front	1	model T
26	54740-02400	SPACER, RH	1	
27	08322-11108	WASHER	1	
28	08319-21108	NUT	1	
29	55100-02410	TIRE (3.00-12)	1	IRC
30	65200-46410	TUBE, inner	1	
31	55310-02410-126	RIM, wheel	1	
32	06100-08091	BOLT	5	
33	08321-21088	LOCK WASHER	5	
34	08310-12088	NUT	5	

FIG.32



Ref. No.	Part No.	Description	Qty	Remarks
1	54110-02400-126	HUB, wheel	1	
2	08123-62007	BEARING, RH	1	
3	08143-60007	BEARING, LH	1	
4	54731-02400	SPACER	1	
5	54210-02402	PANEL, anchor	1	
6	54410-02410	SHOE, brake	2	
7	09443-07001	SPRING, shoe	2	
8	54441-02400	CAM, brake	1	
9	54451-02002	LEVER, cam	1	
10	09280-12001	O RING	1	
11	09160-12011	WASHER	1	
12	01107-06308	BOLT	1	
13	08316-16068	NUT	1	
14	54611-02201	GEAR, speedometer (NT:16)	1	
15	54621-02201	PINION, speedometer (NT:8)	1	
16	54632-02200	BUSHING	1	
17	09160-05001	THRUST WASHER	1	
18	09285-34002	OIL SEAL	1	
19	54711-02410	AXLE, front	1	
20	54740-02400	SPACER, RH	1	
21	08322-11108	WASHER	1	
22	08319-21108	NUT	1	
23	55100-02410	TIRE (3.00-12)	1	IRC
24	65200-46410	TUBE, inner	1	
25	5310-02410-126	RIM, wheel	1	
26	5100-08091	BOLT	5	
27	08321-21088	LOCK WASHER	5	
28	08310-12088	NUT	5	

FIG. 33



FZ50X

FIG. 33 HANDLEBAR

Ref. No.	Part No.	Description	Qty	Remarks
1	56110-02410	HANDLEBAR	1	model N,T
2	56110-02402	HANDLEBAR	1	model X
3	56134-17200	STOP, handlebar bracket	1	model T,X
4	09111-12003	BOLT	1	
5-1	56251-02400	STOP	1	model N
5-2	56251-02401	STOP	1	model T,X
6	56500-35011	MIRROR, rear view	1	
7	58100-02400	CABLE, front brake	1	
8	09287-07001	DUST SEAL	1	
9	09440-06003	SPRING	1	
10	09209-10001	PIN	1	
11	09150-05004	NUT	1	
12	56626-02401	CLAMP	1	
13	02112-06208	SCREW	1	
14	08323-31068	LOCK WASHER	1	
15	02112-06208	WASHER	1	
16	09440-06007	GROMMET	1	
17-1	58300-02410	CABLE, throttle	1	model N
17-2	58300-02411	CABLE, throttle	1	model T,X
18	09407-12403	BAND	1	
19	58410-02402	CABLE, starter	1	
20	09404-06404	CLAMP	1	model N,T
21	09404-06403	CLAMP	1	model X
22-1	58510-02410	CABLE, rear brake	1	model N
22-2	58510-02420	CABLE, rear brake	1	model T
22-3	58510-02421	CABLE, rear brake	1	model X
23	09440-06019	SPRING	1	
24	09209-10001	PIN	1	
25	09150-05004	NUT	1	
26	58574-02401	PLATE, cable adjuster	1	
27	02122-06108	SCREW	1	model N
28	08323-31068	LOCK WASHER	1	model T ~F.No. 162628
29	58570-02500	PLATE, cable adjuster	1	model T ~F.No. 162629
30	02112-06208	SCREW	1	model X
31	09408-00002	CLIP, cable	1	

FIG.34

FIG.34 FRONT BRAKE - HANDLE SWITCH

Qty

Ref. No.	Part No.	Description	Qty	Remarks
1-1	57110-27500	GRIP, throttle	1	model N
1-2	57110-27501	GRIP, throttle	1	model T,X
2	57300-02410	SWITCH ASSY, RH handle	1	
3	57421-27500	LEVER, brake	1	
4	57431-01011	SCREW	1	
5	57533-27500	NUT	1	
6	09125-05105	SCREW	2	

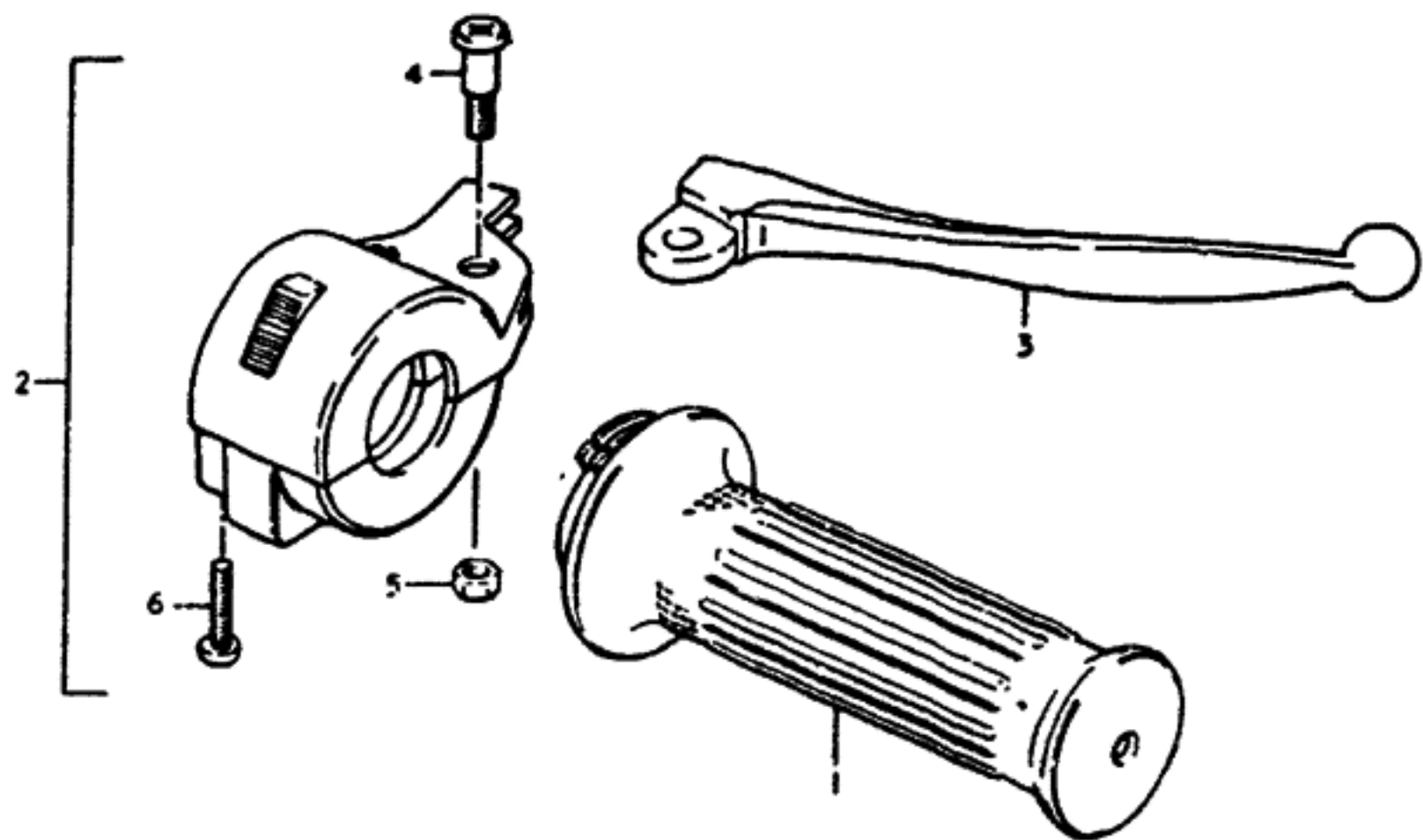


FIG.35

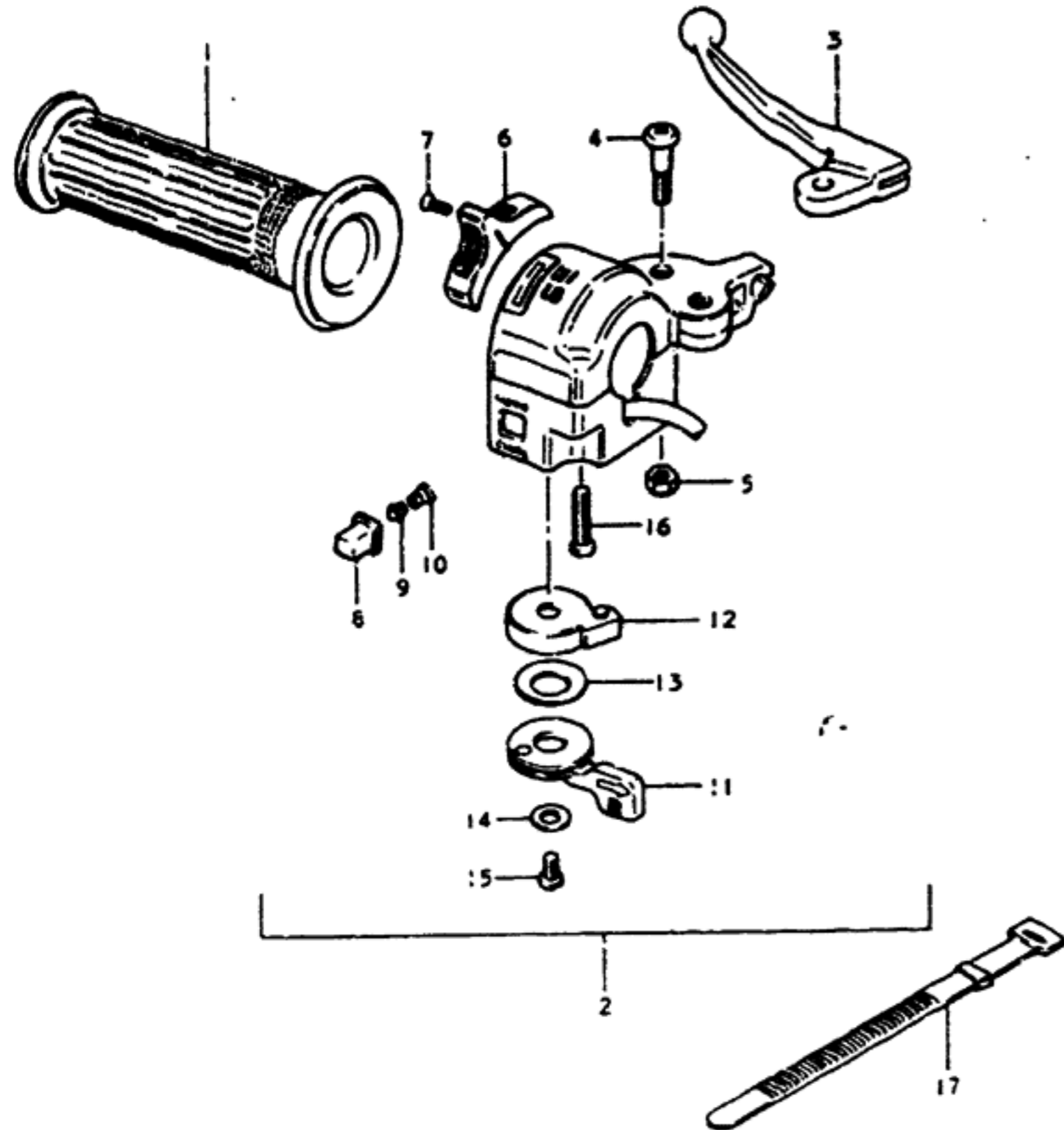


FIG.35 REAR BRAKE - HANDLE SWITCH (FZ50N, FZ50T)

Ref. No.	Part No.	Description	Qty	Remarks
1-1	57211-46110	GRIP, LH	1	model N
1-2	57211-46111	GRIP, LH	1	model T
2-1	57500-02410	SWITCH ASSY, LH HANDLE	1	model N
2-2	57500-02411	SWITCH ASSY, LH HANDLE	1	model T
3	57621-27500	LEVER, brake	1	
4	57431-01011	SCREW	1	
5	57633-27500	NUT	1	
6	57320-27500	KNOB, dimmer switch	1	
7	02132-03068	SCREW	1	
8	57371-45000	BUTTON, horn	1	
9	57372-45000	CONTACT	1	
10	57382-45000	SPRING	1	
11	58721-27502	LEVER, starter	1	
12	58711-27500	BODY, lever	1	
13	58722-03010	WASHER, wave	1	
14	08322-21058	WASHER	1	
15	02112-05088	SCREW	1	
16	02112-05208	SCREW	2	
17	09407-12403	BAND, cable & harness	1	

FIG. 36

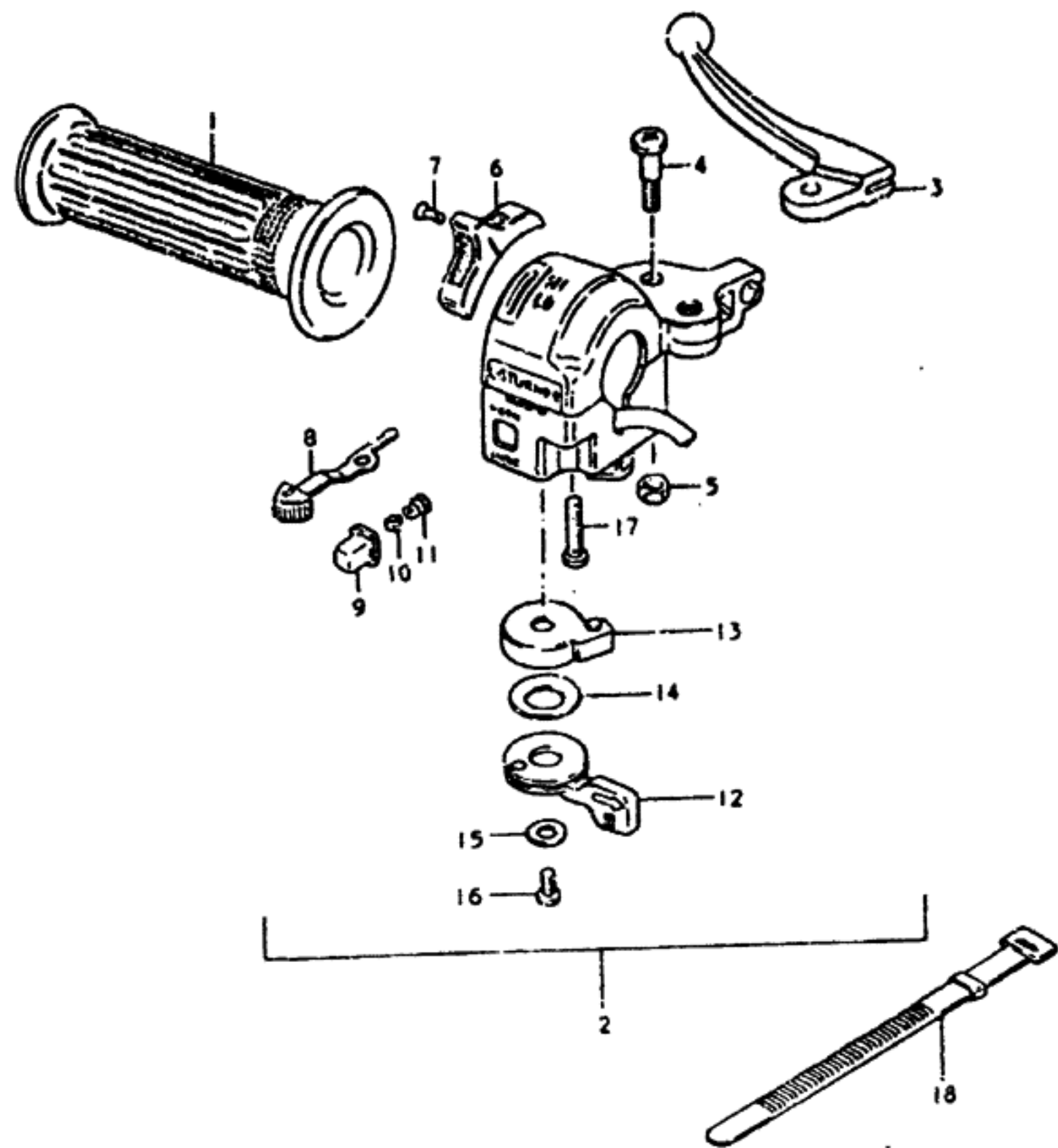


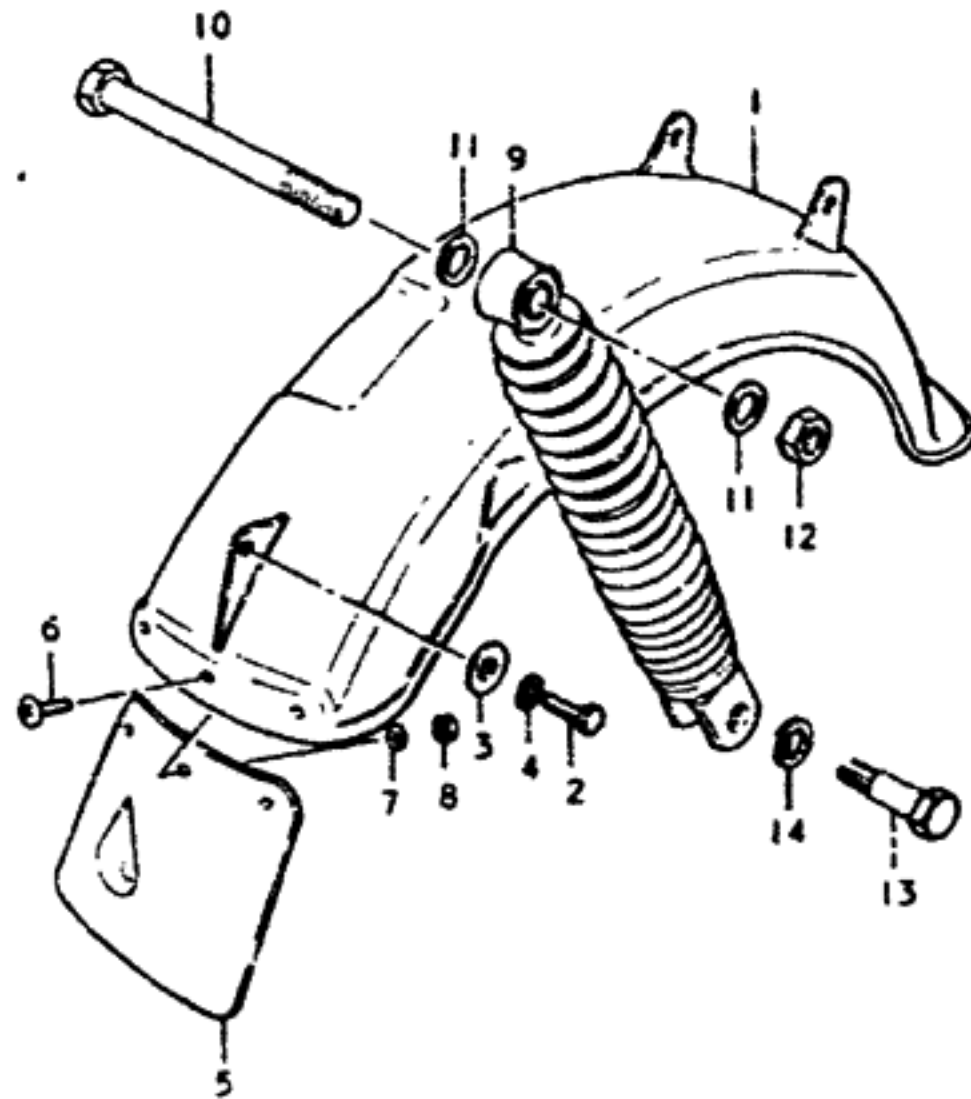
FIG. 36 REAR BRAKE - HANDLE SWITCH (PZ50X)

Qty

Ref. No.	Part No.	Description	Qty	Remarks
1	57211-48111	GRIP, LH	1	
2	57500-02220	SWITCH ASSY, LH handle	1	
3	57621-27500	LEVER, brake	1	
4	57431-01011	SCREW	1	
5	57633-27500	NUT	1	
6	57320-27500	KNOB, dimmer	1	
7	02132-03068	SCREW	1	
8	57651-27500	KNOB, turn signal	1	
9	57371-45000	BUTTON, horn	1	
10	57372-45000	CONTACT	1	
11	57392-45000	SPRING	1	
12	58721-27502	LEVER, starter	1	
13	58711-27500	BODY	1	
14	58722-03010	WASHER	1	
15	08322-21058	WASHER	1	
16	02112-05088	SCREW	1	
17	02112-05208	SCREW	2	
18	09407-12403	BAND	2	

FIG.37

FIG.37 REAR FENDER



Ref. No.	Part No.	Description	Qty	Remarks
1-1	63111-02401-189	FENDER, rear (White)	1	model N
1-2	63111-02410-189	FENDER, rear (White)	1	model T,X
2	01107-06168	BOLT	3	
3	09169-06016	WASHER	3	
4	08321-21068	LOCK WASHER	3	
5	63411-02400	MUD FLAP	1	
6	02142-05107	SCREW	3	
7	08322-21058	WASHER	3	
8	08310-11058	NUT	3	
9-1	62100-02401	ABSORBER ASSY, rear shock	1	model N,T
9-2	62100-02410	ABSORBER ASSY, rear shock	1	model X
10	09100-12113	BOLT, UPPER	1	
11	08322-11128	WASHER	2	
12	08310-12128	NUT	1	
13-1	09111-10002	BOLT LOWER	1	model N,T
13-2	09100-10107	BOLT LOWER	1	model X
14-1	08321-21128	LOCK WASHER	1	model N,T
14-2	08321-21108	LOCK WASHER	1	model X

FIG. 38

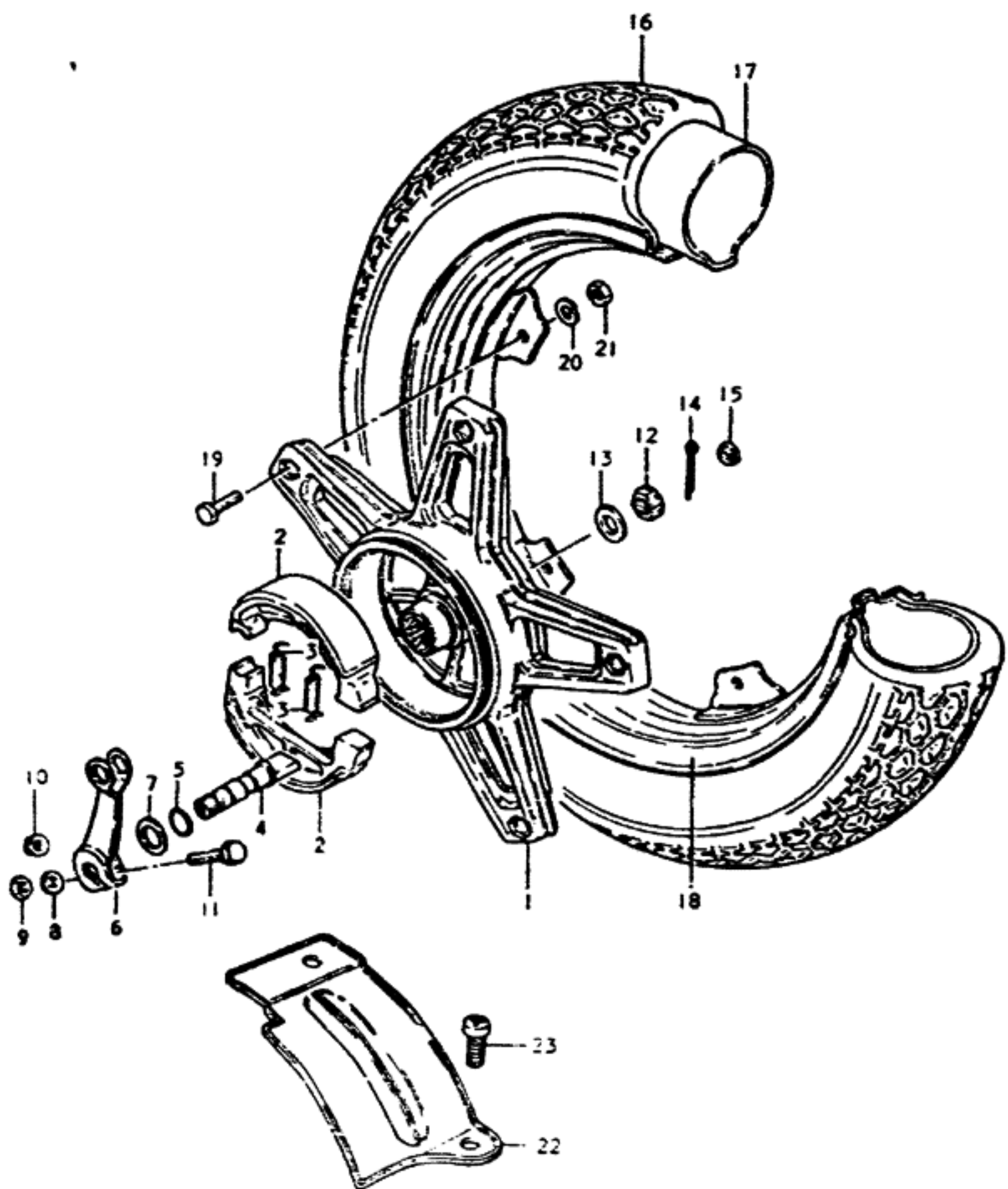


FIG. 38 REAR WHEEL

Ref. No.	Part No.	Description	Qty	Remarks
1	64110-02410-126	HUB, wheel (Pearl Metallic)	1	
2	54410-02410	SHOE, brake	2	
3	09443-07001	SPRING, shoe	2	
4	54441-02400	CAM, brake	1	
5	09280-12001	O RING	1	
6	64451-02400	LEVER, cam	1	
7	09160-12011	WASHER	1	
8	08322-21068	WASHER	1	model N, T
9	08310-11068	NUT	1	model N, T
10	08316-16068	NUT	1	model X
11-1	09100-06050	BOLT	1	model N, T
11-2	01107-06308	BOLT	1	model X
12	08314-41128	NUT	1	
13	08322-11128	WASHER	1	
14	04111-30308	COTTER PIN	1	
15	09250-12004	PLUG	1	
16	55100-02410	TIRE (3.00-12)	1	IRC
17	65200-46410	TUBE, inner	1	IRC
18	55310-02410-126	RIM, wheel	1	
19	09100-08091	BOLT	5	
20	08321-21088	LOCK WASHER	5	
21	06310-12088	NUT	5	
22	64491-02400	PROTECTOR, cam lever	1	
23	02112-06108	SCREW	2	

FIG.39

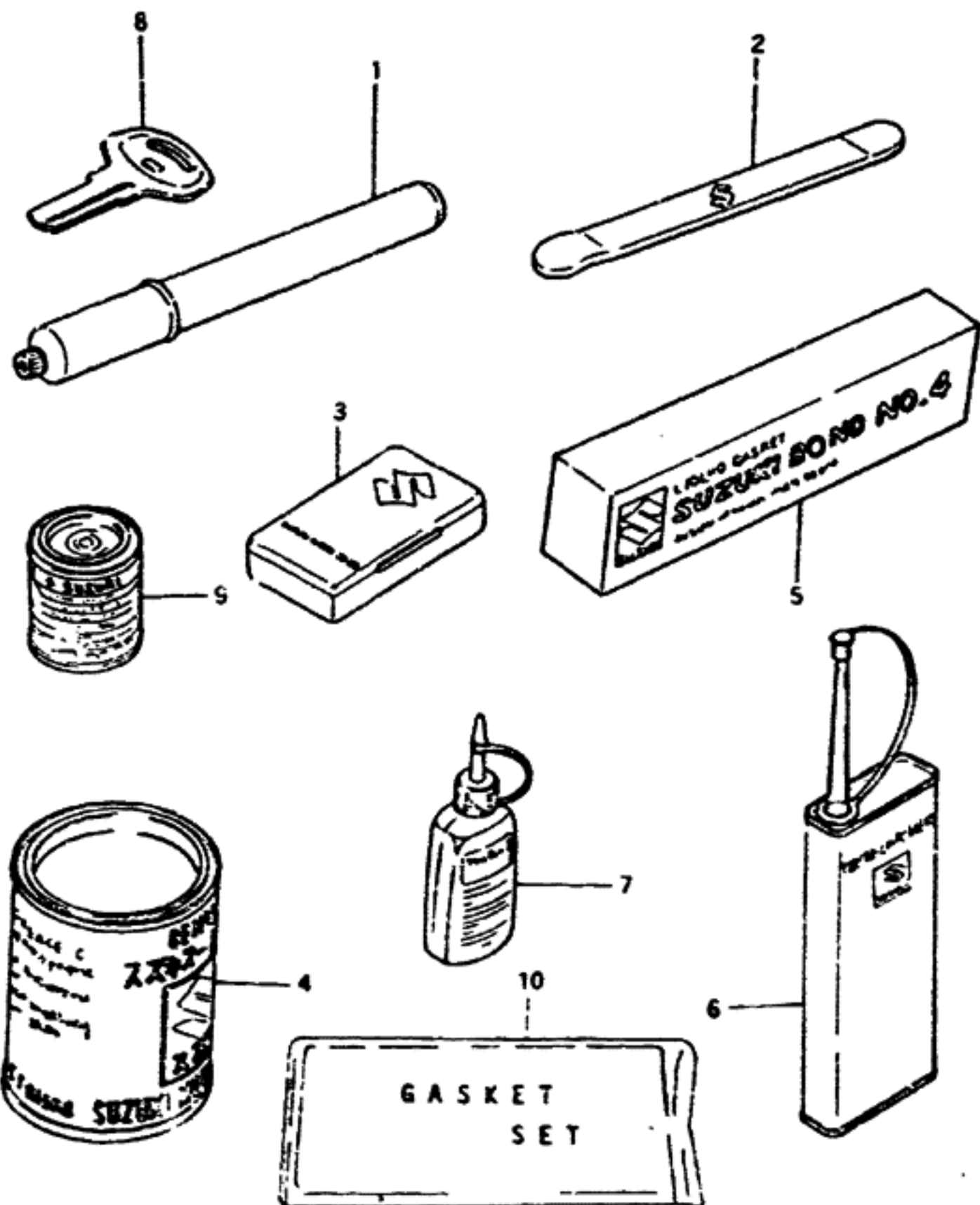


FIG.39 OPTIONAL

Ref. No.	Part No.	Description	Qty	Remarks
1	09821-00004	INFLATOR, air	1	
2	09825-00002	LEVER, tire	2	
3	09826-00001	TOOL SET, inner tube	1	
4	99000-25030	GREASE, super	1	NET:150g
5	99000-31030	SUZUKI BOND, No.4	1	NET:100g
6	99000-32040	Thread lock (1401)	1	NET:200g
7	99000-32050	Thread lock, super (1342)	1	NET:50g
8	37145-19710	KEY, blank	1	
9-1	99000-10209-00B	PAINT (Marble Rio Orange)	1	model N
9-2	99000-10209-07P	PAINT (Marble Pure Red)	1	
9-3	99000-10209-126	PAINT (Pearl Metallic)	1	
9-4	99000-10109-189	PAINT (Egret White)	1	NET:90g
9-5	99000-10109-07S	PAINT (Light Sky Blue)	1	
10-1	11400-02813	GASKET SET	1	model N
10-2	11400-02814	GASKET SET	1	model T,X