

ZVL

MOPED BABETTA

Spare Parts List

For Model Types 207.100 / 200 / 300

**Manufactured by:-
Povazské Strojárne, n.c., Povazská Bystrica
CSSR**

TABLE OF CLASSIFICATION OF CYLINDERS

Classification of cylinders	A	B	c
Normal	39.01+0.005	39.015+0.010	39.025+0.010
1-st re-bore	39.26+0.005	39.265+0.010	39.275+0.010
2-nd re-bore	39.51+0.005	39.515+0.010	39.525+0.010
3-rd re-bore	39.76+0.005	39.765+0.010	39.775+0.010
4-th re-bore	40.01+0.005	40.015+0.010	40.025+0.010

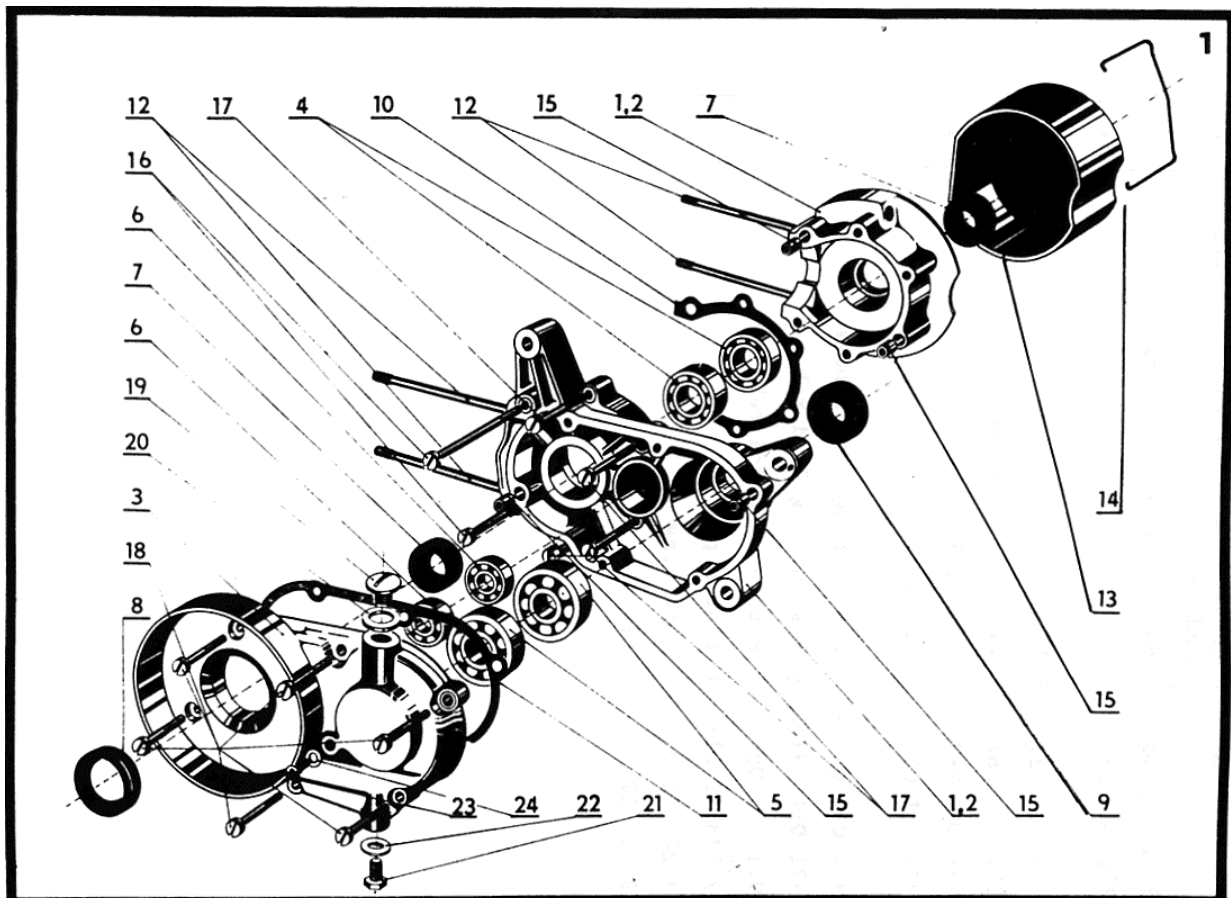
Classification of pistons	A	B	C
Normal	38.950-0.01	38.960-0.01	38.970-0.01
1-st re-bore	39.200-0.01	39.210-0.01	39.220-0.01
2-nd re-bore	39.450-0.01	39.460-0.01	39.470-0.01
3-rd re-bore	39.700-0.01	39.710-0.01	39.720-0.01
4-th re-bore	39.950-0.01	39.960-0.01	39.970-0.01

The grading diameter is measured approx. 34.5mm from the base of the piston.

1 – Item 2 – Part No. 3 – Part Name 4 - Number of pcs. 5 - Commercial reference number

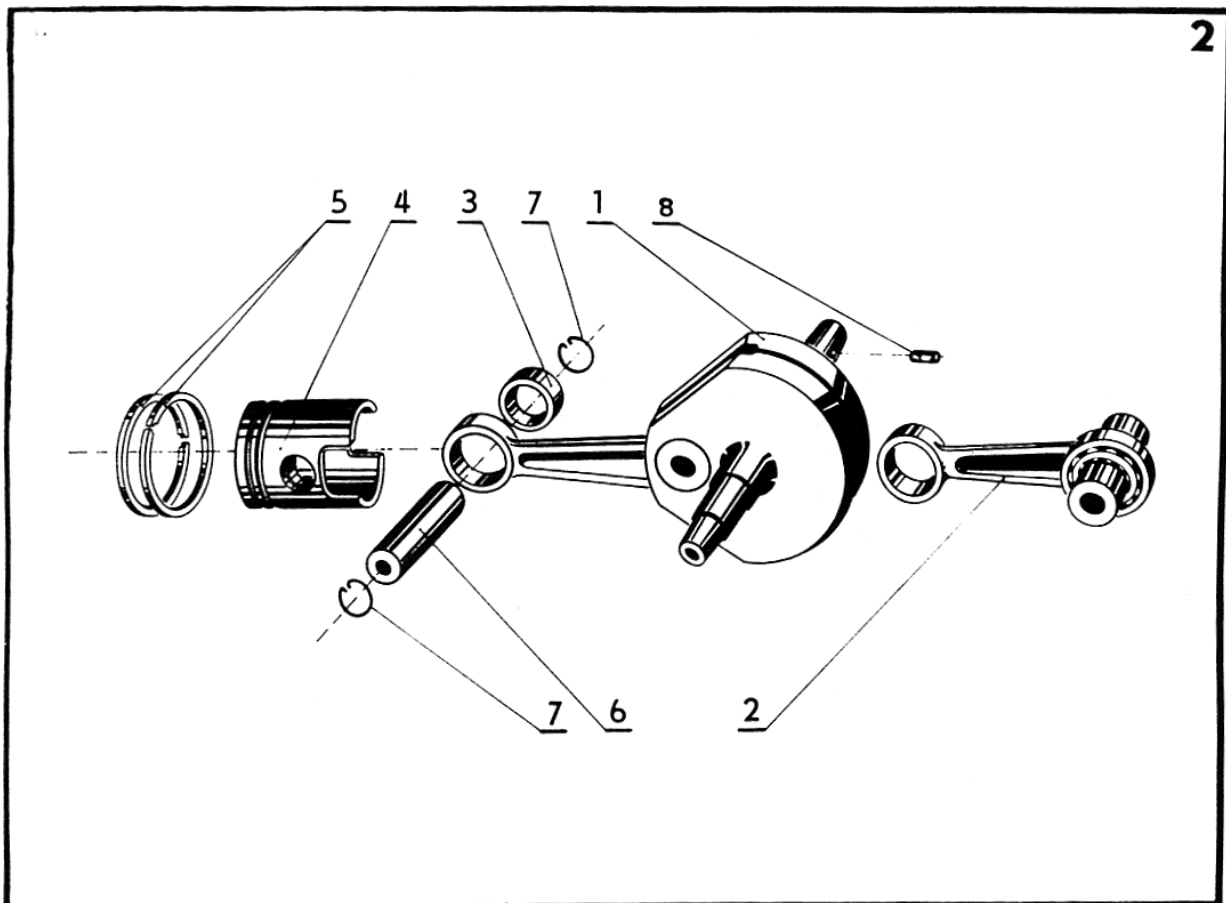
1. ENGINE BOXES

1	2	3	4	Alternative No.
-	451 9 228 10 001 207 17 302	Engine complete with Jikov carburetter Engine complete with Bing carburetter	1 1	28-1001
1	451 9 228 11 001	Engine boxes complete	1	
2	451 9 228 11 002	Engine boxes with bushes	1	28-1103
3	451 9 228 11 009	L.H. cover	1	
4	324 162 030 003	Bearing 6203/C3 CSN 02 4636	2	
5	324 165 040 003	Bearing 6004/C3 CSN 02 4633	2	
6	324 165 010 003	Bearing 6001/C3 CSN 02 4633	2	
7	273 521 003 505	Sealing ring 17x28x7 UN 02 9401.0	2	
8	273 521 007 605	Sealing ring 28x38x7 UN 02 9401.0	1	
9	273 521 004 517	Sealing ring 20x30x7 UN 02 9401.0	1	
10	451 9 228 11 005	R.H. box half sealing	1	28-1113
11	451 9 228 11 010	L.H. box half sealing	1	28-1132
12	451 9 228 11 004	Stud	4	28-1112
13	321 815 110 020	Ignition cover	1	28-1116
14	315 181 205 664	Spring	1	28-1119
15	451 9 260 11 006	Centring bush	4	28-1115
16	309 231 206 045	Screw M6x45 CSN 02 1131.25	2	
17	309 231 206 035	Screw M6x35 CSN 02 1131.25	4	
18	309 231 206 025	Screw M6x25 CSN'02 1131.25	6	
19	451 9 260 11 005	Screw	1	
20	722 923 110 203	Washer	1	
21	309 203 208 012	Screw M8x12 CSN 02 1103.25	1	
22	451 9 260 11 012	Washer	1	
23	309 246 205 010	Screw M5x10 CSN 02 1146.25	1	
24	451 9 228 11 011	Sealing washer	1	28-1141



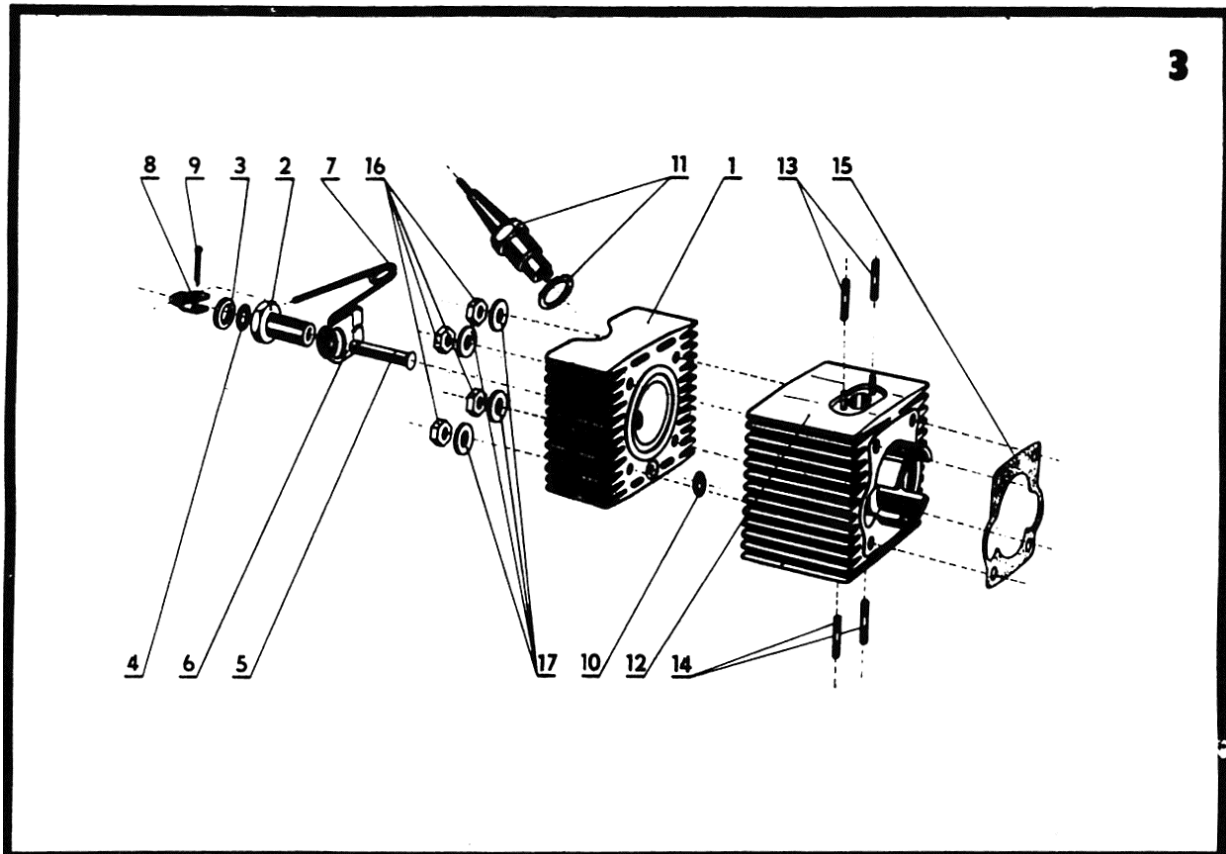
2. CRANK GEAR

1	2	3	4	Alternative No.
1	451 9 228 12 002	Crank gear without piston	1	21-1205
2	451 9 228 12 001	Connecting rod with pin, rollers and cage	1	28-1201
3	451 9 228 12 007	Bush of upper connecting pin eye	1	28-1212
4	319 231 000 280	Piston	1	28-1218
	319 231 000 281	Piston 1-st rebore	1	28-1218/1
	319 231 000 282	Piston 2-nd rebore	1	28-1218/2
	319 231 000 283	Piston 3-rd rebore	1	28-1218/3
5	326 971 011 097	Piston ring	2	28-1220
	326 971 011 097/1	Piston ring 1-st rebore	2	28-1220/1
	326 971 011 097/2	Piston ring 2-nd rebore	2	28-1220/2
	326 971 011 097/3	Piston ring 3-rd rebore	2	28-1220/3
6	451 9 228 12 012	Piston pin	1	28-1221
7	451 9 200 12 015	Lock ring	2	
8	451 9 355 12 033	Pin	1	105-1222



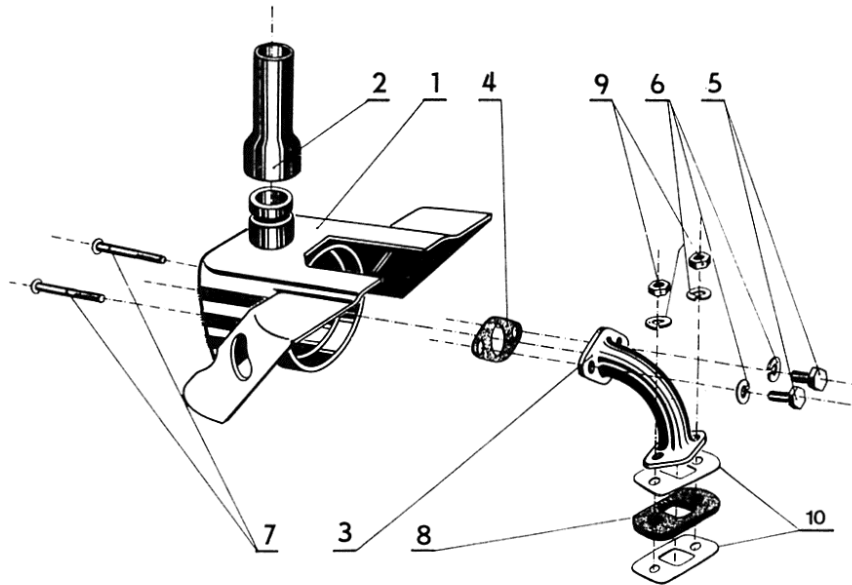
3. CYLINDER WITH HEAD

1	2	3	4	Alternative No.
1	451 9 228 13 001	Cylinder with head	1	28-1303
2	451 9 228 13 002	Decompressor body complete	1	28-1305
3	451 9 228 13 004	Washer	1	28-1308
4	273 111 010 015	Sealing ring 8x4 CSN 02 9280.3	1	
5	451 9 228 13 005	Valve	1	28-1314
6	451 9 228 13 006	Support	1	28-1315
7	315 181 202 604	Spring	1	28-1316
8	451 9 228 13 008	Valve clamp	1	28-1317
9	311 318 103 010	Split pin 1,6x10 CSN 02 1781.05	1	
10	273 111 014 025	Sealing ring 8x2 CSN 02 9281.9	1	
11	443 221 425 512	Spark plug 14-5	1	
12	451 9 228 13 009	Cylinder complete	1	28-1400
13	451 9 228 13 013	Stud	2	28-1408
14	451 9 228 13 014	Stud	2	28-1410
15	451 9 228 10 003	Sealing under cylinder	1	28-1006
16	311 120 121 060	Nut M6 CSN 02 1401.25	4	
17	311 210 120 064	Washer 6,4 CSN 02 1701.05	4	



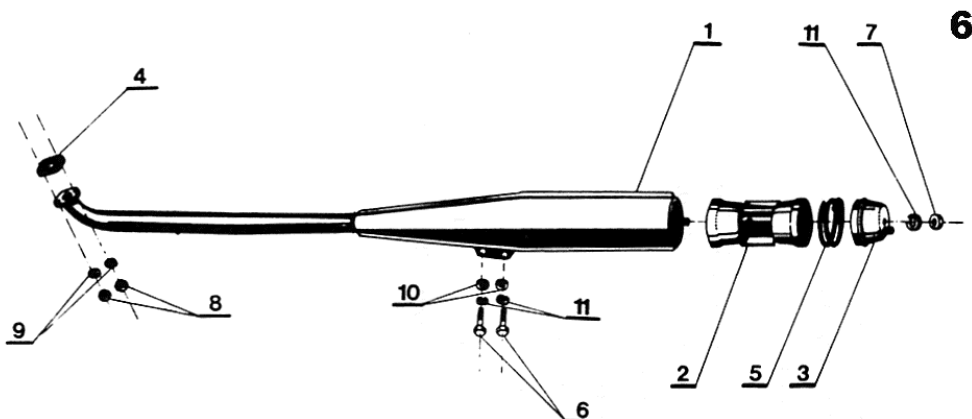
4. JIKOV CARBURETTOR MODEL ONLY

1	2	3	4	Alternative No.
1	451 9 228 04 008	Suction Branch	1	28-1511
2	451 9 228 04 009	Piping	1	28-1514
3	451 9 228 04 003	Suction piping welded	1	28-1505
4	451 9 228 04 002	Sealing under carburettor	1	28-1504
5	309 203 205 012	Screw M5x12 CSN 02 1103.25	2	
6	311 214 020 051	Washer 5,1 CSN 02 1740.05	4	
7	309 255 204 025	Screw M4x25 CSN 02 1155.25	2	
8	451 9 228 10 005	Insulating washer	1	28-1008
9	311 120 121 050	Nut M5 CSN 02 1401.25	2	
10	451 9 228 10 006	Sealing	2	



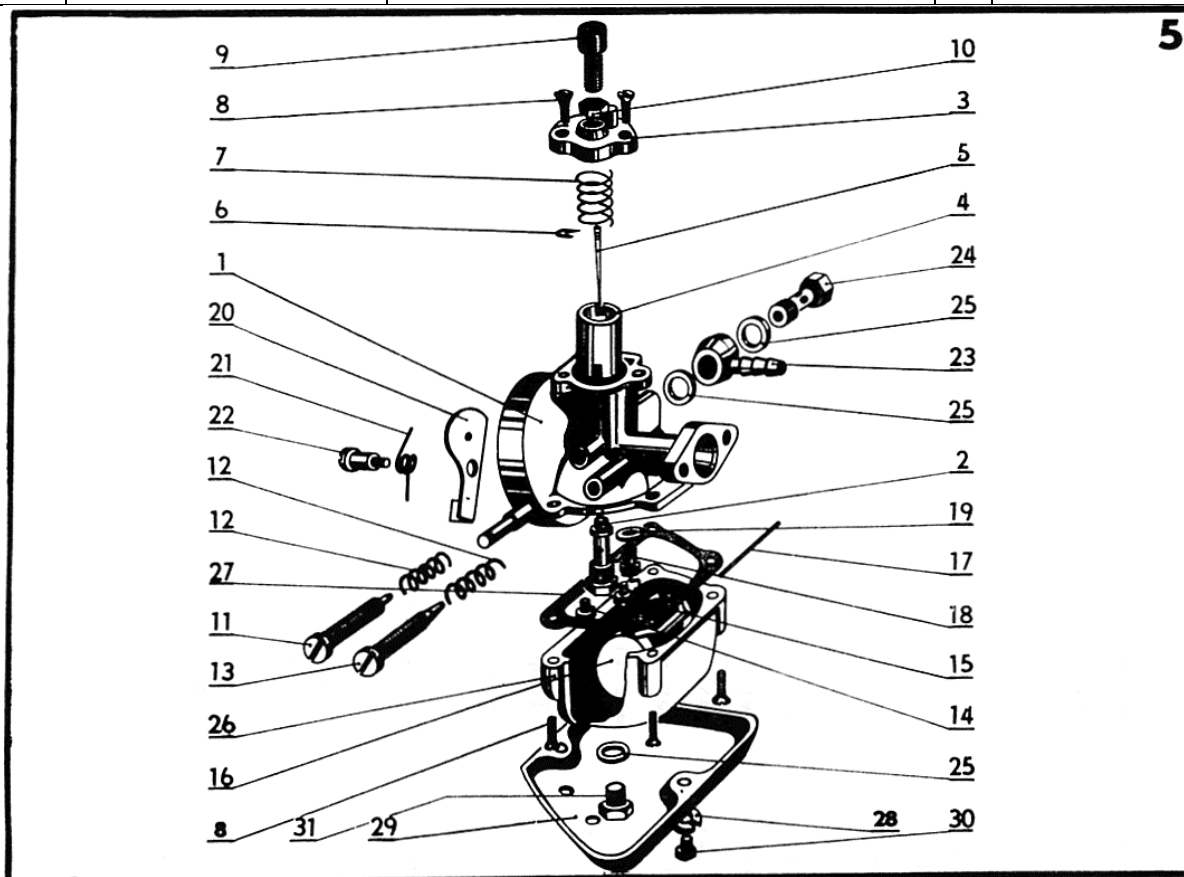
6. EXHAUST AND EXHAUST SILENCER

1	2	3	4
-	451 9 207 01 100	Exhaust silencer complete	1
1	451 9 207 01 104	Exhaust welded	1
2	451 9 228 01 048	Insert complete	1
3	451 9 228 01 054	End piece complete	1
4	451 9 228 10 004	Sealing	1
5	451 9 228 01 056	Sealing Ø 2 x 180	1
6	309 203 206 012	Screw M6 x 12 CSN 02 11 03.25	2
7	311 120 121 060	Nut M6 CSN 02 1401.25	1
8	311 120 121 050	Nut M5 CSN 02 1401.25	2
9	311 214 020 051	Washer 5,1 CSN 02 1740.05	2
10	311 210 120 064	Washer 6,1 CSN 02 1740.05	2
11	311 214 020 061	Washer 6,1 CSN 02 1740.05	3



5. CARBURETTER JIKOV

1	2	3	4	Alternative No.
-	443 752 278 200	Carburettor Jikov 2909 DC	1	2-66232
1	443 919 370 124	Carburettor body complete	1	2-65258
2	443 913 065 301	Emulsion tube	1	2-3219
3	443 917 060 936	Cover	1	2-65254
4	443 917 370 445	Mover	1	2-21218
5	443 912 091 703	Mover needle	1	2-31155
6	443 916 013 705	Lock	1	2-3350
7	443 911 340 328	Mover spring	1	2-4838
8	443 911 010 801	Screw with lenticular head	6	1-2455
9	443 911 033 603	Cable guide	1	2-2434
10	443 911 300 114	Nut	1	2-2516
11	443 911 013 803	Mover stop screw	1	2-2358
12	443 911 340 123	Spring	2	2-4825
13	443 911 014 902	Regulation screw	1	2-2503
14	443 912 405 800	Main jet	1	
15	443 912 203 500	Main jet / idle run /	1	2-3160 / 35
16	443 919 460 129	Double float complete	1	2-65257
17	443 912 010 148	Suspension shaft	1	2-31159
18	443 919 340 119	Needle valve complete	1	2-65253
19	443 916 250 248	Sealing Ø 5 / 5	1	2-5213
20	443 916 448 101	Diaphragm	1	2-2751
21	443 911 341 803	Diaphragm spring	1	
22	443 911 Oil 870	Diaphragm screw	1	
23	443 913 122 401	Branch	1	
24	443 911 051 501	Branch screw	1	
25	443 916 250 127	Sealing Ø 10 / 6,2	3	
26	443 917 111 311	Float chamber	1	
27	443 916 258 801	Sealing of float chamber	1	
28	311 214 000 041	Spring washer 4,1	2	
29	443 916 075 101	Drip tray	1	
30	309 231 704 008	Screw with cylinder head	2	
31	443 911 012 544	Plug M6	1	



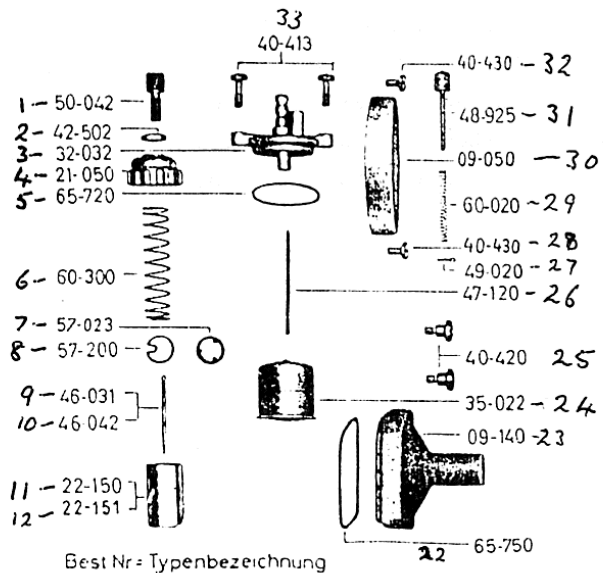
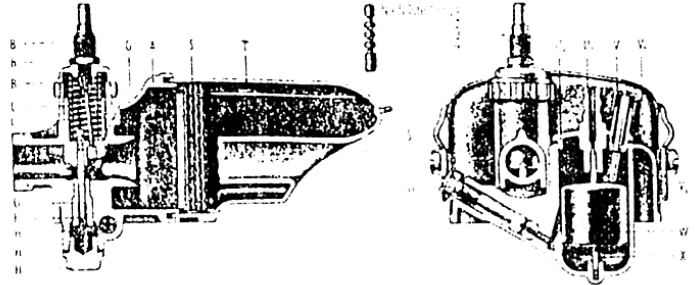
5a. BING CARBURETTER

1-12-325 Bing carburetter complete

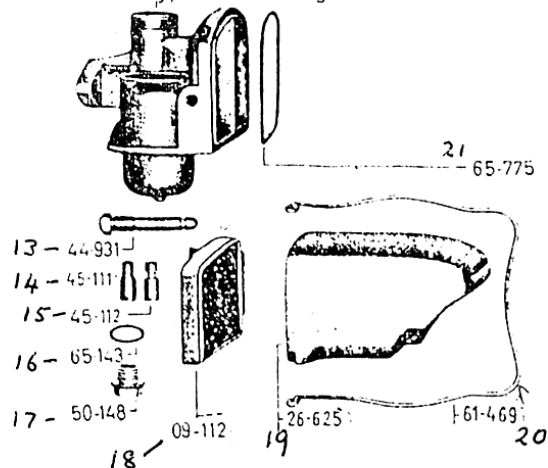


5A

- 1 50-042 Screw
- 2 45-502 Washer
- 3 32-032 Float lid
- 4 21-050 Screw cap
- 5 65-720 Seal
- 6 60-300 Spring
- 7 57-023 Plate
- 8 57-200 Stop plate
- 9 46-031 Needle 31
- 10 46-042 Needle 33
- 11 22-150 Sleeve 24
- 12 22-151 Sleeve 32
- 13 44-931 Jet
- 14 45-111 Jet
- 15 45-112 Jet
- 16 65-143 Washer
- 17 50-148 Cap nut
- 18 09-112 Air filter
- 19 26-625 Filter cap
- 20 61-469 Clamp
- 21 65-775 Seal
- 22 65-750 Seal
- 23 09-140 Air filter
- 24 35-022 Float
- 25 40-420 Seating screw
- 26 47-120 Float needle
- 27 49-020 Screw
- 28 40-438 Screw
- 29 60-020 Spring
- 30 09-050 Air filter
- 31 48-925 Air valve
- 32 40-430 Locking screw
- 33 40-413 Screw

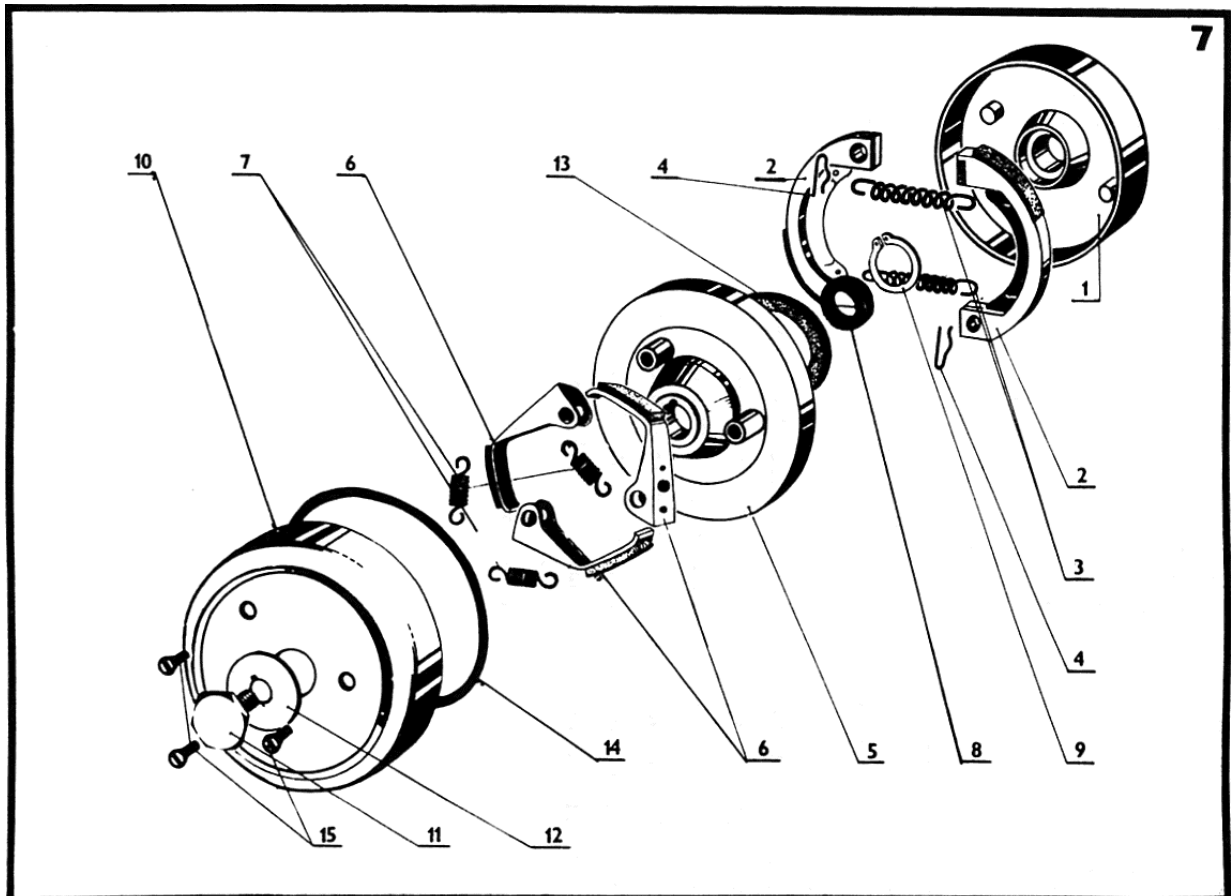


Best Nr = Typenbezeichnung



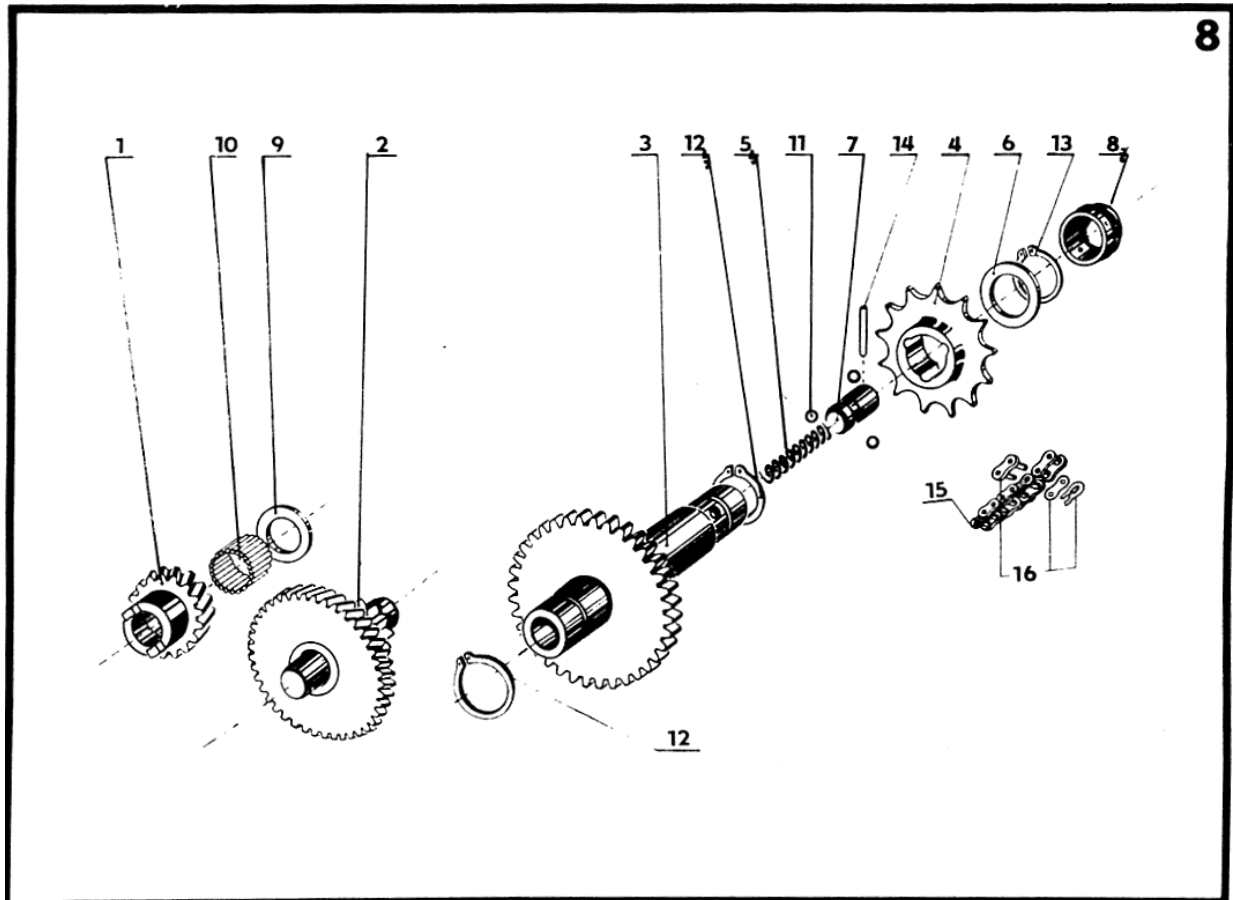
7. CLUTCH

1	2	3	4	Alternative No.
1	451 9 228 21 001	Clutch drum complete	1	28-2103
2	451 9 228 21 015	Clutch jaw complete	2	
3	315 111 156 594	Spring	2	28-2113
4	315 181 208 974	Circlip	2	28-2114
5	451 9 228 21 012	Segment guide body	1	28-2116
6	451 9 228 21 046	Starting jaw complete	3	28-2127
7	451 9 228 21 049	Springs	3	28-2121
8	273 521 002 603	Sealing ring 15 x 24 x 7 UN 02 9401.0	1	
9	311 173 930 902	Lock ring 15 CSN 02 2930	1	
10	451 9 228 21 052	Flywheel	1	28-2138
11	451 9 228 21 018	Screw	1	28-2132
12	451 9 228 21 019	Lock washer	1	28-2133
13	685 931 001 700	Ring	1	28-2126
14	273 111 014 484	Sealing ring Ø 100 x 5 CSN 02 9281.2	1	
15	309 255 205 010	Screw M5 x 10 CSN 02 1155.25	3	



8. TRANSMISSIONS

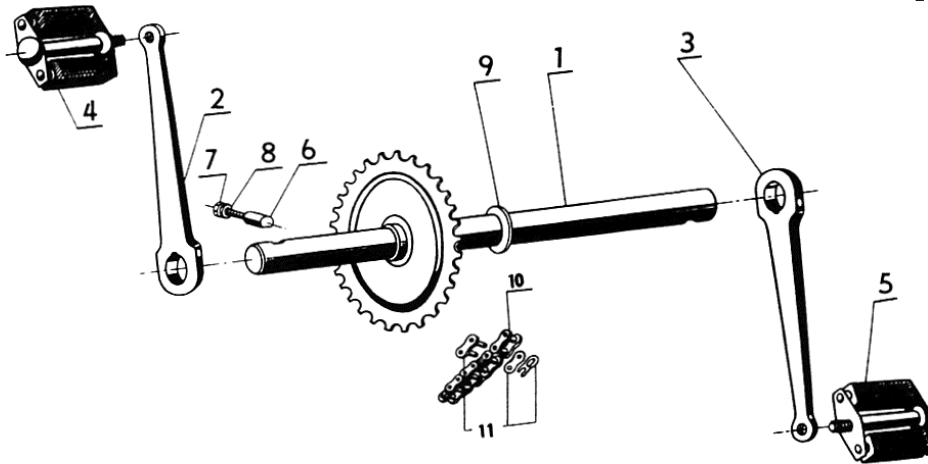
1	2	3	4
1	451 9 228 22 031	Gear 20 teeth	1
2	451 9 228 22 004	Gear teeth	1
3	451 9 228 22 009	Shaft complete	1
4	451 9 228 22 014	Sprocket 12 teeth	1
4	207-27-306	Sprocket 13 teeth	1
4	207-27-302	Sprocket 14 teeth	1
5	451 9 228 22 015	Spring	1
6	451 9 228 22 016	Washer	1
7	451 9 228 22 017	Disengaging pin	1
8	451 9 228 22 018	Control wheel	1
9	451 9 228 22 032	Washer	1
10	324 931 021 251	Needle Ø 2 x 12 CSN 02 3693	26
11	324 912 050 052	Ball Ø 5 CSN 02 3680	3
12	311 173 930 900	Lock ring 19 CSN 02 2930	2
13	311 173 930 901	Lock ring 18 CSN 02 2930	1
14	311 515 003 022	Pin 3 x 22 CSN 02 2150.1	1
15	318 111 060 097	Chain 97 links 086-1 CSN 02 3311.0	1
16	318 911 106 020	Link 086-1 CSN 02 3311.3	1



9. PEDAL TRANSMISSIONS AND CHAINS

1	2	3	4	Alternative No.
1	451 9 207 25 001	Shaft of pedals welded	1	
2	451 9 228 25 005	L.H. Crank	1	70047
3	451 9 228 25 004	R.H. Crank	1	70048
4	543 918 998 441	L.H. Pedal	1	70044
5	543 918 998 442	R.H. Pedal	1	70045
6	543 901 030 077	Crank key	2	359-22-038
7	311 120 121 060	Nut M6 CSN 02 1401.25	2	
8	311 210 120 064	Washer 6,4 CSN 02 1701.05	2	
9	451 9 228 25 003	Washer 17	2	
10	318 111 040 087	Chain 87 links 081-1 CSN 023311.0	1	
11	318 111 104 020	Link 081-1 CSN 02 3311.3	1	

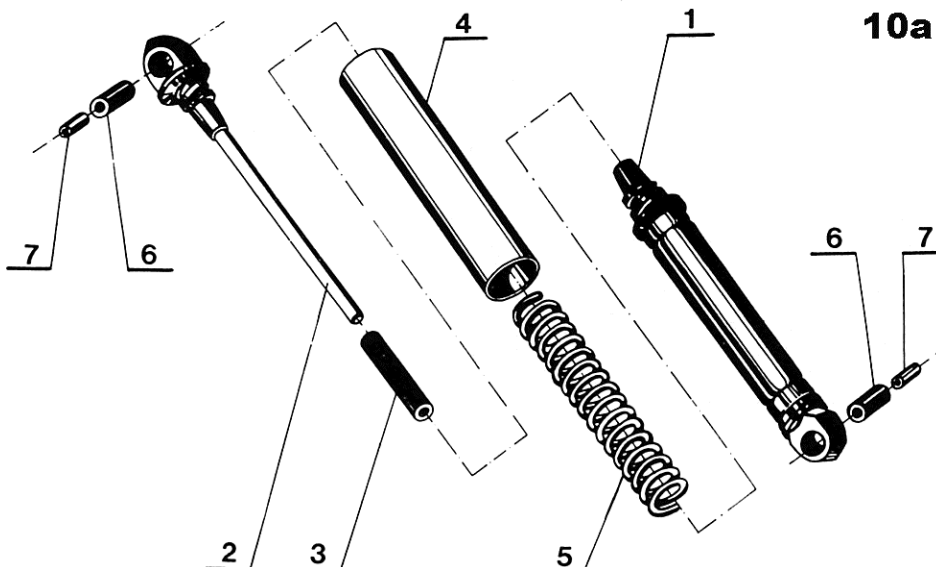
9



10A. REAR TELESCOPES

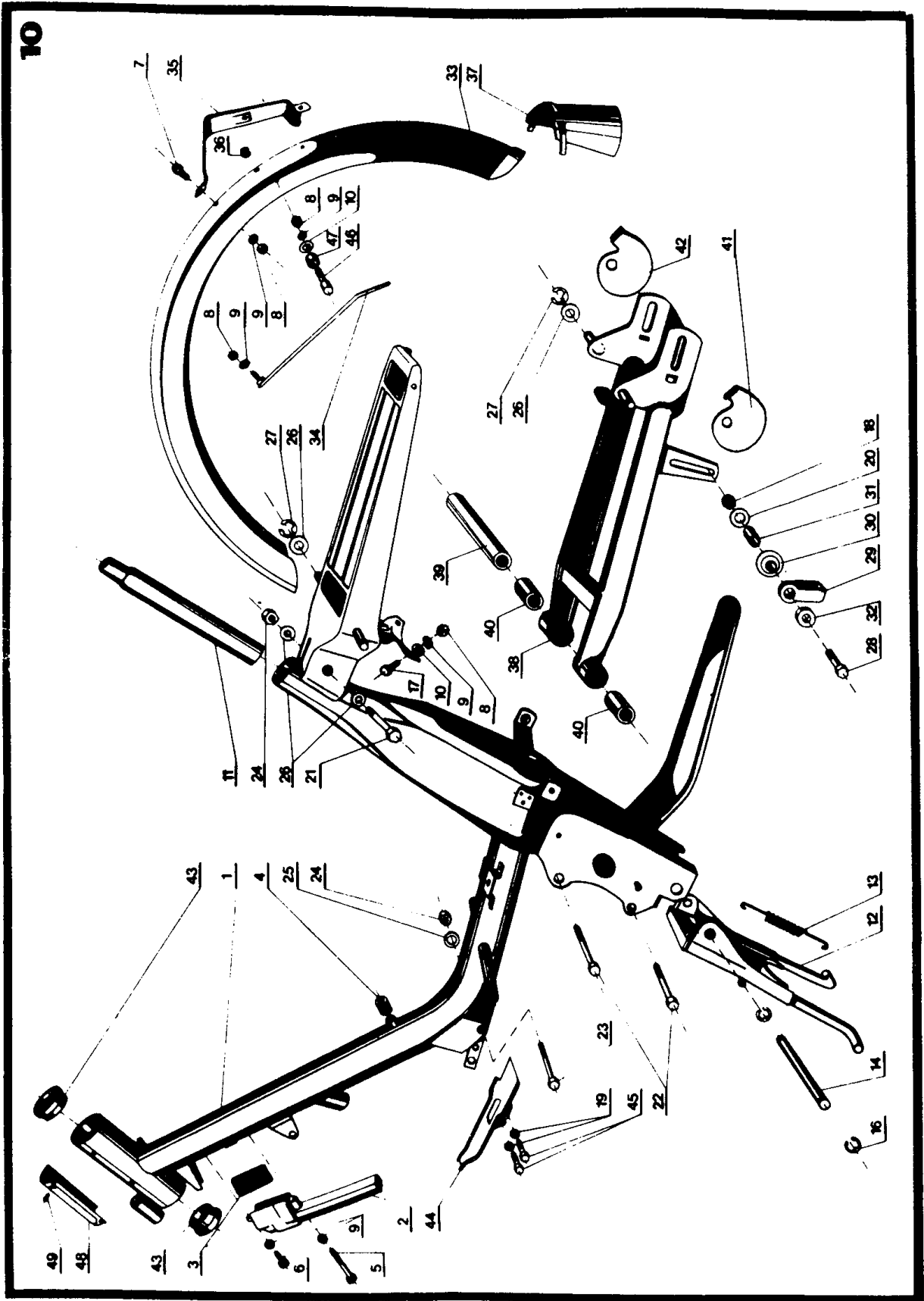
1	2	3	4	Alternative No.
-	443 622 477 800	Rear telescope complete	2	207-35-100
1	451 9 207 35 101	Lower catch complete	2	
2	451 9 207 35 109	Upper catch	2	
3	451 9 207 35 112	Rubber stop	2	
4	451 9 207 35 115	Upper jacket	2	
5	451 9 207 35 116	Spring	2	
6	273 211 003 470	Insert	4	200-35-008
7	451 9 200 35 009	Spacer	4	

10a



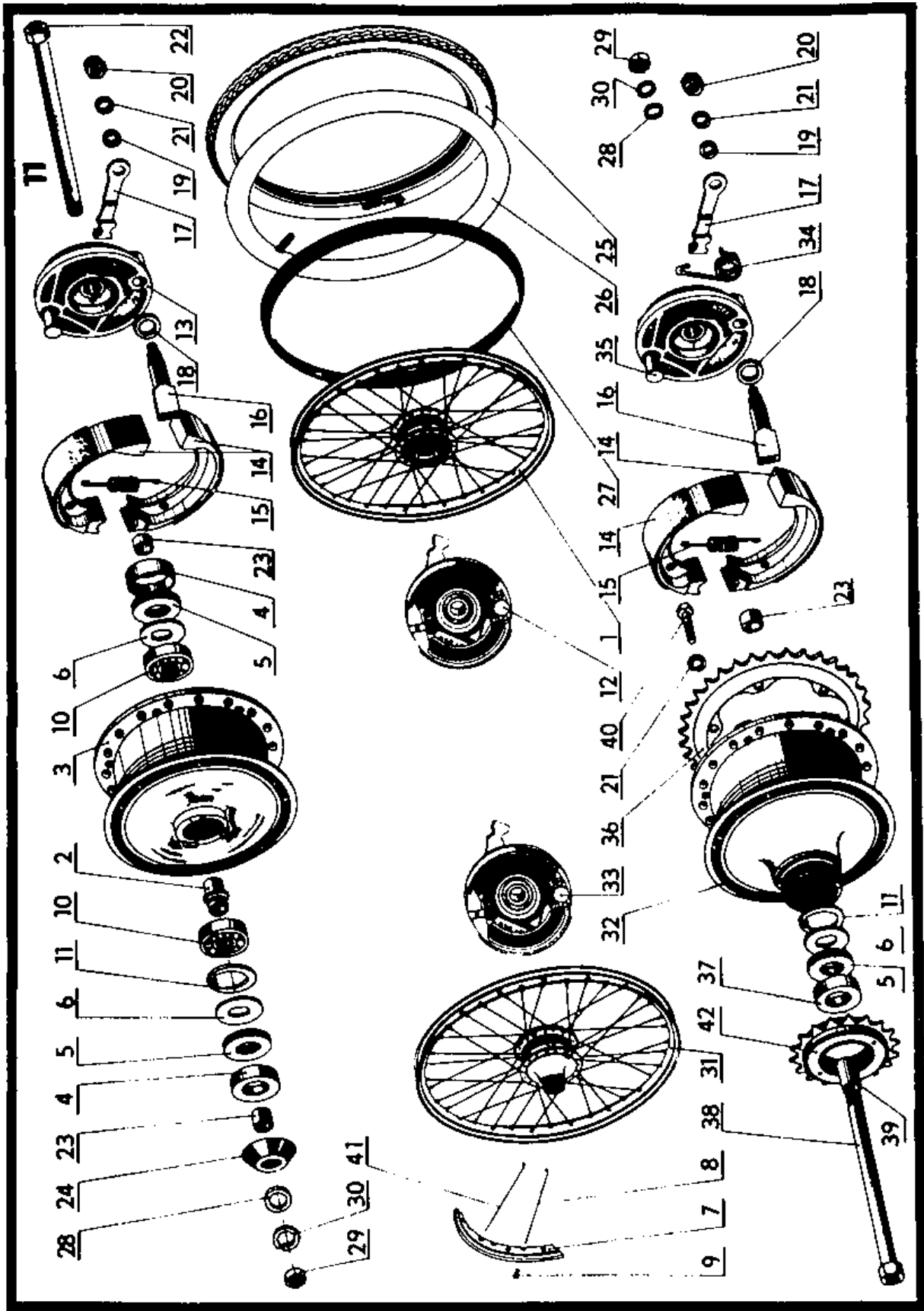
10. FRAME

1	2	3	4	Alternative No.
-	451 9 207 39 305	Frame complete (Type 305)	1	
-	451 9 207 30 101	Frame with swinging fork	1	
1	451 9 207 31 100	Frame welded	1	
	207-39-306	Frame welded (Type 305)	-	
2	451 9 228 04 011	Intake silencer cover	1	28-3018
3	70036	Filter netting	1	
4	273 211 002 900	Tank supporting piece	1	05-2127
5	309 231 205 040	Screw M5 x 40 CSN 02 1131.25	1	
6	309 231 205 010	Screw M5 x 10 CSN 02 1131.25	1	
7	309 246 205 010	Screw M5 x 10 CSN 02 1146.25	3	
8	311 120 121 050	Nut M5 CSN 02 1401.25	10	
9	311 214 020 051	Washer 5,1 CSN 02 1740.05	12	
10	311 210 120 053	Washer 5,3 CSN 02 1701.05	8	
11	451 9 228 30 002	Seat tube	1	28-3028
12	451 9 207 37 150	Stand welded	1	28-3400
13	451 9 228 37 004	Stand spring	1	28-3032
14	451 9 207 30 120	Stand pin	1	28-3033
16	311 732 900 070	Ring 7 CSN 02 2929.2	2	
17	309 203 205 012	Screw M5 x 12 CSN 02 1103.25	2	
18	311 120 121 060	Nut M6 CSN 02 1401.25	1	
19	311 214 020 061	Washer 6,1 CSN 02 1740.05	3	
20	311 210 120 061	Washer b6,4 CSN 02 1701.05	2	
21	309 201 208 050	Screw M8 x 50 CSN 02 1101.55	1	
22	309 201 208 060	Screw M8 x 60 CSN 02 1101.55	2	
23	309 201 208 045	Screw M8 x 45 CSN 02 1201	1	
24	311 120 121 080	Nut M8 CSN 02 1401.25	4	
25	311 214 020 082	Washer 8,2 CSN 02 1740.05	3	
26	311 210 120 084	Washer 8,4 CSN 02 1701.05	6	
27	311 732 900 060	Ring 6 CSN 02 2929.02	4	
28	309 203 206 030	Screw M6 x 30 CSN 02 1103.25	1	
29	451 9 228 30 021	Guide	1	28-3204
30	451 9 228 30 022	Roller	1	28-3205
31	451 9 228 30 023	Bush	1	28-3206
32	451 9 207 30 111	Spacer	1	
33	451 9 207 33 101	Rear mudguard welded	1	
33	207-39-126	Rear mudguard (Type 305)	-	
34	451 9 207 30 115	Mudguard holder welded	2	
35	451 9 207 33 004	Rear headlamp holder welded	1	
36	273 121 035 001	Bushing 3,5 x 1 CSN 633881.0	2	
37	451 9 228 33 006	Mudguard flap complete	1	
38	451 9 207 32 101	Swinging form complete	1	
39	451 9 207 30 110	Pin of swinging fork	1	
40	451 9 207 32 120	Insert	2	
41	451 9 207 56 192	L.H. chain tightener	1	
42	451 9 207 56 193	R.H. chain tightener	1	
43	451 9 359 31 011	Plate	2	
44	451 9 228 00 001	Transimo protector	1	28-002
45	309 203 206 012	Screw M6 x 12 CSN 02 1103.25	2	
46	451 9 228 43 011	Clip	2	
47	451 9 228 43 012	Plate	2	
48	548 232 032 422	Nameplate	1	
49	311 519 503 006	Nail 2,6 x 5 CSN 02 2195.02	4	



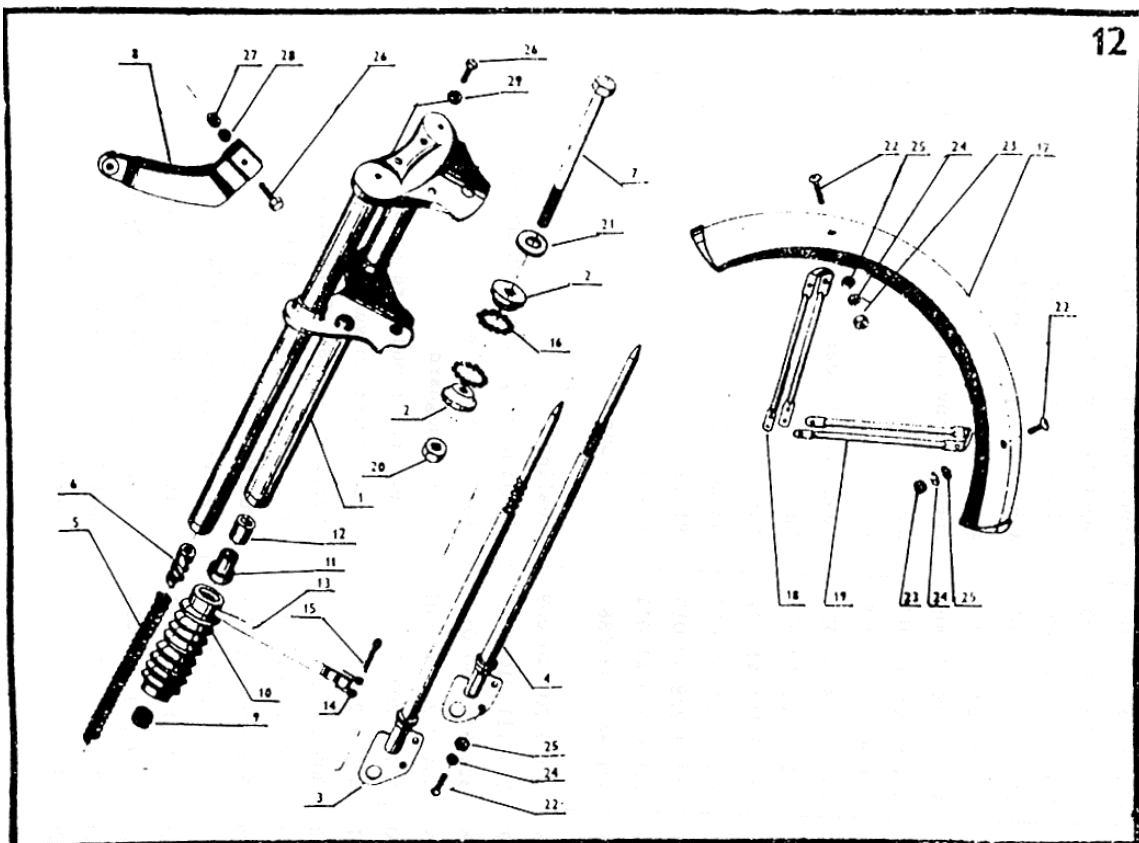
11. WHEELS

1	2	3	4	Alternative No.
1	451 9 207 51 001	Front wheel hub with rim	1	28-4003
2	451 9 228 51 002	Spacer bush	1	28-4004
3	451 9 228 51 003	Front wheel hub	1	28-4005
4	451 9 228 51 006	Sealing ring plate	4	28-4008
5	685 931 218 600	Sealing ring	4	28-4009
6	451 9 228 51 008	Washer	4	28-4010
7	451 9 207 51 004	Rim 2 1/4x16"	2	
8	451 9 207 51 003	Spoke M3 x l60	36	
9	311 935 320 030	Nut M3 ONA 307653.11	72	
10	324 165 010 000	Bearing 6001 CSN 02 4633	4	
11	311 173 931 903	Ring 28 CSN 02 2931	3	
12	451 9 228 51 014	Front brake cover complete	1	28-4024
13	451 9 228 51 016	Brake cover	1	28-4026
14	451 9 228 51 017	Brake jaw complete	4	28-4027
15	451 9 228 51 021	Brake spring	4	28-4031
16	451 9 228 51 022	Brake cam	2	28-4032
17	451 9 228 51 023	Disengaging lever	2	28-4033
18	451 9 228 51 024	Washer 10,2	2	
19	311 210 120 064	Washer 6,4 CSN 02 1701.05	2	
20	311 120 121 060	Nut M6 CSN 02 1401.25	2	
21	311 214 020 061	Washer 6,1 CSN 02 1740.05	8	
22	451 9 228 51 025	Axis of front wheel	1	28-4040
23	451 9 228 51 027	Set tube	3	28-4041
24	451 9 228 51 028	Ring	1	28-4042
25	274 121 142 111	Tyre 2 ¼ X 16"	2	
26	274 421 151 311	Inner tube 2 ¼ x 16"	2	
27	274 612 131 107	Insert 16"	2	
28	311 210 120 130	Washer 13 CSN 02 1701.05	3	
29	311 120 233 121	Nut M12 x l,5 CSN 02 1402.25	2	
30	311 214 020 122	Washer 12,2 CSN 02 1740.05	2	
31	451 9 207 56 001	Rear wheel hub with rim	1	
32	451 9 228 56 018	Rear wheel hub	1	
33	451 9 207 56 002	Rear brake cover complete	1	
34	451 9 228 56 006	Spring	1	28-4073
35	451 9 207 56 003	Brake cover	1	
36	451 9 207 56 005	Sprocket	1	
37	451 9 228 56 020	Sealing ring plate	1	
38	451 9 228 56 014	Axis of rear wheel	1	28-4095
39	451 9 228 56 016	Spacer bush	1	28-4097
40	309 212 206 016	Screw M6 x l6 CSN 02 1207.25	6	
41	451 9 207 51 002	Spoke M3 x l60	36	
42	543 920 032 000	L.H. idling pinion 18 teeth	1	



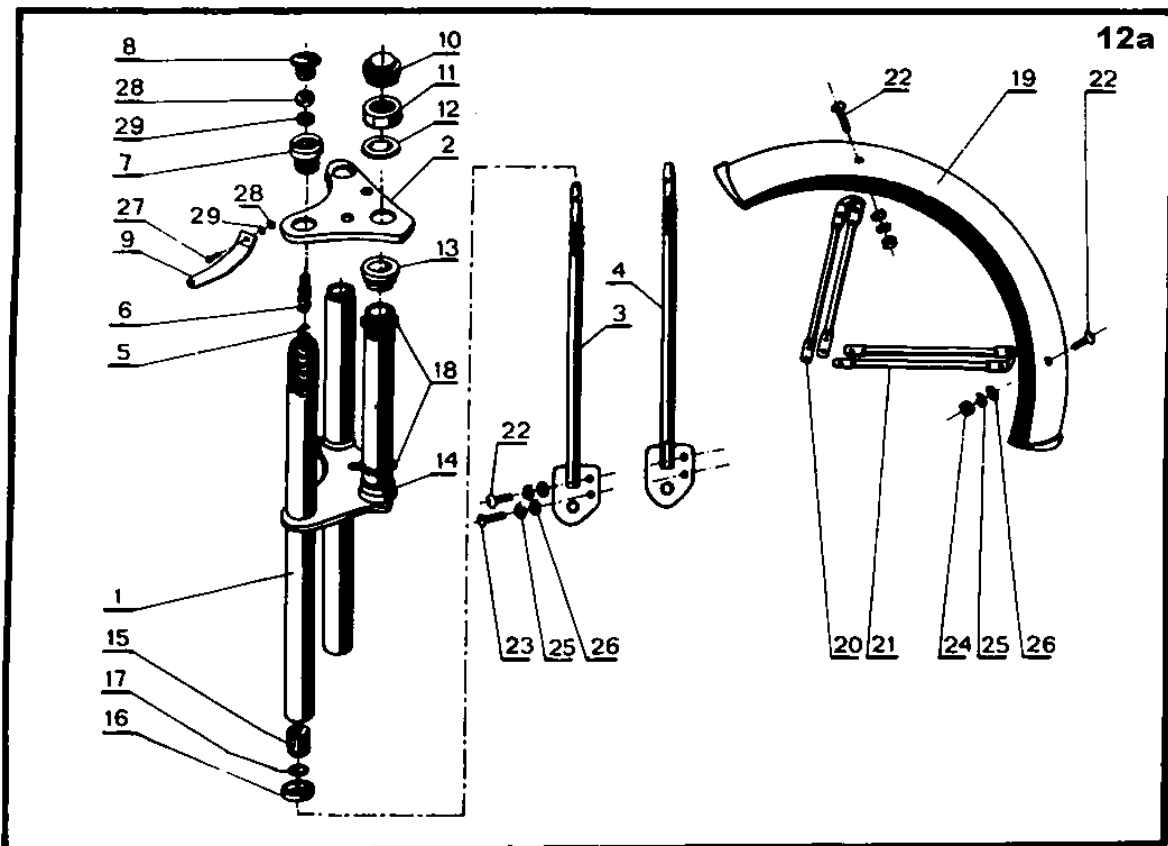
12. FORKS TYPE 300/305

1	2	3	4	5
1	451 9 207 41 302	Forks complete	1	602-450552
2	451 9 207 41 336	Ball race seat	2	602-450601
3	451 9 207 41 321	Slider L/H	1	602-450643
4	451 9 207 41 331	Slider R/H	1	602-450653
5	451 9 228 41 007	Spring	2	602-458110
6	451 9 207 41 327	Upper spring catch	2	602-456411
7	451 9 207 41 337	Head bolt	1	602-459010
8	451 9 228 40 023	Headlight holder	1	602-452310
9	451 9 207 41 326		2	602-495800
10	451 9 207 41 335	Bellows	2	602-495820
11	451 9 207 41 315	Bush	2	602-458091
12	228 40 008	Guide bush	2	602-458090
13	451 9 220 00 007	Strap	2	614-032590
14	451 9 359 41 142	Clip	2	930 490005
15	311 328 103 218	Split pin	2	984-932818
16	324 912 050 052	Ball race	42	968-405000
17	451 9 207 43 001	Front mudguard	1	602-670303
18	451 9 207 43 302	Mudguard stay	1	602-670313
19	451 9 207 43 003	Mudguard stay	1	602-670312
20	311 120 121 120	Nut 12 CSN 02 1403.25	1	992-403492
21	311 210 220 130	Washer 13 CSN 02 1702.15	1	992-702492
22	309 246 205 010	Screw M5 x 10 CSN 02 1146.25	6	975-285010
23	311 120 121 050	Nut M5 CSN 02 1401.25	4	992-401085
24	311 214 020 051	Washer 5,1 CSN 02 1740.05	8	992-740485
25	311 210 120 053	Washer 5,3 CSN 02 1701.05	8	992-701485
26	309 203 206 014	Screw M6 x 14 CSN 02 1103.25	3	971-286014
27	311 120 121 060	Nut M6 CSN 02 1401.25	1	992-401486
28	311 214 020 061	Washer 6,1 CSN 02 1740.05	1	992-740486
29	311 210 120 064	Washer 6,4 CSN 02 1702.15	2	992-702486



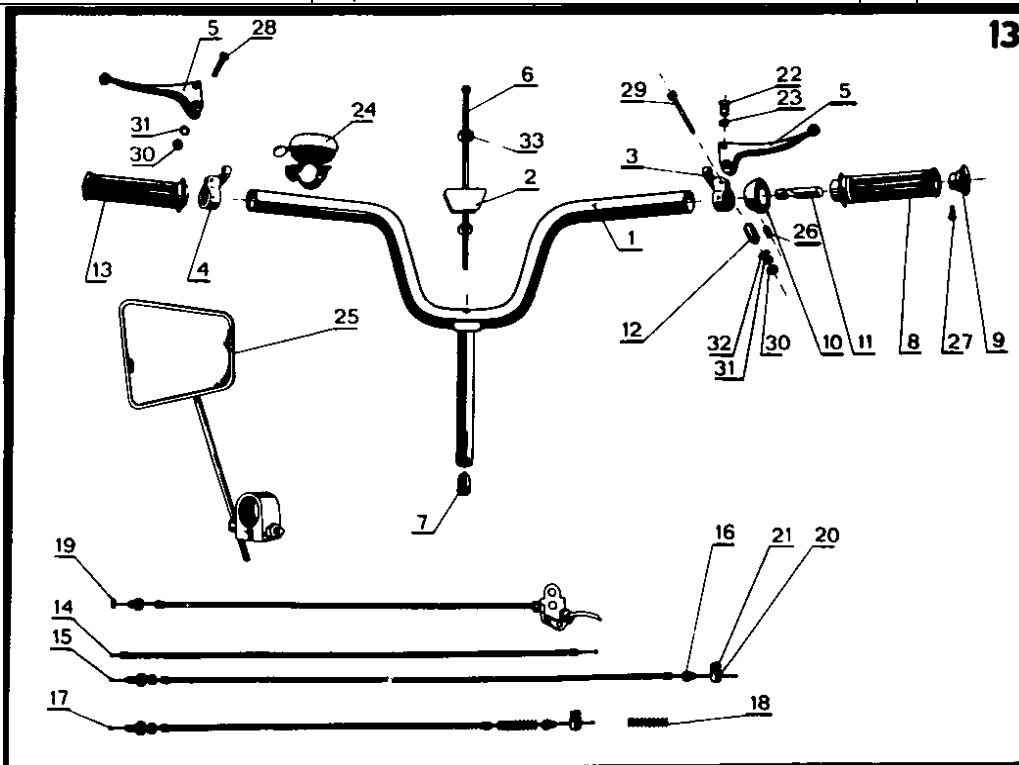
12A. FRONT SUSPENSION

1	2	3	4	Alternative No.
1	451 9 207 40 005	Front suspension complete	1	28-5100
2	451 9 207 40 003	Upper goggles welded	1	28-5016
3	451 9 207 41 006	L.H. slide piece welded	1	28-5022
4	451 9 207 41 001	R.H. slide piece welded	1	28-5023
5	451 9 228 41 007	Spring	2	28-5032
6	451 9 228 41 008	Upper spring catch	2	28-5033
7	451 9 228 40 017	Nut	2	28-5034
8	451 9 228 40 018	Plug	2	28-5037
9	451 9 228 40 023	Headlight holder	1	28-5047
10	451 9 228 40 012	Nut	1	28-5012
11	451 9 151 41 007	Nut	1	151-41-007
12	451 9 228 40 013	Washer 27	1	28-5013
13	451 9 228 40 015	Plate	1	28-5018
14	451 9 359 41 034	Plate	1	28-5018
15	321 841 703 086	Guide bush	4	28-5113
16	451 9 207 40 009	Sealing cup	2	
17	273 111 010 114	Sealing ring 20 x 16 CSN 02 9280	2	50003
18	324 912 050 052	Ball 5 CSN 02 3680	42	40001
19	451 9 207 43 001	Front mudguard	1	
20	451 9 207 43 002	Upper front mudguard strut	1	
21	451 9 207 43 003	Lower front mudguard strut	1	
22	309 246 205 010	Screw M5 x 10 CSN 02 1146.25	6	
23	309 246 205 012	Screw M5 x 12 CSN 02 1146.25	2	
24	311 120 121 050	Nut M5 CSN 02 1401.25	4	
25	311 214 020 051	Washer 5,1 CSN 02 1740.05	8	
26	311 210 120 053	Washer 5,3 CSN 02 1701.05	8	
27	309 203 206 014	Screw M6 x 14 CSN 02 1103.25	1	
28	311 120 121 060	Nut M6 CSN 021401.25	3	
29	311 214 020 061	Washer 6,1 CSN 02 1740.05	3	



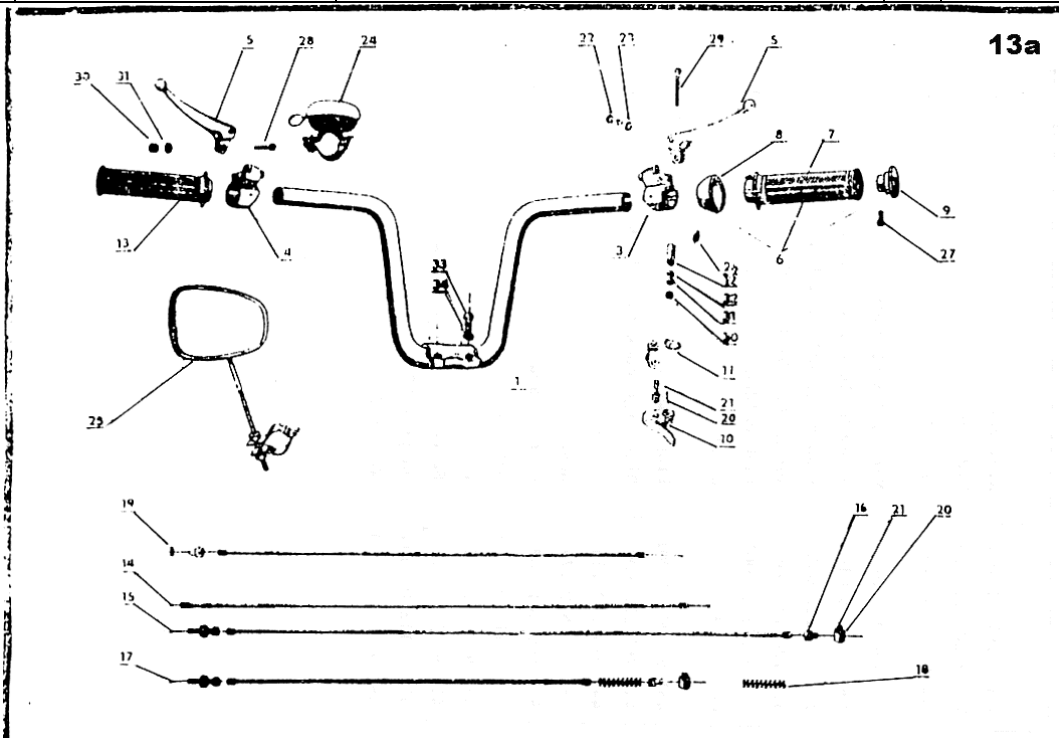
13. HANDLEBARS

1	2	3	4	Alternative No.
1	451 9 207 46 001	Handlebars welded	1	
2	451 9 207 46 003	Handlebars cowl	1	
3	451 9 228 46 043	R.H. lever holder	1	
4	451 9220 46 002	L.H. lever holder	1	
5	451 9 228 46 041	Lever complete	2	28-5227
6	451 9 228 46 007	Handlebars spindle	1	28-5213
7	451 9 550 46 022	Handlebars cone	1	550-46-022
8	451 9 353 46 101	Twist grip	1	353-46-101
9	451 9 236 46 013	Plug	1	359-46-101
10	451 9 353 46 105	Ring with spring	1	353-46-105
11	451 9 353 46 112	Catch	1	353-46-112
12	451 9 228 46 053	Spacer	1	
13	321 831 001 000	L.H. rubber grip	1	28-5223
14	451 9 228 46 034	Gas bowden complete	1	28-5240
15	451 9 207 46 008	Rear brake bowden complete	1	28-5246
16	451 9 228 46 033	Support	2	
17	451 9 207 46 004	Front brake bowden complete	1	28-5255
18	451 9 228 46 022	Spring	1	28-5272
19	451 9 228 46 050	De-compressor bowden complete with lever	1	
20	451 9 353 46 031	End piece	3	353-46-031
21	451 9 550 46 030	Screw	3	550-46-031
22	451 9 228 46 011	Sleeve	2	
23	315 181 200 014	Securing ring	2	
24	543 412 020 101	Bell	1	Not available
25	443 332 067 820	Rear-view mirror	1	Not available
26	309 281 506 005	Screw M6 x 5 CSN 02 1181.25	1	
27	309 255 205 010	Screw M5 x 10 CSN 02 1155.25	1	
28	309 231 205 020	Screw M5 x 20 CSN 02 1131.25	2	
29	309 231 205 040	Screw M5 x 40 CSN 02 1131.25	2	
30	311 120 121 050	Nut M5 CSN 02 1402.25	2	
31	311 214 120 051	Washer 5,1 CSN 02 1740.05	2	
32	311 210 120 053	Washer 5,3 CSN 02 1701	1	
33	311 210 120 084	Washer 8,4 CSN 02 1701.05	2	
-	220-65-000	Dip switch		



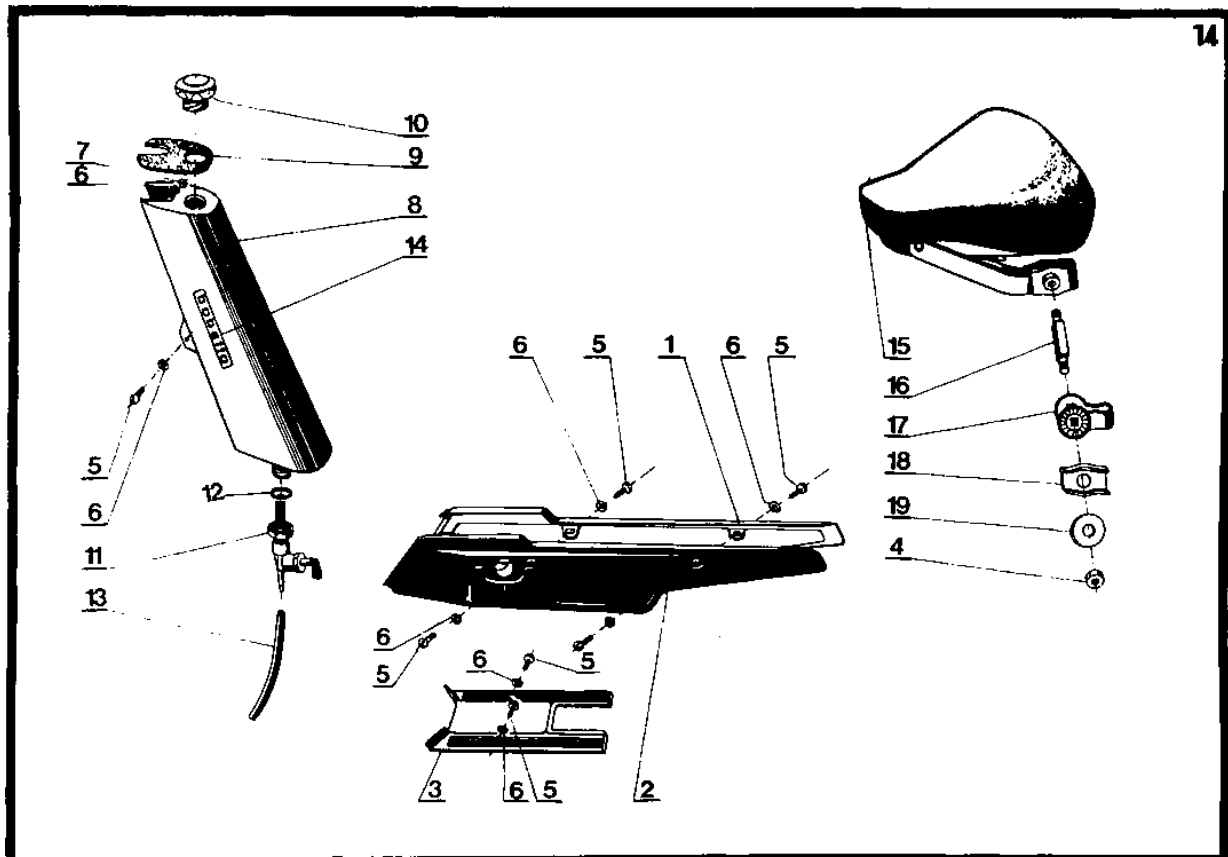
13A. HANDLEBARS - TYPE 305

1	2	3	4	5
1	451 9 207 46 301	Handlebars	1	602-500805
3	451 9 228 46 043	R/H lever holder	1	
4	451 9 220 46 002	L/H lever holder	1	614-502310
5	451 9 228 46 041	Lever	2	602-500943
6	451 9 236 46 005	Twistgrip complete	1	620-500810
7	451 9 236 46 014	Twistgrip	1	620-500820
8	451 9 236 46 015	Ring	1	602-500830
9	451 9 236 46 013	Plug	1	620-504680
10	451 9 228 46 012	De-compressor lever	1	602-500960
11	451 9 228 46 049	De-compressor bracket	1	602-502314
12	451 9 228 46 053	Spacer	1	602-508062
13	321 831 001 000 /228 46 009/	L/H rubber grip	1	658-591950
14	451 9 207 46 335	Throttle cable	1	602-500871
15	451 9 207 46 345	Rear brake cable	1	602-520902
16	451 9 228 46 033	Support	2	602-522780
17	451 9 207 46 325	Front brake cable	1	602-500902
18	451 9 228 46 022	Spring	1	602-508111
19	228 46 056	De-compressor cable	1	602-500920
20	451 9 353 46 031	End piece	3	659-522780
21	451 9 550 46 030	Screw	3	614-529090
22	451 9 228 46 011	Sleeve	2	602-508061
23	315 181 200 044	Washer 8 CSN 022925.2	2	992-925008
24	543 412 020 101	Bell (not available)		
25	443 332 365 865	Mirror (not available)	1	699-590385
26	309 281 506 005	Screw M6 x 5 CSN 02 1181.25	1	977-686005
27	309 255 205 010	Screw M5 x 10 CSN 021155.25	1	976-585010
28	309 231 205 020	Screw M5 x 20 CSN 021131.25	2	974-185020
29	309 231 205 040	Screw M5 x 40 CSN 021131.25	2	974-185040
30	311 120 121 050	Nut 5 CSN 02 1401.25	2	974-185040
31	311 214 020 051	Washer 5,1 CSN 02 1740.05	2	992-740485
32	311 210 120 053	Washer 5,3 CSN 02 1702.05	1	992-702485
33	309 203 206 025	Screw M6 x 25 CSN 02 1101.25	4	970-286025
34	311 214 020 061	Washer 6,1 CSN 02 1740.05	4	992-740486



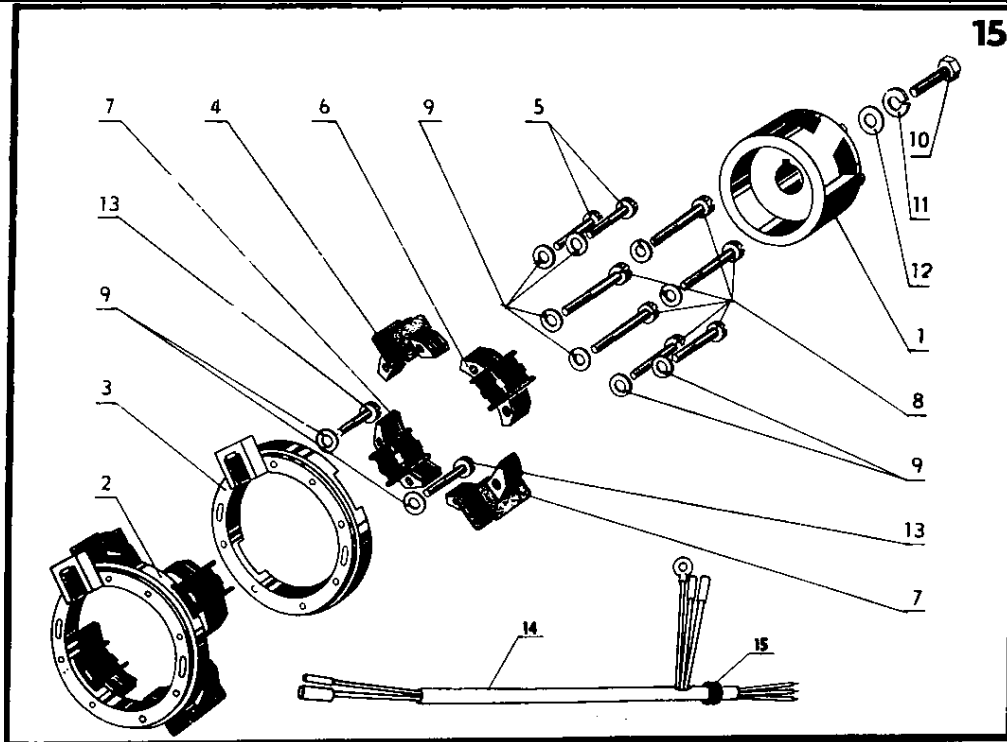
14. COWLS, TANK AND SEAT

1	2	3	4	5
1	451 9 207 71 105	R.H. cowl	1	
2	451 9 207 71 110	L.H. cowl	1	
3	562 815 110 010	Upper cowl	1	28-7122
4	311 120 121 080	Nut M8 CSN 02 1401	2	
5	309 246 205 010	Screw M5 x 10 CSN 02 1146.25	8	
6	311 210 120 053	Washer 5,3 CSN 02 1701.05	9	
7	311 120 121 050	Nut M5 CSN 02 1401.25	1	
8	451 9 228 38 001	Tank welded	1	28-7205
9	685 932 306 000	Cover	1	28-7218
10	451 9 200 38 001	Plug complete	1	05-3340
11	443 761 280 900	Discharge cock type 14 K	1	70-053
12	443 916 250 133	Gasket	1	
13	283 362 600 174	Hose	1	28-7227
14	973 400 001 008	Label "Jawa"	2	
15	451 9 111 00 000	Seat complete	1	01-9999
16	451 9 116 20 011	Bolt	1	
17	451 9 116 20 007	Socket of seat fitting	1	
18	451 9 118 00 504	Adapter 28	2	50-3200504
19	451 9 116 20 000	Washer 28	2	100-620-030



15. ALTERNATOR FOR TRANZIMO

1	2	3	4	Alternative No.
-	443 113 534 010	Alternator complete	1	28-6000
1	443 990 203 025	Rotor	1	28-6002
2	443 990 133 041	Stator complete	1	28-6010
3	443 990 133 045	Stator carrier complete	1	28-6011
4	443 990 133 061	Ignition pole	1	228-61-050
5	309 231 204 014	Screw M4 x l4 CSN 02 1131.24	2	20201
6	443 990 203 033	Ignition pole I. <i>(Lighting coil)</i>	1	28-6027
7	443 990 203 036	Ignition pole II. <i>(Lighting coil)</i>	2	28-6036
8	309 231 204 030	Screw M4 x 30 CSN 02 1131.24	6	
9	311 214 420 041	Washer 4,1 CSN 02 1740.04	10	
10	309 203 205 025	Screw M5 x 25 CSN 02 1103.24	1	
11	311 214 020 051	Washer 5,1 CSN 02 1740.04	1	
12	311 210 120 053	Washer 5,3 CSN 02 1701.04	1	
13	309 231 204 022	Screw M4 x 22 CSN 02 1131.24	2	
14	451 9 228 60 026	Alternator wiring	1	28-6226
15	273 121 120 030	Bushing	1	150-49-005



NB:- Item 3.

Yellow cable
Indicates
Thyristor

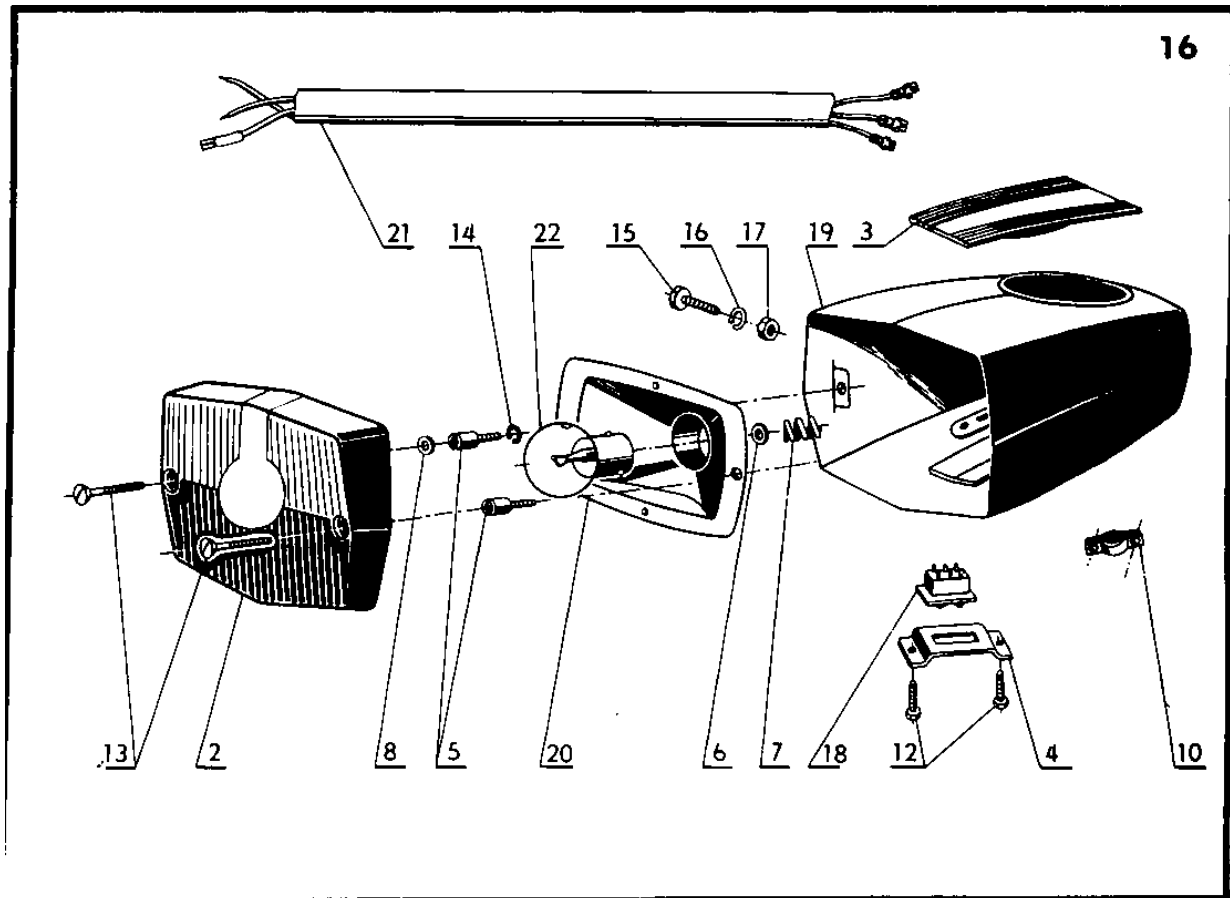
White cable
Indicates
Tranzimo

15A. ALTERNATOR FOR THYRISTOR

1	2	3	4	5
-	207-61-140	Alternator complete	1	602-908012
1	443 990 203 025 /28-6002/	Rotor	1	602-908130
2	207-61-141	Stator complete	1	602-908122
3	443 990 133 039 /207 61 003	Stator carrier	1	602-809101
4	228-61-050	Ignition pole	1	602-908357
5	309 231 204 014	Screw M4 x l4 CSN 02 1131.24	2	974-184014
6	228-61-153	Horn coil	1	602-908351
7	207-61-142	Lighting coil I	1	602-908354
	207-61-143	Lighting coil II	1	
8	309 231 204 030	Screw M4 x 30 CSN 02 1131.24	6	974-364030
9	311 214 420 041	Washer 4,1 CSN 02 1740	10	992-740484
10	309 203 205 025	Screw M5 x 25 CSN 02 1103.24	1	971-265025
11	311 214 020 051	Washer 5,1 CSK 02 1740	1	992-740485
12	309 210 120 053	Washer 5,3 CSN 02 1702	1	992-701485
13	309 231 204 022	Screw M4 x 22 CSN 02 1131.24	2	974-364022
14	451 9 207 60 152	Alternator wiring	1	602-030504
15	273 121 120 030 /150-49-005/	Grommet	1	930-990520

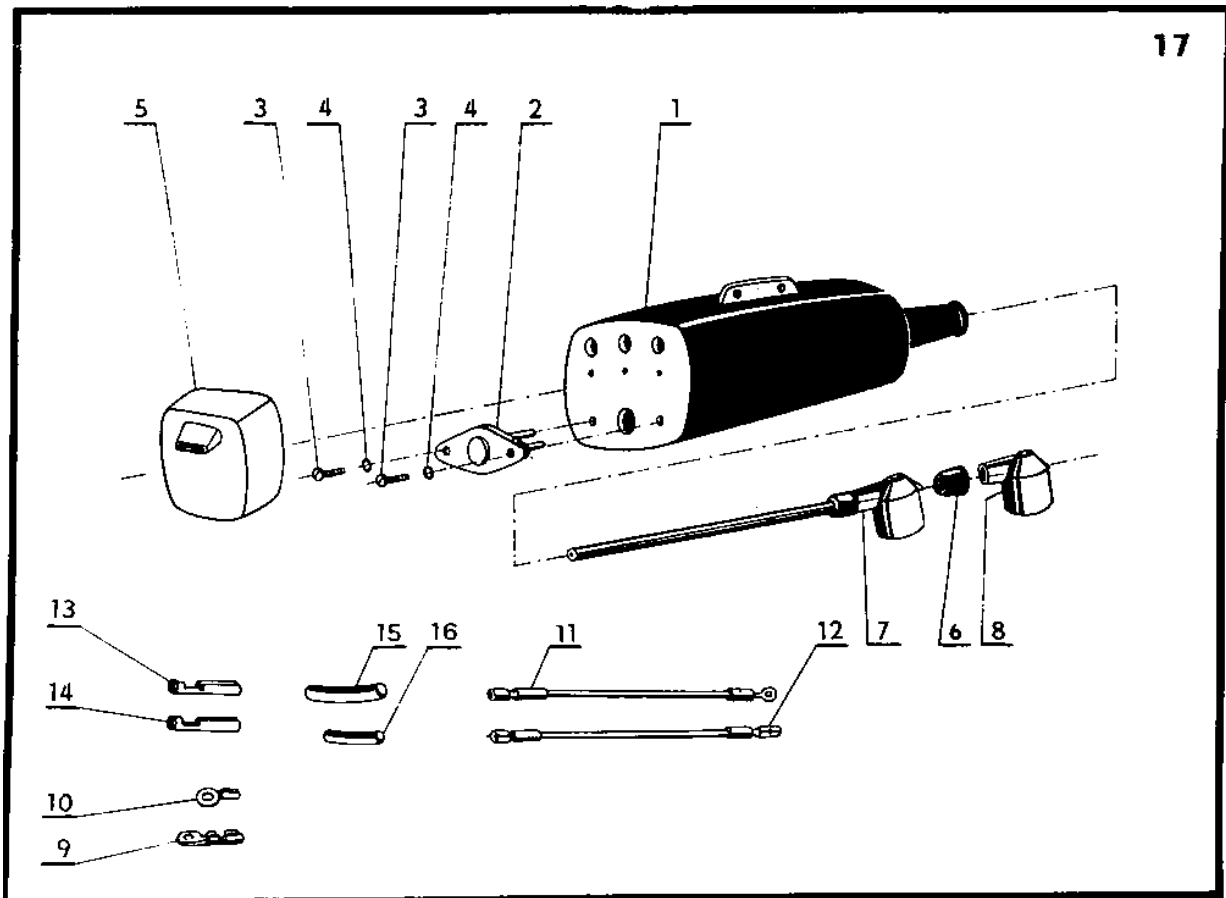
16. HEADLIGHT

1	2	3	4	Alternative No.
-	443 311 199 101	Headlight complete	1	
2	443 958 111 217	Cover	1	08-7682-09
3	443 950 711 316	Cover	1	08-7113-16
4	443 954 221 002	Adapter	1	08-5830-27
5	443 952 121 003	Screw with inner screw thread	2	08-0060-14
6	443 953 203 001	Insulating washer	1	08-7210-24
7	443 954 600 001	Compression spring	1	08-4500-02
8	443 952 001 003	Lock washer	2	08-1050-26
10	443 950 522 959	Clip	1	408-5229-59
12	443 950 287 674	Screw M3 x 6 CSN 02 1146.89	2	2876-74
13	443 950 021 009	Screw M4 x 14 CSN 02 1155	2	408-0210-09
14	311 214 420 041	Washer 4,1 CSN 02 1740.05	2	2882-30
15	443 950 287 678	Screw M6 x 16 CSN 02 1103.24	1	2876-78
16	443 950 288 238	Washer 6,1	1	2882-38
17	443 950 286 102	Nut M6	1	2861-02
18	345 355 201 630	Switch	1	4231-80
19	443 958 113 002	Bush	1	208-8031-04
20	443 958 111 218	Parabolic mirror	1	408-8070-61
21	443 958 118 005	Cable	1	N
22	228 60 129	Bulb 6V 15/15W	1	



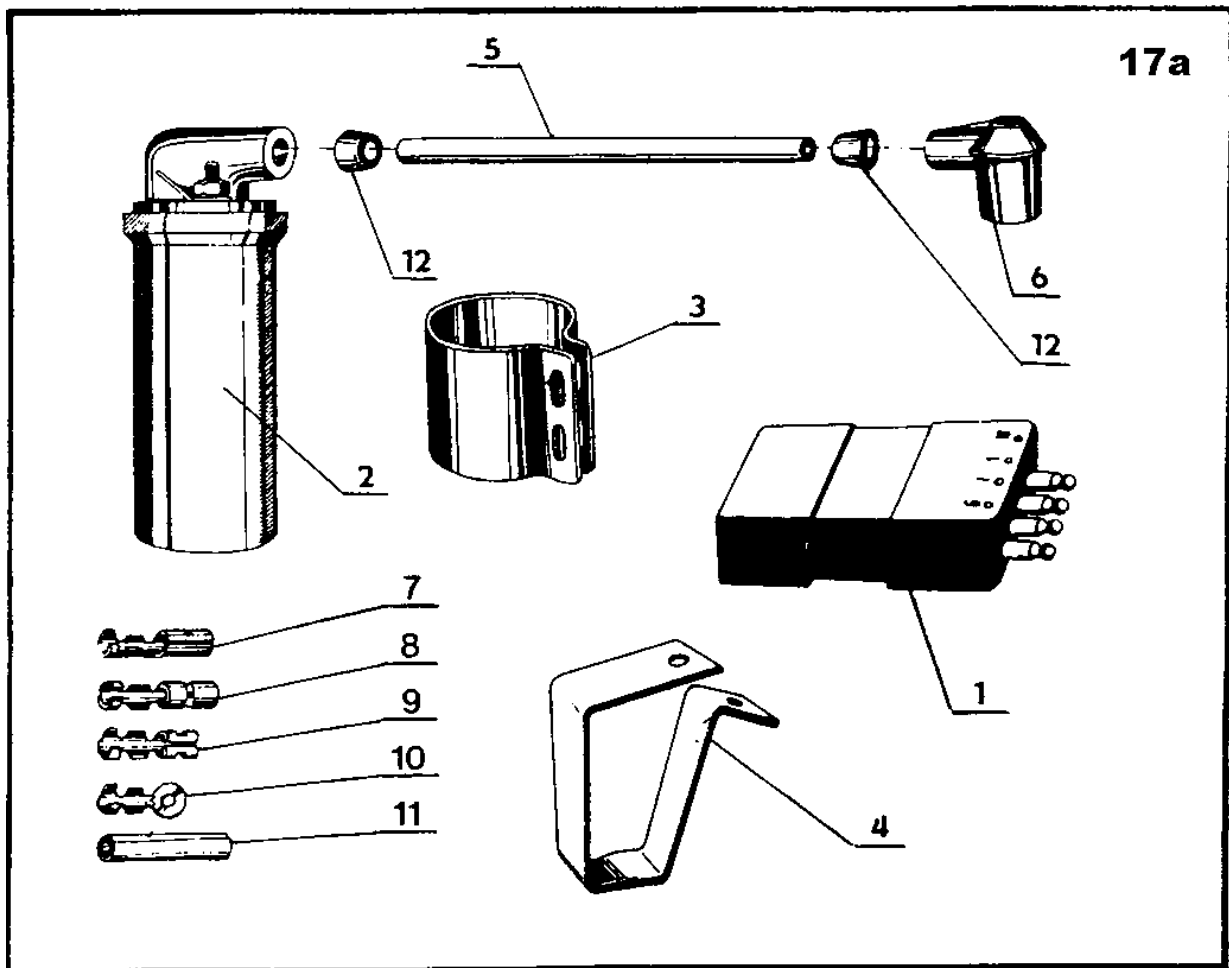
17. IGNITION

1	2	3	4	Alternative No.
1	443 213 220 800	Transimo	1	30-6500
2	372 221 301 175	Transistor KD-602	1	30-6514
3	309 231 203 006	Screw M3 x 6 CSN 02 1131.24	2	20220
4	311 214 020 031	Washer 3,1 CSN 02 1740.04	2	27406
5	321 811 703 050	Cover	1	30-6573
6	273 912 696 202	Protection cover	1	62038
7	451 9 228 60 034	Conductor of plug with terminal	1	28-6234
8	371 511 341 000	Cable terminal OKS-12	1	62039
9	443 993 200 006	Cable eyelet	2	
10	451 9 260 64 087	Cable eyelet	1	01.1787
11	451 9 228 60 006	Conductor no. 15 SYA 1 black	1	28-6206
12	451 9 228 60 023	Conductor no. 58 c SYA 0,5 yellow	1	28-6223
13	443 858 506 032	Flat tube A 409-8750-05	1	62011
14	443 858 000 012	Cylindrical tube A 409 8750-00	5	62012
15	451 9 228 60 015	Insulating tube	5	30-6214
16	451 9 228 60 027	Insulating tube	0,5m	28-6227



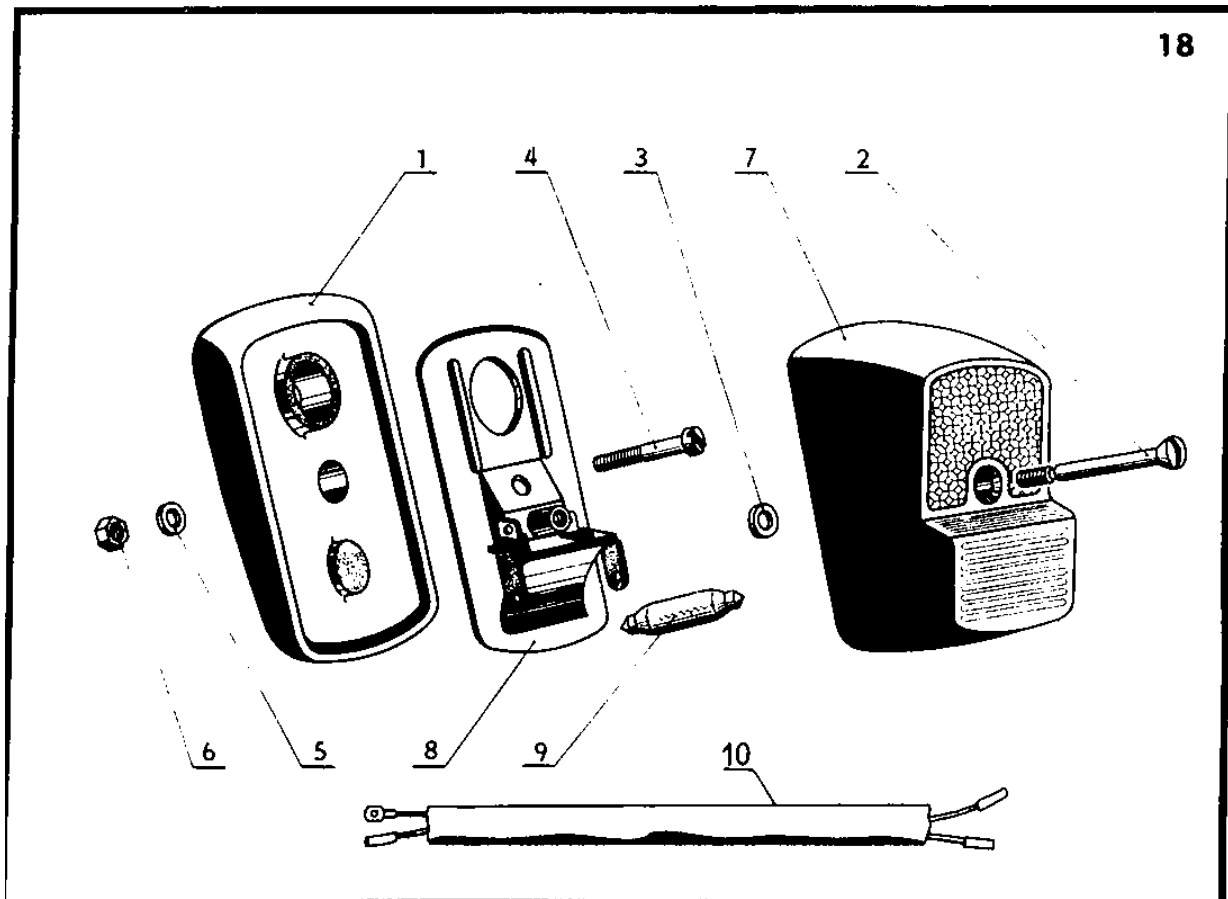
17A. THYRISTOR IGNITION

1	2	3	4	Alternative No.
1	443 213 220 810	<i>Thyristor</i>	1	207 66 002
2	443 212 210 800	Coil	1	
3	443 930 220 560	Bracket	1	
4	207 66 001	Bracket	1	
5	207 60 015	Plug lead	1	
6	371 511 341 000	Plug cap	1	
7	443 858 000 012	Cable end	6	
8	443 858 008 002	Cable end	2	
9	443 858 006 032	Cable end	3	
10	359 60 122	Cable end	1	
11	228 60 015	Cable end	6	
12	273 125 031 534	Grommet	1	



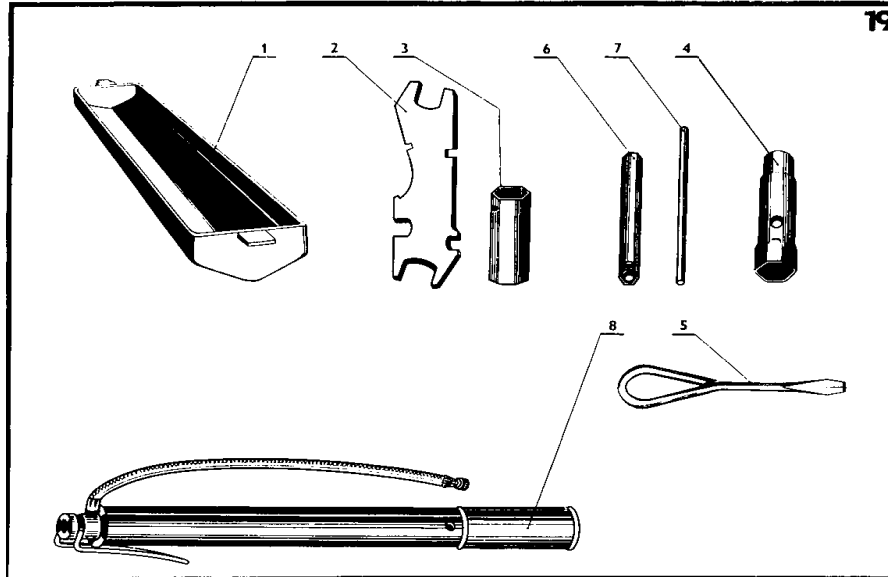
18. REAR LAMP

1	2	3	4	Alternative No.
-	443 312 303 101	Rear lamp complete	1	
1	273 117 039 484	Profile sealing	1	07-3358
2	443 950 021 010	Screw M4 x 30 CSN 1155.80	1	408-0210-10
3	443 952 001 001	Lock washer	1	08-1050-44
4	443 950 287 682	Screw M5 x 20 CSN 02 1131.81	1	2876-82
5	443 950 288 248	Washer 5,3 CSN 02 1702.04	1	2882-48
6	443 950 286 134	Nut M5 CSN 02 1401.20	1	2861-34
7	443 958 121 007	Cover glass	1	408-9000-24
8	443 958 123 004	Base body	1	308-8320-18
9	347 226 132 340	Bulb 6V / 5W, S 8,5	1	
10	451 9 207 60 003	Rear outfit	1	



19. TOOLS

1	2	3	4	Alternative No.
1	451 9 207 00 101	Bag	1	
2	451 9 228 75 002	Combination spanner	1	28-9003
3	451 9 200 75 012	Spanner for sparking plug	1	01-8002
4	451 9 220 75 009	Spanner 13 / 17	1	N
5	549 900 006 700	Screw driver	1	70045
6	451 9 555 71 024	Spanner 10 CSN 230651	1	N 45602
7	451 9 555 71 023	Handle 5 CSN 230659	1	N 45700
8	413 531 035 001	Tyre pump	1	70019
-	7004	Lock Type 1304		



20 SPEEDOMETER

1	2	3	4	5
1	4434-000-00	Speedometer Head	1	14-002
2	207-57-006	Drive	1	07-4780
3	207-57-003	Gear Box	1	
4	228-57-012	Spacing Washer	1	
5	555-40-010	Washer	1	

