

STADION S23

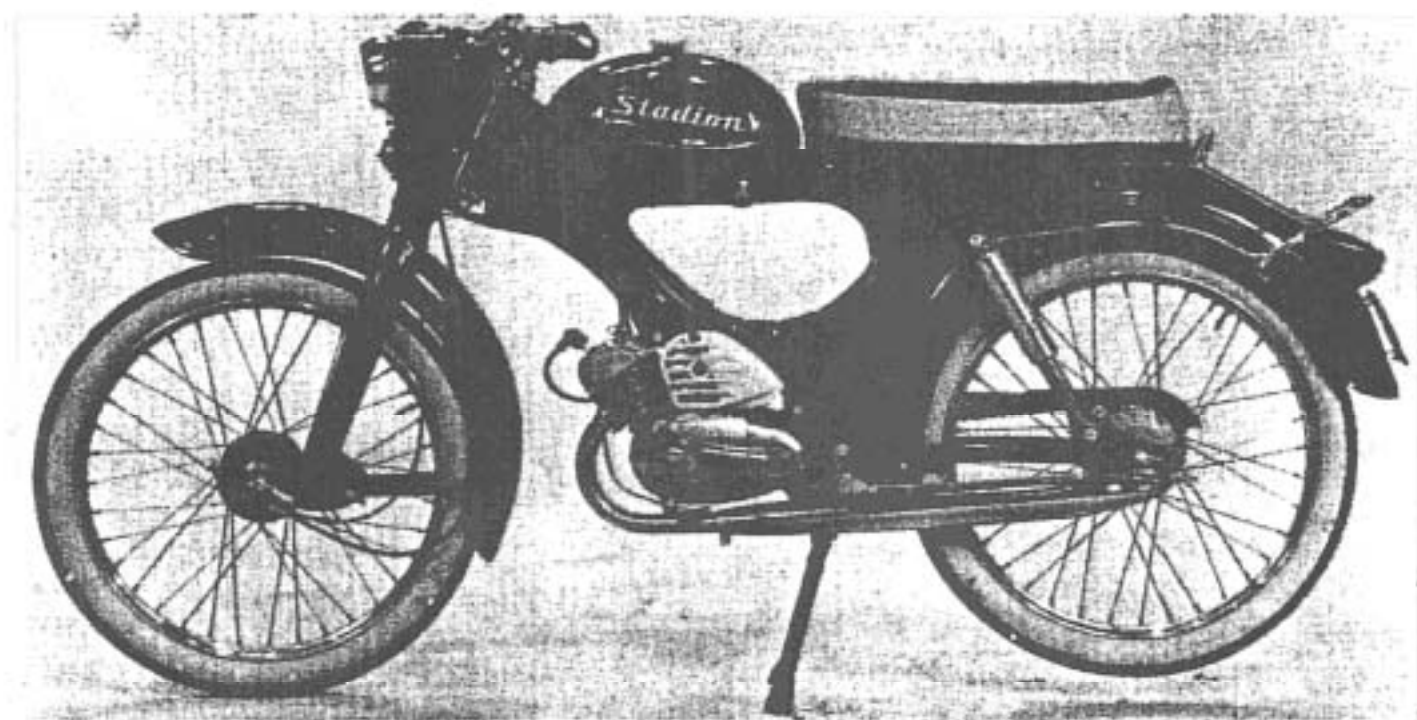
POWERED WITH



ENGINE

50 cc - type 552

PARTS CATALOG



SPIEGEL

STADION MOPED S 23

(made in Czechoslovakia)

PARTS LIST

SPIEGEL

CHICAGO, ILLINOIS 60609

P A R T S I N D E X

	PAGE
Crankcase	21-22
Crankshaft mechanism	22
Oversize parts of crankshaft mechanism	23
Cylinder barrel with cylinder head	23-24
Transmission	24-25
Gearshift mechanism	25
Clutch	25
Flywheel Magneto PAL	26
Carburetor JIKOV 2912 PS	26-27
Intake silencer to carburetor JIKOV 2912 PS	27
Headlamp KOH-I-NOOR	27
Exhaust pipe and silencer	28
Frame of the machine	28
Telescopic shock absorber	28-29
Front wheel fork	29-30
Front wheel mudguard	30
Rear wheel mudguard	31
Stand	31
Luggage carrier	31
Fuel tank	31-32
Fuel tank cover	32
Cable cover	32
Chain guard	32
Saddle	33
Tail light	33
Front and rear wheel	33
Rear wheel	34
Handle bars	34-35
Cable guides	35
Electrical equipment -- conduits	36
Tire pump	36
Tools	37

CRANKCASE

Item	Part Number	Spare Part	Pcs.
-	552-10-001	Engine complete (less crankshaft halves and exhaust pipe and silencer)	(1)
1	552-11-000	Crankcase complete including bearings, bushings and bolts	(1)
1a	552-11-110a/210a	R. h. side and l.h. side crankcase halves mated (with drills)	1
2			
3			
4	552-11-027	Bushing suspension	2
5			
6	551-11-010	L.h. side cover complete	1
7			
8	551-11-015	L.h. side cover	1
9a	551-11-029	R.h. side cover, casting	1
10	551-11-022	Stud	4
11	551-11-024	Cylinder barrel gasket	1
12	551-11-025	Gasket of l.h. side cover	1
13			
14a	551-10-002	Cover	1
15			
16	351-11-201	Plug M 14 x 1.5	1
17			
18	150-11-008	Washer	1
19	150-11-061	Sealing ring dia. 6 x 10 x 1	1
20			
21	6 19401 0003	Sealing ring 8/16x17 mm	1
22	6 11148 2100	Screw M 6 x 8 CSN standard 02 1148	1
23	6 11131 2085	Screw M 5 x 50 CSN standard 02 1135	1
24	6 11131 2083	Screw M 5 x 45 CSN standard 02 1131	5
25	6 93133 2083	Screw M 5 x 45 CSN standard 31 3133.1	4
26	6 93133 1076	Screw M 5 x 28 CSN standard 31 3133.1	2
27	6 93133 2075	Screw M 5 x 25 CSN standard 31 3133.1	5
29	6 11401 2006	Nut M 6 CSN standard 02 1401	4
30	6 11735 0064	Washer dia. 6.4	4
34	551-11-111	Bushing	1
35	551-11-112	Spacer	1
36	551-11-113	Bushing	1
37	551-11-114	Bushing	2
38	551-11-115	Sealing ring	1
39			
40	551-11-117	Lid	1
41			
42	551-22-047	Seal	1
43			
44	353-11-114	Seal	1
45			
46	359-11-213	Leading bushing	4
47			
48	6 04560 6202	Bearing 6202 z/c 36 CSN standard 02 4636	2
49	6 04570 6202	Bearing 6202/c 36 CSN standard 02 4636	1

CRANKCASE

Item	Part Number	Spare Part	Pcs.
50	6 00020 6201	Bearing 6201 CSN standard 02 4636	1
51	6 12931 0035	Safety ring 35 x 1.2 CSN standard 02 2931	3
52	6 12931 0032	Safety ring 32 x 1.2 CSN standard 02 2931	1
53	359-11-13	Sealing ring 35/17x7 mm	2
54	6 19401 0052	Sealing ring 32/22x7 mm	1
55			
56	6 11103 2169	Screw M 8 x 10 CSN standard 02 1103	1
57	6 11133 2069	Screw M 5 x 10 CSN standard 02 1133	1
58	6 11735 0053	Washer dia. 5.3	1
64	551-11-211	Bushing	1
65	551-11-212	Spring	2
66			
67	6 00010 6003	Bearing 6003 CSN standard 02 4633	1
68	6 12301 5368	Rivet 4 x 8 CSN standard 02 2301 30	2

CRANKSHAFT MECHANISM

Item	Part Number	Spare Part	Pcs.
		(for ϕ 10 mm WRIST PIN)	
1	551-12-100	Crankshaft mechanism complete	(1)
2			
3	551-12-105	Connecting rod complete	1
4	551-12-113	Crankshaft r.h. side half	1
5	551-12-114	Crankshaft l.h. side half	1
6	551-12-115	Crankshaft pin	1
7			
8*	550-12-005	Piston	1
9*	359-12-014	Piston ring	3
10	359-12-024	Wrist pin	1
11	359-12-034	Wire circlip	2
12	551-12-111	Bushing	1
14			
15	6 91385 1002	Spring 2 x 2.6	1
16	6 11401 1108	Nut M 8 x 1	2
17	6 11740 2082	Washer dia. 8.2	1
18	6 11735 0084	Washer dia. 8.4	1
		(for ϕ 14 mm WRIST PIN)	
1	551-12-101	Crankshaft mechanism complete	(1)
2	570-12-015	Piston	1
3	359-12-014	Piston ring	3
4	570-12-021	Wrist pin	1
5	570-12-022	Wire circlip	2
6	570-12-117	Bushing	1
7	CSN 02 1385	Spring 2 x 2.6	1

CRANKSHAFT MECHANISM

Item	Part Number	Spare Part	Pcs.
		(for \emptyset 14 mm WRIST PIN - continued)	
8	CSN 02 1401	Nut M 8 x 1	2
9	CSN 02 1740	Washer dia. 8.2	1
10	CSN 02 1735	Washer dia. 8.4	1
		(Oversize Parts of CRANKSHAFT MECHANISM)	
8a	550-12-006	Piston with ring pegs - 1st rebore	
8b	550-12-007	Piston with ring pegs - 2nd rebore	
8c	550-12-008	Piston with ring pegs - 3rd rebore	
8d	550-12-009	Piston with ring pegs - 4th rebore	
9a	359-12-015	Piston ring 38.25x2 - 1st rebore	
9b	359-12-016	Piston ring 38.5x2 - 2nd rebore	
9c	359-12-017	Piston ring 38.75x2 - 3rd rebore	
9d	359-12-018	Piston ring 39x2 - 4th rebore	

CYLINDER BARREL WITH CYLINDER HEAD

Item	Part Number	Spare Part	Pcs.
1			
2			
3	552-13-021	Cylinder head	1
4	552-11-027	Bushing suspension	1
5	552-13-030-A	Cylinder barrel with liner complete (1.5 HP)	1
5	552-13-080	Cylinder barrel with liner complete for 1.8 - 2.4 HP output engine	1
6*	n	Cylinder liner	-
7	552-13-033	Muffler core	1
8	552-13-034	Stud	2
9	552-13-035	Gasket	1
10			
11	551-13-015	Decompressor complete	(1)
12	551-13-016	Decompressor body	1
13	551-13-017	Decompressor valve	1
14	551-13-018	Decompressor spring	1
15	552-13-032	Intake insert	1
16	551-13-033	Stud	1
17	551-13-042	Cylinder head gasket	1
18			
19	359-13-013	Leading bushing	1
20			
21	6 12925 0004	Circlip	1
22	6 12929 0007	Ring 7	1
23	6 19312 2007	Sealing ring 10x14	1

CYLINDER BARREL WITH CYLINDER HEAD (cont'd)

Item	Part Number	Spare Part	Pcs.
24	6 94143 0225	Spark plug 14/225	1
25	6 94149 0014	Seal ring under spark plug	1
26	6 11401 2005	Nut M 5	2
27	6 11735 0035	Washer dia. 5.3	2
28	6 11740 2061	Washer dia. 6.1 (to item 16)	1
29	6 11401 2006 552-13-080	Nut M 6 (to item 16) Cylinder barrel with liner complete for 1.8 - 2.4 HP output engine	1

*Note:*Not delivered individually

TRANSMISSION

Item	Part Number	Spare Part	Pcs.
1			
2			
3	551-22-080	Main shaft complete	(1)
4	551-22-012	Bushing	1
5	551-22-060	Wheel complete	(1)
6	551-22-022	Bushing	2
7	551-22-025	Brake lever complete (for stop light)	(1)
7a	551-22-026	Brake lever complete (less stop light)	1
8	551-22-065	Layshaft	1
9	551-22-066	Clutch	1
10	551-22-064	2nd speed gear	1
11	551-22-034	Drive sprocket	1
12	551-22-035	Primary drive gear	1
13	551-22-036	Securing washer	1
14	551-22-037	Spindle of pedal with bushings	1
15	551-22-038	Bushing	1
16	551-22-039	Dog clutch	1
17	551-22-068	Starting gear	1
18	551-22-041	Thrust ring	1
19	551-22-042	Spring of the ring	1
20	551-22-043	Clutch spring	1
21	S 11-0105.003	R.h. side crank	1
22	S 11-0105.002	L.H. side crank	1
23	551-22-046	Sealing ring	1
24	551-22-47	Sealing ring	1
26	551-10-012	Thrust ring	2
27	551-22-071	Spacer tube	1
28	S 11-0105.004 359-22-038	Cotter pin of crank	2
29	551-22-048	Spacing washers (various thickness)	(x)
30	S 11-0106.100 P	R R. h. side pedal	1
31	S 11-0106.100 L	L L. h. side pedal	1
32	6 19280 0006	Sealing ring 14x10	1
33	6 93205 2116	Nut M 16x1.5	1
34	6 11403 2110	Nut M 10x1	1

TRANSMISSION (cont'd)

Item	Part Number	Spare Part	Pcs.
35	S 11-0105.101	Nut M 6	2
36	6 1153 1105	Securing washer dia. 10.5	1
37	S 11-0105.009	Washer dis. 6.4 CSN standard 02 1701.15	2
38	6 12930 0024	Safety ring 24x1.2	1

GEAR ENGAGING MECHANISM

Item	Part Number	Spare Part	Pcs.
1			
2			
3	551-24-011	Welded lever	1
4	551-24-040	Gear engaging fork complete	1
5			
6	551-24-032	Spring	1
7	551-24-033	Pin	1
8			
9	6 12929 0004	Ring	1
10	6 11733 2064	Washer dia. 6.4	1

CLUTCH COMPLETE

Item	Part Number	Spare Part	Pcs.
1			
2			
3	551-28-010	Outer driving drum	1
4	551-28-020	Inside driving carrier welded	1
5	551-28-030	Plate with pegs	1
6	551-28-040	Inside plate complete	2
7	551-28-050	Disc complete	1
8	551-28-061	Inside plate	1
9	551-28-062	Spring	1
10			
11			
12	6 12929 0004	Circlip 4	4
13			
14	551-10-011	Spacer (tube)	1
15	551-10-012	Thrust washer	2
16			
17	551-11-011	Lever complete	1
18	551-11-016	Cam	1
19	551-11-023	Slotted Yoke	1
20			
21	6 12929 0004	Ring 4	1
22	6 12929 0006	Ring 6	1

FLYWHEEL MAGNETO

Item	Part Number	Spare Part	Pcs.
-	551-61-000	Flywheel magneto	(1)
1	551-01-010	Rotor assembled	1
2	551-61-012	Base plate machined	1
2a	551-61-011	Base plate - assembly	1
2b	551-61-020	Pin of base plate (to item 2)	1
3	551-61-013	Ignition coil	1
4	551-61-014	Coil for lights	1
5	551-61-017	Felt brush	1
6	6 12301 5246	Rivet 2.6x5	1
7	551-61-021	Securing washer	1
8	6 11740 1041	Washer dia. 4.1	5
9	6 11134 2045	Screw M 4x22	4
10	6 11103 0026	Screw M 3x8	1
11	551-61-022	Washer Dia. 4	2
12	551-61-018	Contact holder	1
13	551-61-024	Insulating insertion	1
14	551-61-025	Condenser 0.27 uF	1
16	6 11133 2039	Screw M 4x8	1
17	6 11735 0043	Washer dia. 4.3	1
18	551-61-015	Contact breaker lever assembled	1
19	6 11134 2040	Screw M 4x10	1
22	6 11702 2043	Washer dia. 4.3	1
23	551-61-023	Washer dia. 4	1
24	6 11401 2003	Nut M 3	1
26*	S 11-0501.100	Connecting electric wire	1
28	551-46-066	Rubber grommet	1
29	551-10-021	Washer	2
30	6 11133 2042	Screw M 4x15	2

* Delivered with item 3

CARBURETOR JIVOV 2912 PS

Item	Part Number	Spare Part	Pcs.
1	2-6676	Carburetor JIKOV 2912 PS semi-downdraught	(1)
2	2-6588	Carburetor body complete	1
3	2-21111	Throttle valve	1
4	2-3157	Needle of throttle valve (II-III)	1
5	2-3308	Needle securing clip	1
6	2-4813-4	Throttle valve spring	1
7	2-21107	Cover of the throttle chamber	1
8	2-2516-4	Nut M 6	1
9	2-2438-4	Cable guide	1
10			
11	2-2449-4	Adjusting screw of the throttle valve	1
12	1-4901-4	Securing spring	1
13	2-3208-4	Main jet Th = 51	1
14	2-3156-4	Idling run jet Th = 38	1

CARBURETOR JIKOV 2912 PS (cont'd)

Item	Part Number	Spare Part	Pcs.
15			
16	2-6586	Float complete	1
17	2-6585	Lid of float chamber complete	1
18	2-4814-4	Spring	1
19	2-6587-4	Tickler pin complete	1
20	2-2435-4	Securing circlip	1
21	2-2453-4	Screw of lid	2

INTAKE SILENCER TO CARBURETOR JIKOV 2912 PS

Item	Part Number	Spare Part	Pcs.
1	2-6590/B	L.h. side intake silencer complete (PVC)	1
2	2-6591/B	R.h. side intake silencer complete (PVC)	1
3	2-2467-4	Screw M 5x25	1
4	2-2462-4	Screw M 5x12	3
5	2-2463-4	Screw M 5x45	1

NOTE: Intake silencer complete items 1 to 5, part No. 2-6681, 4-61-264.

HEADLAMP MARK KOH-I-NOOR

Item	Part Number	Spare Part	Pcs.
1	551-67-000	Headlamp complete Koh-i-noor 3 B 4 91002-00	(1)
2	551-67-010	Rim of headlamp complete Koh-i-noor 4 B 4 910204	1
3	6 94312 0615	Electric bulb 6 V 15 watts/15 watts CSN standard 30 4312	1
4	353 67 035	Socket of electric bulb	1
5	353 67 040	Lock complete (with screws)	1
6	6 11740.2061	Spring washer dia. 6.1	1
7	6 93134 1072	Screw M 5x18 CSN standard 31 3134	1
-	4 By -- 90540	Headlamp lens	x
	Electric bulb holder	
	Cover of socket	
	Headlamp reflector -- parabolical	

NOTE: Item 4 and 5 are delivered exclusively with the headlamp complete, Item No. 1.

EXHAUST PIPE AND SILENCER (MUFFLER)

Item	Part Number	Spare Part	Pcs.
1			
2	S 22-0109.100	Exhaust silencer complete (muffler)	1
3	S 22-0109.007	Exhaust silencer core complete (muffler)	1
4	S 12-0109.120	Tube complete	1
5	S 12-0109.005	Screw H 4x6	1
6	S 22-0109.200	Exhaust pipe complete (shorter)	1
7	S 11-0109.110	Exhaust pipe clamp	1
8	S 11-0109.111	Screw M 5x15	1
9	S 11-0302-105	Spring washer dia. 5.1	1
10	S 11-0302.004	Nut M 5	1
11	S 22-0109.003	Exhaust silencer holder	1
12	S 22-0601.103	Screw M 6x10 CSN 021103	1
13	S 11-0301.009A	Spring washer dia. 6.4	1
14	S 11-0401.212	Nut M 6	1
15	S 22-0109.009	Washer (rubber 622227)	1

FRAME

Item	Part Number	Spare Part	Pcs.
1	S 23-0201.00	Frame I	1
2	S 23-0201.700	Rear wheel fork complete	1
3	S 11-0301.202B	Bush of pivoted fork dia. 15.8/24.7	2
3a	S 23-0201.019	Spacing bush, dia. 14/2x115	1
4	S 23-0201.018	Bolt of rear wheel fork (OK 17x150)	1
5	S 11-0401.007	Spring washer dia. 10.2 CSN standard 02 1740.02	1
6	S 11-0401.008	Nut M 10	1
7	S 11-0105.005	Screw M 8x50 CSN standard 02 1101	2
8	S 11-0105.007	Spring washer dia. 8.2 CSN standard 021740.05	3
9	S 11-0105.006	Nut M 8 CSN standard 02 1401	3
10	S 22-0105.001	Cylinder head screw M 8x55	1
11	S 22-0301.019 (551-41-018)	Buffer (grey rubber) No. 3126	4
12	S 22-0201.031	Stiffener of saddle complete	1
13	AS 22-0201.007 (359-41-034)	Cup	2

TELESCOPIC SHOCK ABSORBER

Item	Part Number	Spare Part	Pcs.
1	303-9646.00	Telescopic shock absorber	(2)
2	S 22-0201.043	Screw M 10x39	4
3	S 11-0401.007	Spring washer dia. 10.2 CSN standard 02 1740.02	2

TELESCOPIC SHOCK ABSORBER (cont'd)

Item	Part Number	Spare Part	Pcs
4	S 11-0401.008	Nut M 10 OK 17x8	2
5			
6	403-6905.10	Bottom hinge	2
7*	403-6404.49	Guide tube - complete (piston)	2
8	403-0900.72	Polyamid washer dia. 14/7x2	4
9**	403-8039.01	Guide complete	2
10	403-7711.26	Rubber buffer ZZN 3116	2
11	403-6905.11	Top hinge	2
12	CSN 02 1181	Adjusting screw M 5x6	2
13	CSN 02 2170	Peg. dia. 3x22	2
14	403-6830.02	Bottom cover	2
15	403-4500.62	Spring dia. 5.3x161 = 2/I	2
16	403-5611.08	Top cover	2
17	403-4510.20	Circlip	4
18	403-7711.27	Rubber insert ZZN 3116	4
19	403-6400.30	Spacing tube dia. 13/1.5x22	4

NOTE: * The piston of the telescopic shock absorber comprises the guide tube part No. 403-6404.49, plug part No. 403-6002.75, peg dia. 3x10 part No. CSN standard 02 2170.

** Comprises the following parts: guide proper part No. 403-6909.18 and three bushings, part No. 403-6700.10, which are pressed into the guide.

FRONT WHEEL FORK

Item	Part Number	Spare Part	Pcs
1	S 22-0301.600 (551-41-300)	Welded fork	1
2	S 22-0301.500 (551-41-010)	Headlamp housing complete	1
3	S 22-0301.017 (551-41-016)	Grommet r.h. side - rubber	1
4	S 22-0301.018 (551-41-017)	Grommet l.h. side - rubber	1
5	S 22-0301.019 (551-41-018)	Steering bumper	2
6	6 11148-2069	Screw M 5x10 CSN standard 02 1148	2
7	6 11735 0084	Spring washer dia. 8.4 CSN standard 425352.41	2
8			
9			
10	S 23-0301.018/A	L.h. side rocker arm	1
11	S 23-0301.017/A	R.h. side rocker arm	1
12	S 11-0301.202 B	Bushing of rocker arm	2
13	S 11-0302.208 B	Pin of rocker arm	2
14	S 11-0301.209 B	Felt ring 21x26x2	4

FRONT WHEEL FORK (cont'd)

Item	Part Number	Spare Part	Pcs.
15	S 11-0301.203 B	Screw M 8x40 CSN standard 02 1101	2
16	S 11-015 007	Spring washer dia. 8.2 CSN standard 02 1740	3
17	6 11401 2008	Nut M 8 CSN standard 02 1401	3
18	S 11-0301.205 B	Screw M 8x15 CSN standard 02 1103	2
19	S 11-0301.204 B (90.410)	Lubricating nipple M 5x0.8	2
20	S 11-0301.206 B	End piece - top - complete	2
21	S 22-0301.039	Rubber insert	1
22	S 11-0301.211 B	Spring	2
23	S 11-0301.009 A	Spring washer dia. 6.1 CSN standard 02 1740	2
24	S 11-0401.212	Nut M 6 CSN standard 02 1401	2
25			
26	S 22-0301.200 (551-40-010)	Tube complete	1
27	S 22-0301.013 (551-40-021)	Bolt	1
28	(6-01210 0009)	Ball dia. 5	42
29	(359-41-034)	Cup	2
30	S 22-0301.014 (551-40-022)	Lid	1
31	S 22-0301.015 (551-40-023)	Washers as required	x
32	S 22-0301.027 (151-41-007)	Nut	2
33			
34			
35	S 22-0604.001/A	Buzzer PAL 6 V, 2.5 Amps.	1
36	S 22-0604.002/A (551-60-064)	Rubber pad	
37	S 22-0301.032 (551-44-014)	Metal insert	1
38	S 22-0604.003/A	Screw M 3x15 CSN standard 02 1146	3
39			
40	S 11-0303.600/C	Speedometer complete (RMOP 60-02-1.0)	1
41	N	Stirrup	(1)
42	6 11403-2110	Nut M 10x1 CSN standard 02 1403	(1)
-	S 22-0301.041/A	Rubber pad --- speedometer	
45	551-63-000	Switch box	

FRONT WHEEL MUDGUARD

Item	Part Number	Spare Part	Pcs.
1	(551-43-002)		
	S 22-0302.000	Front mudguard complete	1
2	6 11103 1103		
	S 11-0109.001	Screw with hexagonal head M 6x10	2
3	6 11735 0064	Bend washer dia. 6.4	2
4	6 11401-1006	Nut M 6 CSN standard 01 1401	2
5	S 22-0302-006	Brake operating cable grommet	1

REAR WHEEL MUDGUARD

Item	Part Number	Spare Part	Pcs.
1	S 22-0202.000	Rear wheel mudguard	1
2	S 22-0202.003	Mudguard stiffening insert	1
3		Screw M 5x12 CSN standard 02 1134	6
4	S 11-0401.206	Washer dia. ϕ 5.2x18x0.8 CSN 425340.20	6
5	S 11-0302.105	Spring washer dia. 5.1	6
6	S 11-0302.004	Nut M 5	6
7	6 11103 1068	Screw M 5x8 CSN standard 02 1103	3
8	S 11-0302.105	Spring washer dia. 5.1	3
9	S 22-0202.006	Washer dia. 5.1x1	3
10	S 11-0302.004	Nut M 5	3
11	S 11-0501.201	Cable grommet (rubber)	1

STAND OF THE MACHINE

Item	Part Number	Spare Part	Pcs.
1	S 22-0205.000 A	Stand complete	(1)
2	S 22-0205.100 A	Stand	1
3	S 22-0205.105 A	Spring of the stand	1
4	S 22-0205.103	Pin of the stand dia. 12x62	1
5	S 11-0205.005 A	Washer dia. 13	1
6	S 11-0205.004 A	Split pin dia. 3x18	1
7			

LUGGAGE CARRIER

Item	Part Number	Spare Part	Pcs.
1	S 23 0601.000	Luggage Carrier, complete	1
2		Fillister head screw, 7/8" long	2
3		Hex head screw, 3/8"	2
4	S 11-0401.211	Spring washer, dia. CSN std. 021701.15	4
5	S 11-0401.212	Nut M 6 CSN standard 02 1401	4
6		Spacer	2

FUEL TANK

Item	Part Number	Spare Part	Pcs.
1	S 23 0204.024 A	Fuel Tank, complete	1
2	S 23 0204.006	Fuel Tank Stirrup	2
5	2-52-09	Sealing ring of fuel tap, dia. 19/14x1 mm	1
6	2-66-45	Two-way fuel tap, horizontal, 14-K-12 mm	1
7	S 11-0204.010	Hose, dia. 9/6x140 mm	1
9	S 22-0204.009	Fuel Tank Filler Cap (polyamid material)	1

FUEL TANK (Cont.)

Item	Part Number	Spare Part	Pcs.
10	S 11-0401.211	Spring Washer, dia. 6.4	2
11	S 11-0401.212	Nut M 6	2
12		Rubber Pad	2
13		Tank Pad	1

FUEL TANK COVER

Item	Part Number	Spare Part	Pcs.
1	S 23 0204.026/A	L.H. side cover	1
2	S 23 0204.024/A	R.H. side cover	1
3		Screw M 6 x 22 CSN standard 02 1134	4
4		Spring washer	2
5		Nut	2
6		Flat Head Screw	2
7		Tubular Spacer	2
8		Rubber Edge Gasket (2")	1
9		Rubber Edge Gasket (6")	1
10		Rubber Edge Gasket (9")	1

CABLE COVER

Item	Part Number	Spare Part	Pcs.
1	S 23 0204.021/A	L.H. Cable Cover	1
2	S 23 0204.025/A	R.H. Cable Cover	1
3		Hex.Hd. Screw, 5/16x2-3/16,(w/Hex. Nut and Washer)	1
4		Fl.Hd. Screw, 3/16x1", (w/Hex. Nuts, Washers and Spacer)	2
5		Fl.Hd. Screw, 3/16x1-3/4", (w/Hex.Nut, 2 Spacers and 1 washer)	1
6		Slot Hd. Screw, 1/4x1", (w/Hex. Nut & Washer)	

CHAIN GUARD

Item	Part Number	Spare Part	Pcs.
1	S 22-0605	Chain cover complete	1

SADDLE

Item	Part Number	Spare Part	Pcs.
1	S 23 0203.000	Saddle	1
2	S 23 0200.030	Saddle screw	1

TAIL LIGHT

Item	Part Number	Spare Part	Pcs.
1	S 23 0504.000	Rear lamp complete	1
1a	353 68 120	Rear lamp cover	1
2	CSN 304319	Bulb 12V/5W	1
3	S 23 0504.006	Rear lamp holder	1
4	S 23 0501.001	Grommet	1
5	551 68 075	Rubber plate	1
6		Screw M 5x18	2
7		Nut M 5	2
8	M4-4935368105	Screw	1

FRONT & REAR WHEEL - (Fig. 10)

Item	Part Number	Spare Part	Pcs.
1	S 23 0401.000	Front Wheel complete	1
2	S 23 0402.000	Rear Wheel complete	1
3	S 23 0401.008	Spoke	36
4	S 23 0401.009	Steel Rim	1
5	555 51 201	Front Brake Cover complete	1
6	CSN 6 976532030	Spoke Nipple	36

FRONT & REAR WHEEL - (Fig. 11)

Item	Part Number	Spare Part	Pcs.
1	S 23 0401.01	Front Wheel Spindle	1
4	555 51 115A	Hub with insert for front and rear wheel	1
5	555 51 200	Rear Brake Cover complete	1
6	S 23 0401.007	Nut M 12x1.5	1
7	S 23 0401.006	Spring Washer ϕ 12.2	1

REAR WHEEL - (Fig. 12)

Item	Part Number	Spare Part	Pcs.
1	S23 0402.100	Rear Chain Sprocket complete	1
2	555 56 400/B	Speedometer gearbox complete	1
3	555 56 302/A	Nut M 20x1.5	1
4	S 23 0301.020	Speedometer Drive Cable	1
5	S 23 0402.007	Bushing	1
6		Chain (incl. connecting links) 108 links	1
7		Chain connecting links	

REAR WHEEL - (Fig. 13)

Item	Part Number	Spare Part	Pcs.
1	S 23 0402.001	Rear Wheel Spindle	1
2	555 51 115/A	Hub with insert	1
3	CSN 02 4636201	Ball Bearing 6201	2
4	S 23 0402.015	Brake Reaction Buffer	1
5	S 23 0402.500	L.H. Chain Adjuster	1
6	S 23 0402.400	R.H. Chain Adjuster	1
7	S 23 0304.000	Rear Brake Cable complete	1
8	555 51 200	Rear Brake Cover	1
9	555 51 210	Brake Shoe complete	1
10	555 51 212	Brake Linings	2
11	555 51 220	Brake Key	1
12	6 129290007	Securing Washer	1
13	359 51 235	Spring	2
14	6 123305288	Rivet	6
15	S 23 0401.006	Spring Washer ϕ 12.2	1
16	S 23 0401.007	Nut M 12x1.5	1

Items 2,3,9,10,11,12,13 and 14 are identical for front and rear wheel.

HANDLE BARS

Item	Part Number	Spare Part	Pcs.
1	551 46 310	Handle Bar with bracket	1
3	S 11-0303.213	Screw M 6x6	2
4	S 11-0303.305	L.H. side lever with pawl	1
5	S 11-0303.402	Decompressor lever	1
6	S 11-0303.403	Insert	1
7	S 11-0303.404	Spacer of lever	1
8	S 11-0303.217	Plug	2
9	S 11-0303.218	Screw M 5x10	2
10	S 11-0303.301	L.H. Side Grip, complete	1
11	S 11-0303.405	Screw M 3x18	1
12	S 11-0303.401	Holder	1
13	S 11-0303.406	Nut M 3	1

HANDLE BARS

Item	Part Number	Spare Part	Pcs.
14	S 11-0303.109	Handle Bar Spindle Conical Plug	1
15	S 11-0303.107	Handle Bar Spindle	1
16	S 11-0303.108	Washer	1
19	S 11-0303.210	Screw M 6	2
20	S 11-0303.206	Ring complete	1
21	S 11-0303.214	Catch (one in gear engagement)	2
22	S 11-0303.201	Grip made of plastic material (PVC)	(2)
23	S 11-0303.205	R.H. Side Grip	1
24	S 11-0303.501	Lever R.H. Side	1
25	S 11-0303.311	Screw M 5x15	2
26	S 11-0303.403	Spacer of Lever	2
27	S 11-0303.308	Lever Bushing	2
28	S 11-0303.312	Washer Dia. 5.3	2
29	S 11-0302.004	Nut M 5	2
30	S 11-0303.320	Ring, complete	1
35	S 11-0303.309	Pawl	(1)
36	353 65 101	Dip Switch	1

CABLE GUIDES

Item	Part Number	Spare Part	Pcs.
1	S 11-0304.100	Cable Guide of front brake, complete -- Dia. 2.1145 mm long	(1)
2	S 11-0304.109	Thrust Cup -- Dia. 10x1x15	1
3	S 11-0304.110 (551-46-048)	Nut M 6 - 20x15	1
4	S 11-0303.213	Screw M 6x6	1
5	S 11-0304.207	End Piece - dia. 8 (one for item 8)	2
6	S 22-0304.100	Cable Guide of clutch, complete, dia. 2.1165, L.	(1)
7	S 11-0303.213	Screw M 6x6	1
8	S 11-0304.300	Cable Guide, complete for gear engaging mechanism, dia. 1.6, 1035 long	(1)
8a	S-11-0304.111	Adjusting Screw	1
8b	S 11-0304.112	Nut	1
8c	S 11-0304.306	Spacing Tube	1
9	S 11-0303.213	Screw M 6x6	1
10	S 11-0304.207	End Piece, dia. 8	1
11	S 11-0304.400	Decompressor Cable Guide, complete, dia. 1.6 720 long	(1)
12	S 11-0304.500	Throttle Valve operating cable guide, complete dia. 1.6, 912, long	1

ELECTRICAL EQUIPMENT - CONDUITS

Item	Part Number	Spare Part	Pcs.
(1)	S 22-0501.400 A	Cable Engine-buzzer, complete	(1)
2	S 22-0501.007/A	Conduit HXL (yellow) dia. 0.5 mm x 23-5/8"	1
3	S 22-0501.005	Protecting tube of PVC (plastic material) dia. 3x0.75 mm x 10"	1
4*	S 11-0501.101	Conduit End Piece (eyelet)	7*
5*	S 11-0501.102	Protecting (insulating) tube PVC, dia. 4.5x75 mm x 3/4" (blue)	7*
(7)	S 22-0501.300/A	Electric Wire for lights, complete	(1)
8	S 22-0501.002	Electric Wire from dip switch to headlamp. dia. 2x.5 mm x 16-1/2" (white)	1
9	S 22-0501.006/A	Electric Wire from buzzer to switch 2x.5 mm x 16-1/2" (black)	1
10	S 22-0501.004	Protecting tube made of plastic material(PVC) dia. 6x.75 mm x 11" (blue)	1
(14)	S 22-0501.200	Rear Lamp Electric Wire, complete	(1)
15	S 22-0501.003	Rear Lamp Electric Wire with eyelet 2x.5 mm x 70-7/8" (black)	1
16	S 11-0501.003	Protecting tube made of plastic material (PVC) dia. 3x.75 mm x 11-7/8" (light gray)	1
20**	151-63-195	Interference Suppressing End Piece of Spark Plug	1

* The numbers 4 & 5 indicate no. of pieces of all the electric wires (items Nos. 1, 7 & 14).

** When the PAL 14-7 RZ spark plug is utilized, Part No. 353-13-010 (with built-in suppressor of interference) instead of the non-suppressed electric wire end piece No. 355-66-062.

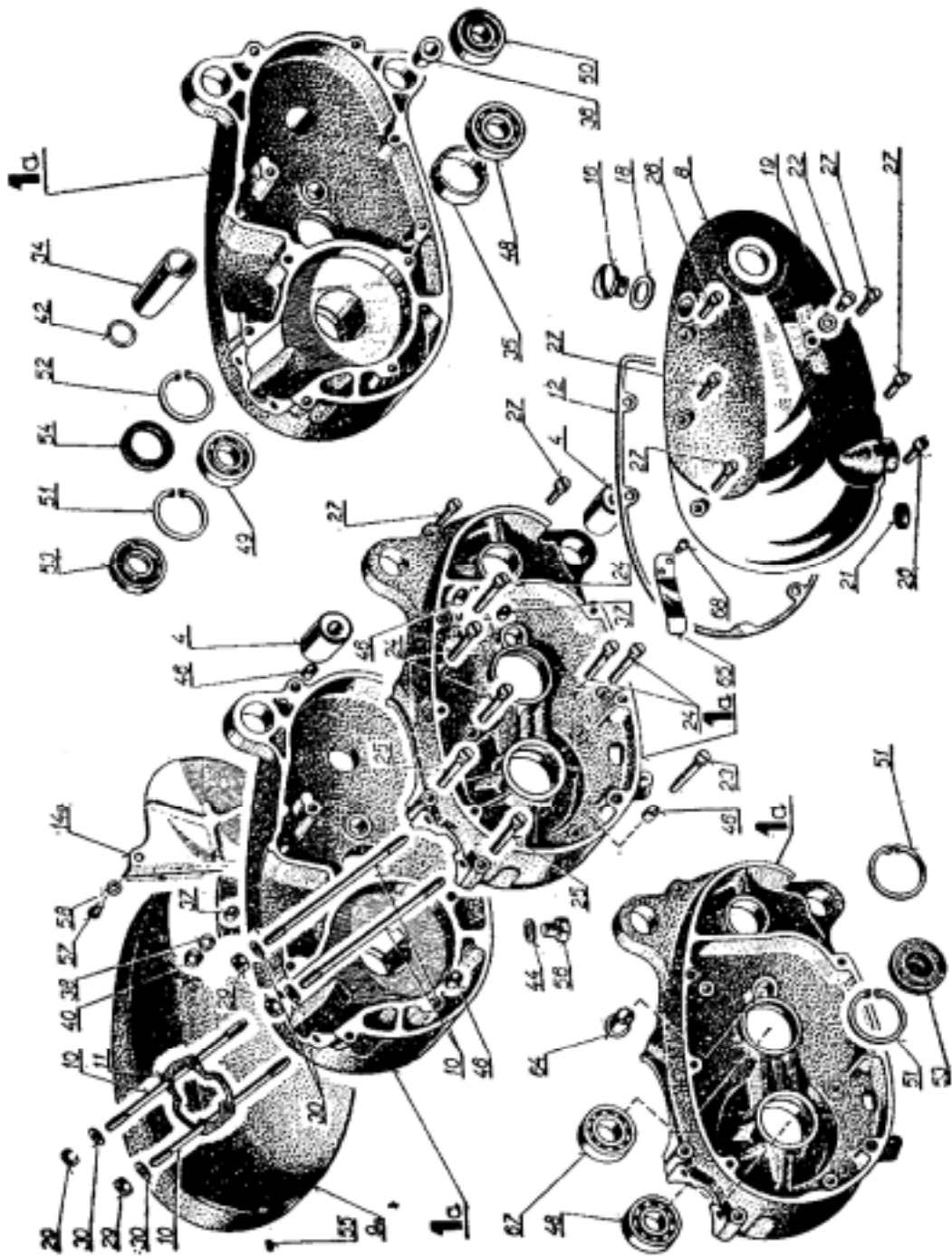
TIRE PUMP

Item	Part Number	Spare Part	Pcs.
1	S 11-0603.000	Tire Pump, complete	1
2	353-71-102	Connecting Hose, complete	1

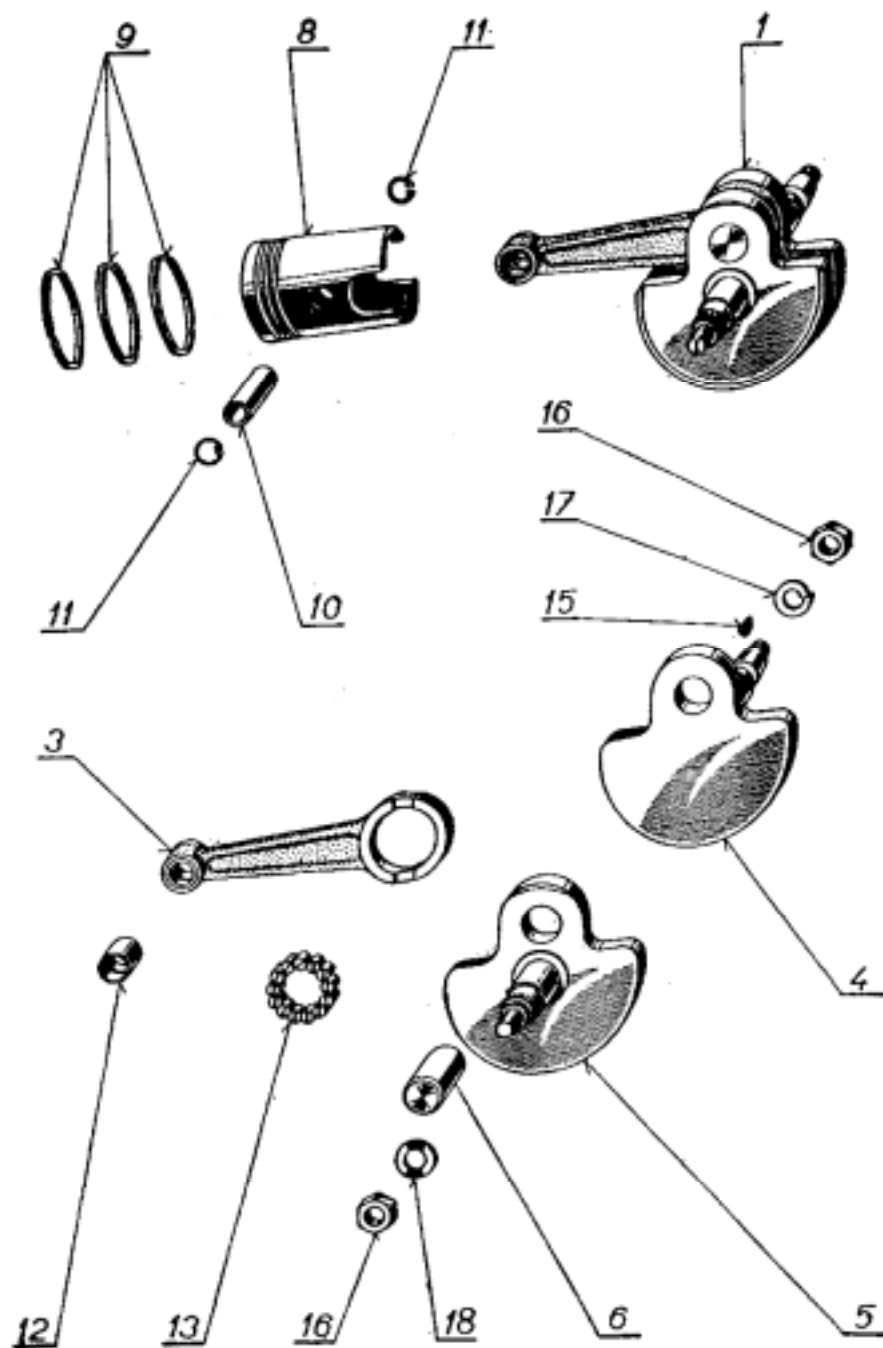
NOTE: To convert mm (millimeters) to inches, multiply by .04 (correction factor).

TOOLS

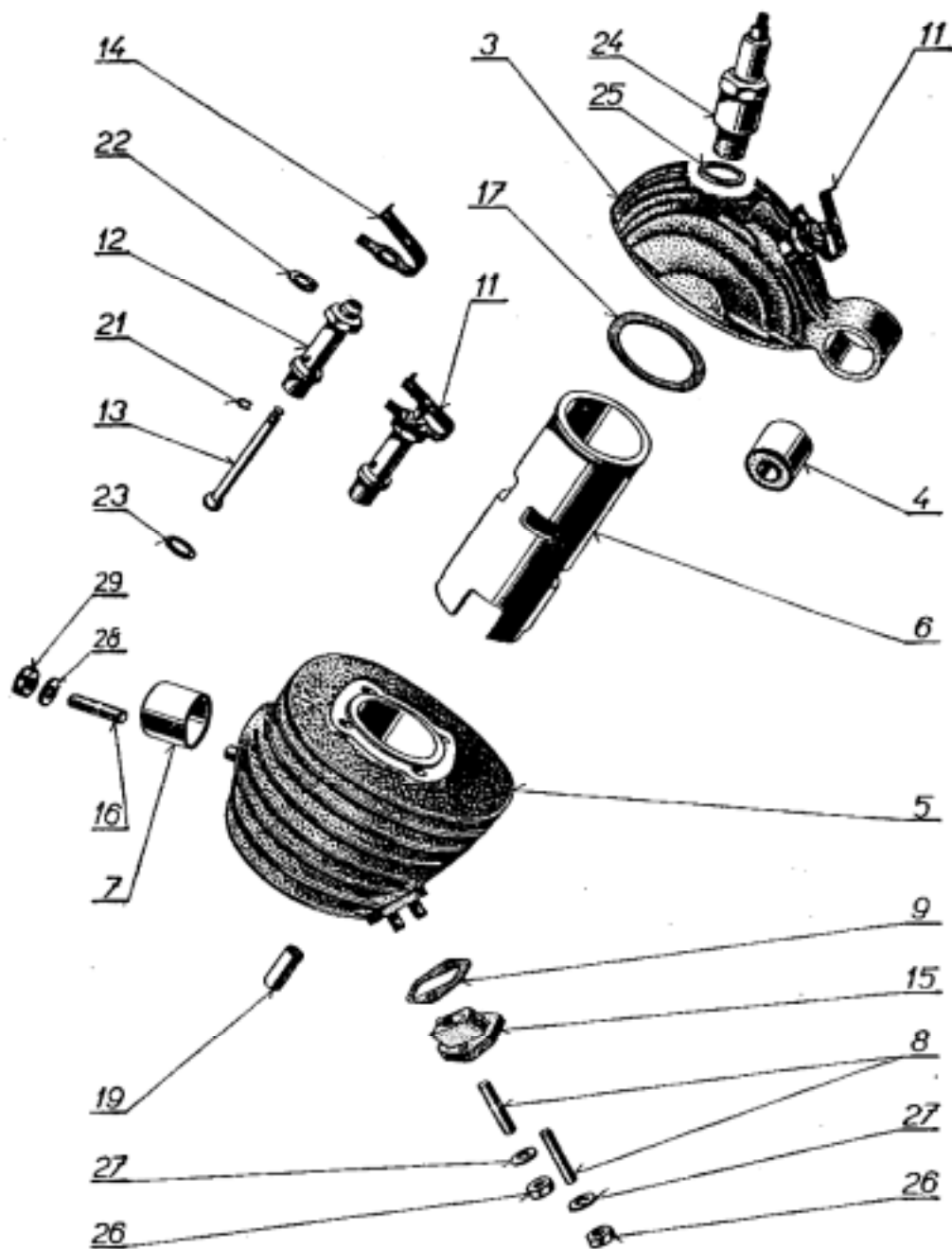
Item	Part Number	Spare Part	Pcs.
-	S 11-0602.000/A	Set of Tools including tool kit	(1)
1	S 11-0602.003	Tire Lever	1
2	S 11-0602.005/A	Pressed Spanner, double-ended, 14/17	1
3	S 11-0602.002	Socket Spanner 21/22	1
4	S 11-0602.010	Socket Spanner 10/55	1
5	S 11-0602.008	Screwdriver	1
6	S 11-0602.009	Multi-hole Combination Spanner with feeler gauge	1
7	S 11-0602.001/A	Tool kit	1



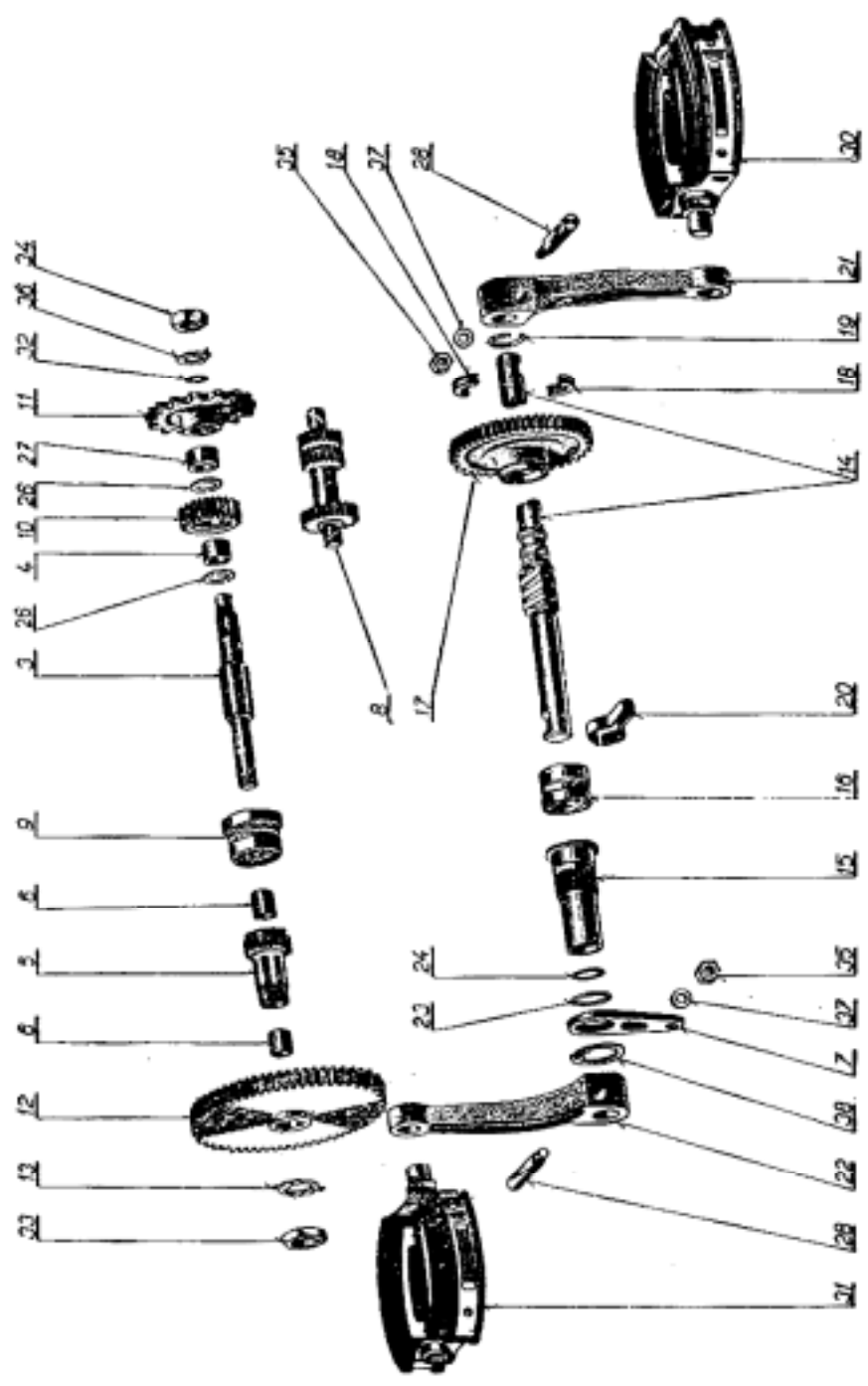
CRANKCASE



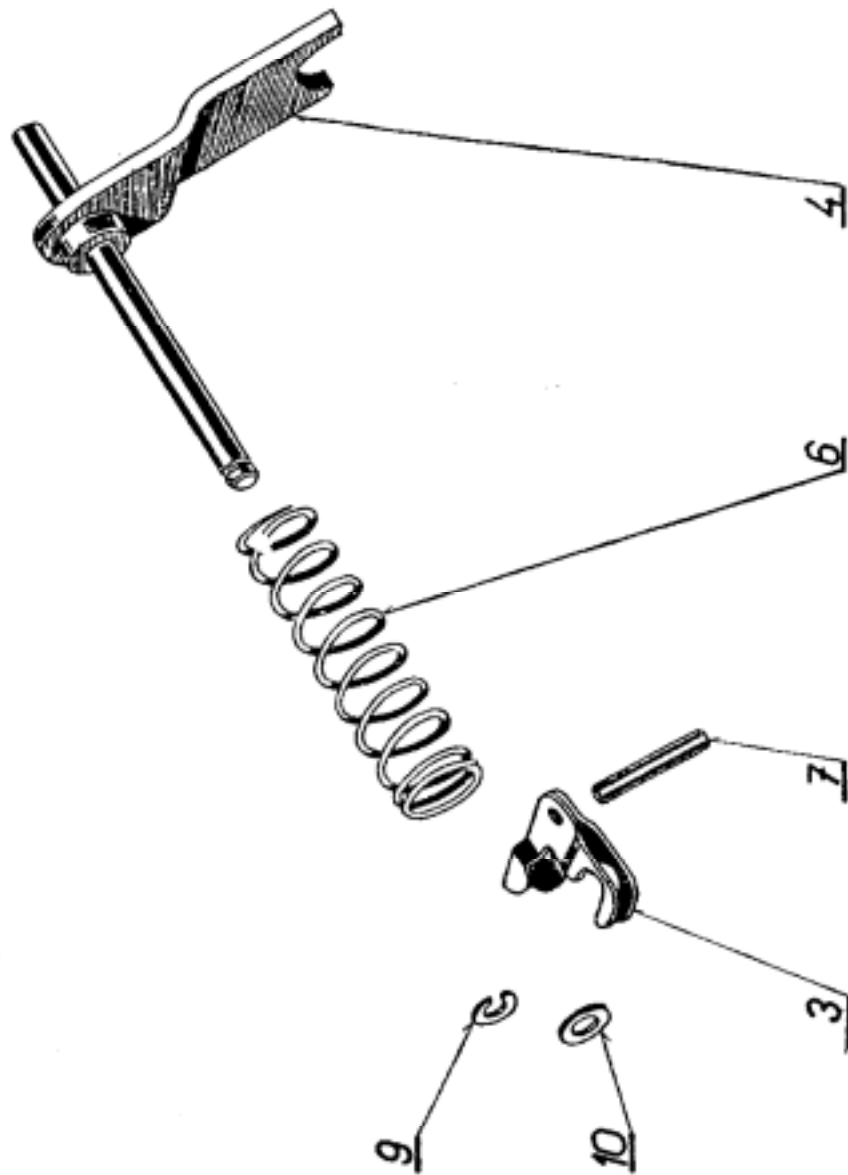
CRANKSHAFT MECHANISM



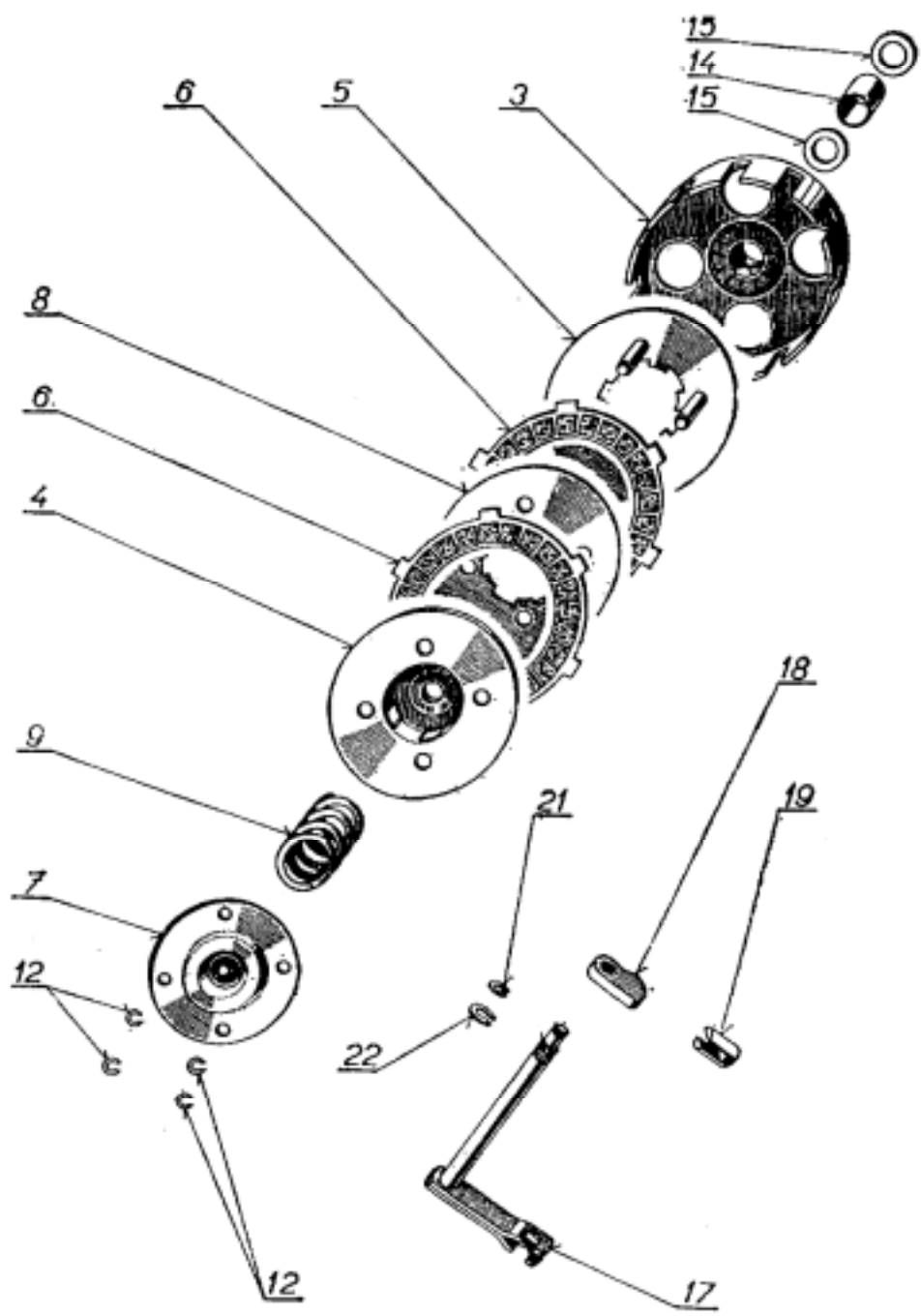
**CYLINDER BARREL
WITH
CYLINDER HEAD**



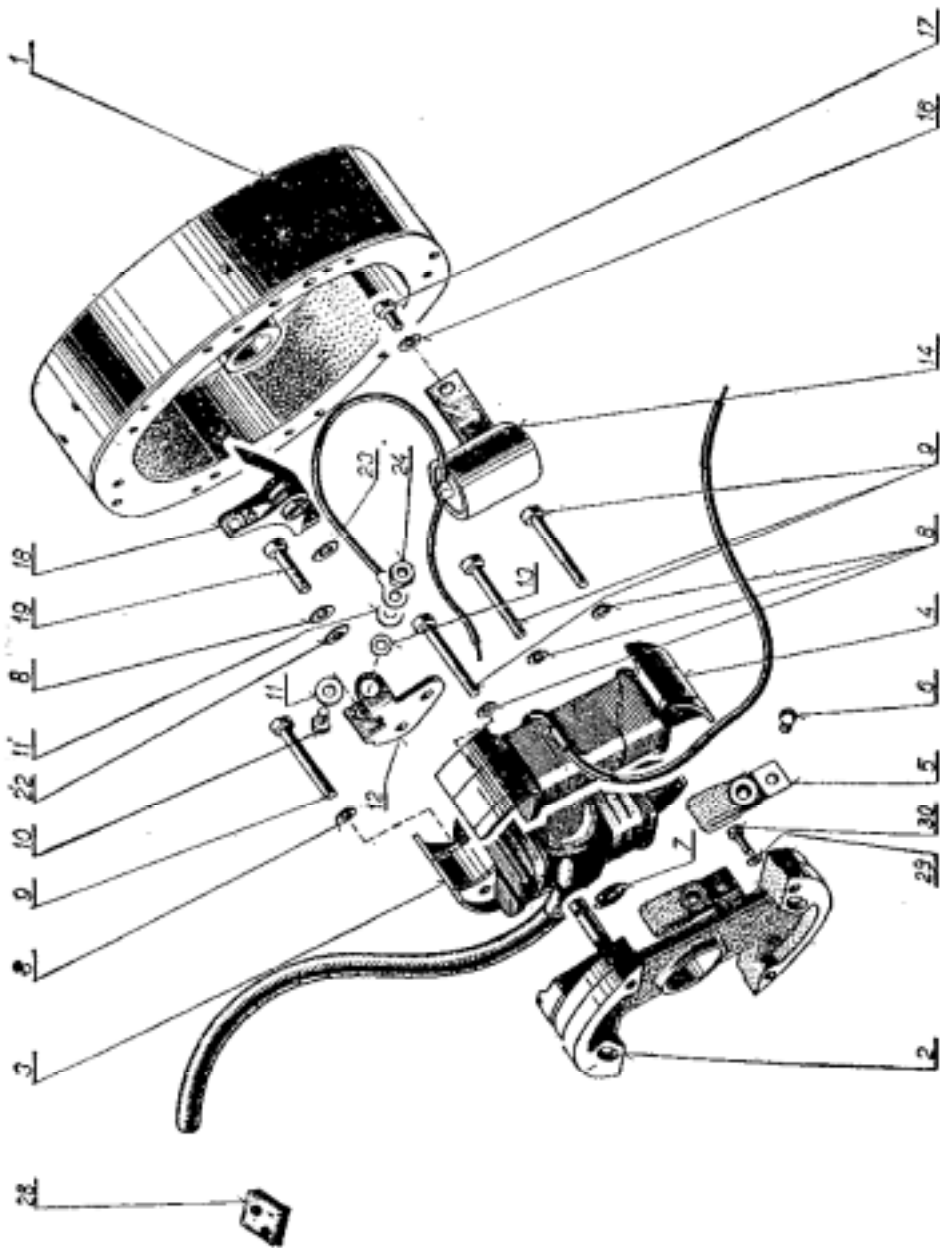
TRANSMISSION



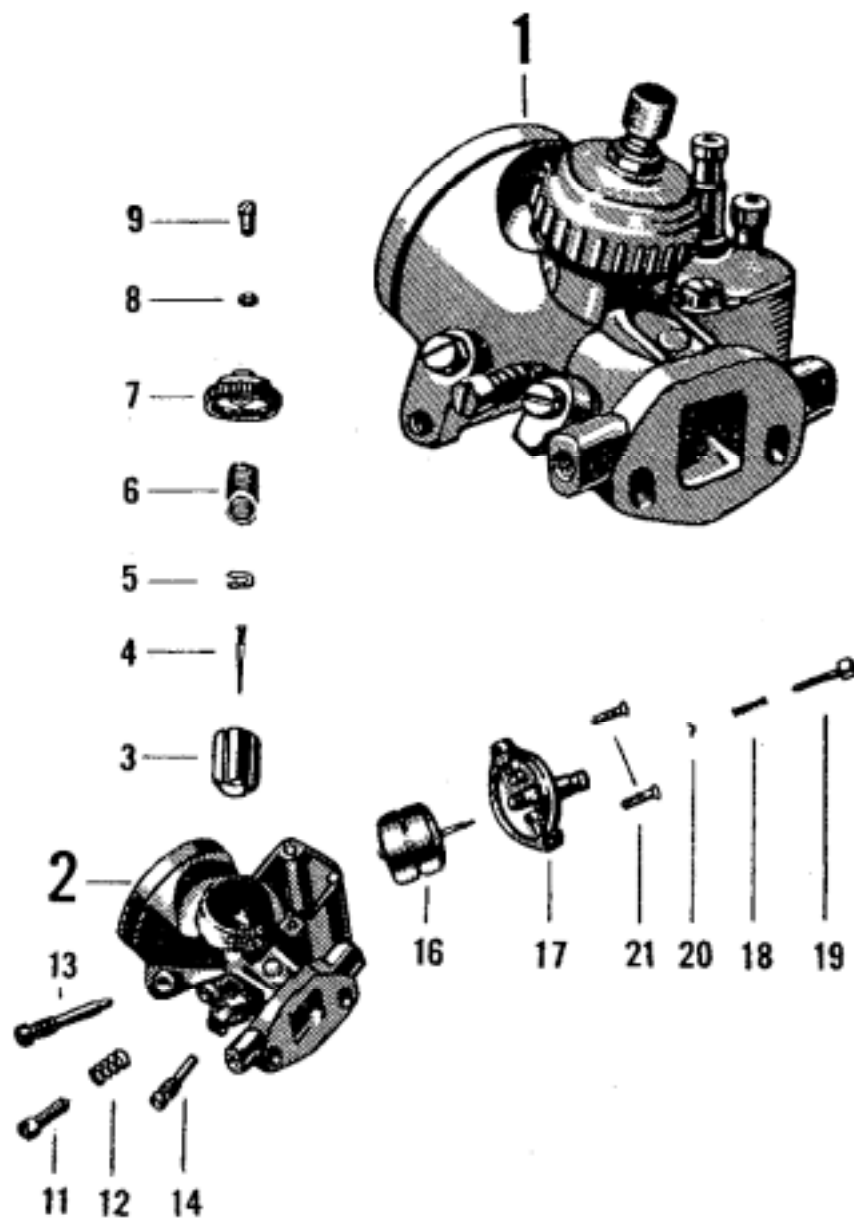
GEAR ENGAGING MECHANISM



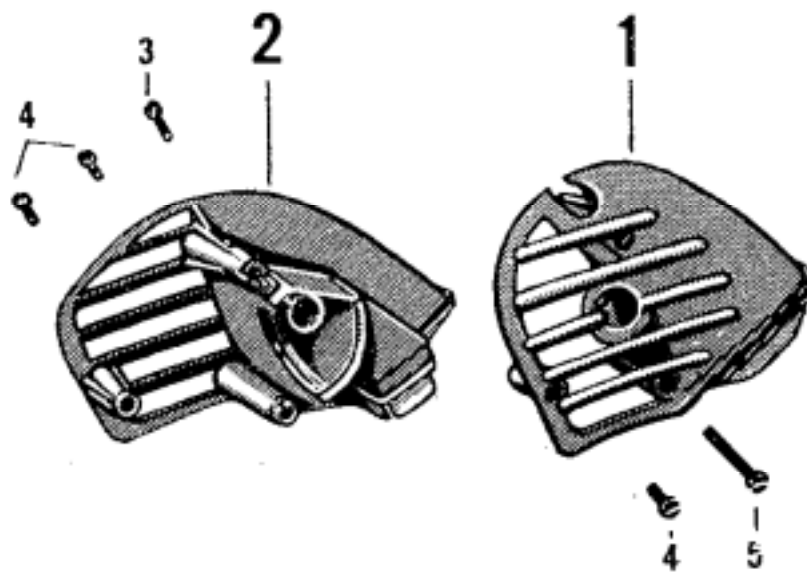
CLUTCH COMPLETE



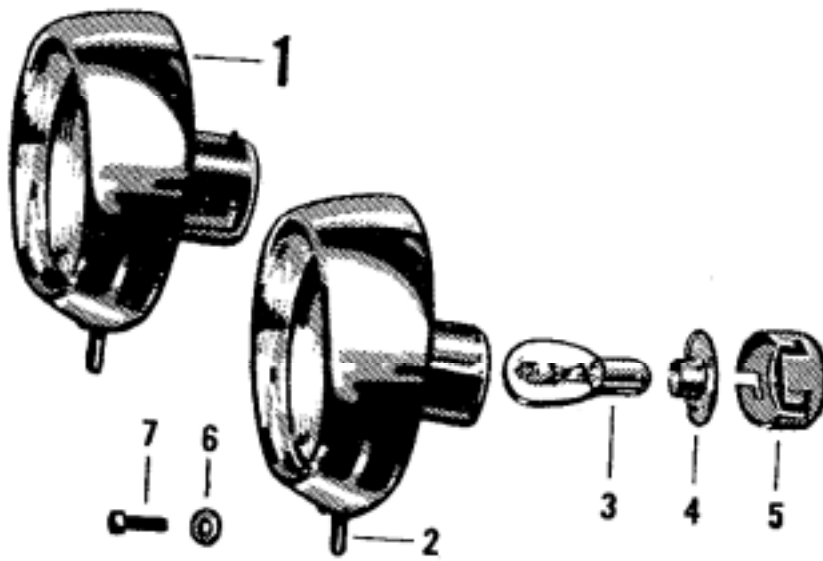
FLYWHEEL MAGNETO



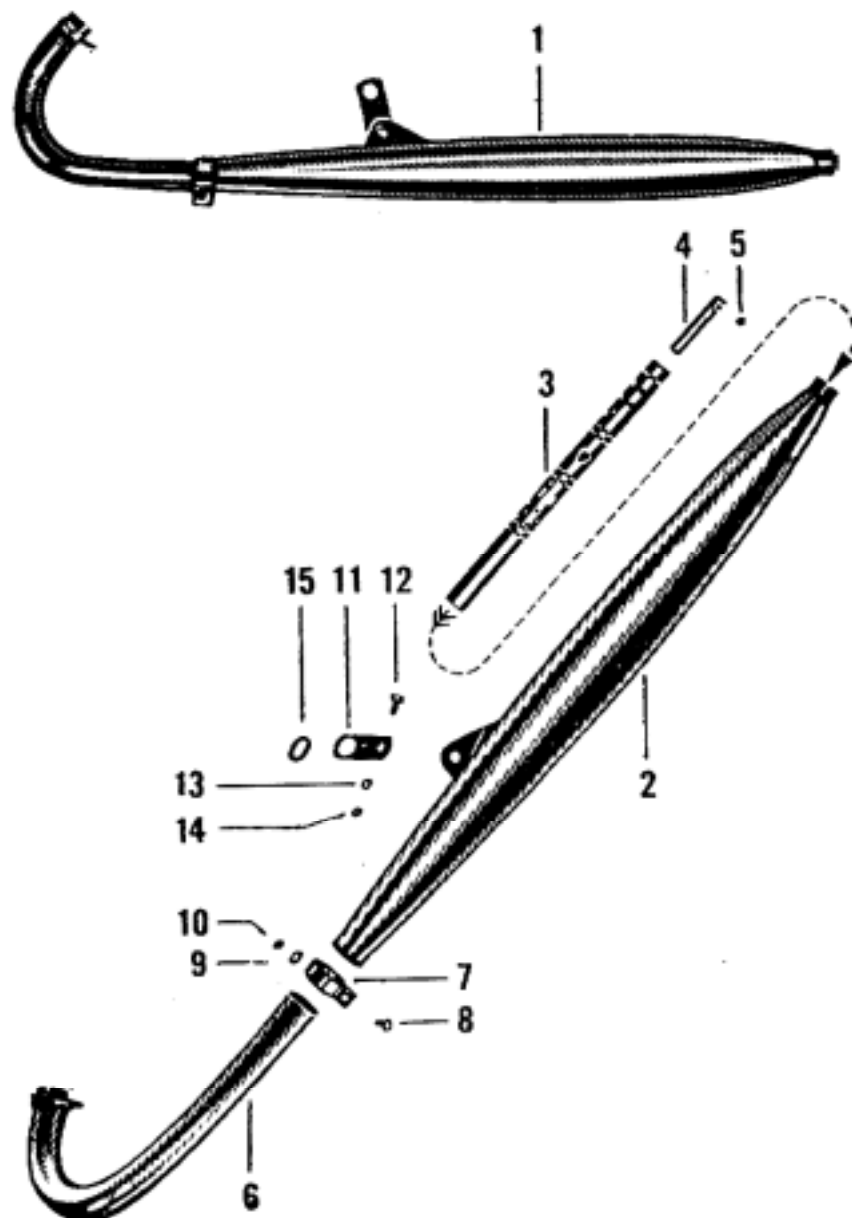
CARBURETOR



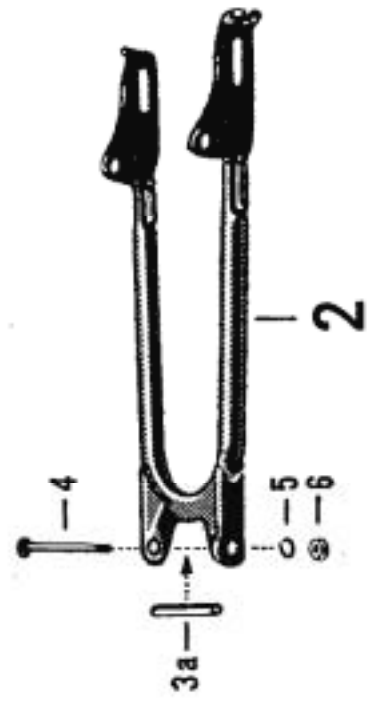
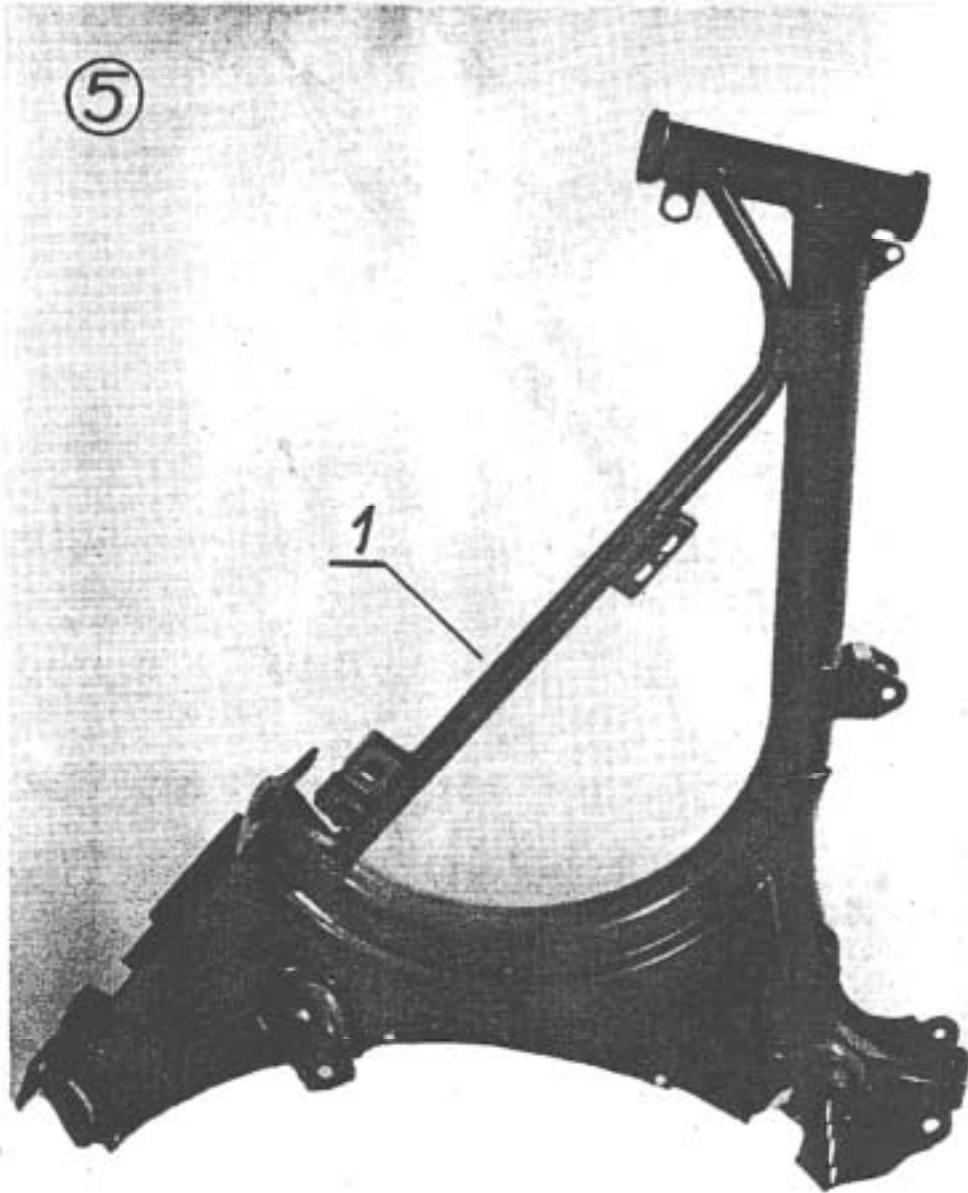
INTAKE SILENCER



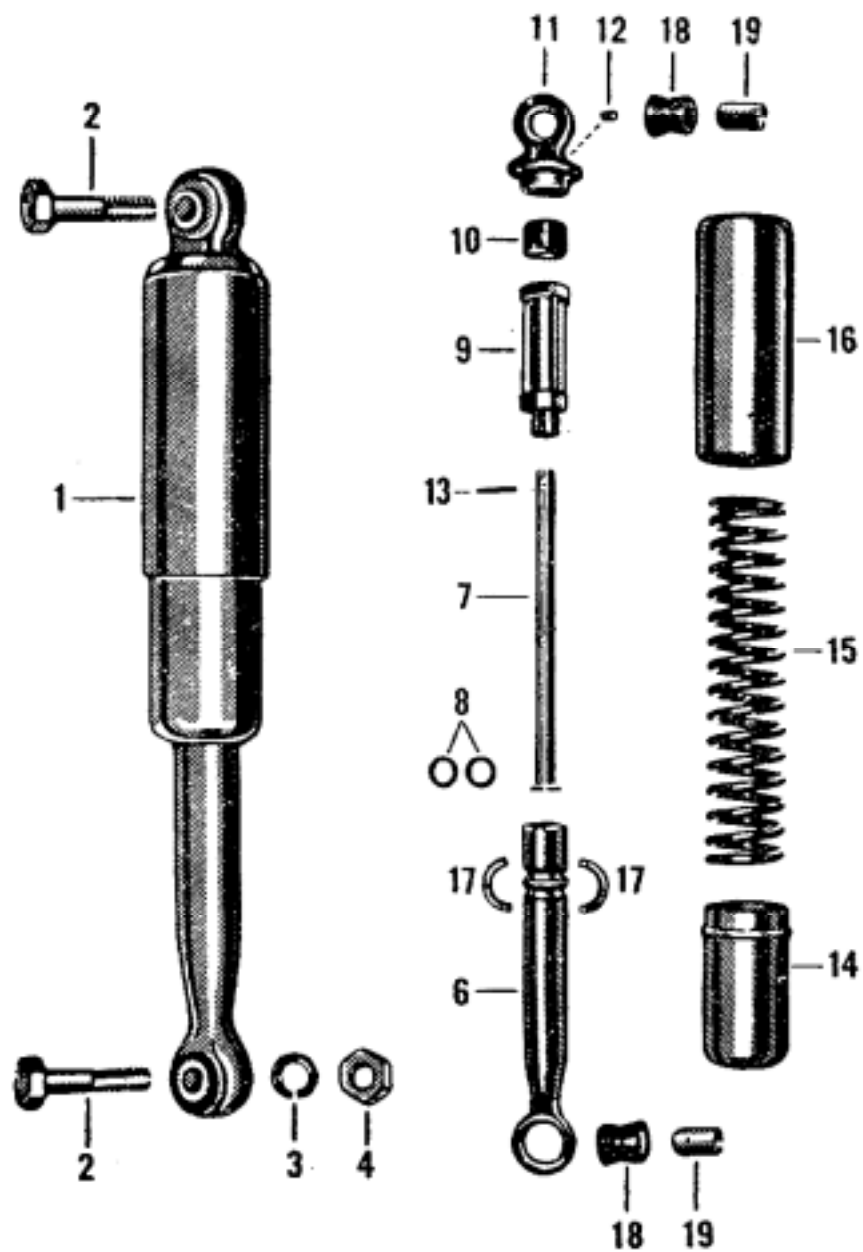
HEADLAMP



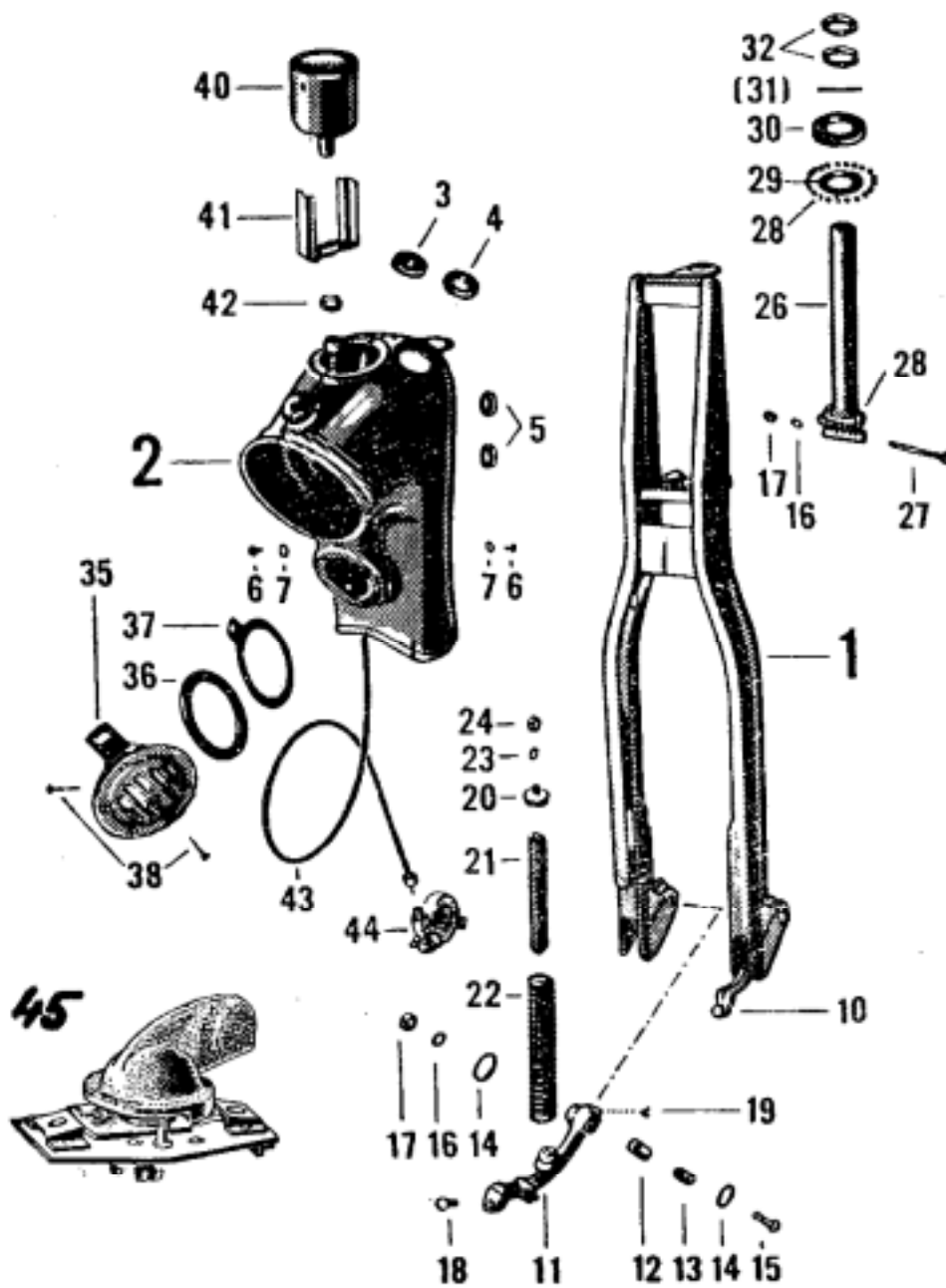
**EXHAUST PIPE
AND SILENCER**



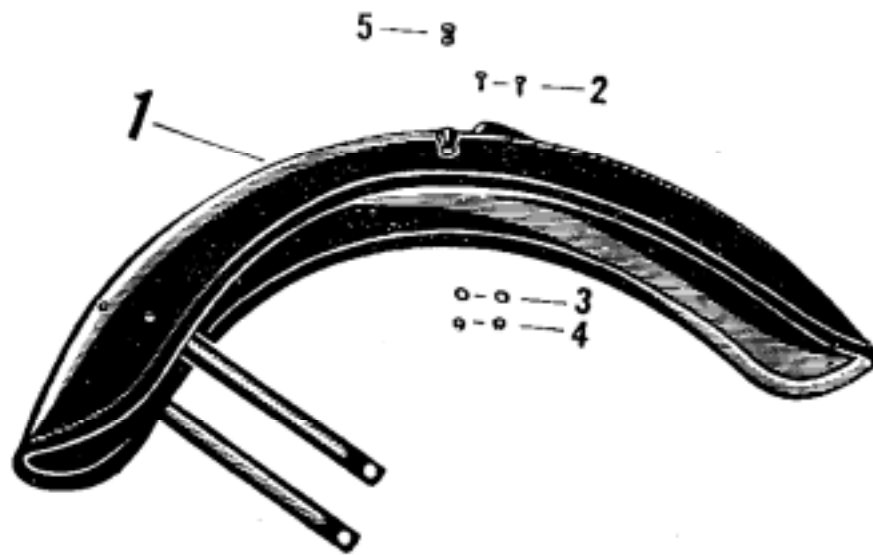
FRAME



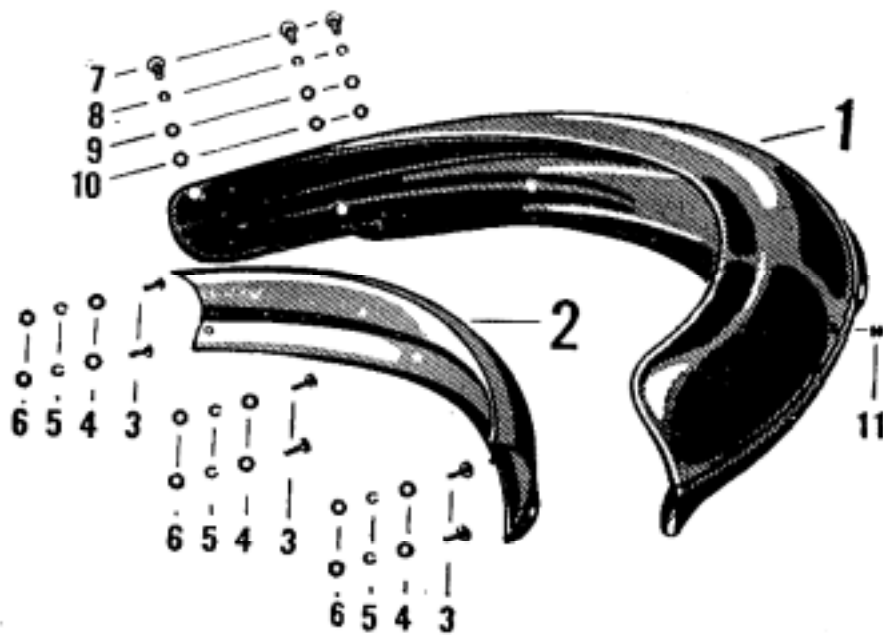
TELESCOPIC SHOCK ABSORBER



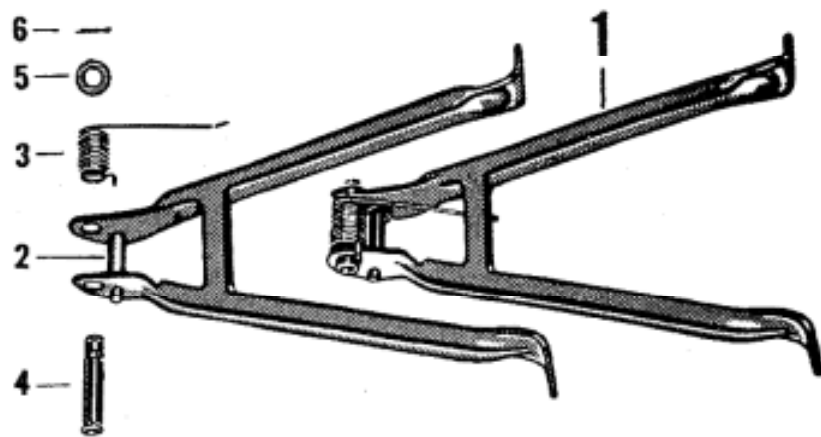
FRONT WHEEL FORK



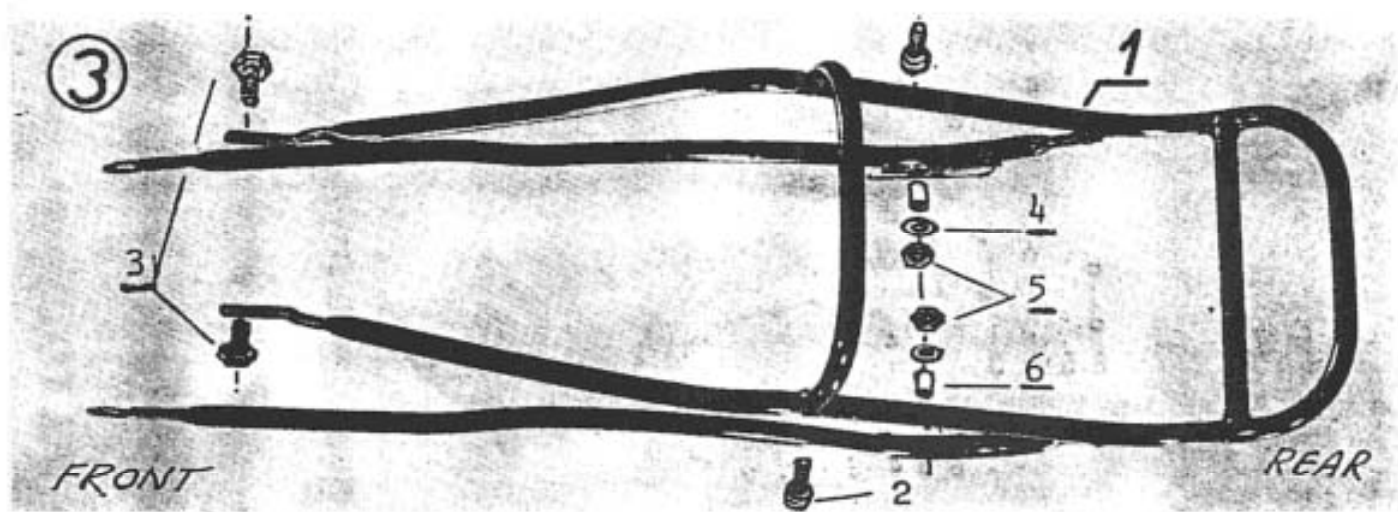
FRONT MUDGUARD



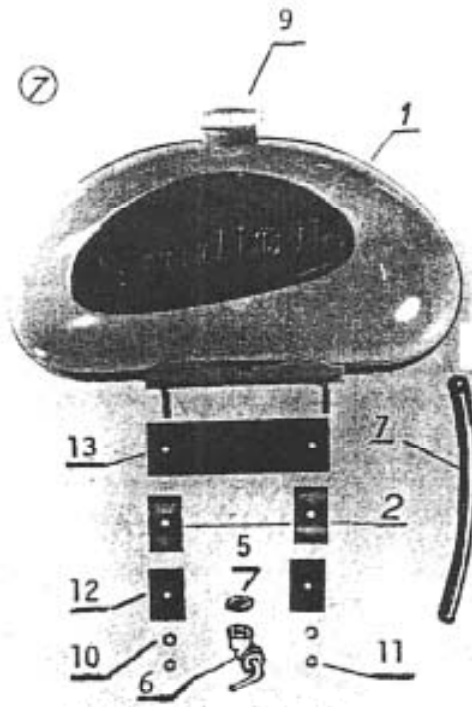
REAR MUDGUARD



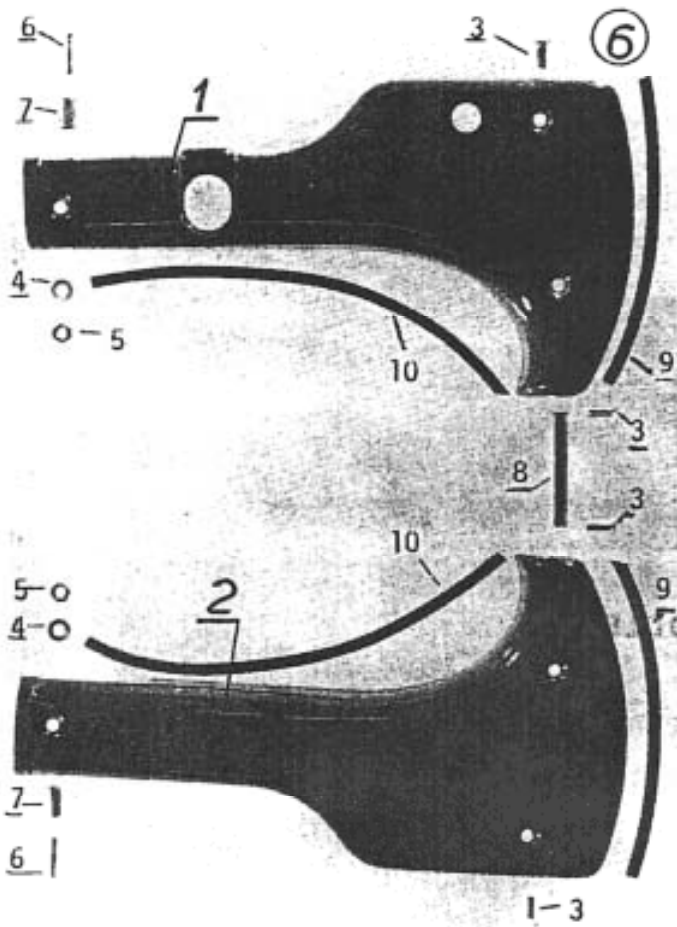
STAND



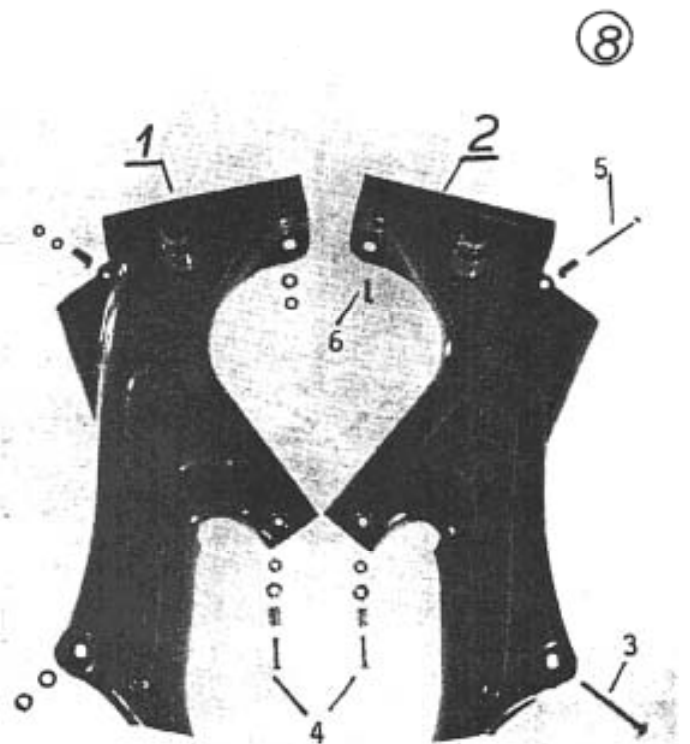
LUGGAGE CARRIER



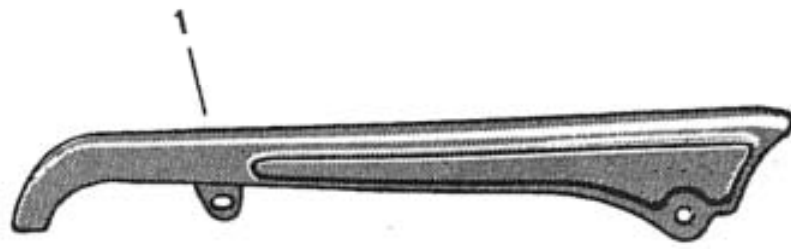
FUEL TANK



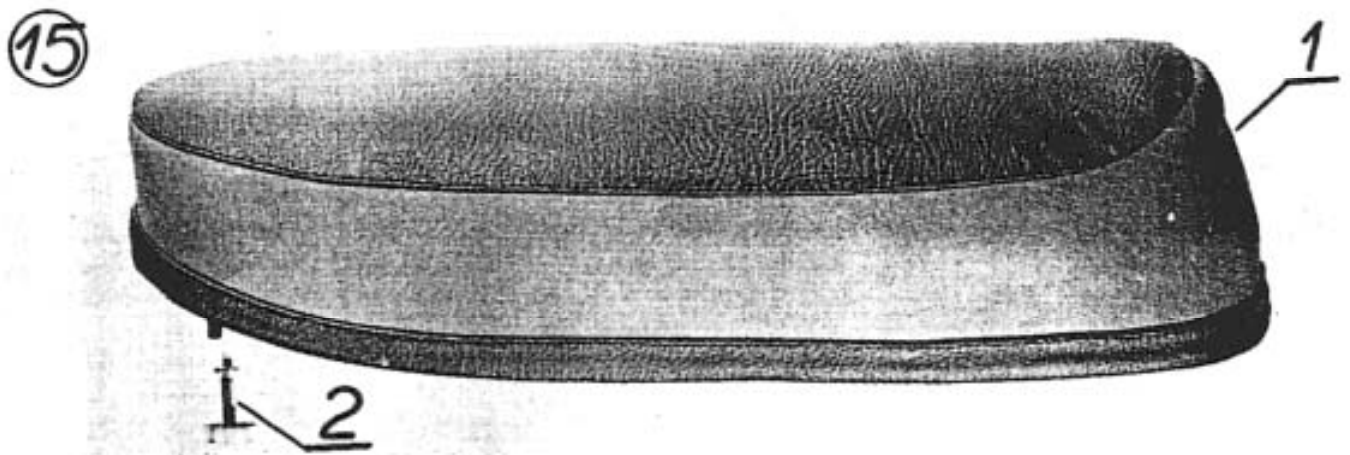
FUEL TANK COVER



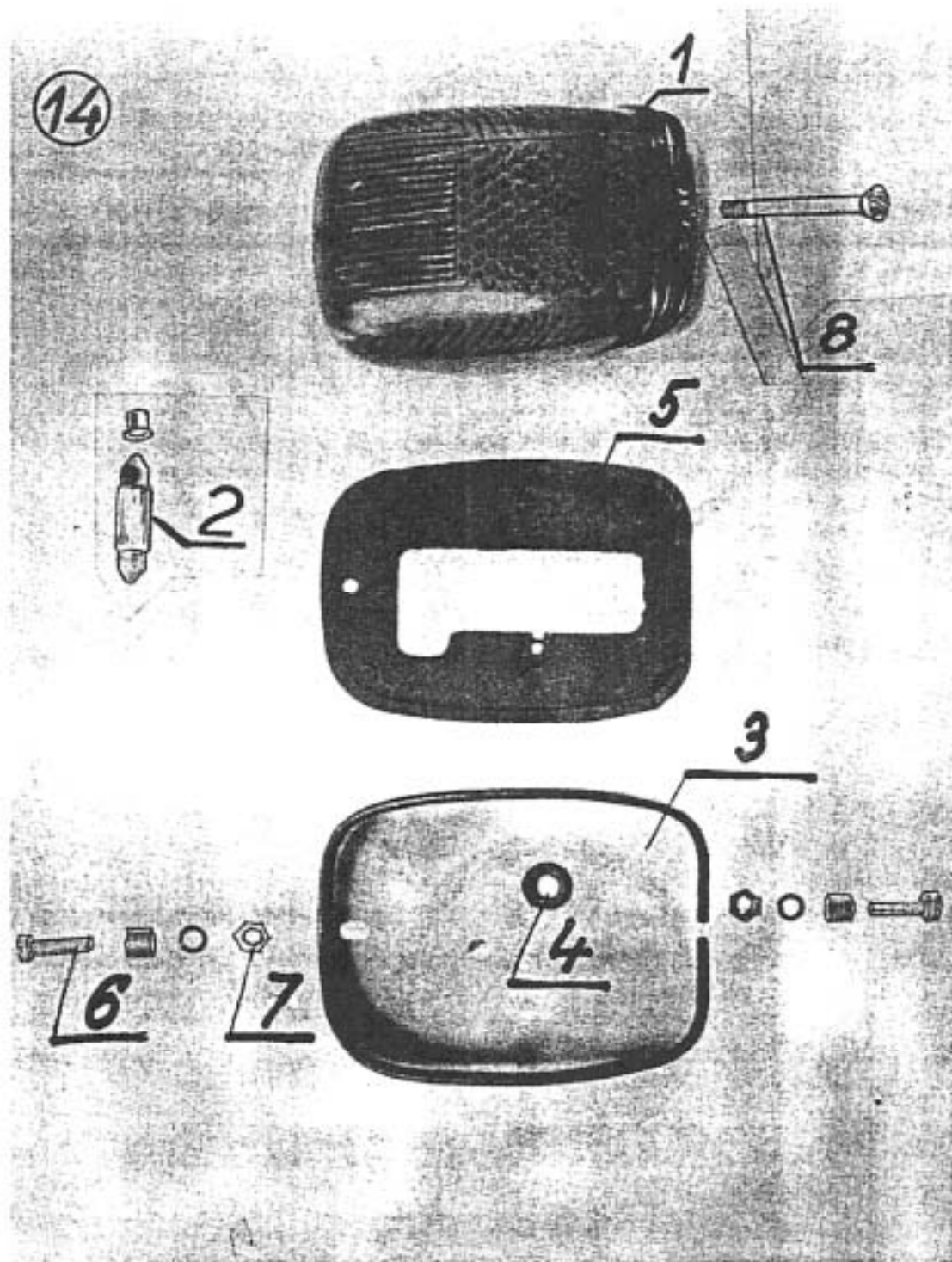
CABLE COVER



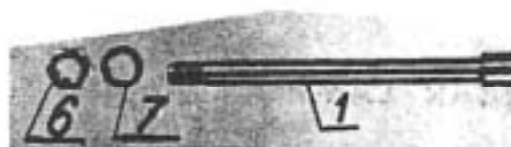
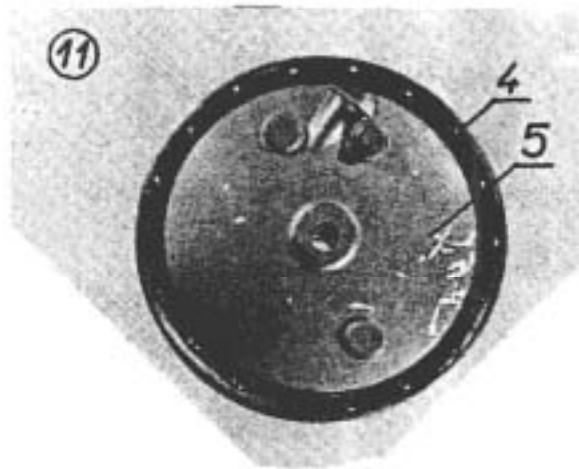
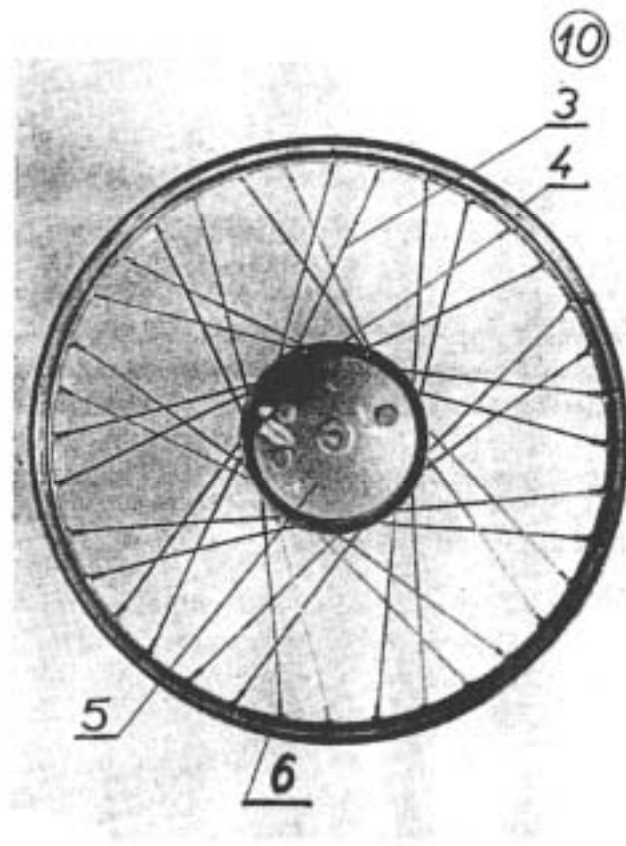
CHAIN GUARD



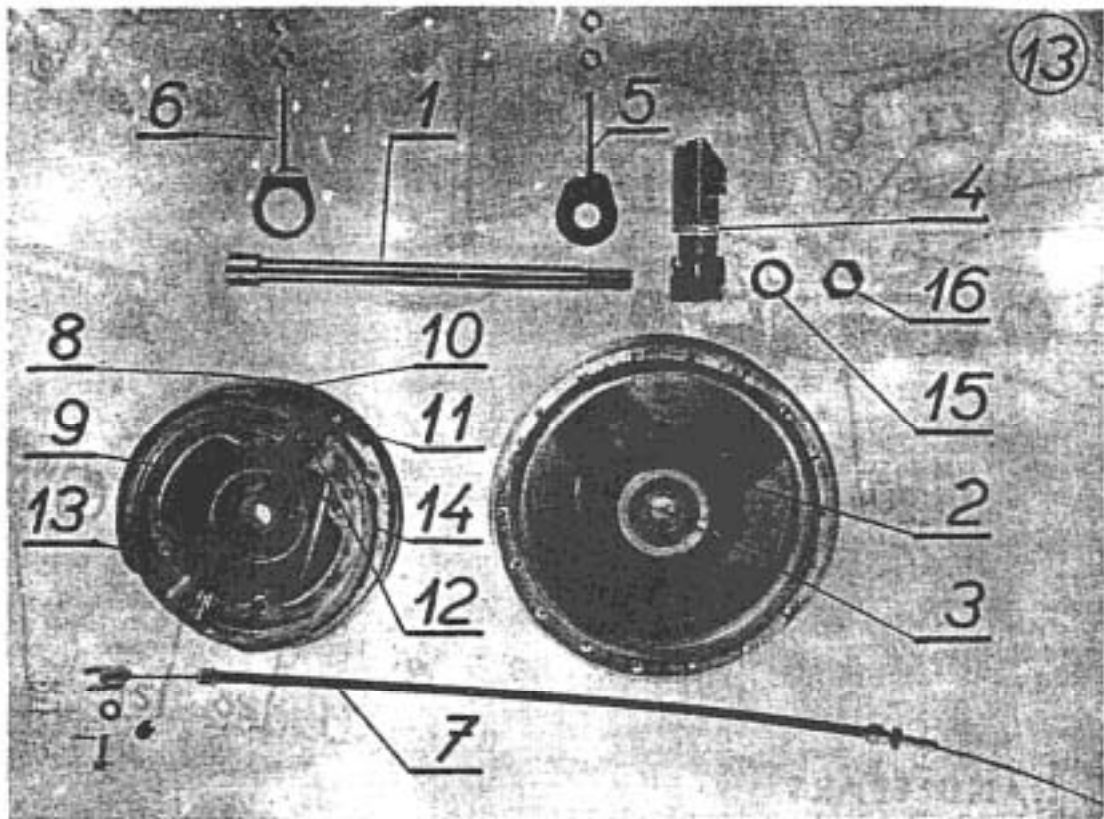
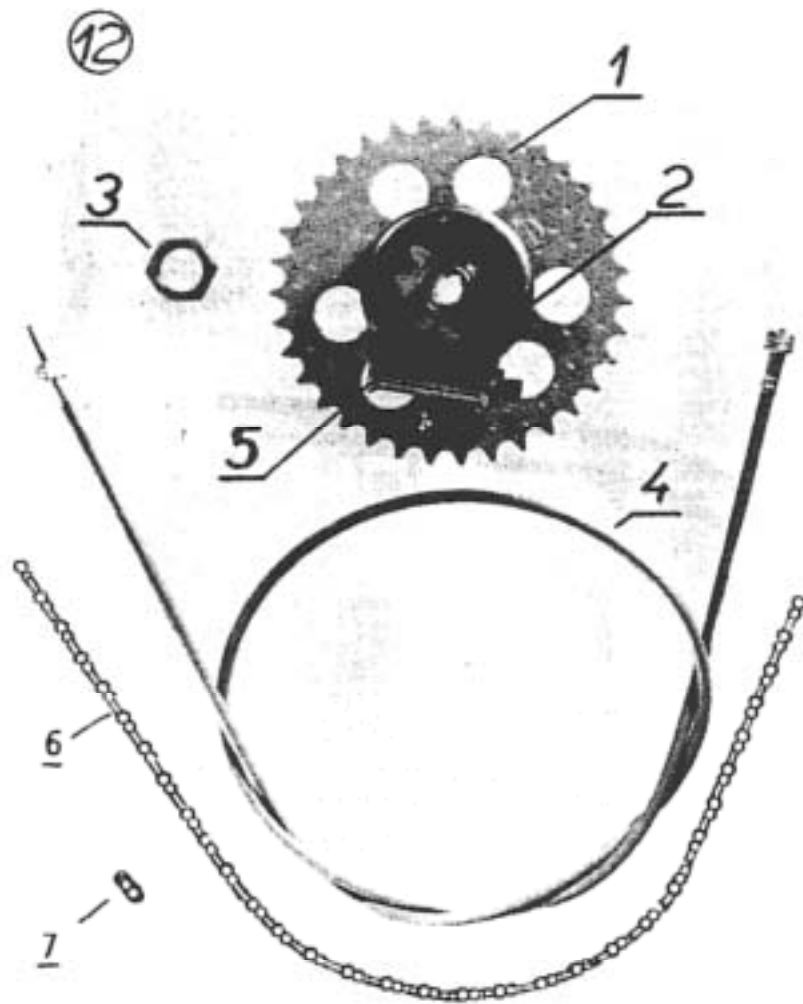
SADDLE



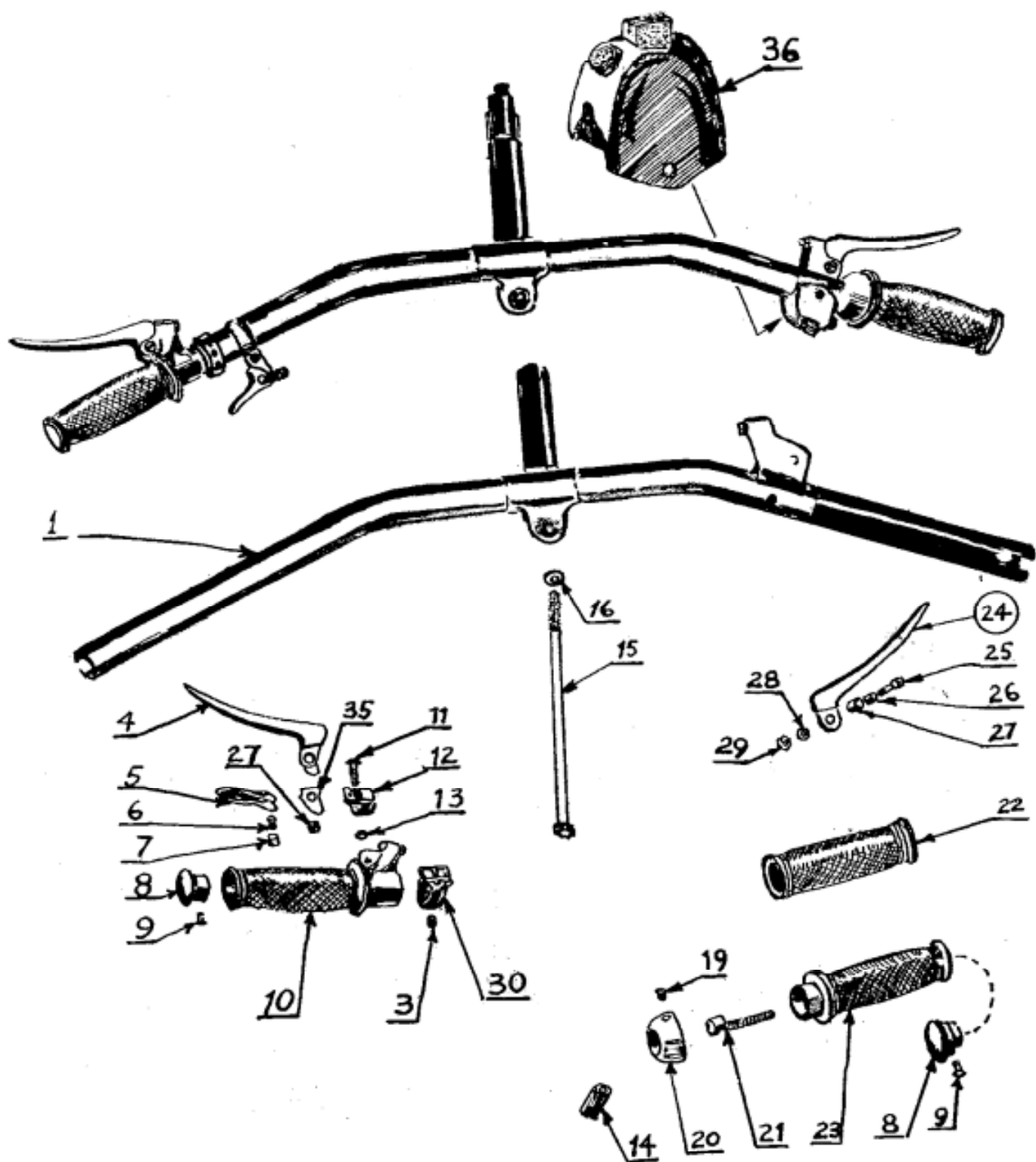
REAR LAMP



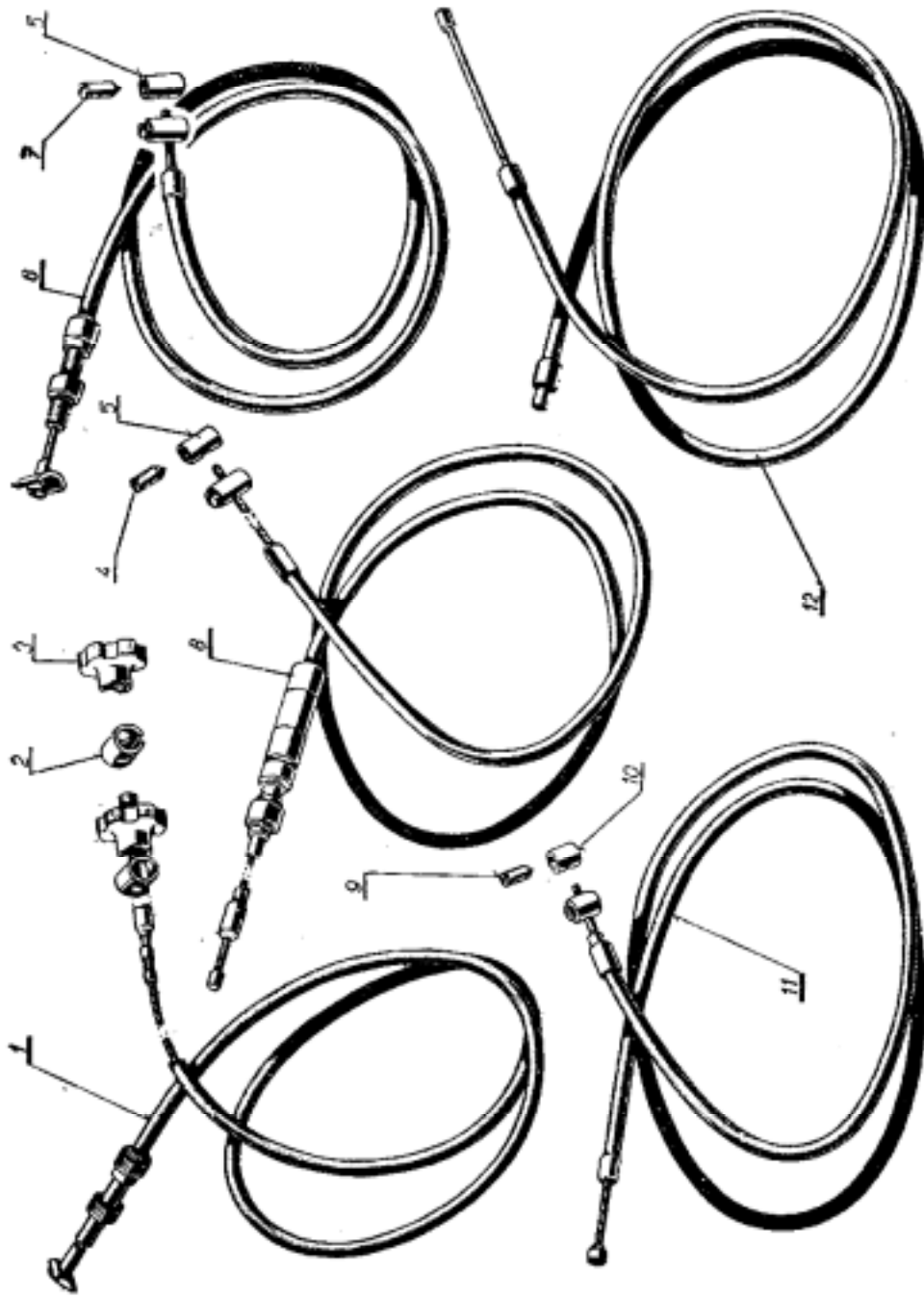
FRONT AND REAR WHEEL



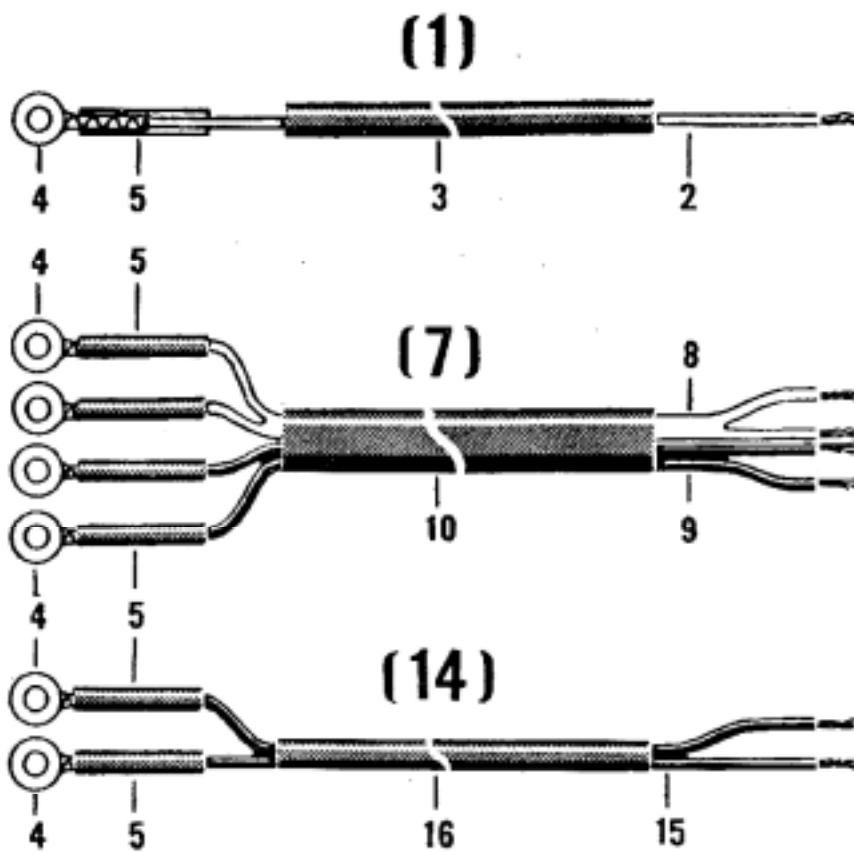
REAR WHEEL



HANDLEBARS



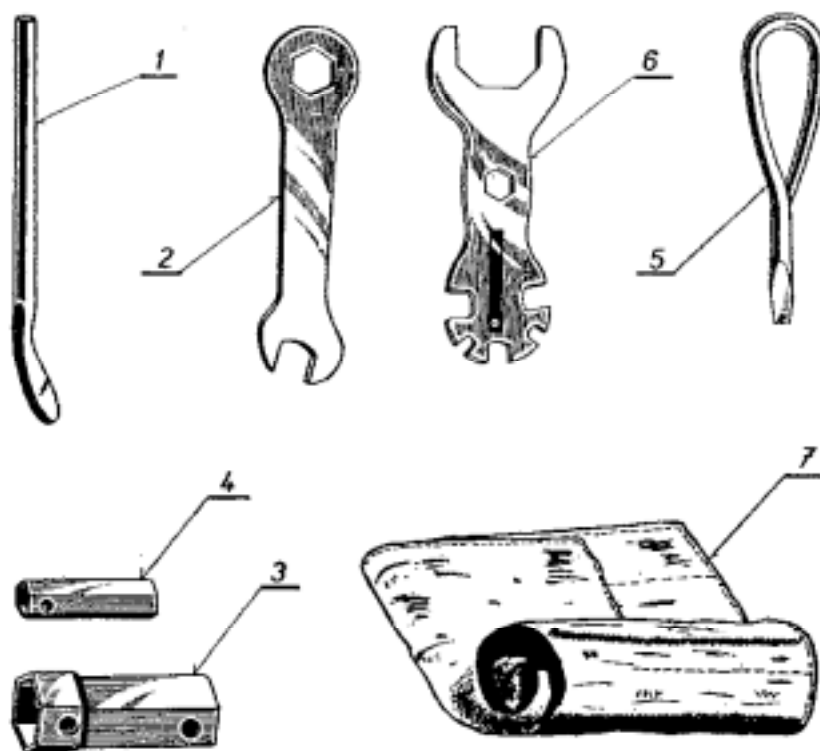
CONTROL CABLES



WIRING CABLES



TIRE PUMP



TOOLS