

ENGINE CRANKCASE

A

m.1 226 151 - engine

m.2 226 401 - engine

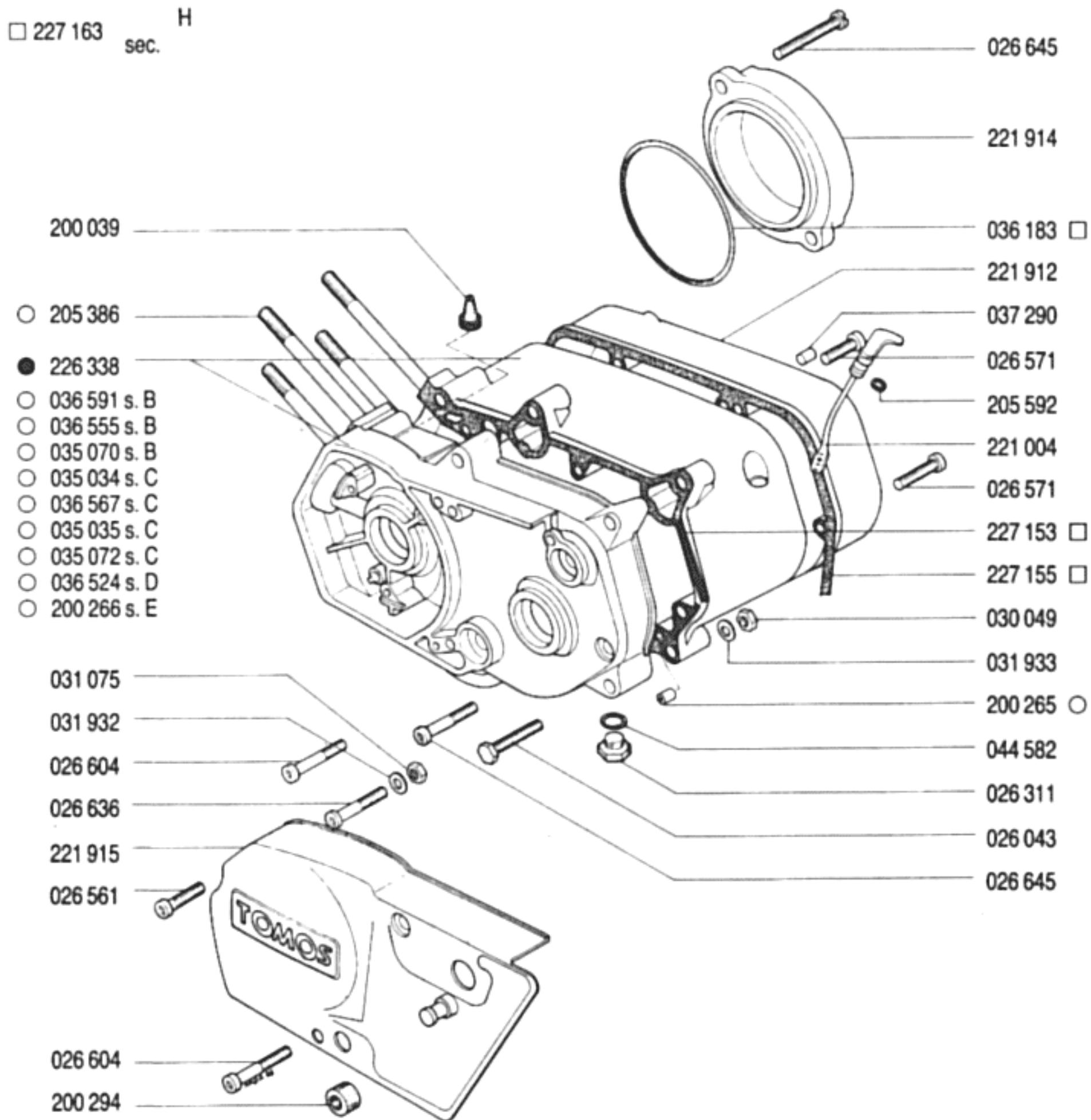
■ 226 483 - gasket set

□ 227 156 sec. B

□ 227 158 sec. B

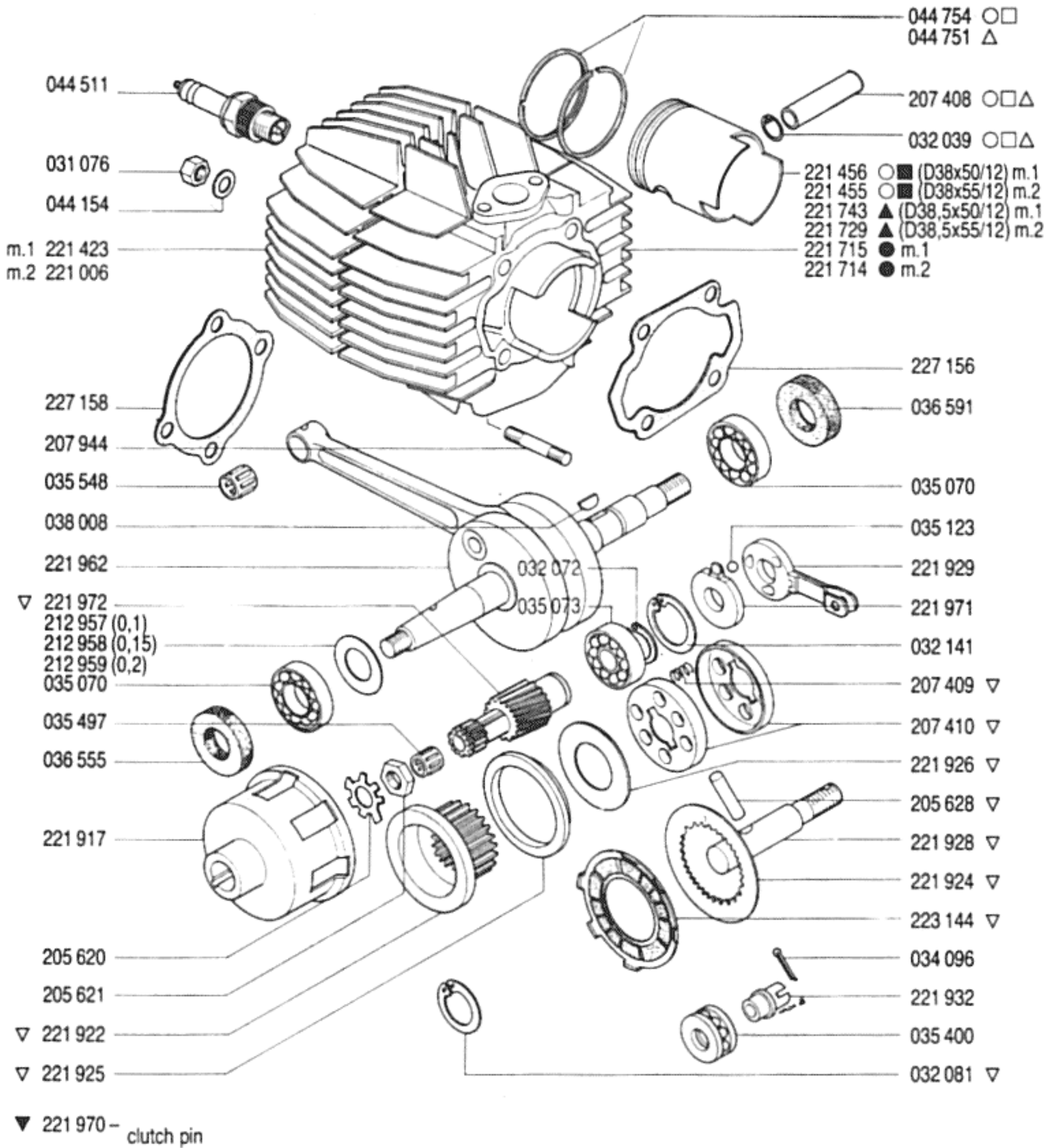
□ 227 147 sec. G

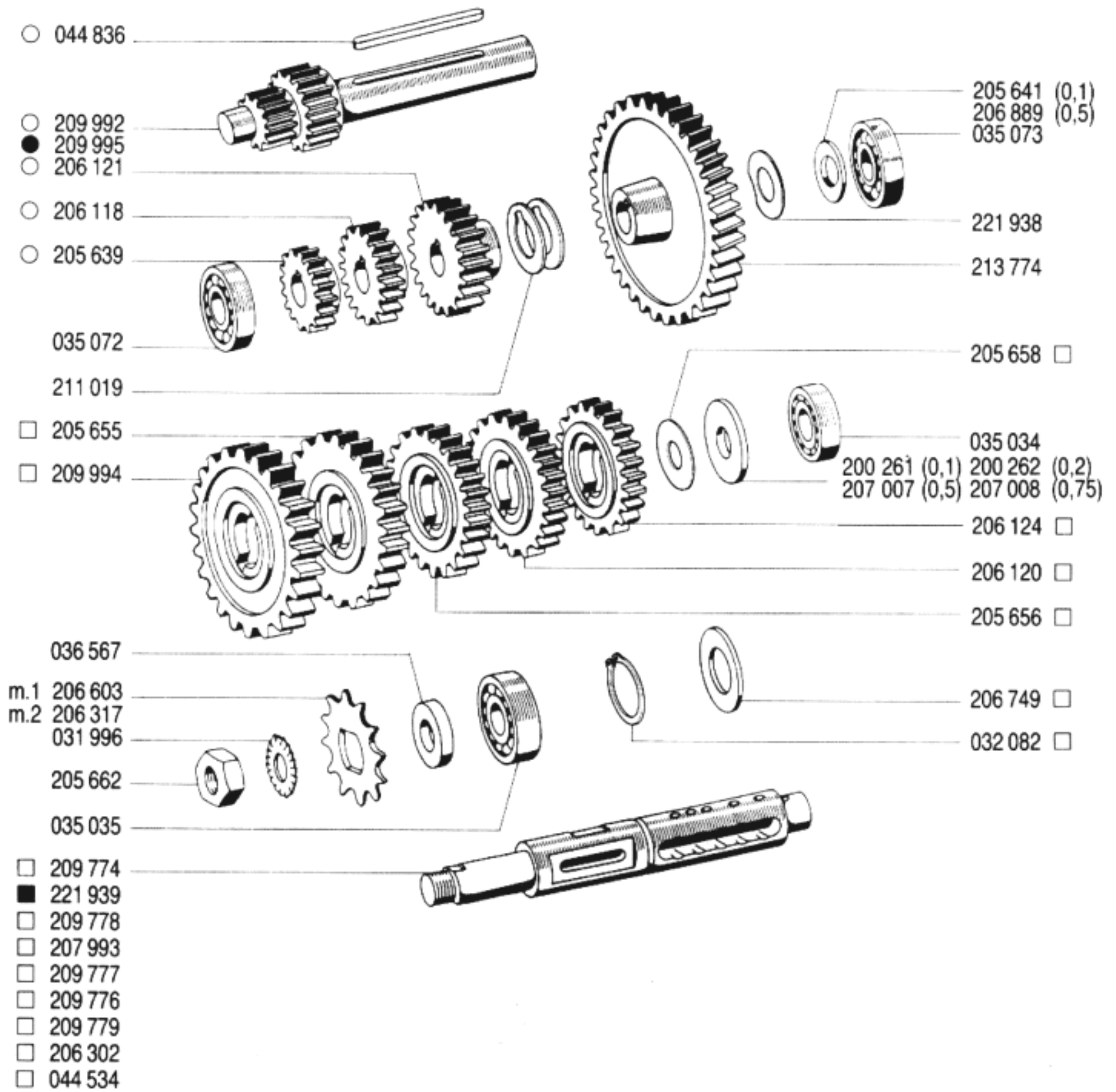
□ 227 163 sec. H



CYLINDER, PISTON, CRANKSHAFT, CLUTCH

B

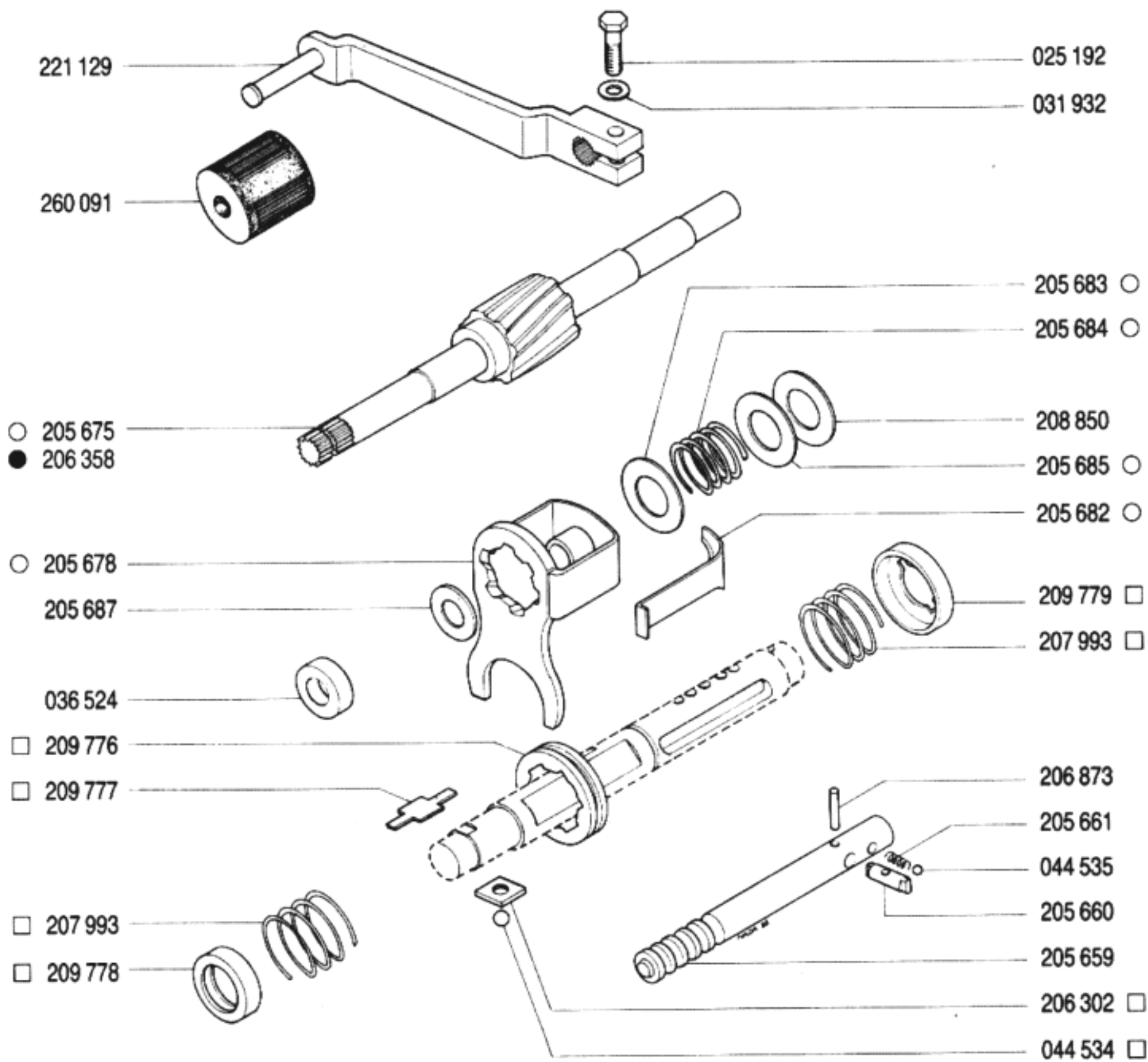


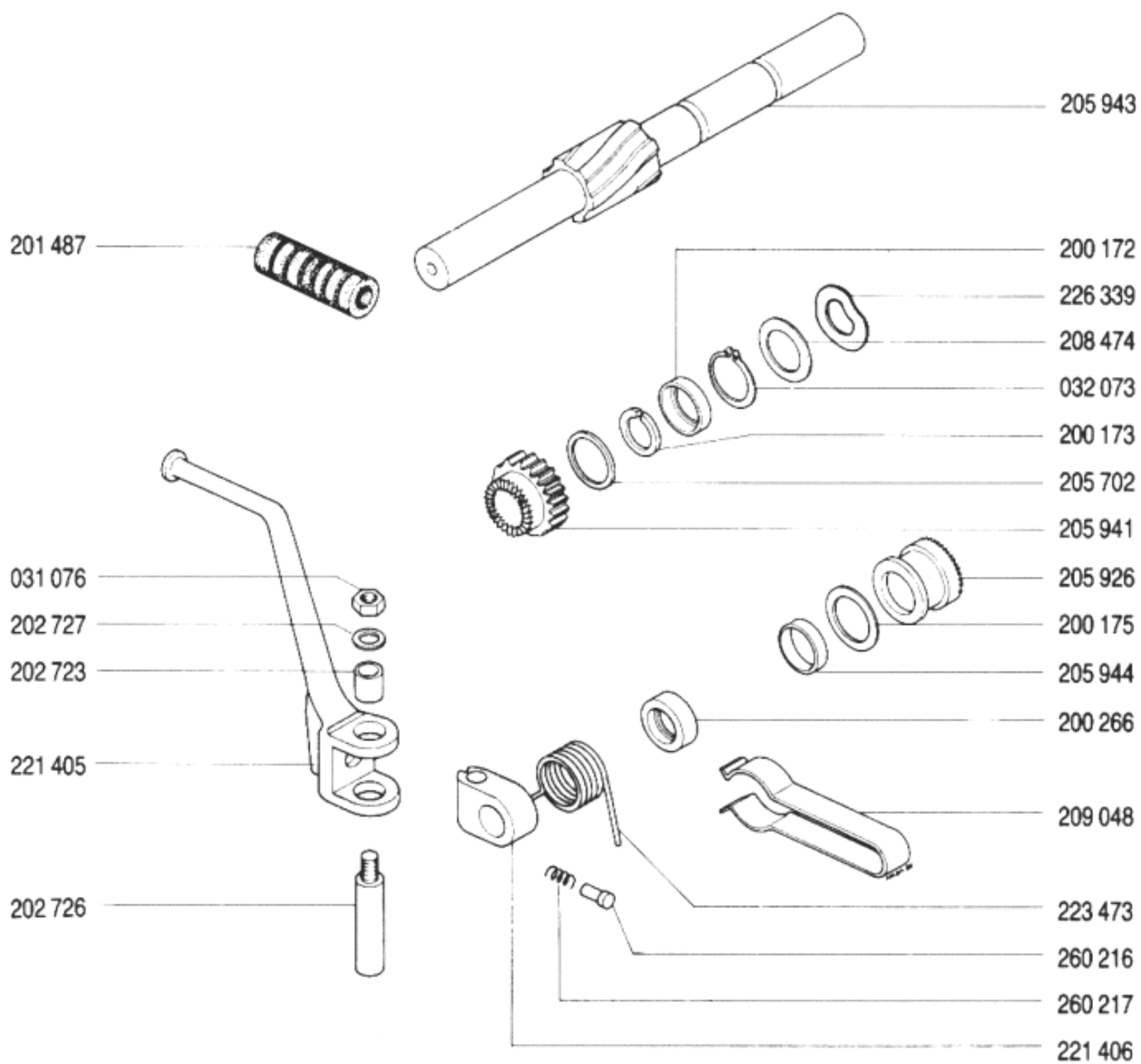


GEARSHIFT MECHANISM

D

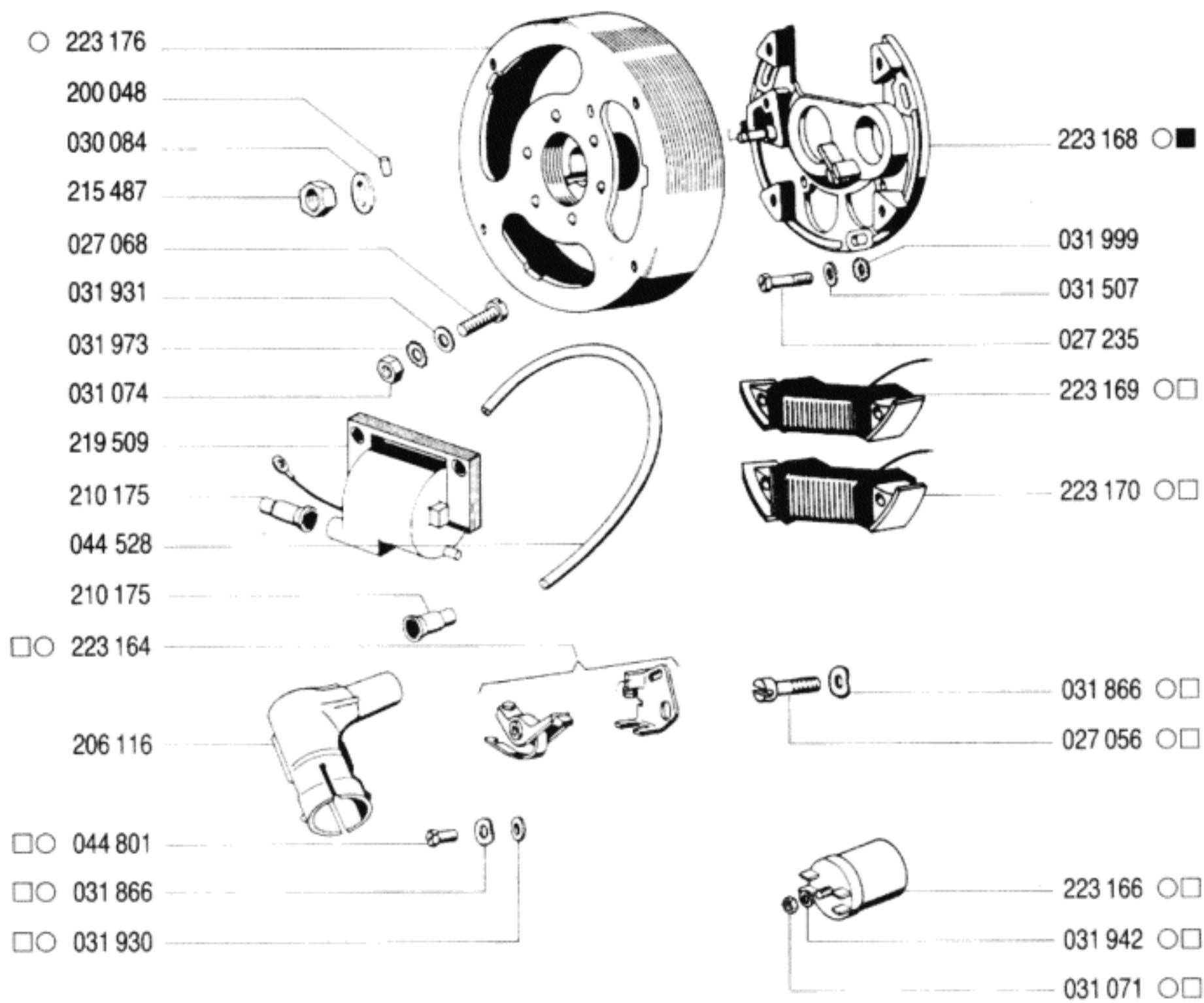
■ 221 939

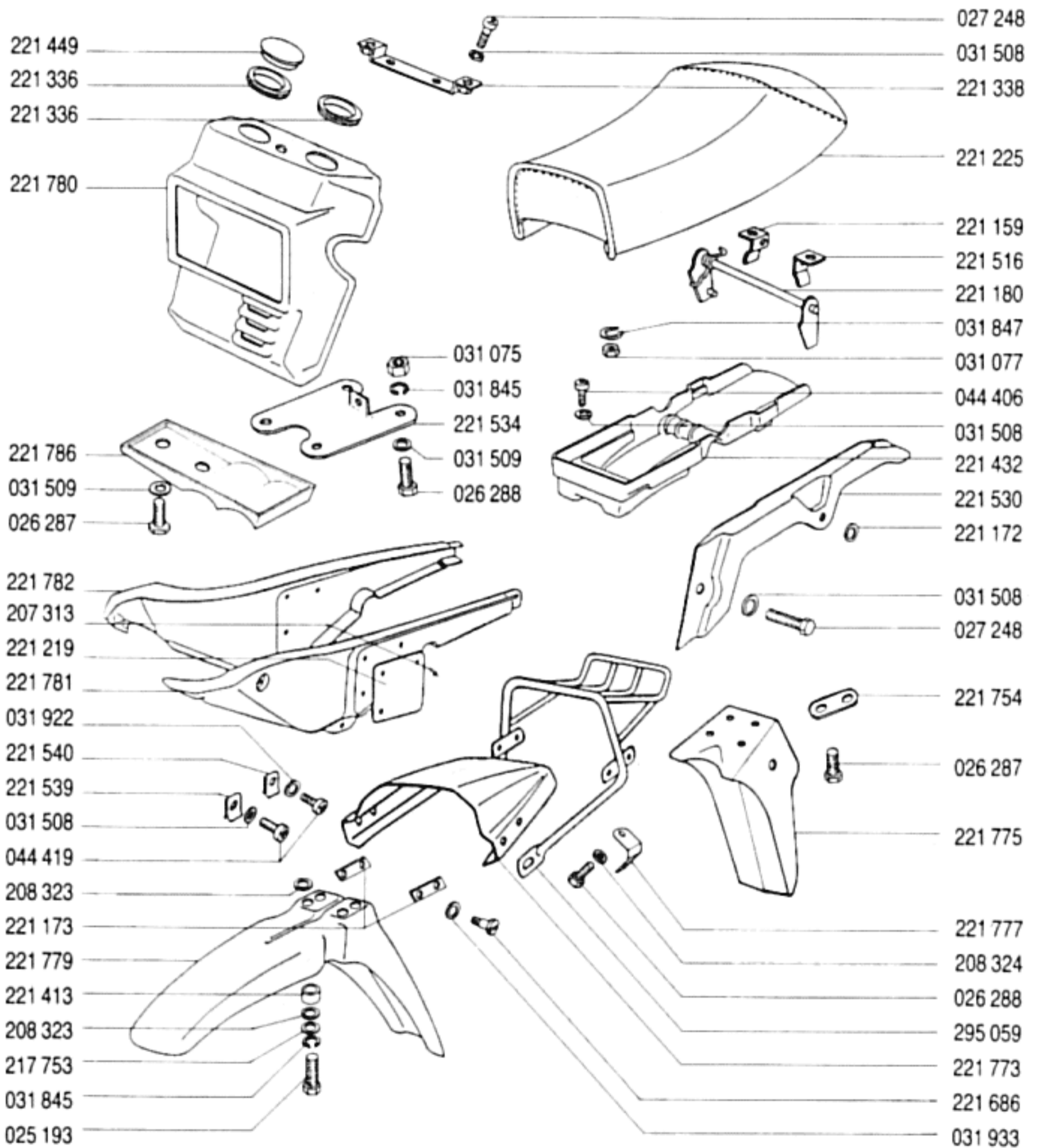




MAGNETO

● 222 010 (ISKRA 12V 50W)



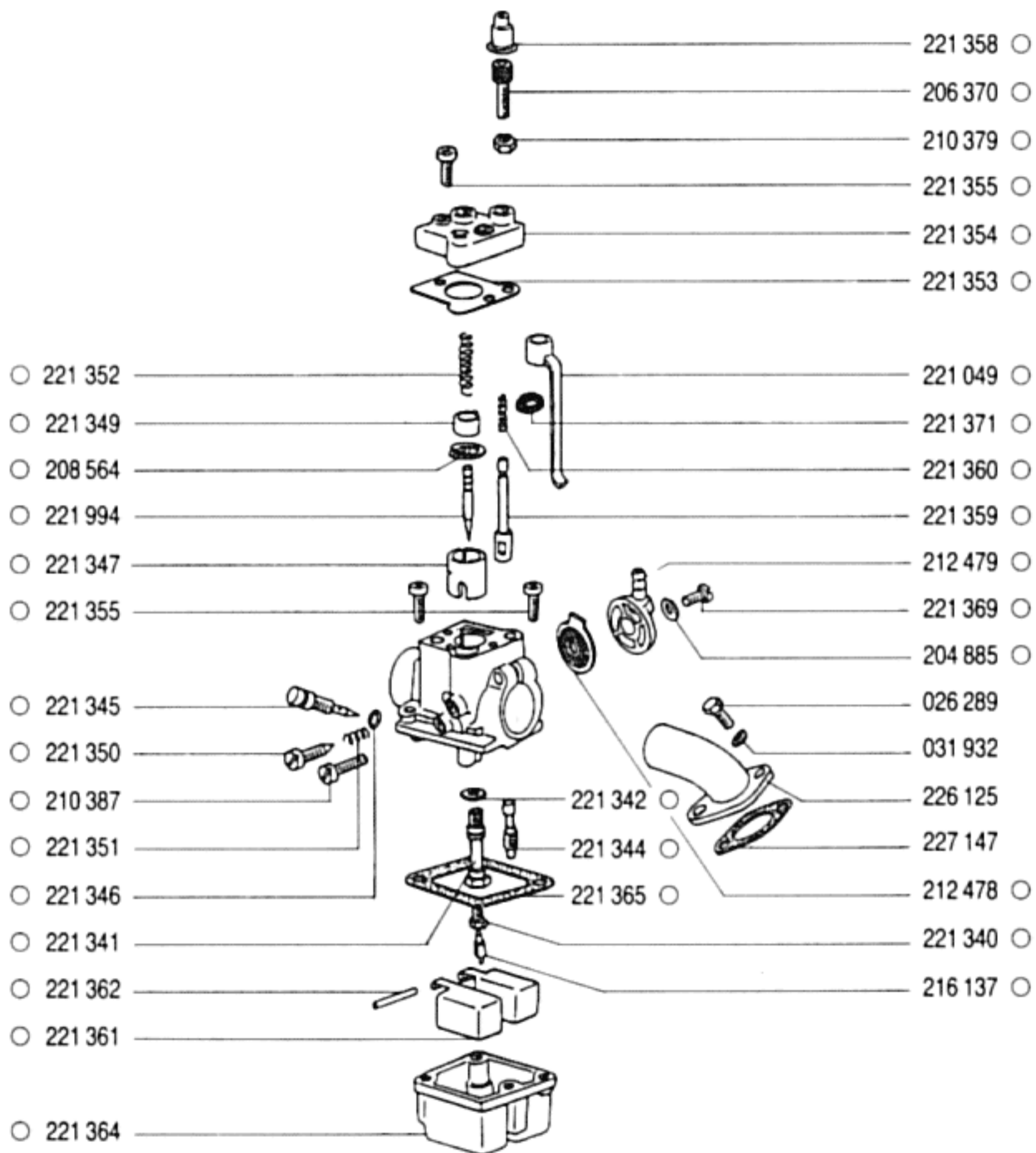


- 221 397 - decal TOMOS (pair)
- 221 557 - decal TOMOS (tail end)
- 221 398 - side decal front (pair)

- 221 399 - side decal rear (pair)
- 221 732 - decal
- 226 101 - decal 50 C

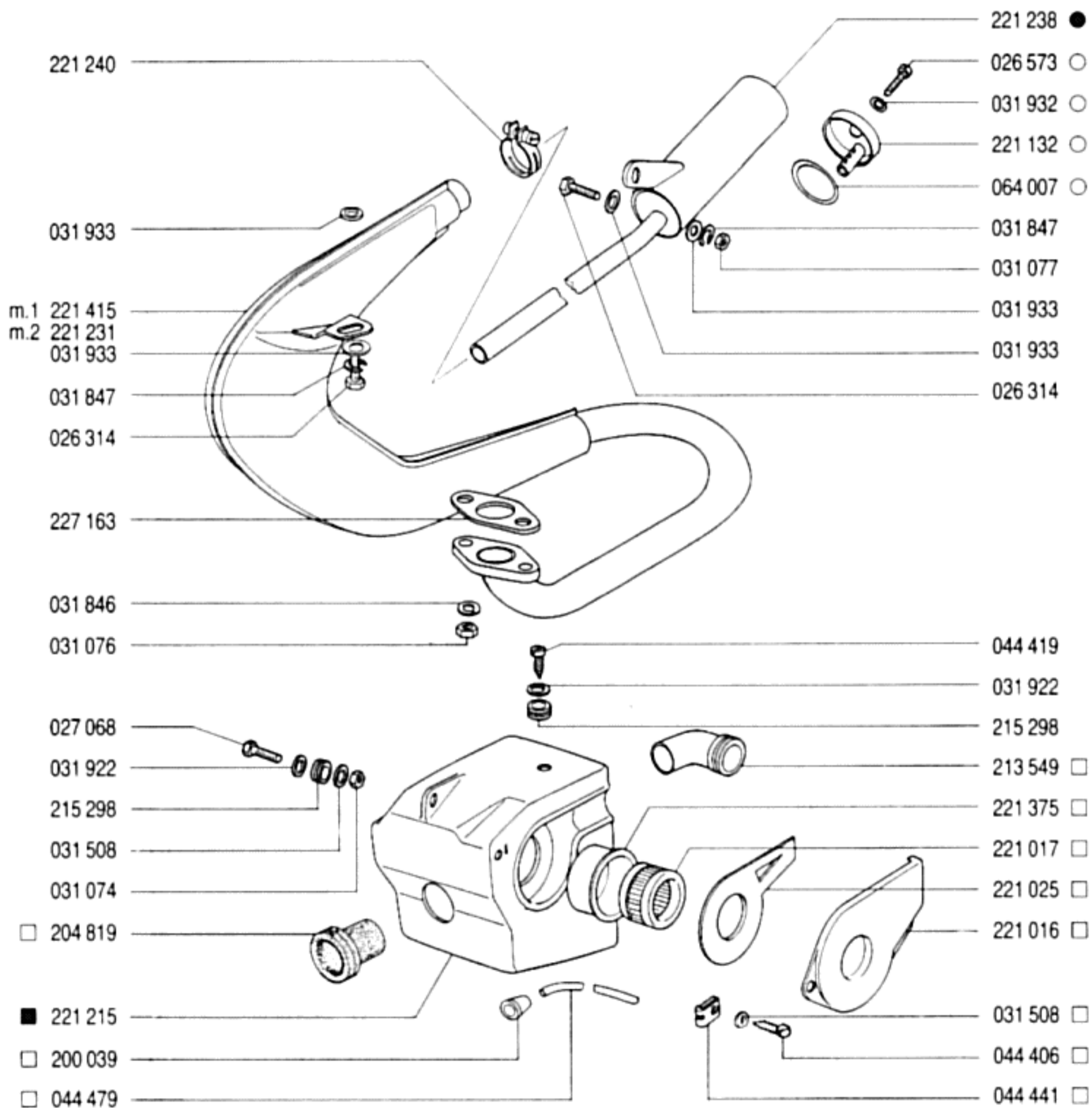
CARBURETTOR

● 221 018 (BING 18/12/110)



EXHAUST SILENCER, INTAKE SILENCER

H

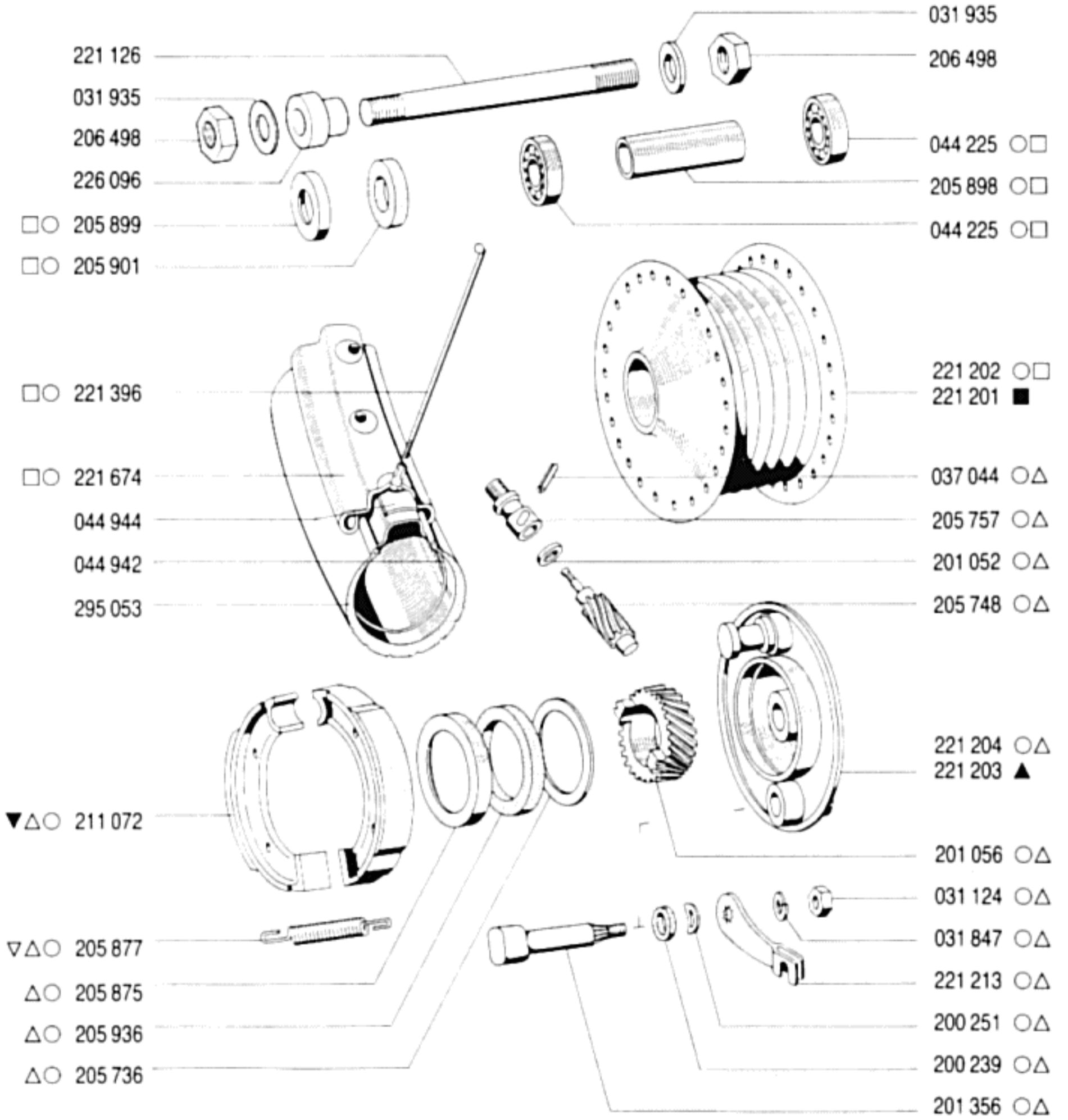


044 460 - strip

FRONT WHEEL

M

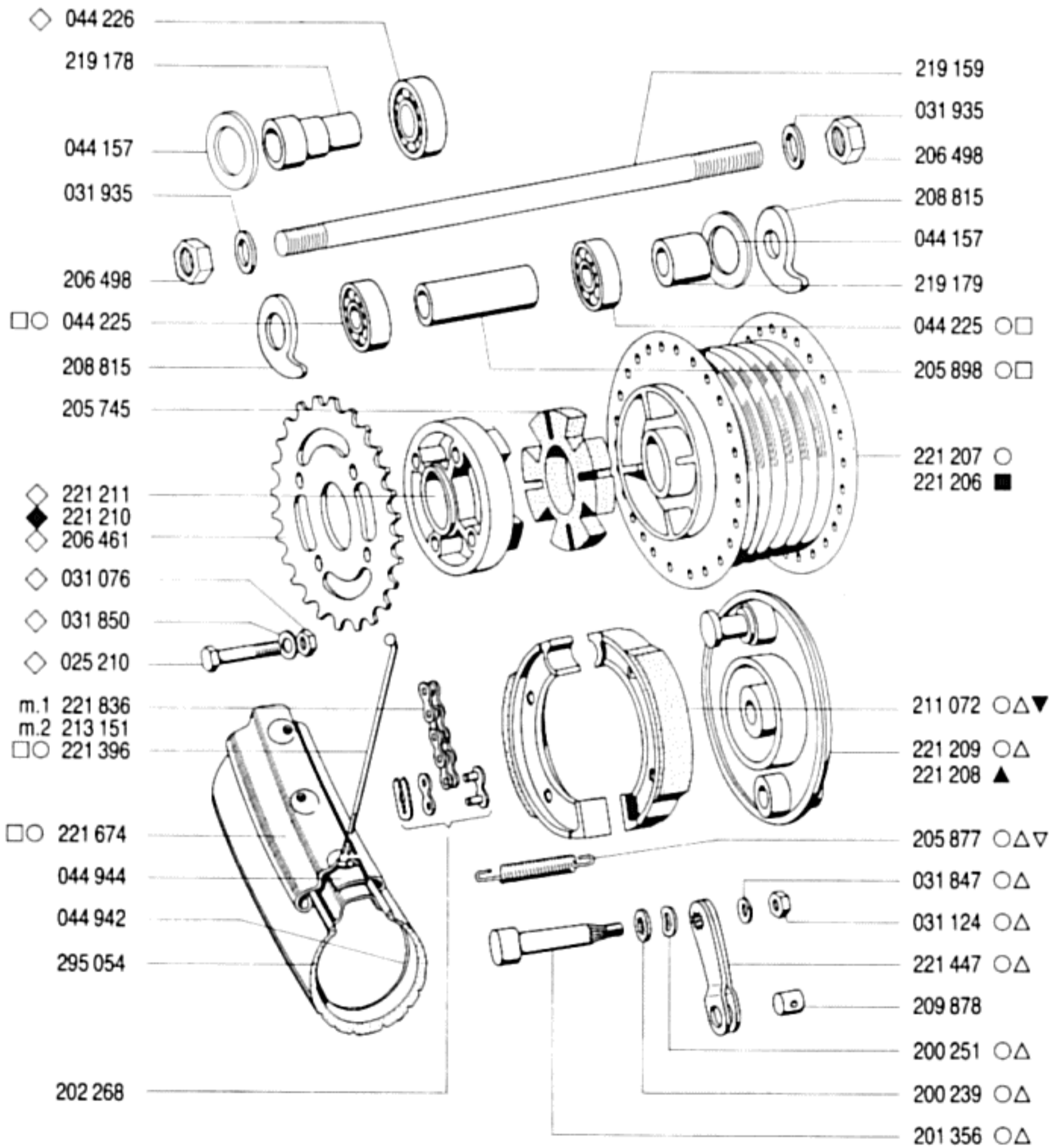
● 221 200



REAR WHEEL

N

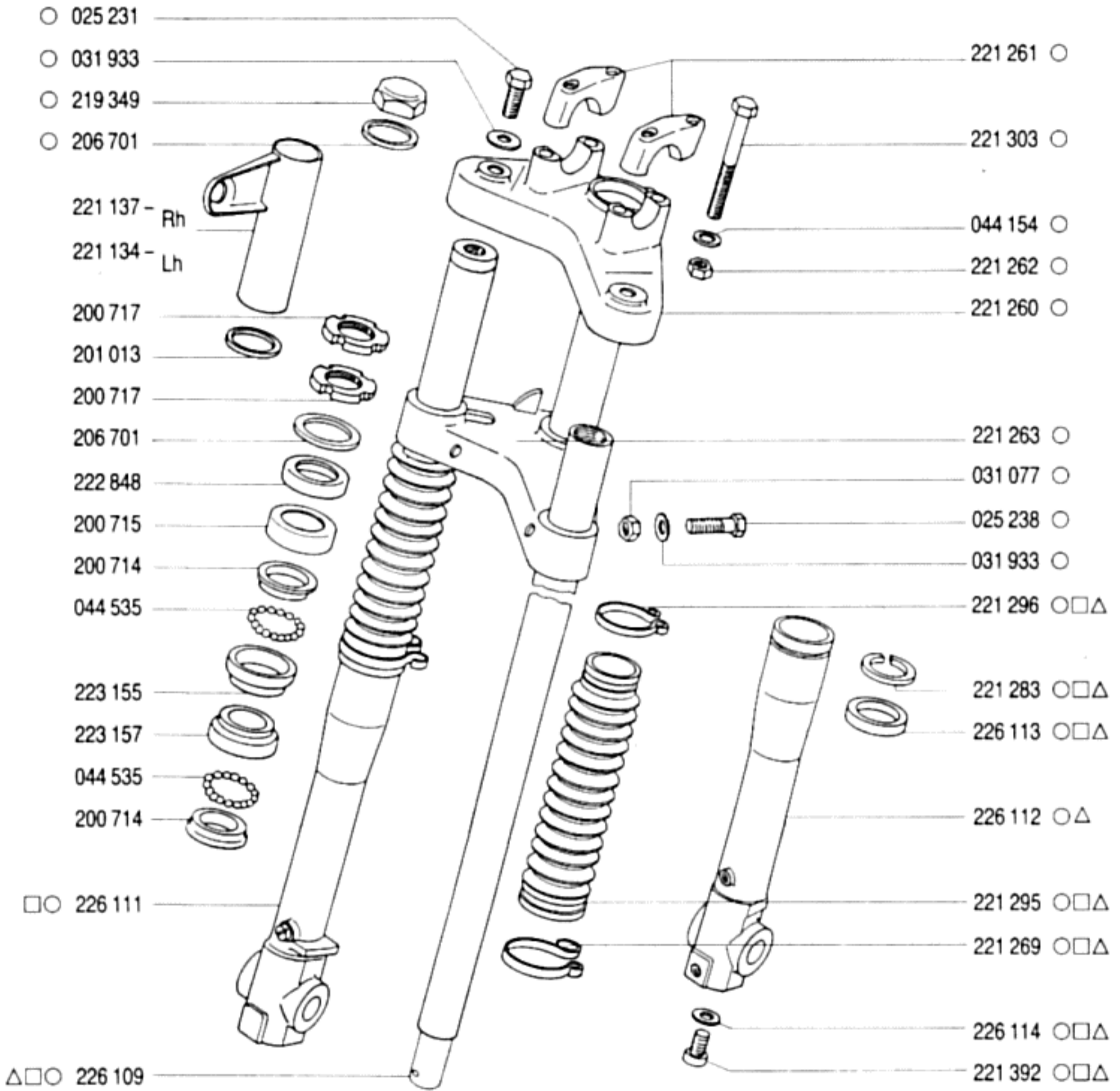
● 221 205



FRONT FORKS

K

● 226 095

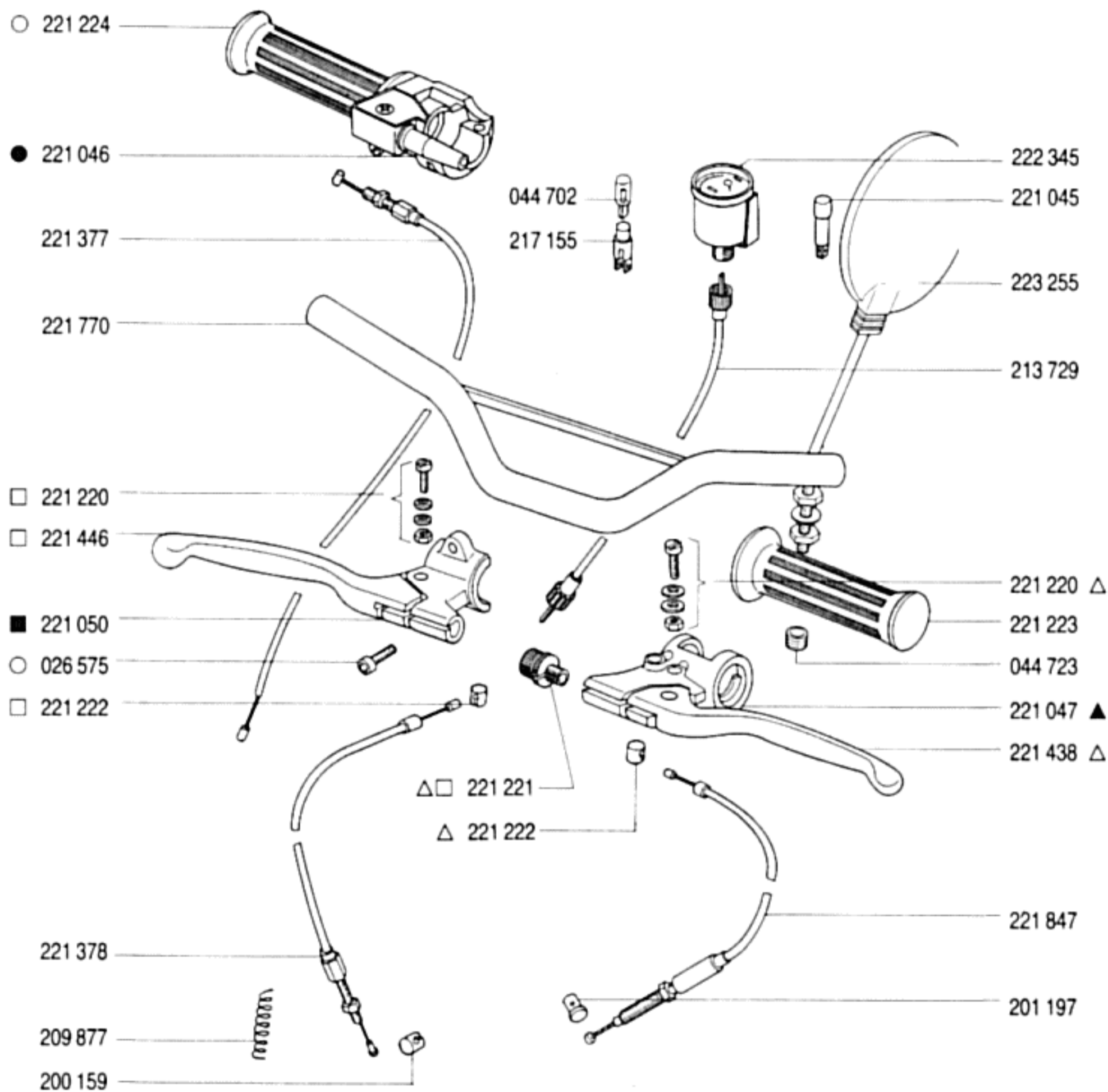


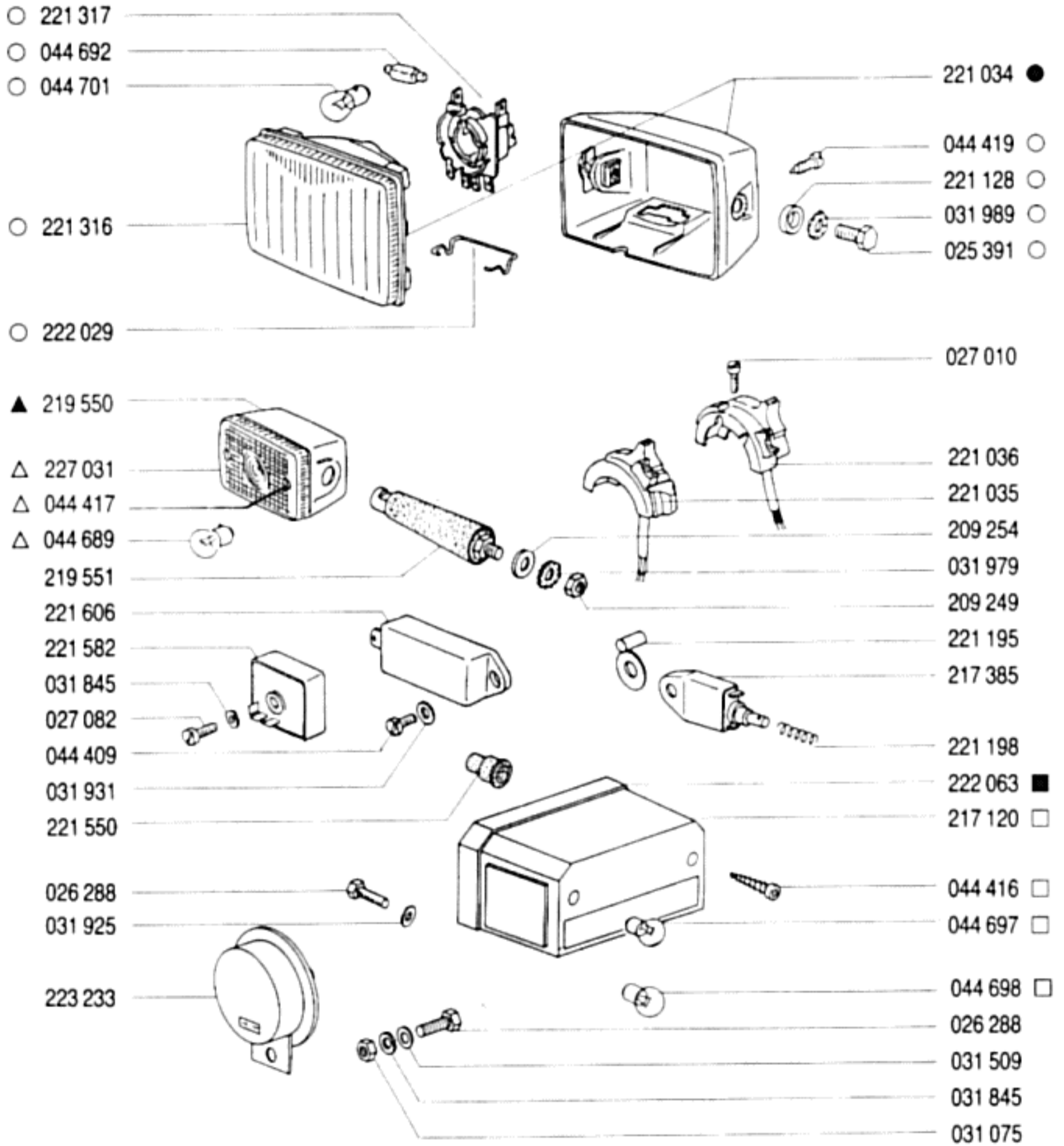
■ 226 107 - fork leg RH

▲ 226 108 - fork leg LH

HANDLEBAR, HANDLES, CABLES, SPEEDOMETER

L





221 147 - wiring harness (front)

221 553 - wiring harness (rear)